



US00D560717S

(12) **United States Design Patent** (10) **Patent No.:** **US D560,717 S**  
**Robertson et al.** (45) **Date of Patent:** **\*\* Jan. 29, 2008**

(54) **FINANCIAL TRANSACTION CARD**

(75) Inventors: **Travis M. Robertson**, Minnetonka, MN (US); **Karl Wolf**, Minneapolis, MN (US)

(73) Assignee: **Target Brands, Inc.**, Minneapolis, MN (US)

(\*\*) Term: **14 Years**

(21) Appl. No.: **29/276,559**

(22) Filed: **Jan. 29, 2007**

(51) **LOC (8) Cl.** ..... **19-08**

(52) **U.S. Cl.** ..... **D19/10**

(58) **Field of Classification Search** ..... D19/1-12, D19/65, 99, 100; D20/22, 26, 27, 42; D14/436-437; D11/79; D10/109; 235/380-382, 441-443, 235/449, 487-494; 283/72-78, 107-114, 283/904; 379/355, 354, 357, 413; 40/625, 40/626; 257/679

See application file for complete search history.

(56) **References Cited**

**U.S. PATENT DOCUMENTS**

2,177,406 A \* 10/1939 Hacker ..... 40/1.5  
3,384,984 A \* 5/1968 Field ..... 40/662  
D268,424 S \* 3/1983 Shuman ..... D20/40  
D427,167 S \* 6/2000 Iwasaki ..... D14/436

(Continued)

**FOREIGN PATENT DOCUMENTS**

WO WO 2005086721 A2 9/2005  
WO WO 2005086721 A3 9/2006

**OTHER PUBLICATIONS**

Lindahl, Kim O., et al., "Stored-Value Card with Bubble Wand," U.S. Appl. No. 11/404,367, filed Apr. 14, 2006.  
Birkeland, Matthew L., et al., "Stored-Value Card with Chemical Luminescence," U.S. Appl. No. 11/510,264, filed Aug. 25, 2006.

Halbur, Ted C., et al., "Stored-Value Card with Housed Object," U.S. Appl. No. 11/404,584, filed Apr. 14, 2006.

*Primary Examiner*—Carol Rademaker

*Assistant Examiner*—Susan E Krakower

(74) *Attorney, Agent, or Firm*—Ingrassia Fisher & Lorenz, P.C.

(57) **CLAIM**

The ornamental design for a financial transaction card, as shown and described.

**DESCRIPTION**

FIG. 1 is a front perspective view of a first embodiment of a financial transaction card showing our new design;

FIG. 2 is an exploded rear perspective view of the financial transaction card of FIG. 1;

FIG. 3 is a front view thereof;

FIG. 4 is a rear view thereof;

FIG. 5 is a right side view thereof, the left side view being a mirror image of the right side view; and

FIG. 6 is a top view thereof, the bottom view being a mirror image of the top view.

FIG. 7 is a front perspective view of a second embodiment of a financial transaction card showing our new design;

FIG. 8 is an exploded rear perspective view thereof, the oblique shade lines shown in the rectangular removed portion representing a reflective surface;

FIG. 9 is a front view thereof;

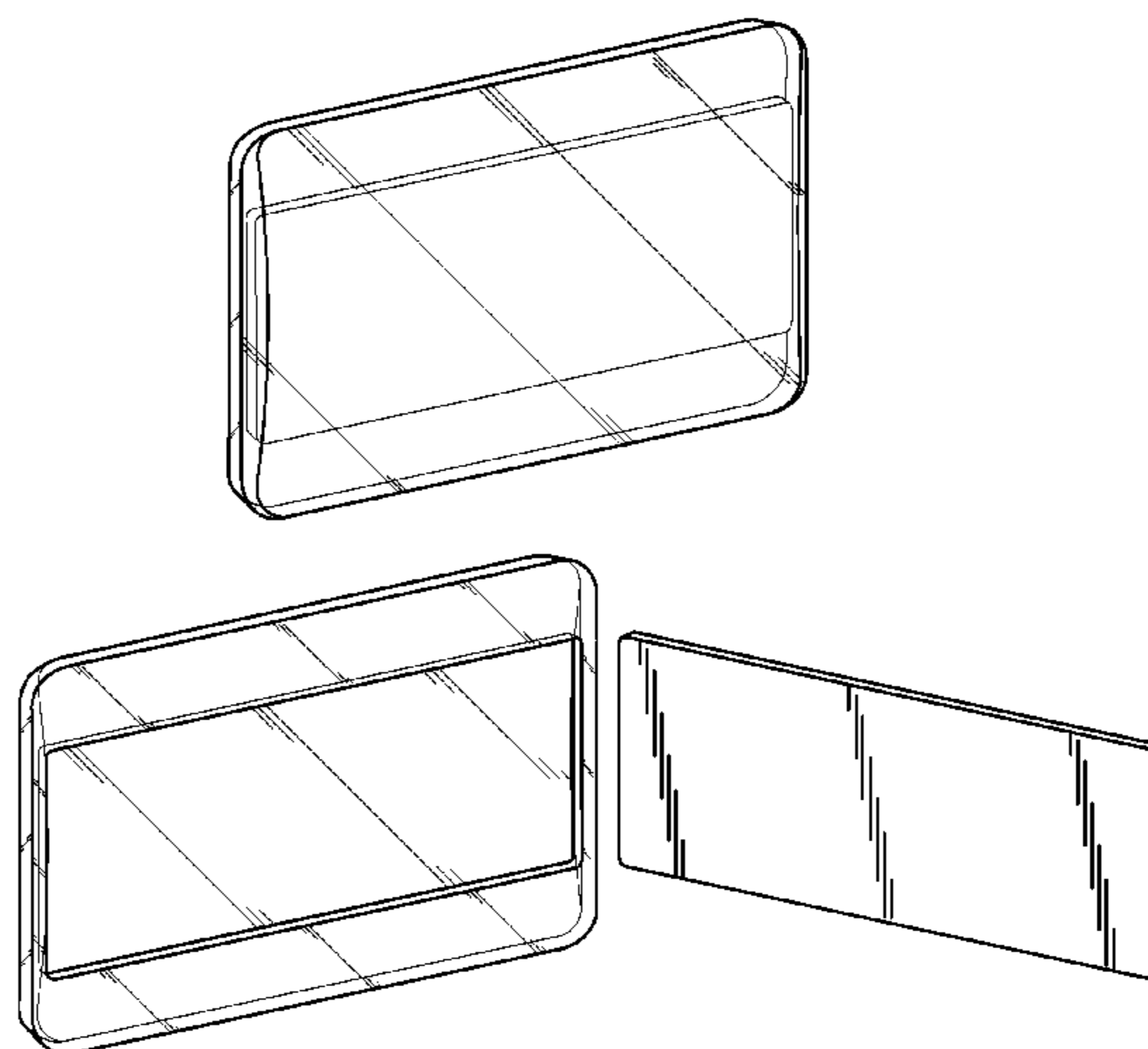
FIG. 10 is a rear side view thereof;

FIG. 11 is a right side view thereof, the left side view being a mirror image of the right side view; and,

FIG. 12 is a top view thereof, the bottom view being a mirror image of the top view.

The broken lines shown in the figures are for illustrative purposes only and form no part of the claimed design.

**1 Claim, 4 Drawing Sheets**



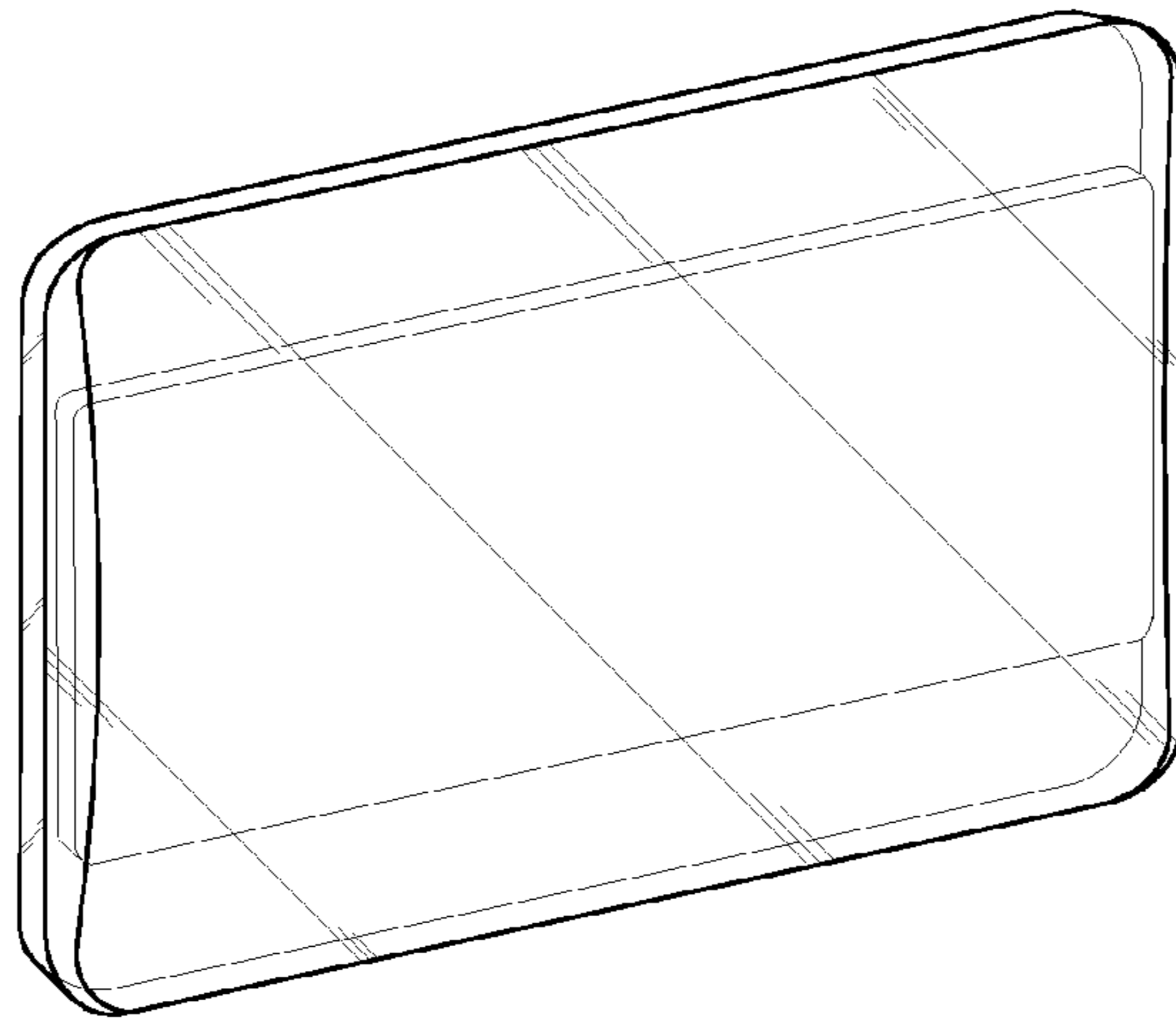
# US D560,717 S

Page 2

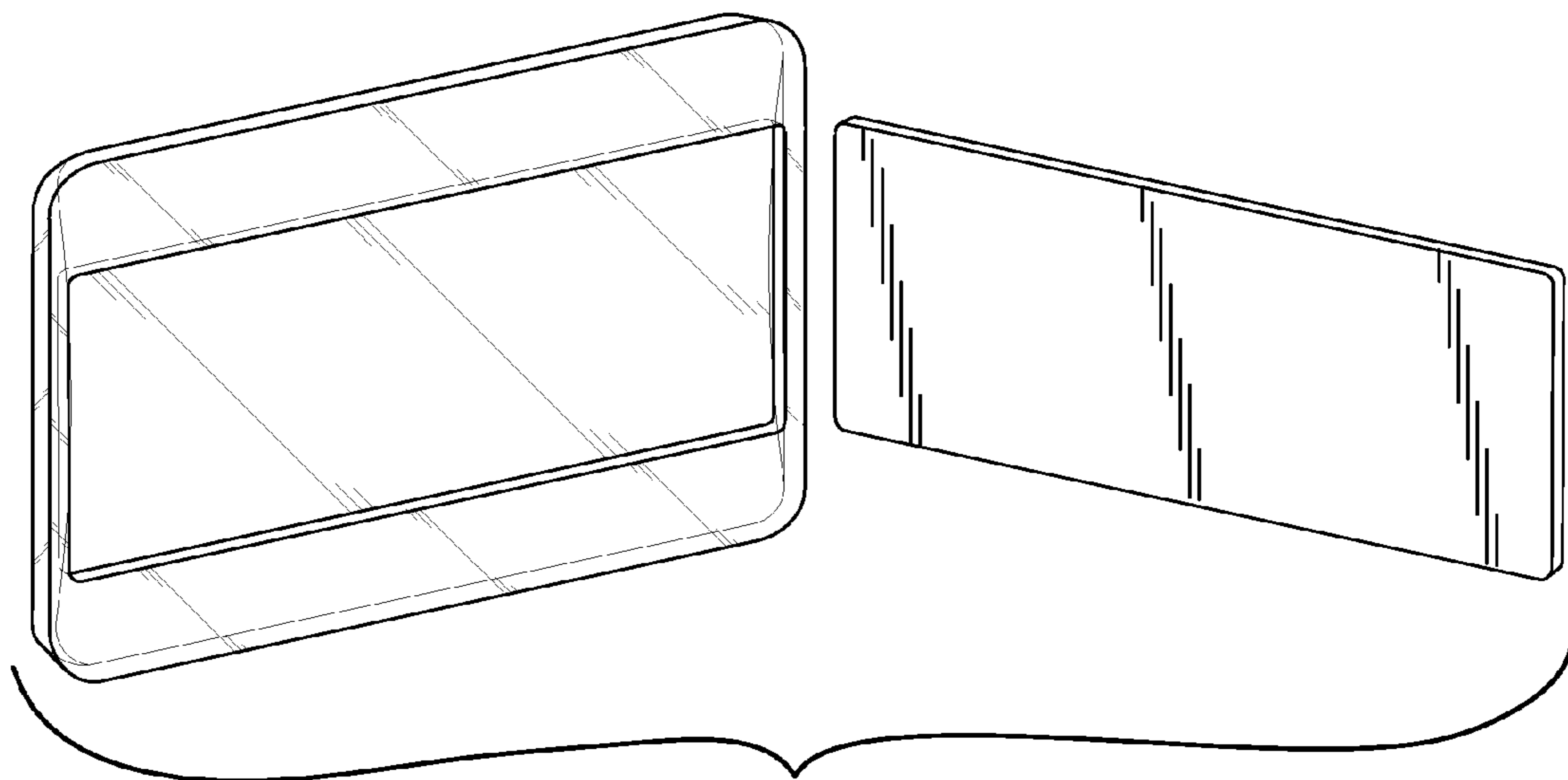
## U.S. PATENT DOCUMENTS

D436,620 S	1/2001	Webb et al.			
D438,563 S	3/2001	Webb et al.			
D442,627 S	5/2001	Webb et al.			
6,290,137 B1	9/2001	Kiekhaefer			
6,296,188 B1	10/2001	Kiekhaefer			
D462,714 S *	9/2002	Creighton .....	D19/9		
6,581,839 B1	6/2003	Lasch et al.			
D485,296 S *	1/2004	Li .....	D19/10		
6,705,530 B2	3/2004	Kiekhaefer			
6,732,936 B1	5/2004	Kiekhaefer			
6,749,123 B2	6/2004	Lasch et al.			
6,764,014 B2	7/2004	Lasch et al.			
D498,788 S *	11/2004	Lubking .....	D19/10		
D507,598 S	7/2005	Allard et al.			
D508,261 S	8/2005	Allard et al.			
D509,847 S *	9/2005	Cook et al. ....	D19/10		
D510,103 S	9/2005	Allard et al.			
D511,543 S *	11/2005	Lubking .....	D19/10		
6,986,465 B2	1/2006	Kiekhaefer			
D516,563 S *	3/2006	Hart et al. ....	D14/436		
D522,052 S *	5/2006	Lubking .....	D19/10		
D523,471 S	6/2006	Allard et al.			
D525,298 S	7/2006	Allard et al.			
D525,653 S	7/2006	Allard et al.			
7,070,112 B2	7/2006	Beenau et al.			
D526,013 S	8/2006	Allard et al.			
D526,014 S	8/2006	Allard et al.			
D526,015 S	8/2006	Allard et al.			
D530,926 S *	10/2006	Sellers .....	D6/300		
2004/0118930 A1	6/2004	Berardi et al.			
2005/0040242 A1	2/2005	Beenau et al.			

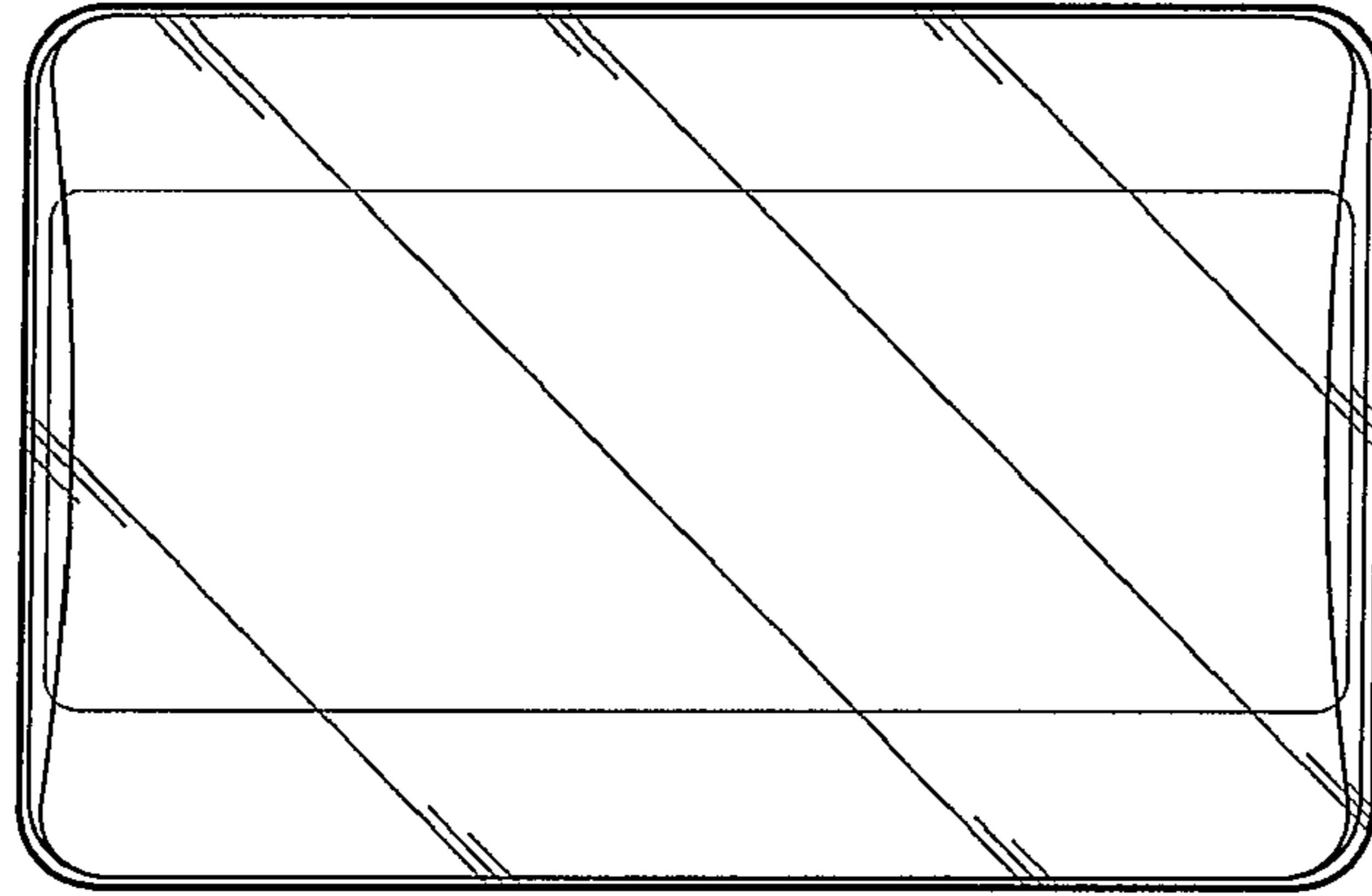
\* cited by examiner



*FIG. 1*



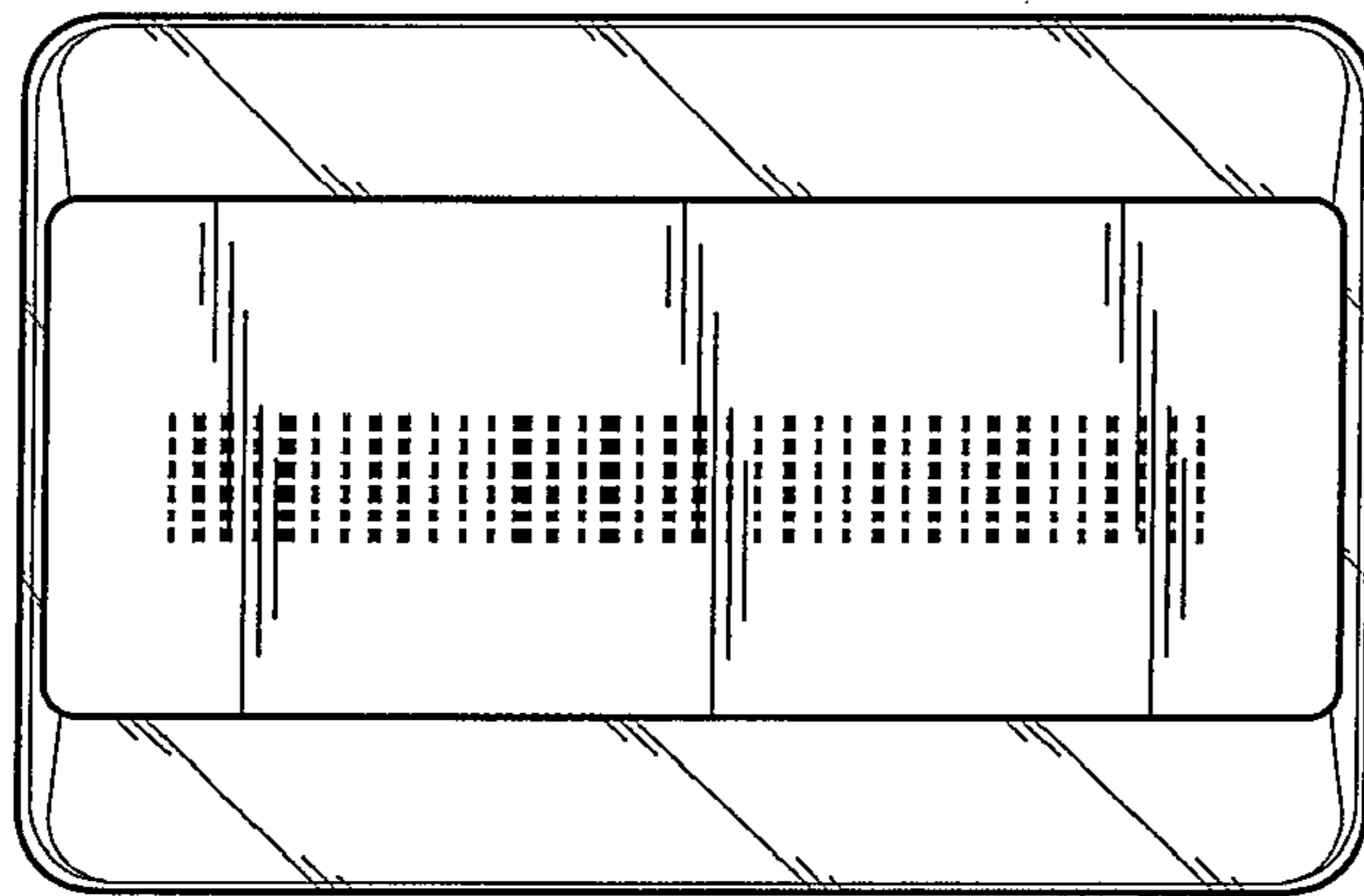
*FIG. 2*



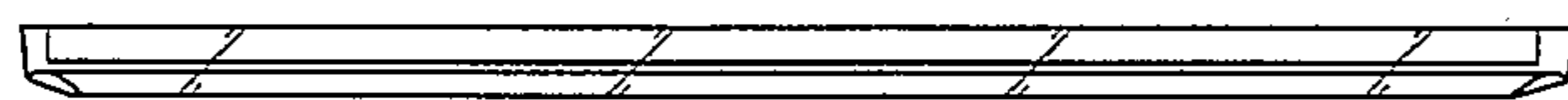
*FIG. 3*



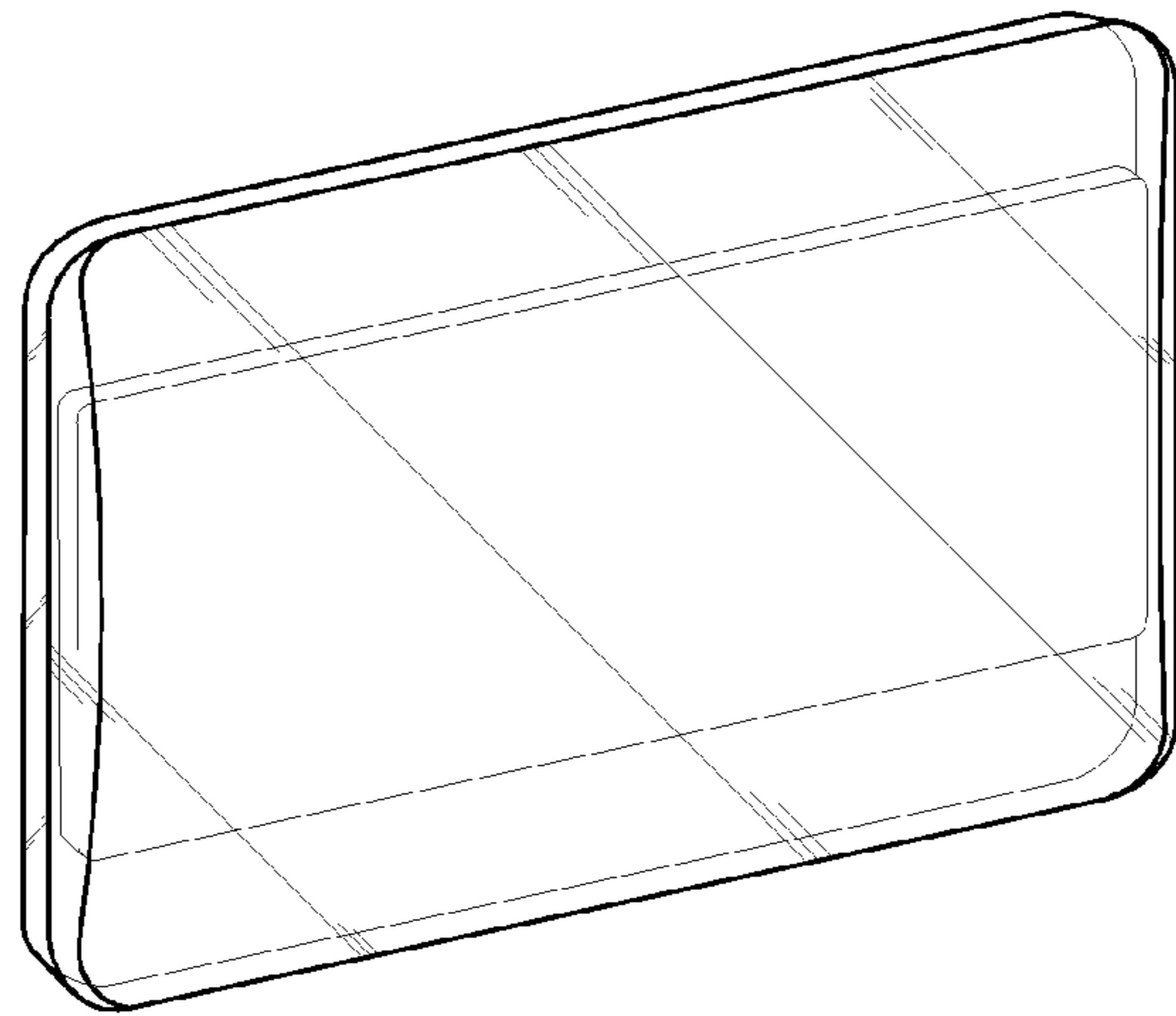
*FIG. 5*



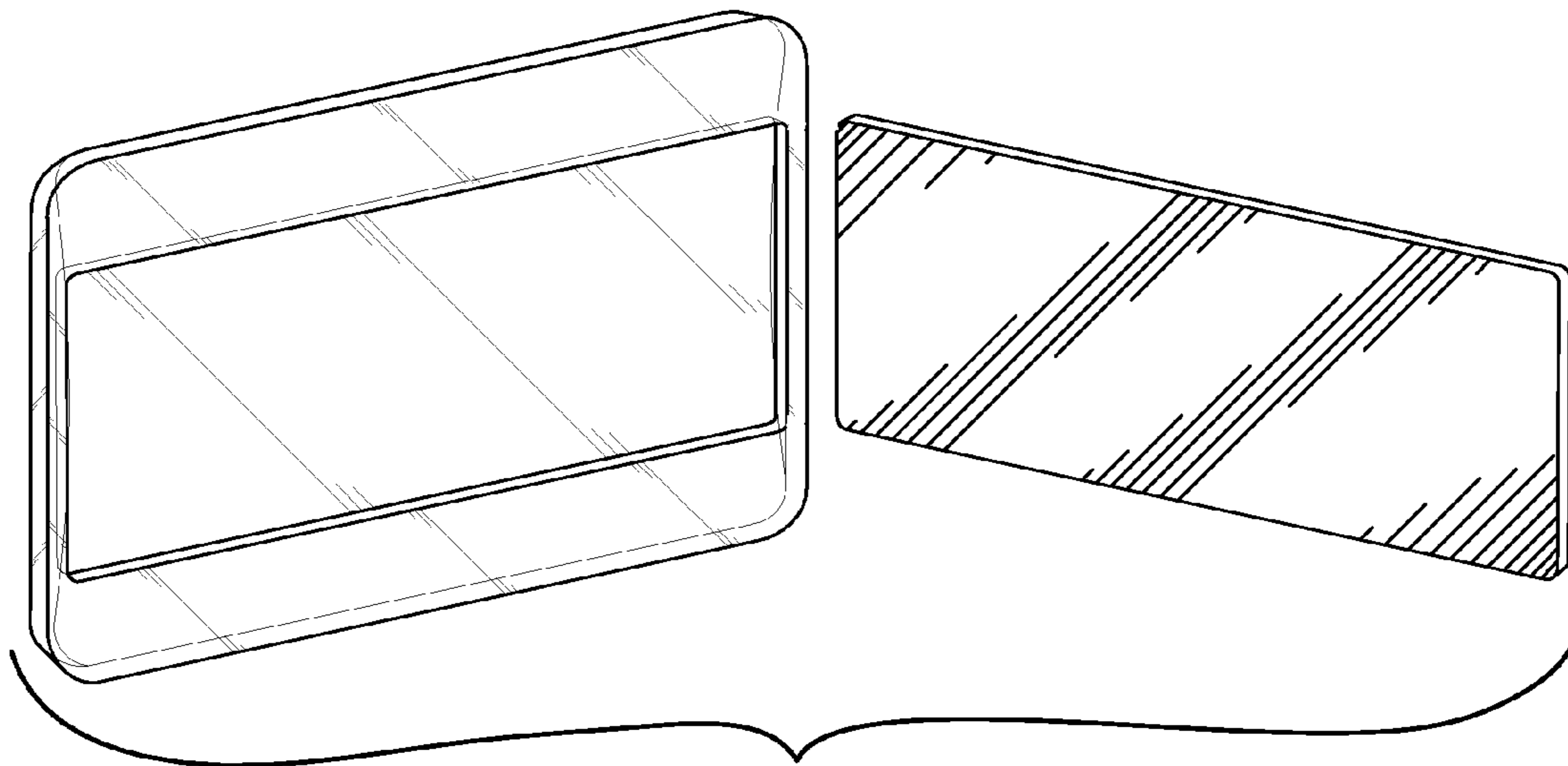
*FIG. 4*



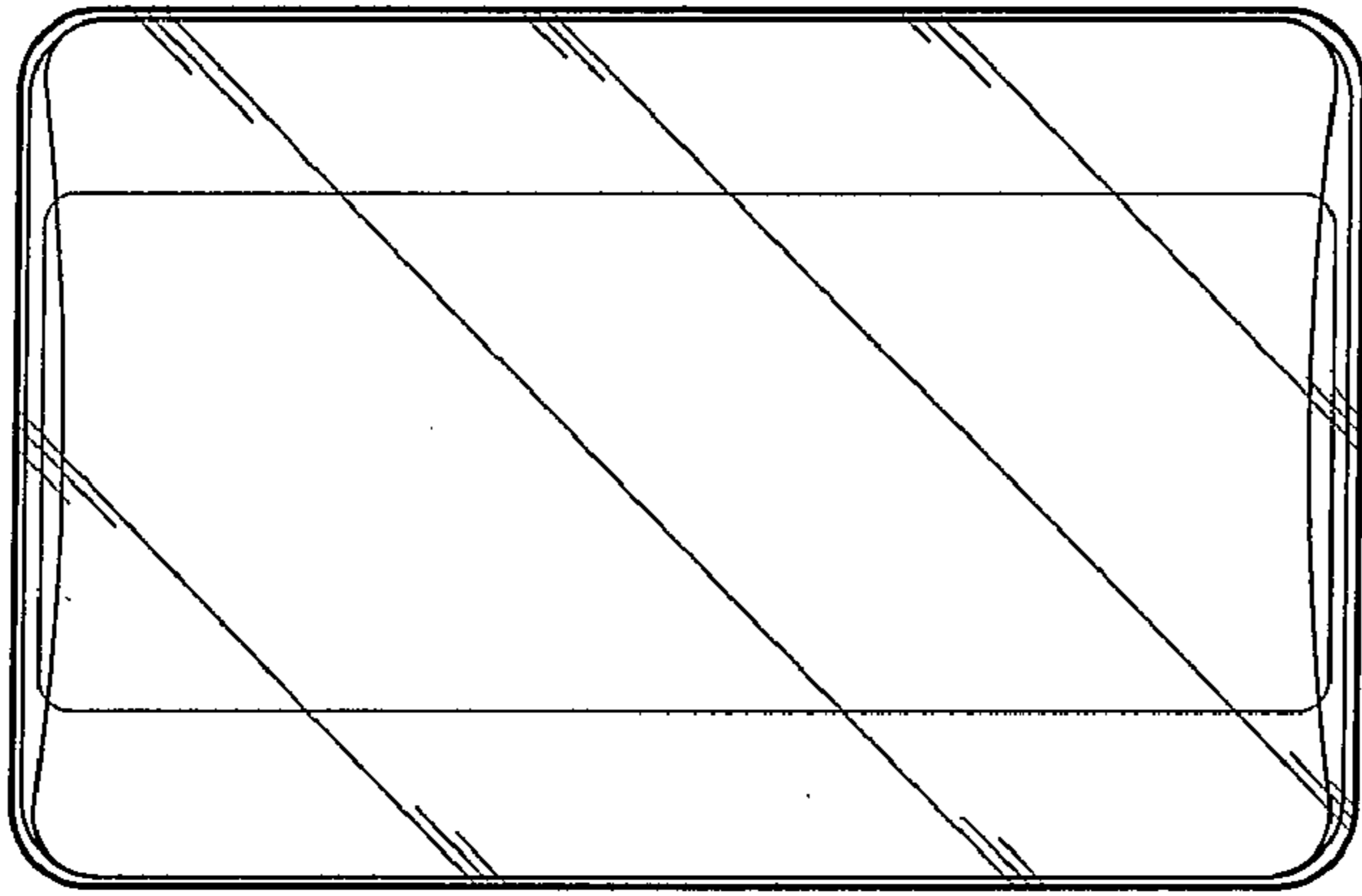
*FIG. 6*



*FIG. 7*



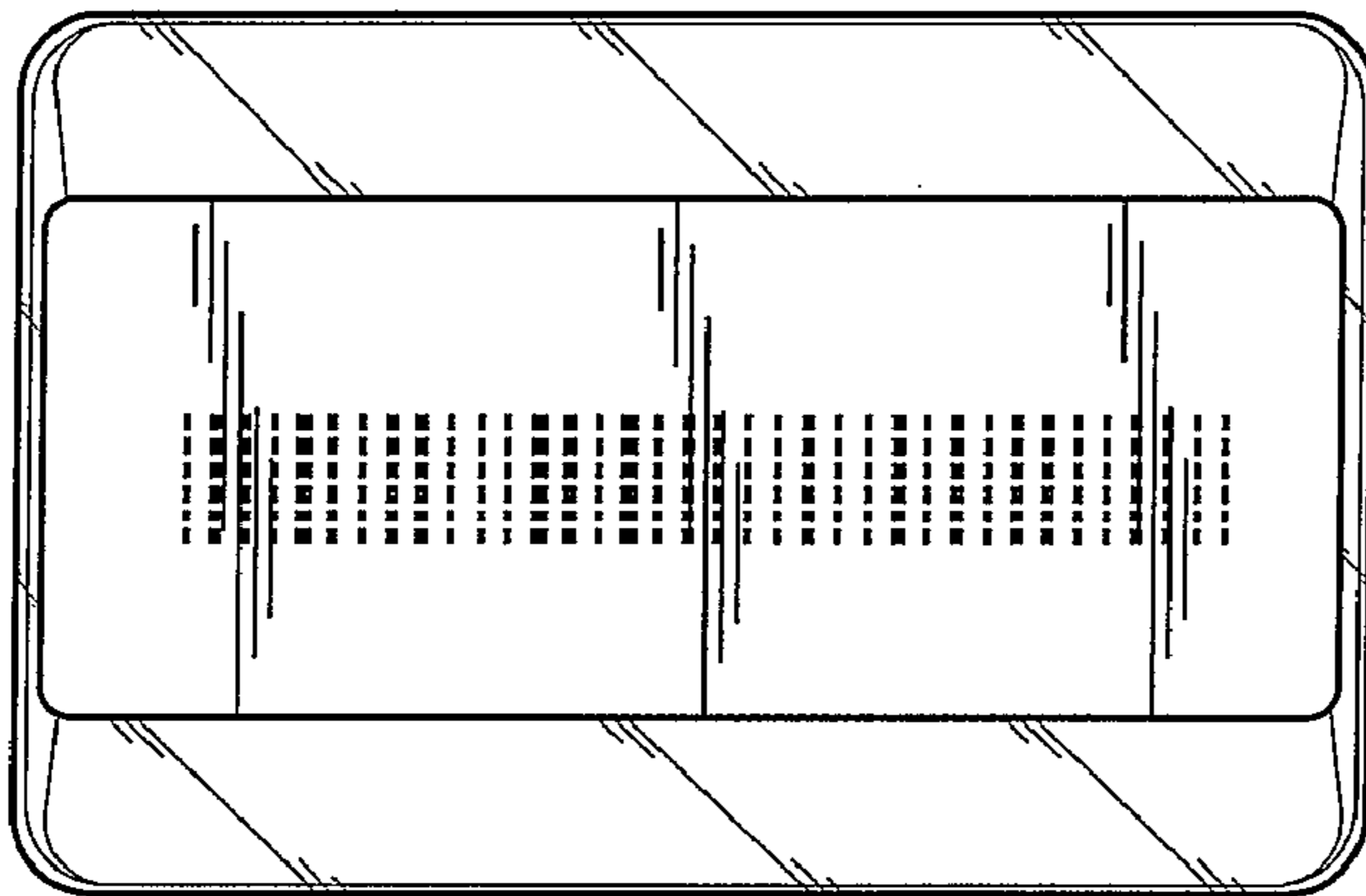
*FIG. 8*



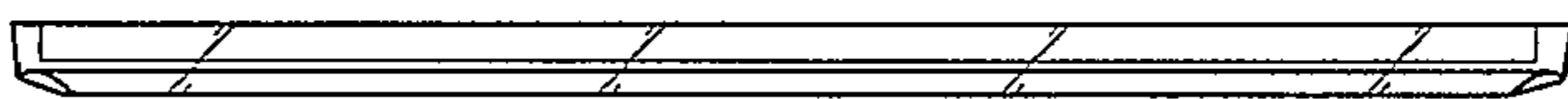
*FIG. 9*



*FIG. 11*



*FIG. 10*



*FIG. 12*