



US00D560715S

(12) **United States Design Patent**  
**Hogg**

(10) **Patent No.:** **US D560,715 S**

(45) **Date of Patent:** **\*\* Jan. 29, 2008**

(54) **TRANSACTION CARD**

(76) **Inventor:** **Jason J. Hogg**, 290 Sickletown Rd.,  
Orangeburg, NY (US) 10962

(\*\*) **Term:** **14 Years**

(21) **Appl. No.:** **29/265,738**

(22) **Filed:** **Sep. 6, 2006**

(51) **LOC (8) Cl.** ..... **19-08**

(52) **U.S. Cl.** ..... **D19/9; D19/10**

(58) **Field of Classification Search** ..... D19/1-12,  
D19/65, 99, 100; 235/380-382, 441-443,  
235/449, 487-494; 283/72-78, 107-114,  
283/904; 379/355, 354, 357, 413; D20/10,  
D20/22-27, 40, 42; D14/436-437  
See application file for complete search history.

(56) **References Cited**

**U.S. PATENT DOCUMENTS**

D27,251 S *	6/1897	Fanwell	.....	D19/9
D217,318 S *	4/1970	Walldorf	.....	D20/43
D318,067 S *	7/1991	McCormick	.....	D19/9
D337,132 S *	7/1993	Hinkeldey	.....	D20/27
D377,667 S *	1/1997	DeArkland	.....	D20/22
D393,660 S *	4/1998	Gibson	.....	D20/22
D403,709 S *	1/1999	Norwood	.....	D20/42
D424,539 S *	5/2000	Shiroki	.....	D14/436
D451,554 S *	12/2001	Fasano	.....	D20/22
D453,337 S *	2/2002	Pentz et al.	.....	D14/436

D453,338 S *	2/2002	Pentz et al.	.....	D14/436
D511,543 S *	11/2005	Lubking	.....	D19/10
D515,140 S *	2/2006	Li	.....	D20/27

\* cited by examiner

*Primary Examiner*—Stella M. Reid

*Assistant Examiner*—Susan E Krakower

(74) *Attorney, Agent, or Firm*—Merchant & Gould P.C.

(57) **CLAIM**

The ornamental design for a transaction card, as shown and described.

**DESCRIPTION**

The transaction card shown herein may be used in credit card transactions, debit card transactions, pre-paid card transactions, stored-value card transactions, data acquisition transactions, and the like.

FIG. 1 is a perspective view of the transaction card showing my new design;

FIG. 2 is a top plan view, the bottom plan view being identical thereto;

FIG. 3 is a front elevational view, the rear elevational view being identical thereto; and,

FIG. 4 is a side elevational view, the opposite side elevational view being identical thereto.

**1 Claim, 1 Drawing Sheet**

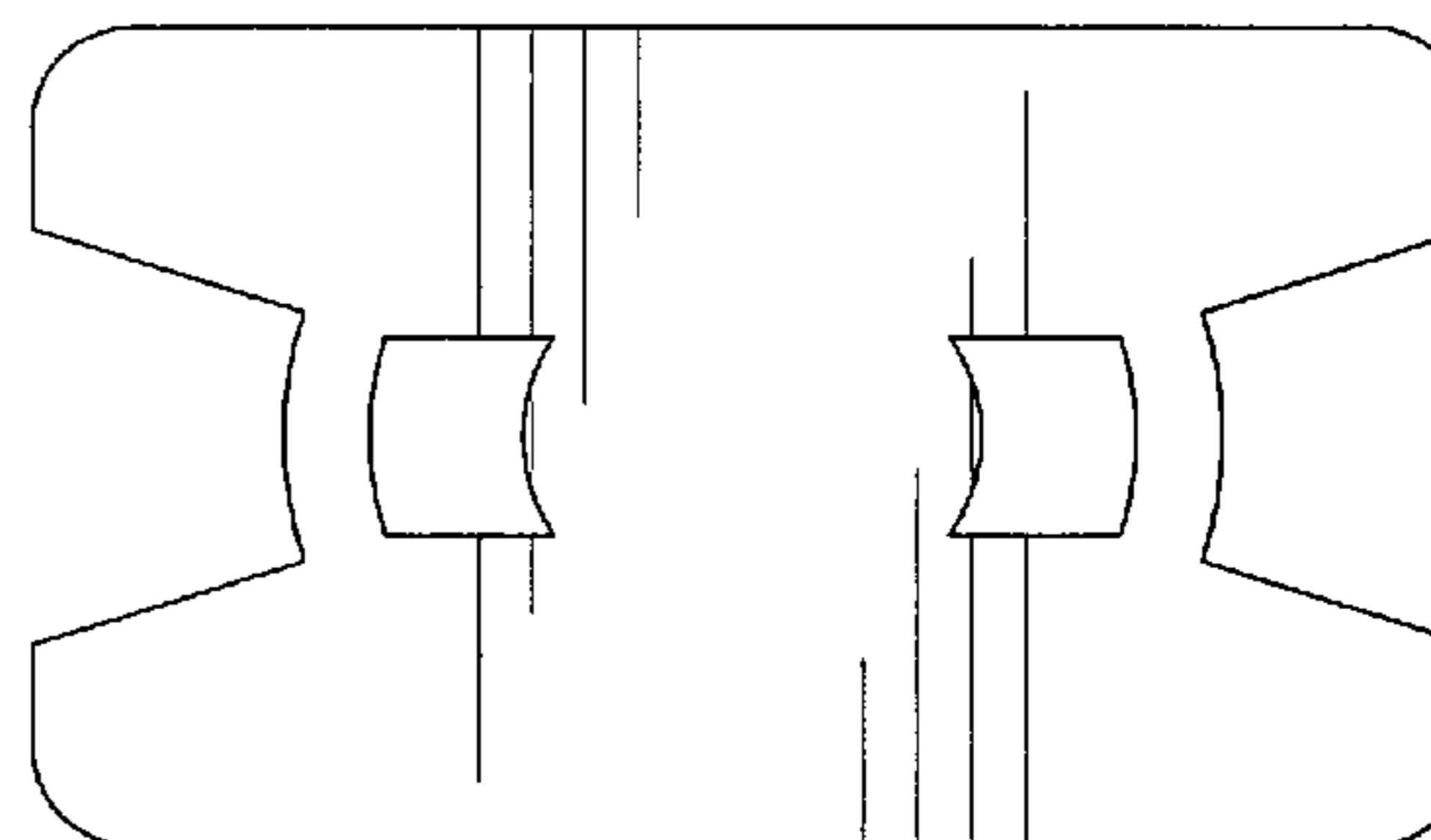
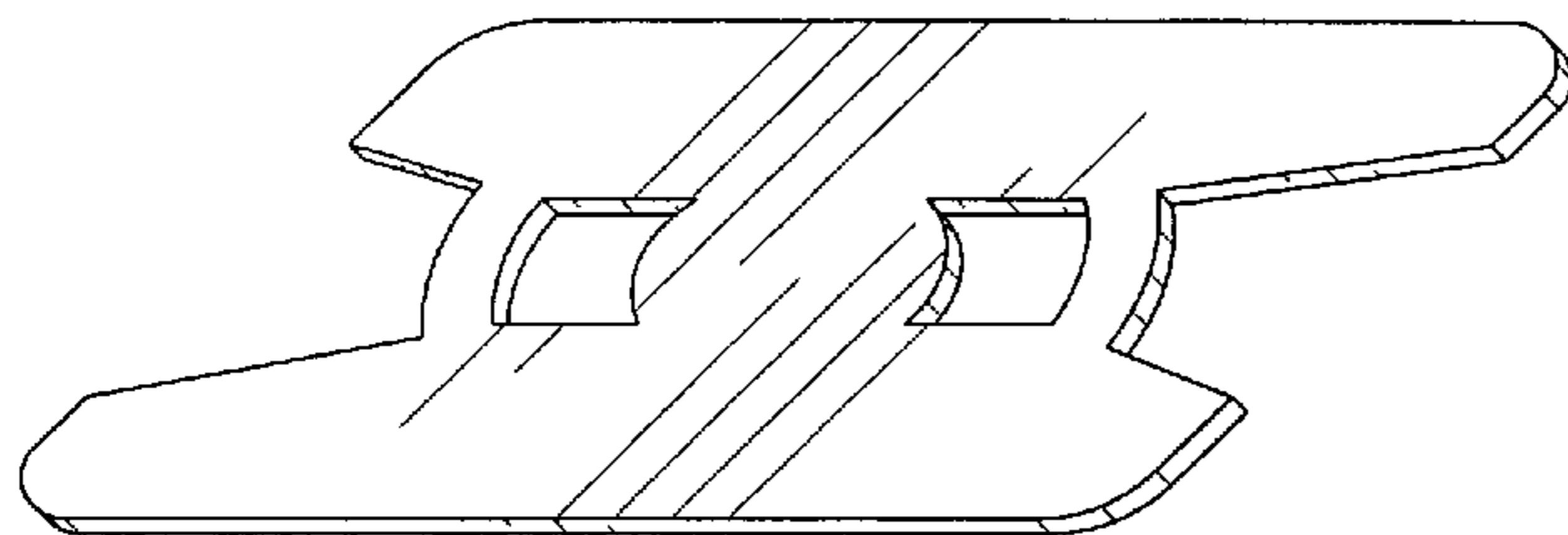


FIG.1

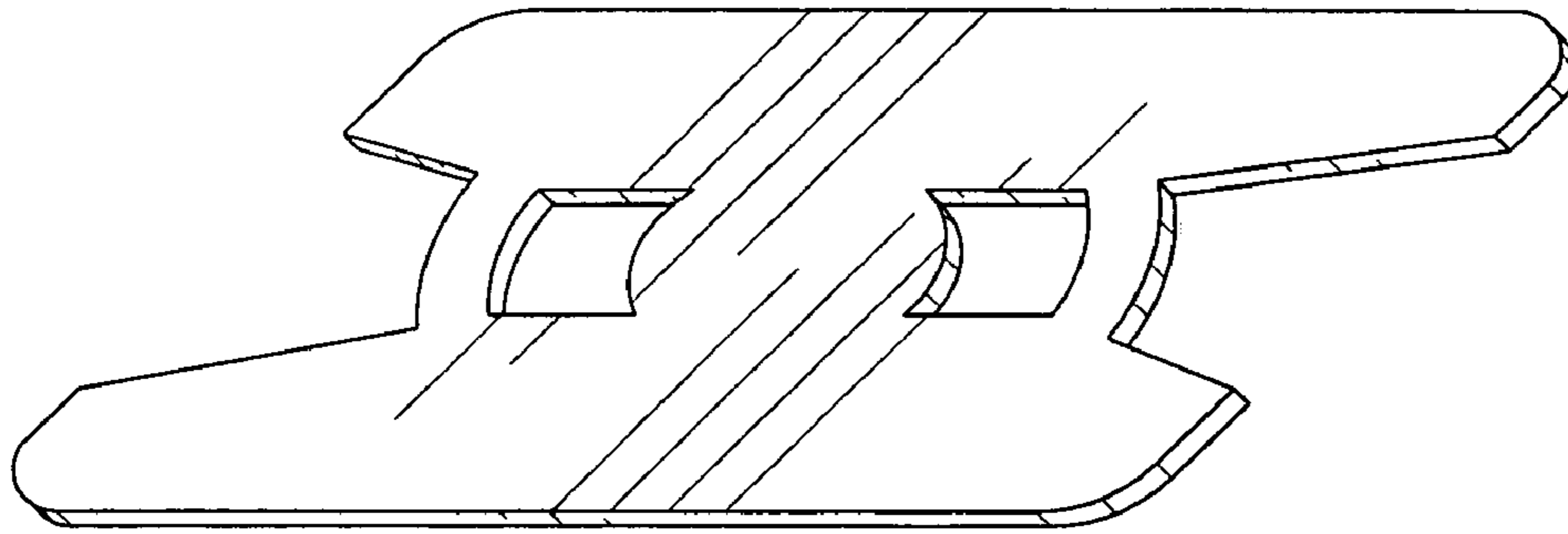


FIG.2

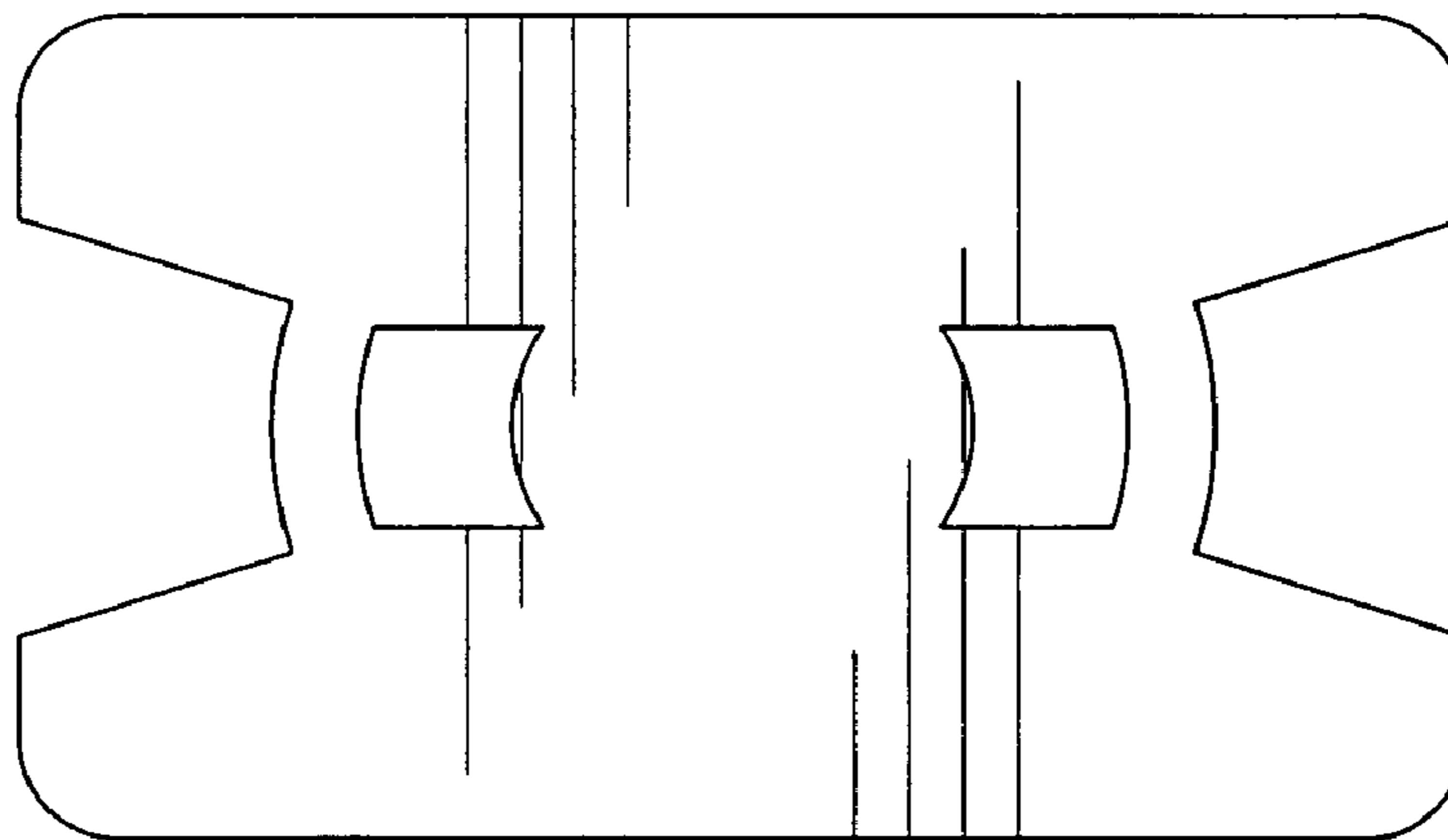


FIG.3

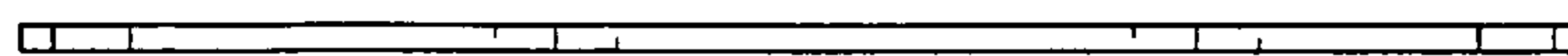


FIG.4

