



US00D560714S

(12) **United States Design Patent**  
**Hattori**

(10) **Patent No.:** **US D560,714 S**

(45) **Date of Patent:** **\*\* Jan. 29, 2008**

(54) **PRINTER**

(75) Inventor: **Mitsuharu Hattori**, Nagoya (JP)

(73) Assignee: **Brother Industries, Ltd.**, Nagoya (JP)

(\*\*) Term: **14 Years**

(21) Appl. No.: **29/261,327**

(22) Filed: **Jun. 13, 2006**

(30) **Foreign Application Priority Data**

Dec. 13, 2005 (JP) ..... 2005-036712

(51) **LOC (8) Cl.** ..... **18-02**

(52) **U.S. Cl.** ..... **D18/50**

(58) **Field of Classification Search** ..... D18/56,  
D18/55, 50, 4.3, 12.3, 36-41, 43, 44, 46-49,  
D18/14, 18, 21, 51, 54, 54.1, 58, 34.1, 34.9,  
D18/35, 35.1, 99; D16/246-248; D14/420-425,  
D14/462-470; 399/107

See application file for complete search history.

(56) **References Cited**

**U.S. PATENT DOCUMENTS**

1,570,368 A \* 1/1926 Zeh ..... 428/78  
2,236,801 A \* 4/1941 McDonald ..... 285/61  
2,871,285 A \* 1/1959 Fouse et al. .... 174/72 B  
3,020,333 A \* 2/1962 Bangert et al. .... 174/94 R

4,261,550 A \* 4/1981 Gregory ..... 256/67  
4,593,507 A \* 6/1986 Hartman ..... 52/220.4  
D370,058 S \* 5/1996 Bostrom ..... D23/315  
5,599,208 A \* 2/1997 Ward ..... 439/620.09  
D391,583 S \* 3/1998 Moreno ..... D15/29  
5,856,035 A \* 1/1999 Khandkar et al. .... 429/32  
D406,364 S \* 3/1999 Robert et al. .... D25/199  
6,058,016 A \* 5/2000 Anderson et al. .... 361/727  
D529,950 S \* 10/2006 Katayama et al. .... D18/50  
2002/0008610 A1 \* 1/2002 Peterson ..... 340/5.64

\* cited by examiner

*Primary Examiner*—Robert M. Spear

*Assistant Examiner*—Anna K Dworzecka

(74) *Attorney, Agent, or Firm*—Olliff & Berridge, PLC

(57) **CLAIM**

The ornamental design for a printer, as shown and described.

**DESCRIPTION**

FIG. 1 is a perspective view of a printer;

FIG. 2 is a front view thereof;

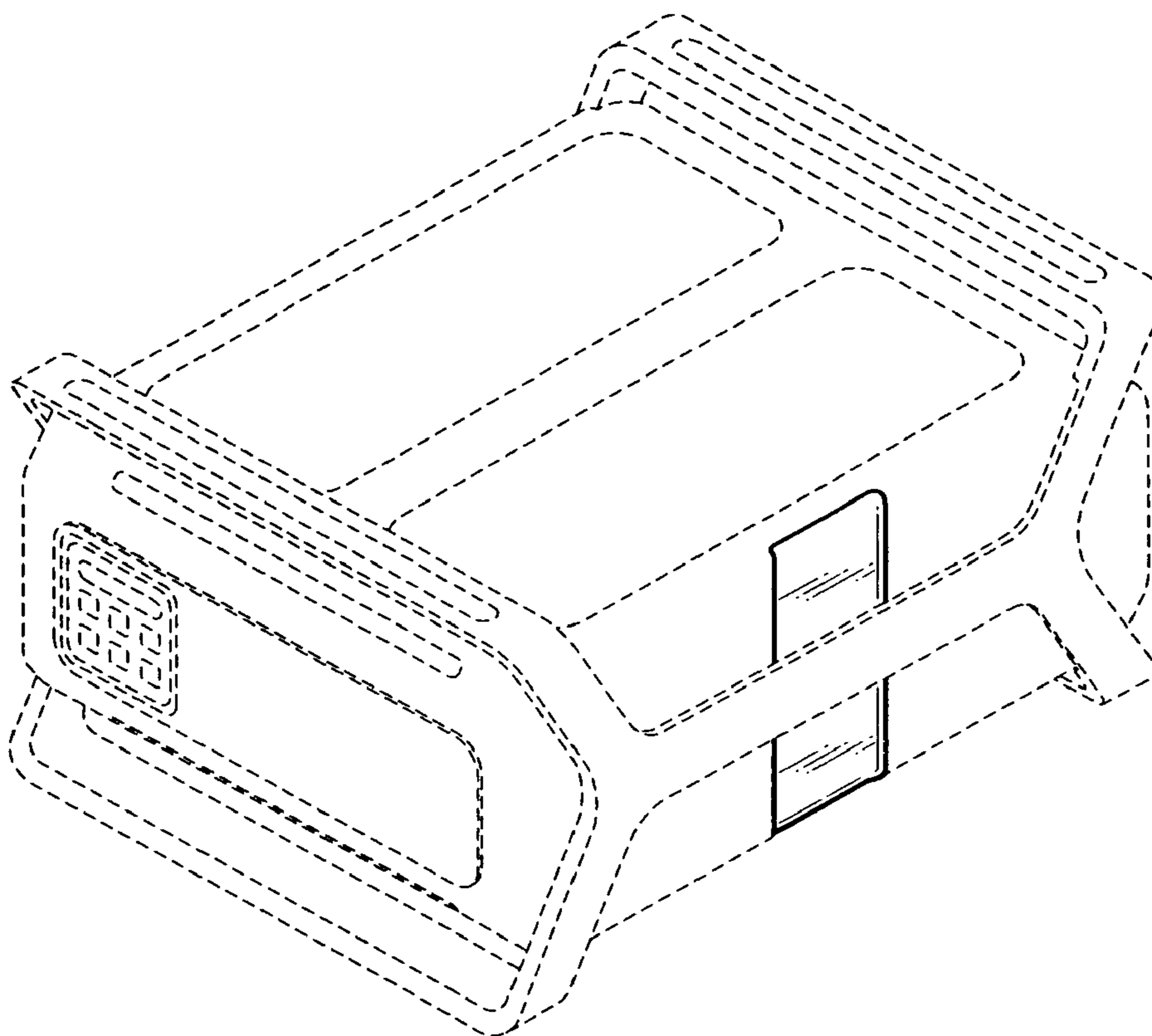
FIG. 3 is a top view thereof;

FIG. 4 is a rear view thereof; and,

FIG. 5 is a bottom view thereof.

The broken lines are for illustrative purposes only and form no part of the claimed design.

**1 Claim, 3 Drawing Sheets**



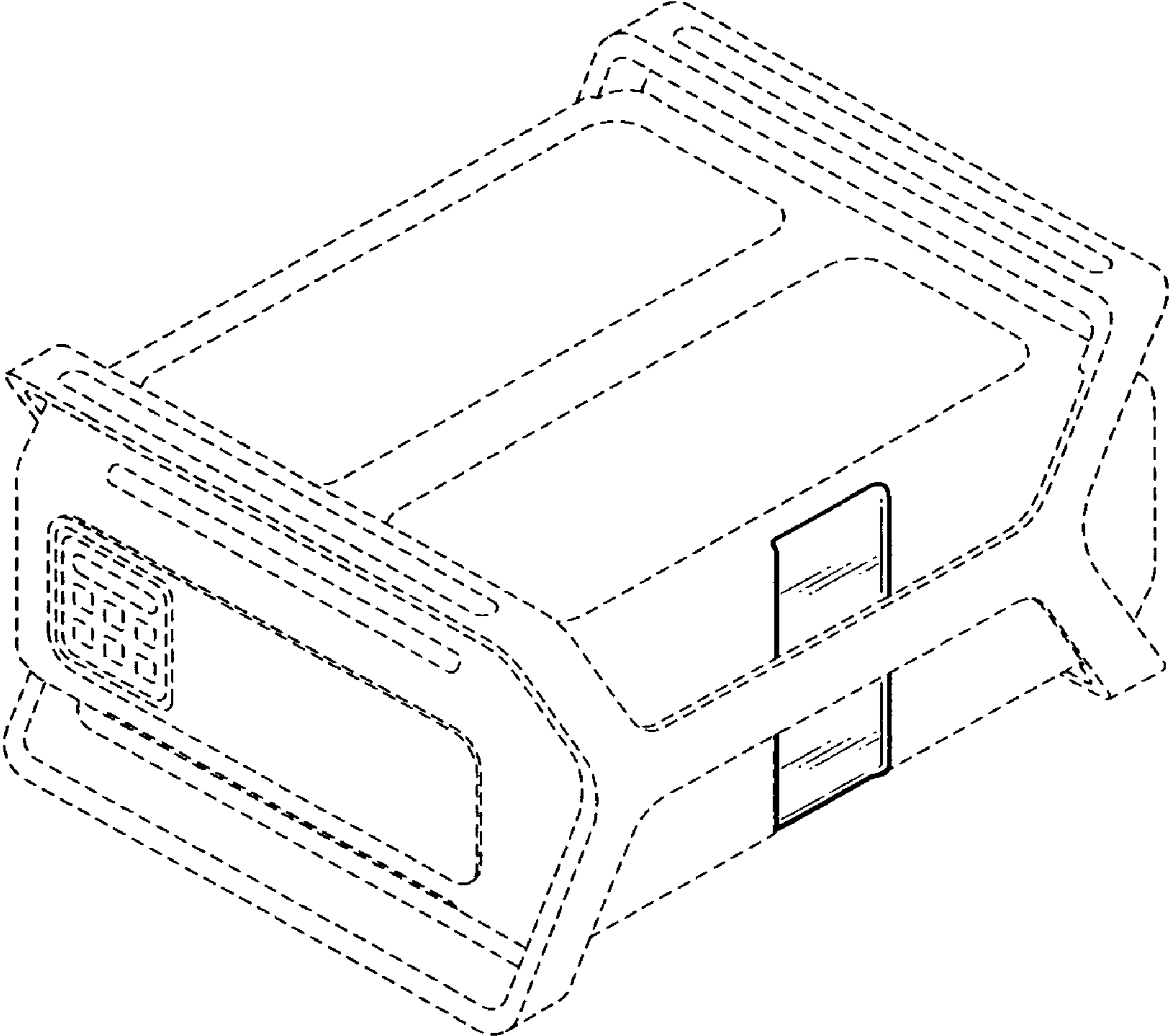


FIG. 1

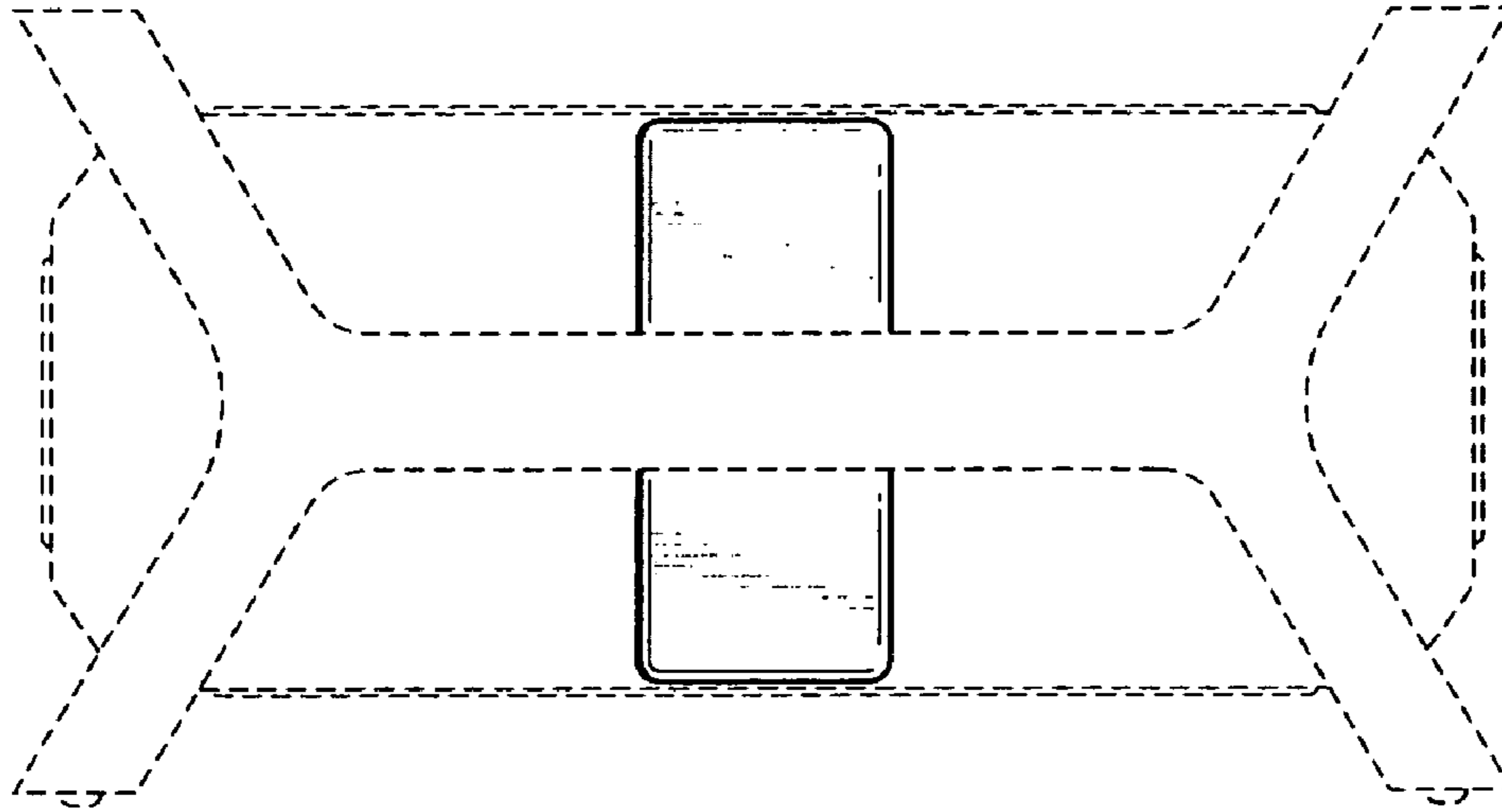


FIG. 2

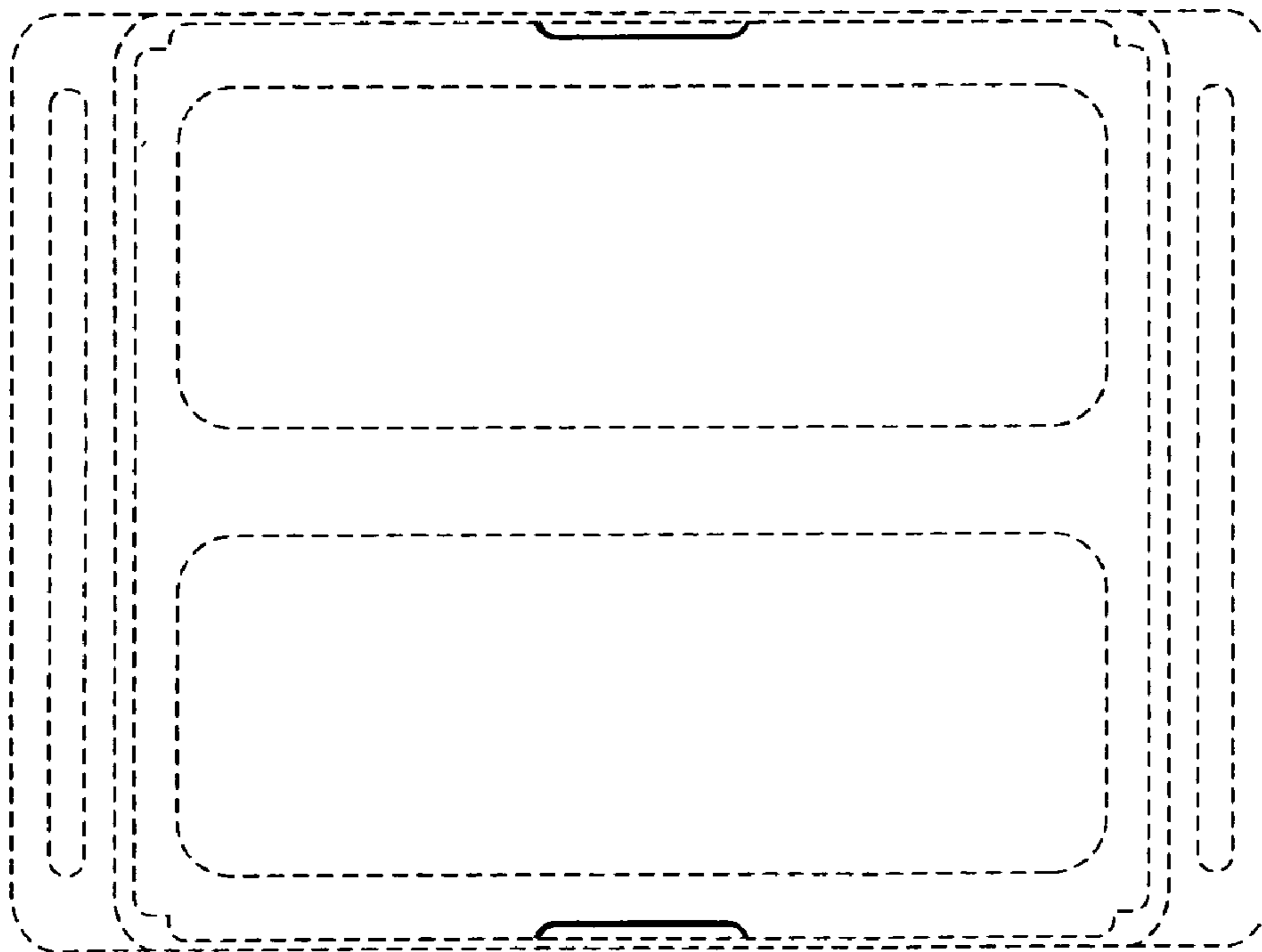


FIG. 3

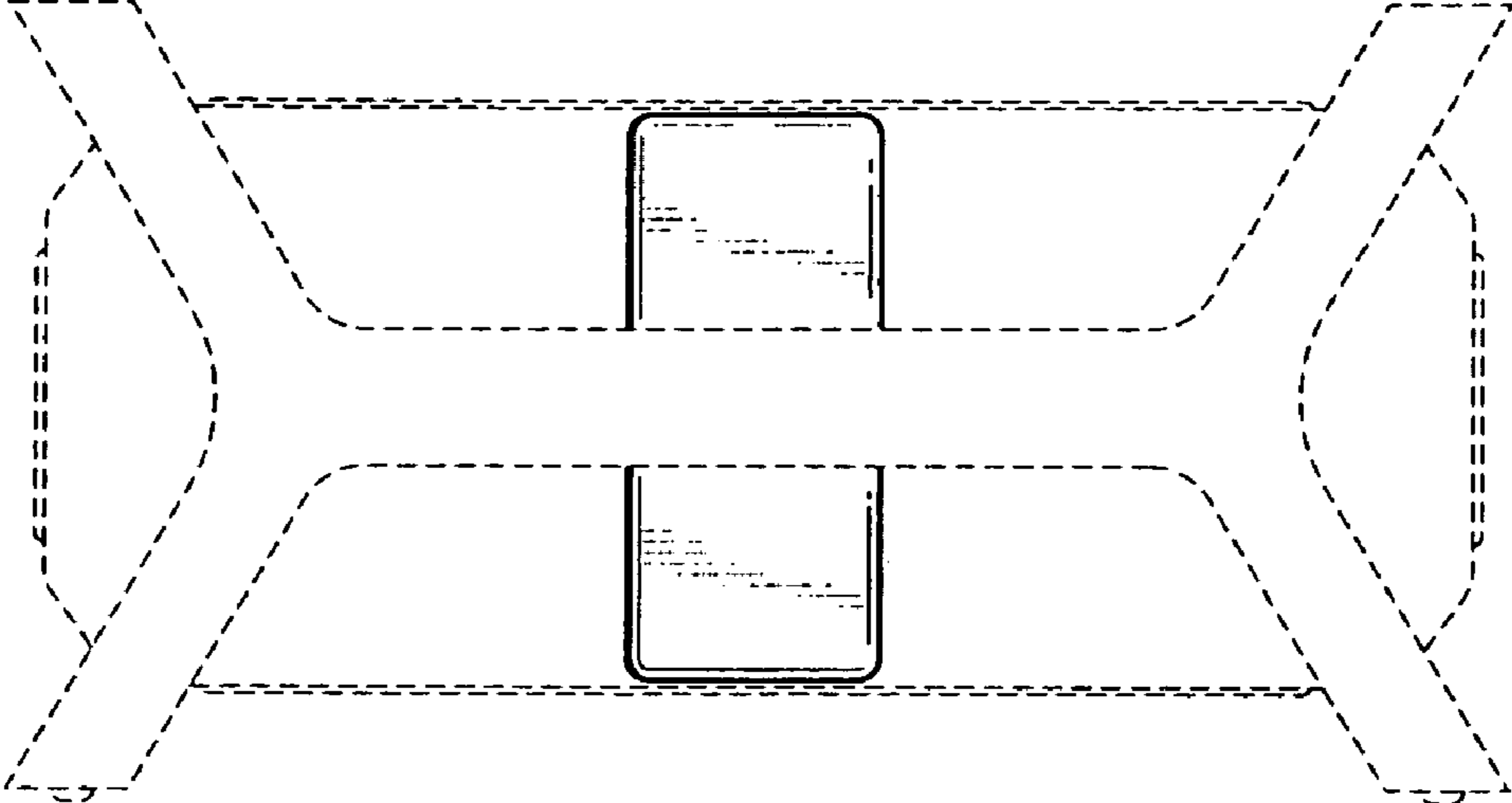


FIG. 4

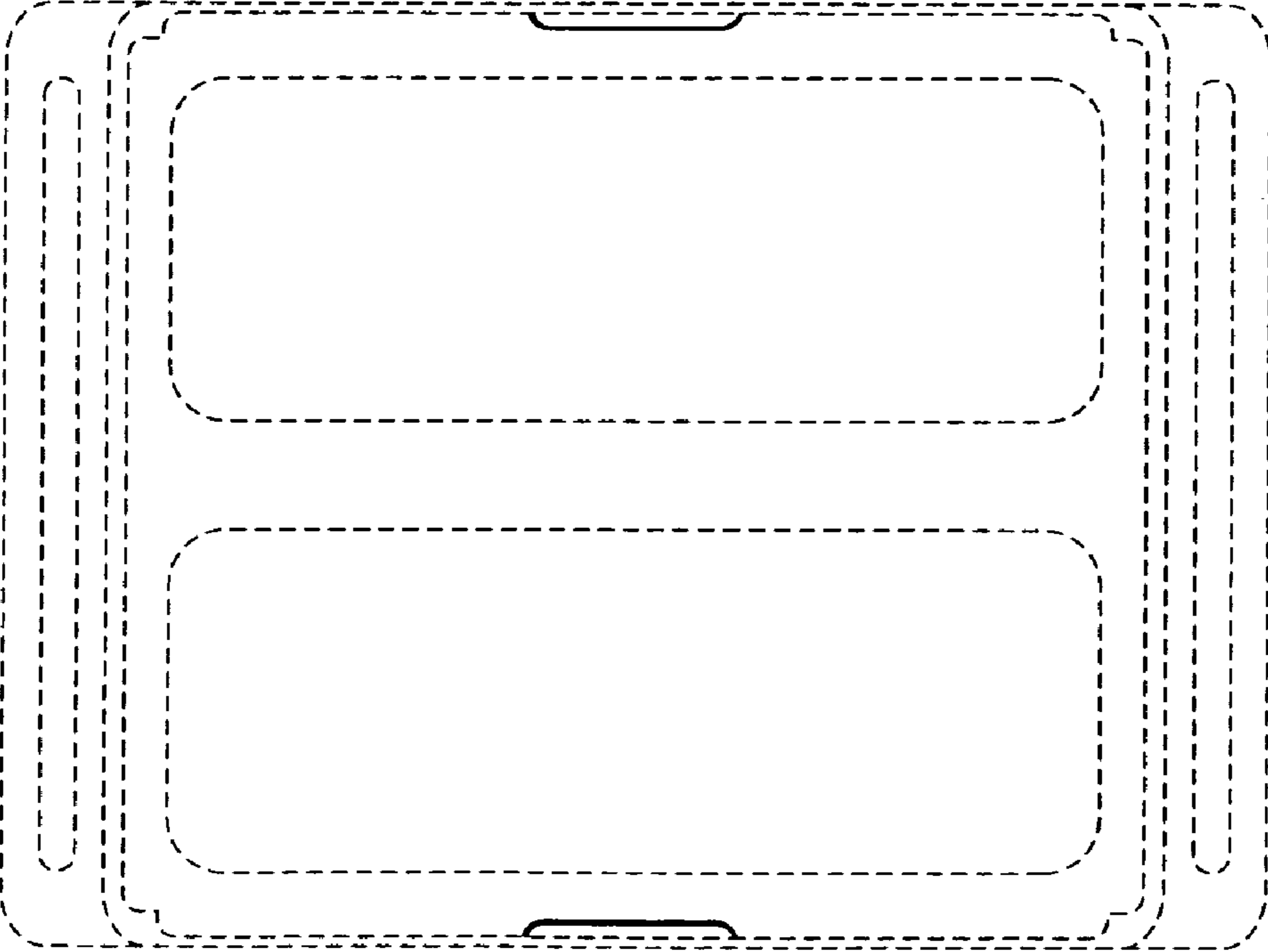


FIG. 5