



US00D560713S

(12) **United States Design Patent** (10) **Patent No.:** **US D560,713 S**
Blaine et al. (45) **Date of Patent:** **** Jan. 29, 2008**

(54) **LASER PRINTER CARTRIDGE**

(75) Inventors: **David Clay Blaine**, Dry Ridge, KY (US); **James Anthony Carter, II**, Lexington, KY (US); **Thomas Eugene Pangburn**, Winchester, KY (US); **Dennis Matthew Puhalla**, Cincinnati, OH (US); **Matthew Lee Rogers**, Lexington, KY (US)

D460,980 S * 7/2002 Matsuzaki et al. D18/40
D461,492 S 8/2002 Bishop et al.
D463,819 S 10/2002 Siekmann
6,771,922 B2 8/2004 Blanck et al.
7,068,954 B1 * 6/2006 Miller 399/111
7,136,607 B1 * 11/2006 Miller 399/107
7,149,467 B2 * 12/2006 Stickler et al. 399/107
7,177,567 B2 * 2/2007 Miller 399/27
2004/0234293 A1 * 11/2004 Karakama et al. 399/111
2005/0036796 A1 * 2/2005 Burchette et al. 399/27
2006/0188275 A1 * 8/2006 Burchette et al. 399/27

(73) Assignee: **Lexmark International**, Lexington, KY (US)

* cited by examiner

(**) Term: **14 Years**

Primary Examiner—Robert M. Spear
Assistant Examiner—Garth Rademaker

(21) Appl. No.: **29/253,431**

(74) *Attorney, Agent, or Firm*—Steven J. Grossman, Esq.

(22) Filed: **Feb. 6, 2006**

(57) **CLAIM**

(51) **LOC (8) Cl.** **16-03**
(52) **U.S. Cl.** **D18/43**
(58) **Field of Classification Search** D14/462,
D14/469–471; D18/12, 46, 40, 43, 44, 56;
222/DIG. 1; 347/197, 222; 399/24–28,
399/107–112, 119, 121, 122, 222–224; 400/207,
400/208
See application file for complete search history.

The ornamental design for a laser printer cartridge, as shown and described.

DESCRIPTION

(56) **References Cited**

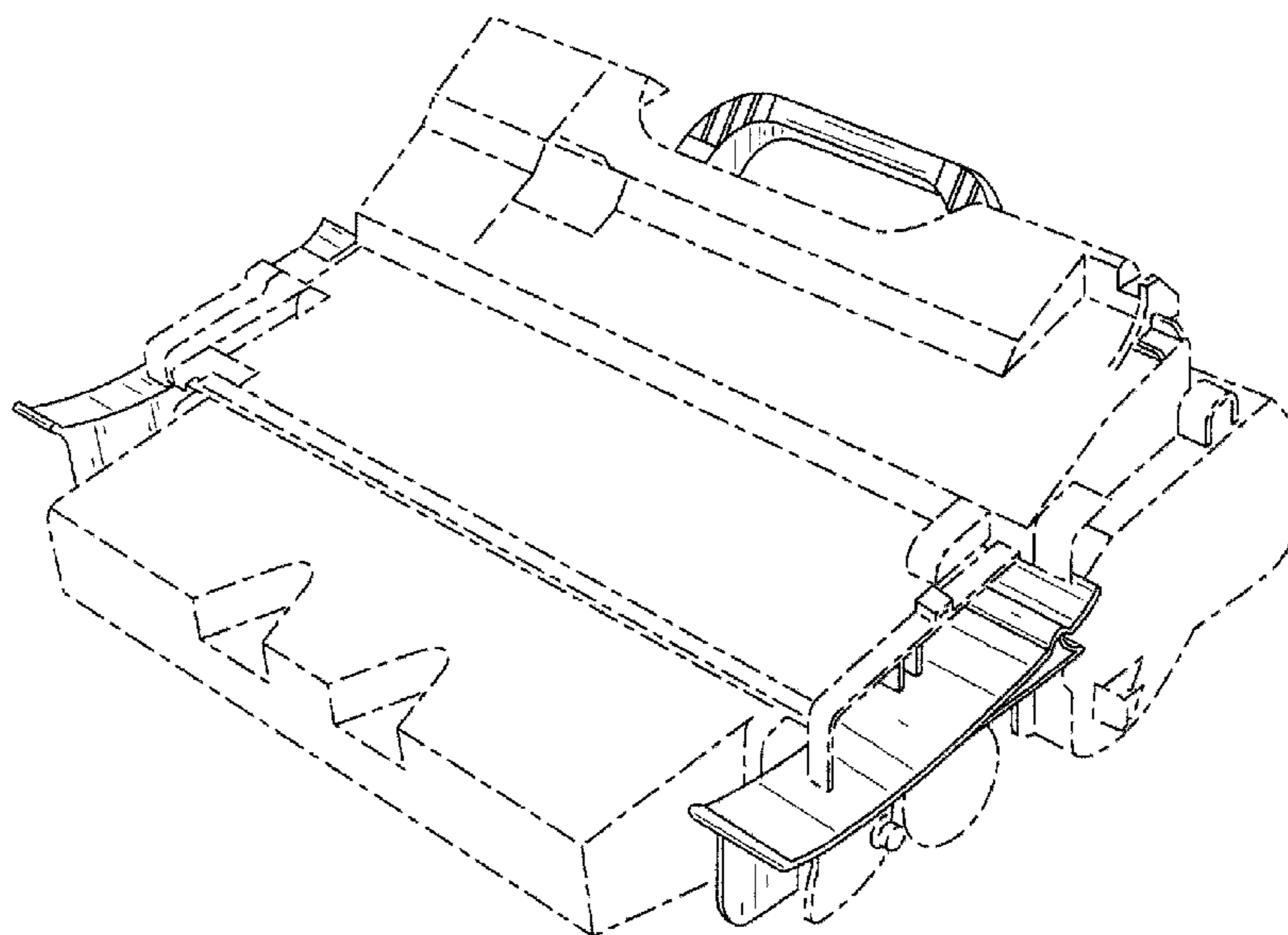
U.S. PATENT DOCUMENTS

D332,798 S 1/1993 Crowe et al.
5,383,502 A * 1/1995 Fisk et al. 222/DIG. 1
D399,249 S 10/1998 Burdick et al.
6,015,143 A * 1/2000 Jimenez et al. 399/110
D428,435 S * 7/2000 Kawamori et al. D18/40
D448,041 S 9/2001 Pichler et al.
D450,083 S 11/2001 Bishop et al.
D458,300 S 6/2002 Kwon

FIG. 1 is a perspective view of a laser printer cartridge of the present invention;
FIG. 2 is a front view thereof;
FIG. 3 is a rear view thereof;
FIG. 4 is a left side view thereof;
FIG. 5 is a right side view thereof;
FIG. 6 is top view thereof; and,
FIG. 7 is a bottom view thereof.

The broken lines appearing in the figures are not intended to form part of the claimed design and are only provided for illustrative purposes only.

1 Claim, 7 Drawing Sheets



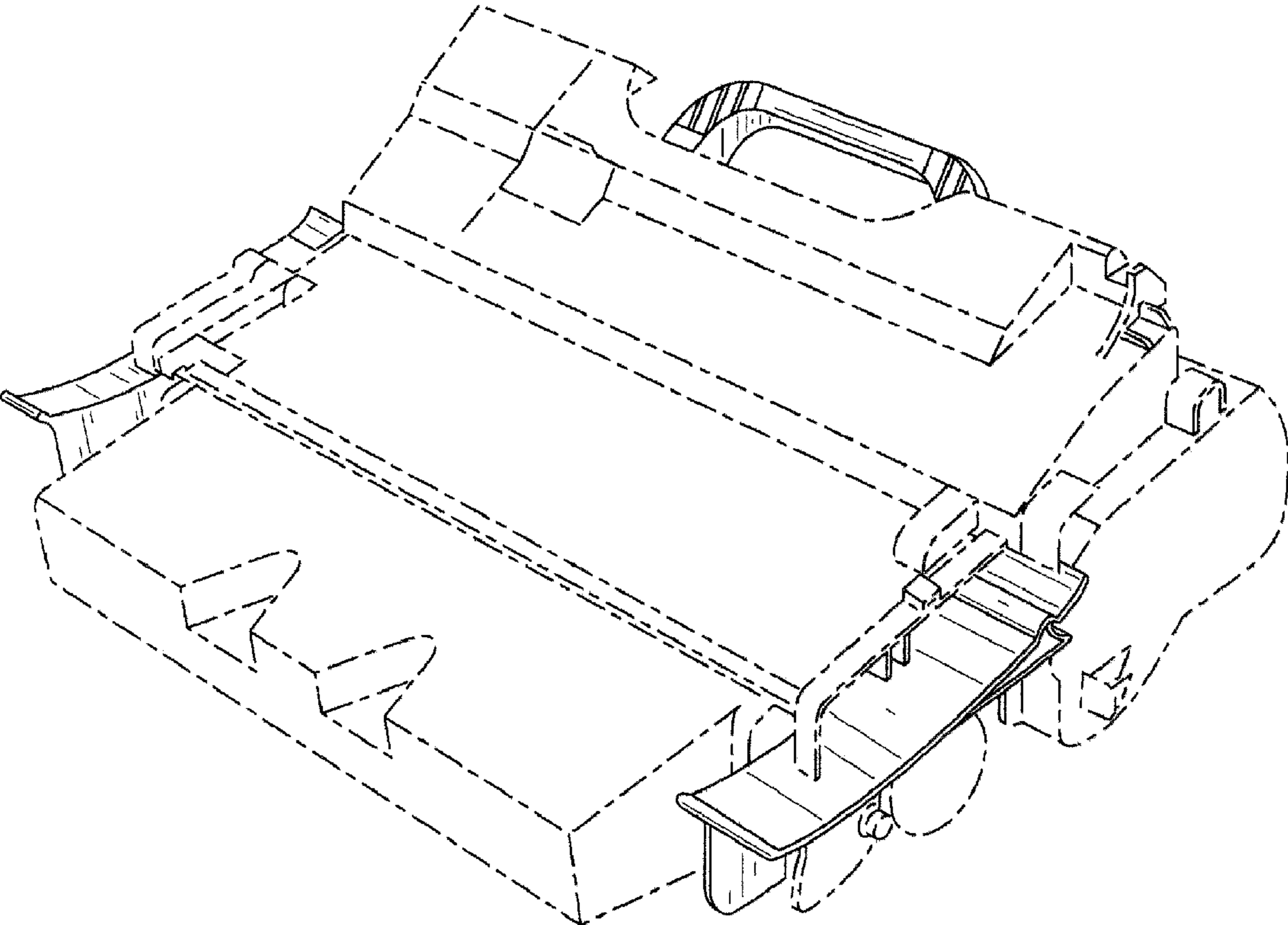


FIG. 1

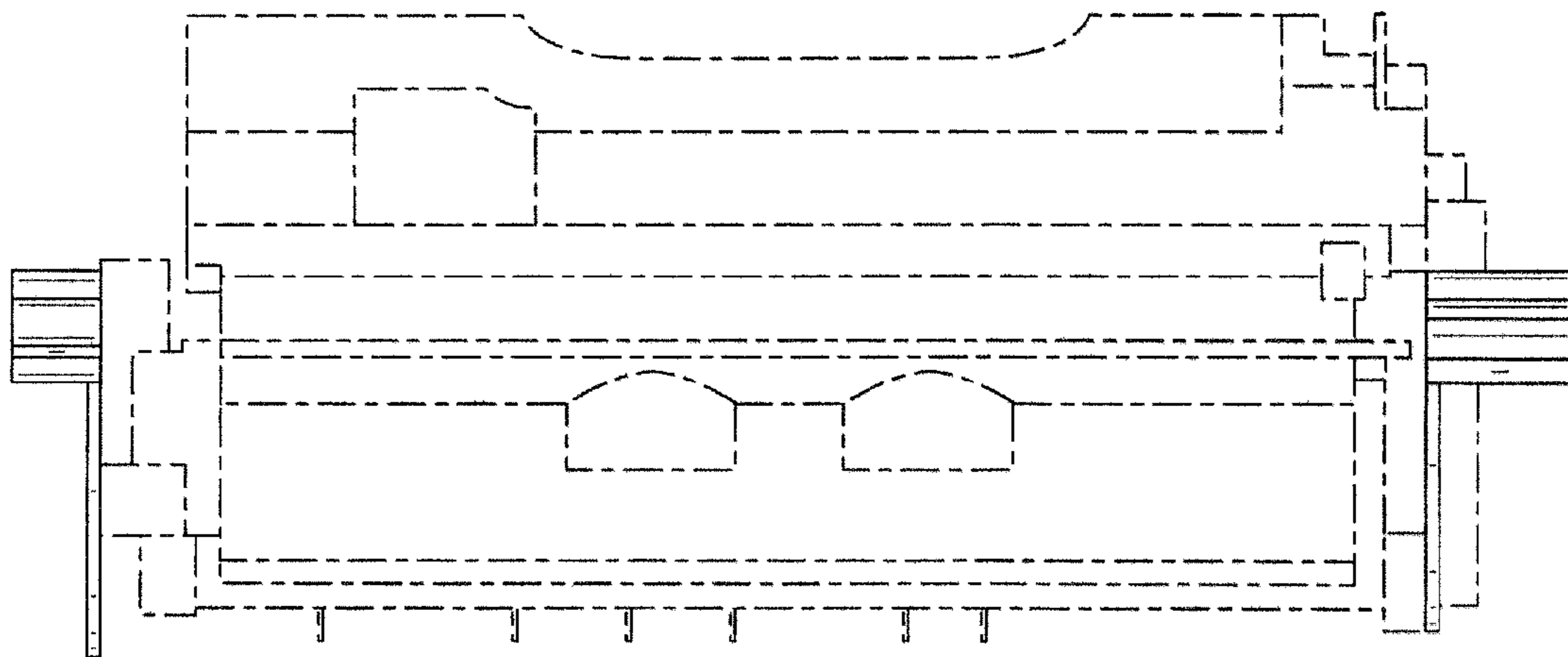


FIG. 2

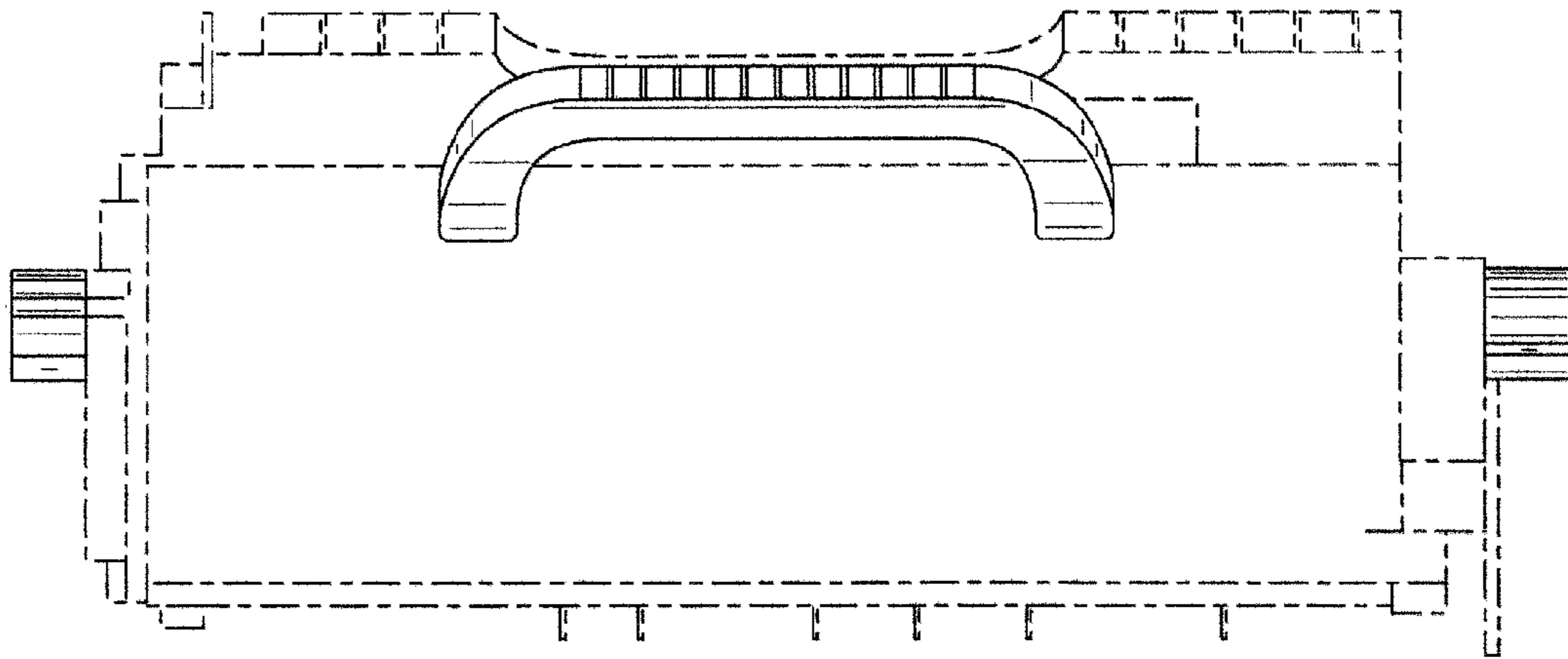


FIG. 3

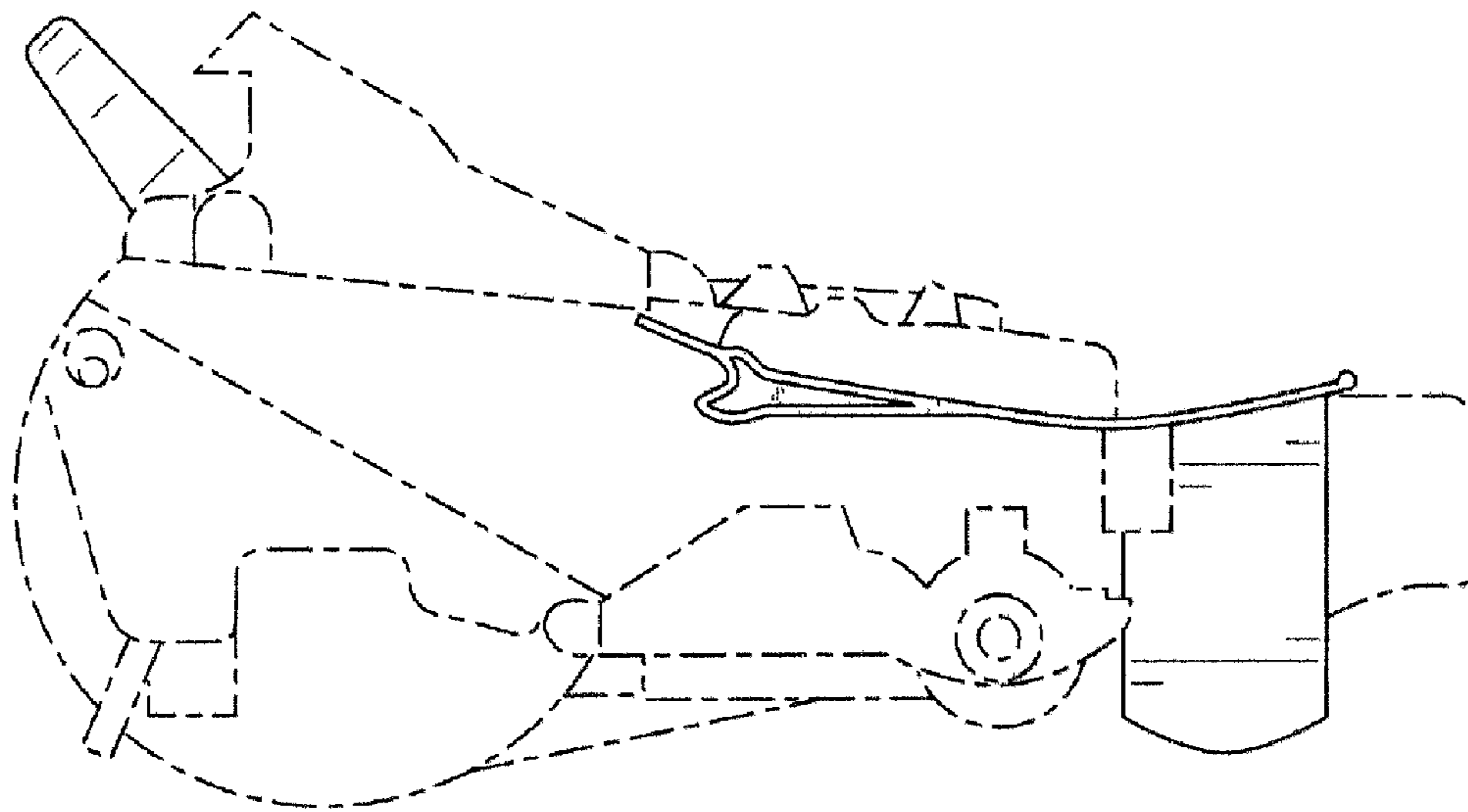


FIG. 4

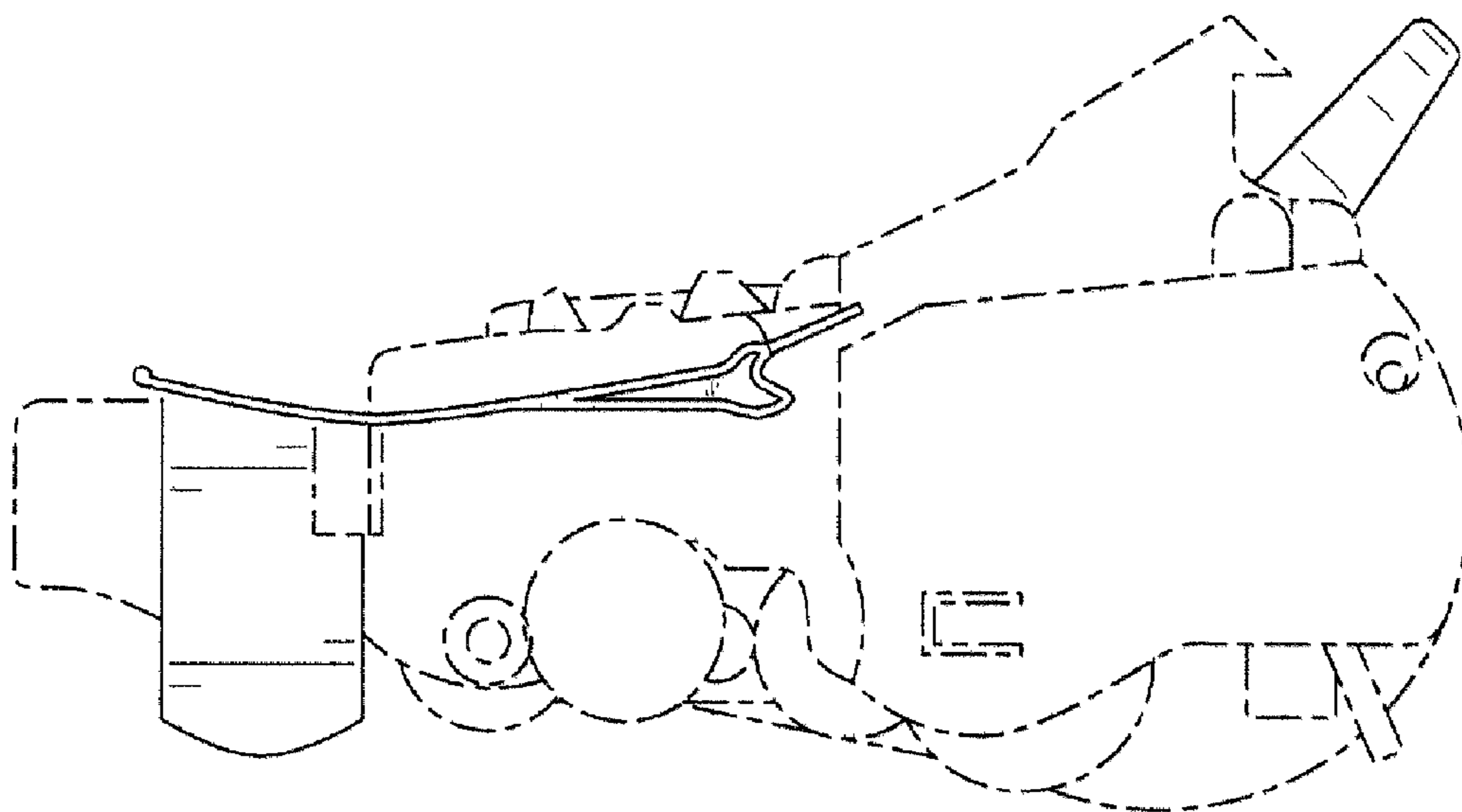


FIG. 5

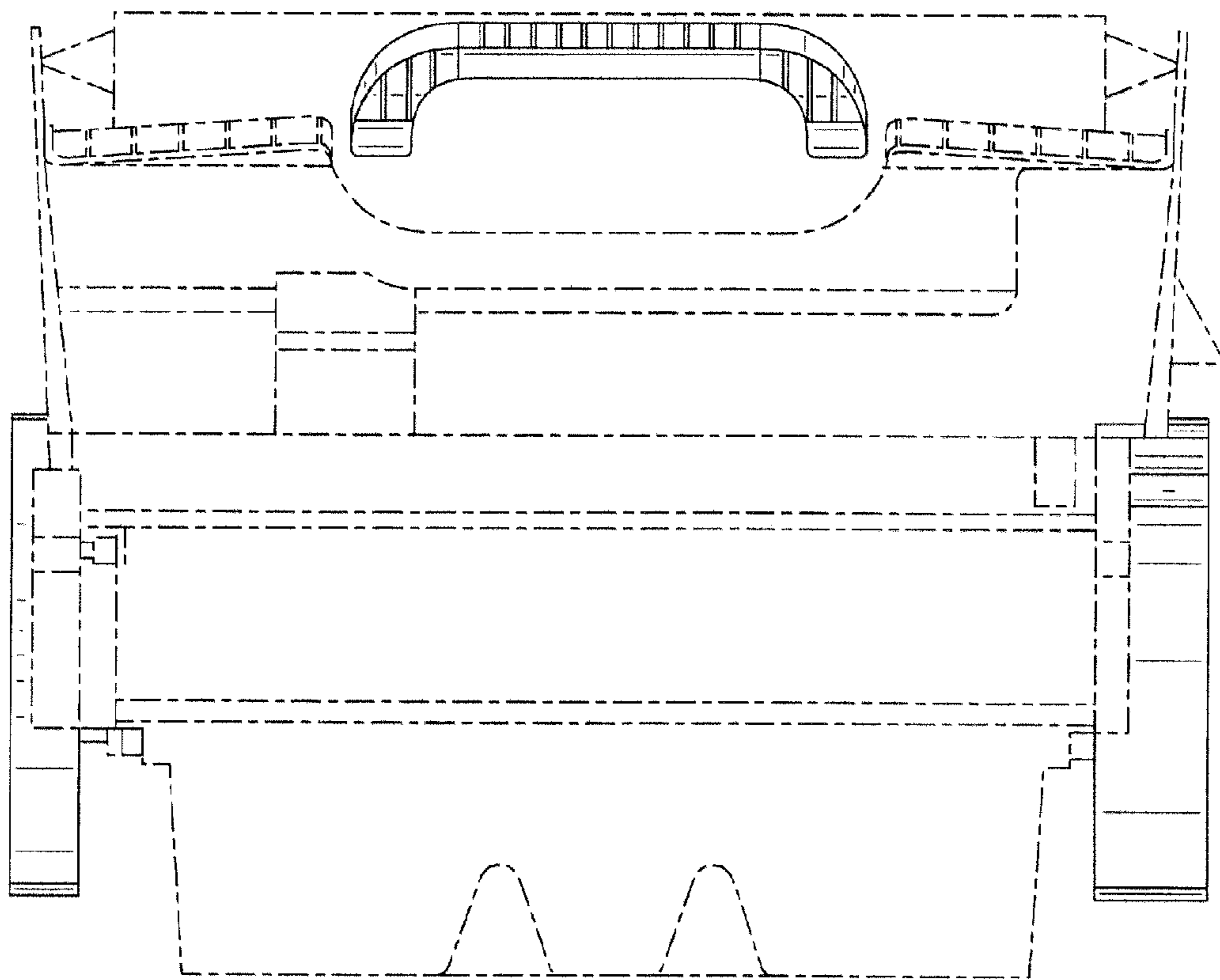


FIG. 6

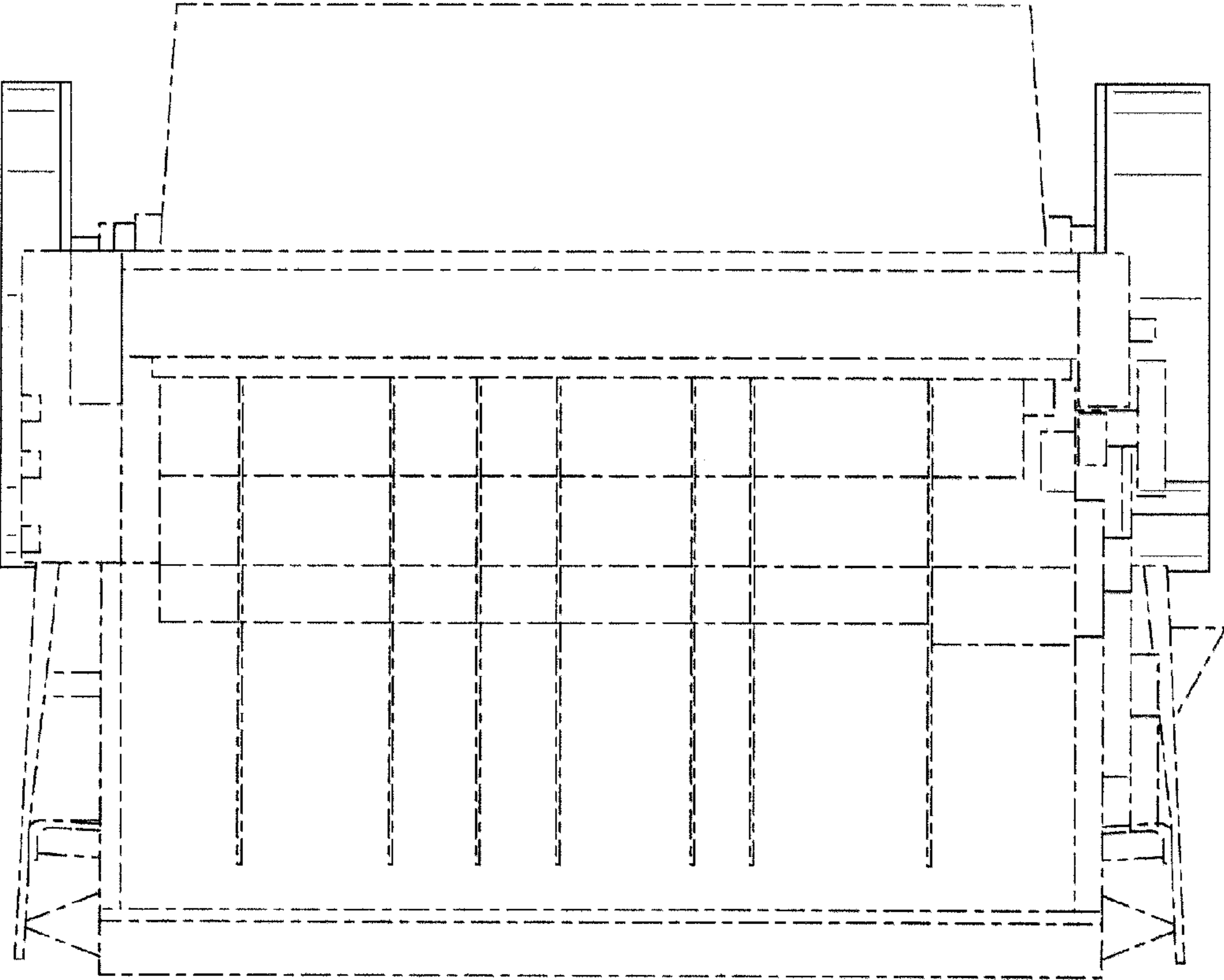


FIG. 7