



US00D560708S

(12) **United States Design Patent**
D'Ambrosio

(10) **Patent No.:** **US D560,708 S**

(45) **Date of Patent:** **** Jan. 29, 2008**

(54) **GUITAR NECK BLOCK**

(76) Inventor: **Mathew Otto D'Ambrosio**, 99
Carrington Ave., Providence, RI (US)
02906

(**) Term: **14 Years**

(21) Appl. No.: **29/230,033**

(22) Filed: **May 16, 2005**

(51) **LOC (8) Cl.** **17-03**

(52) **U.S. Cl.** **D17/20**

(58) **Field of Classification Search** D17/14;
84/267, 730, 293, 275, 290-291; D25/112-113,
D25/1, 117, 151, 155-156; 984/106; D21/738
See application file for complete search history.

(56) **References Cited**

U.S. PATENT DOCUMENTS

4,432,267	A *	2/1984	Feller	84/293
4,741,238	A *	5/1988	Carriveau	84/291
4,856,403	A *	8/1989	Davies	84/291
D305,568	S *	1/1990	Sakata	D25/113
D349,721	S *	8/1994	Riboloff	D17/20
2003/0164080	A1 *	9/2003	Childress	84/291

* cited by examiner

Primary Examiner—Ian Simmons
Assistant Examiner—Anna J Burmeister
(74) *Attorney, Agent, or Firm*—Salter & Michaelson

(57) **CLAIM**

The ornamental design for a guitar neck block, as shown and described.

DESCRIPTION

FIG. 1 is a front elevational view of a guitar neck block according to the present invention, shown in use;

FIG. 2 is a top, front, right side perspective view, showing only the claimed design;

FIG. 3 is a front elevational view thereof;

FIG. 4 is a rear elevational view thereof;

FIG. 5 is a top plan view thereof;

FIG. 6 is a bottom plan view thereof;

FIG. 7 is a right side elevational view thereof; and,

FIG. 8 is a left side elevational view thereof.

The broken lines shown in the drawings are for illustrative purposes only and form no part of the claimed design.

1 Claim, 3 Drawing Sheets

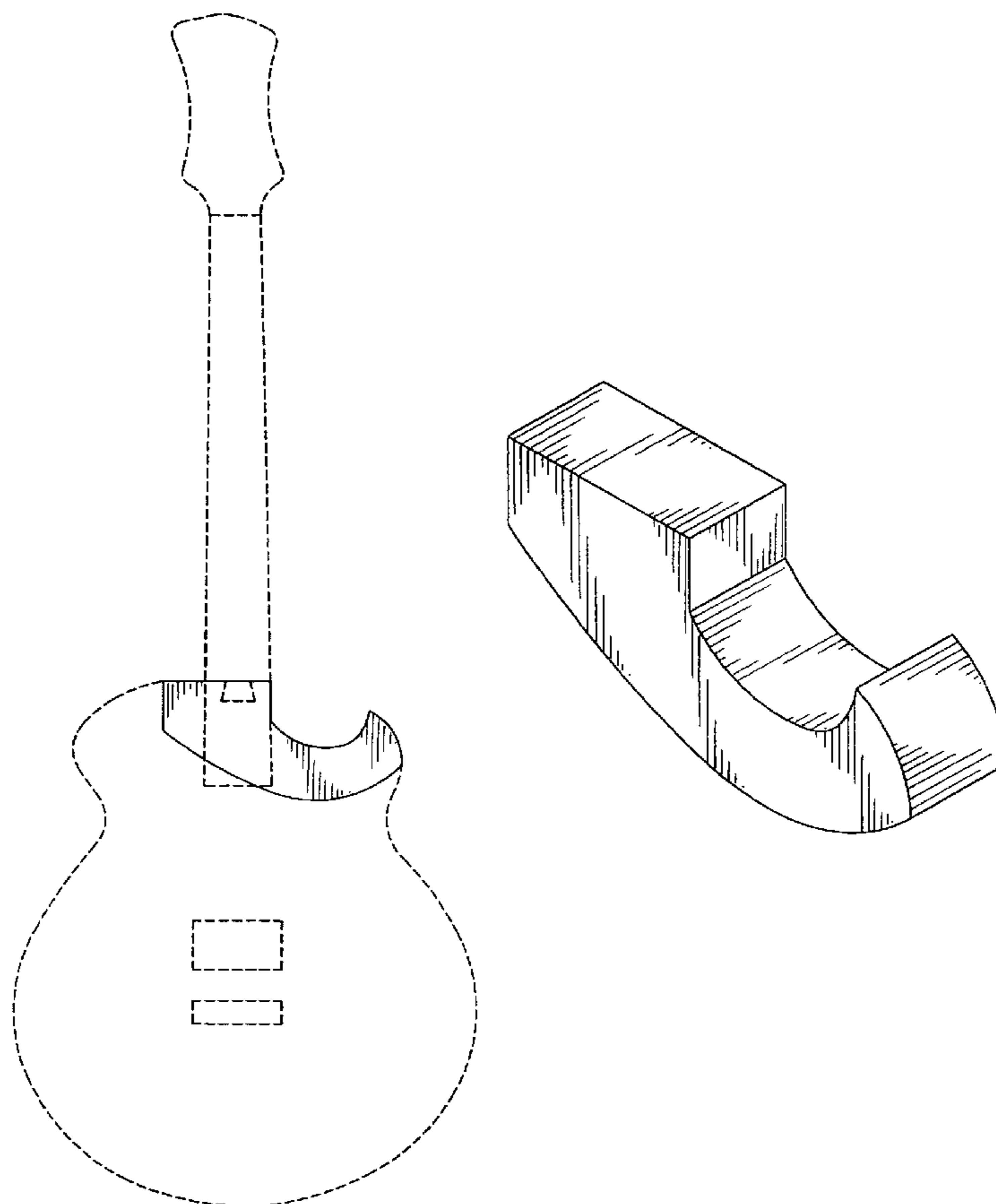
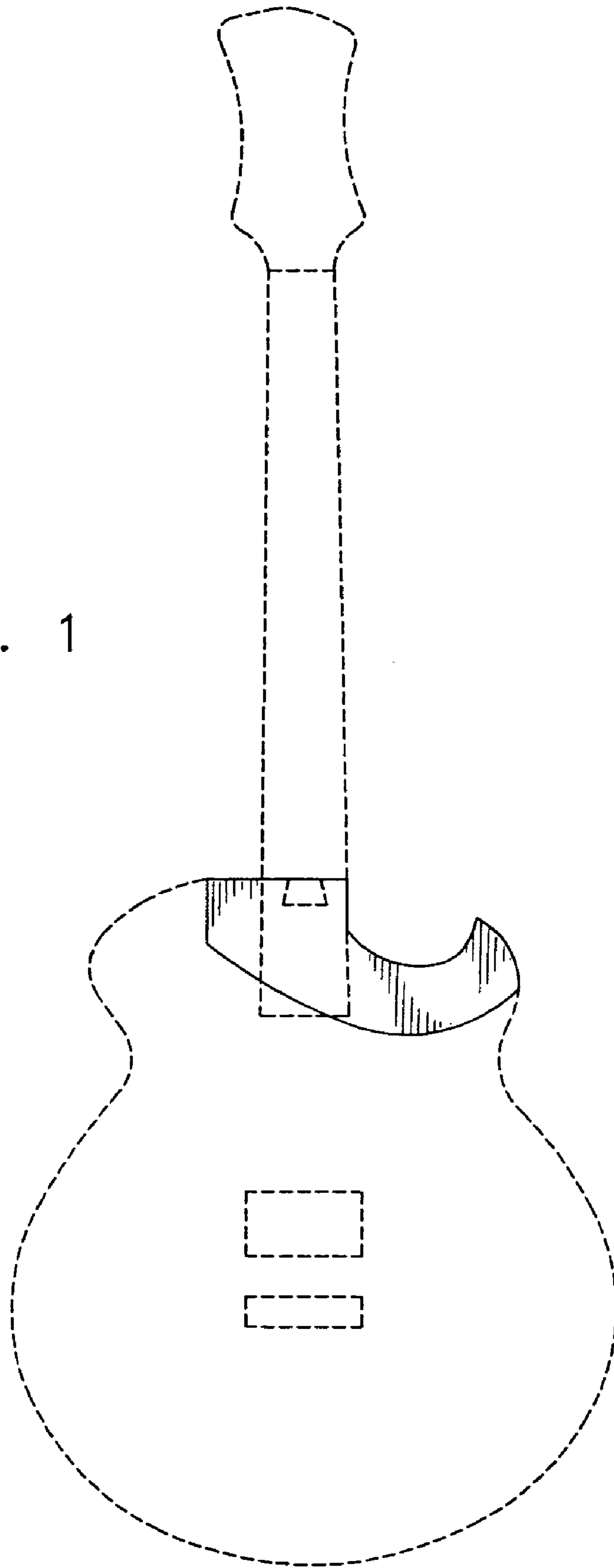


FIG. 1



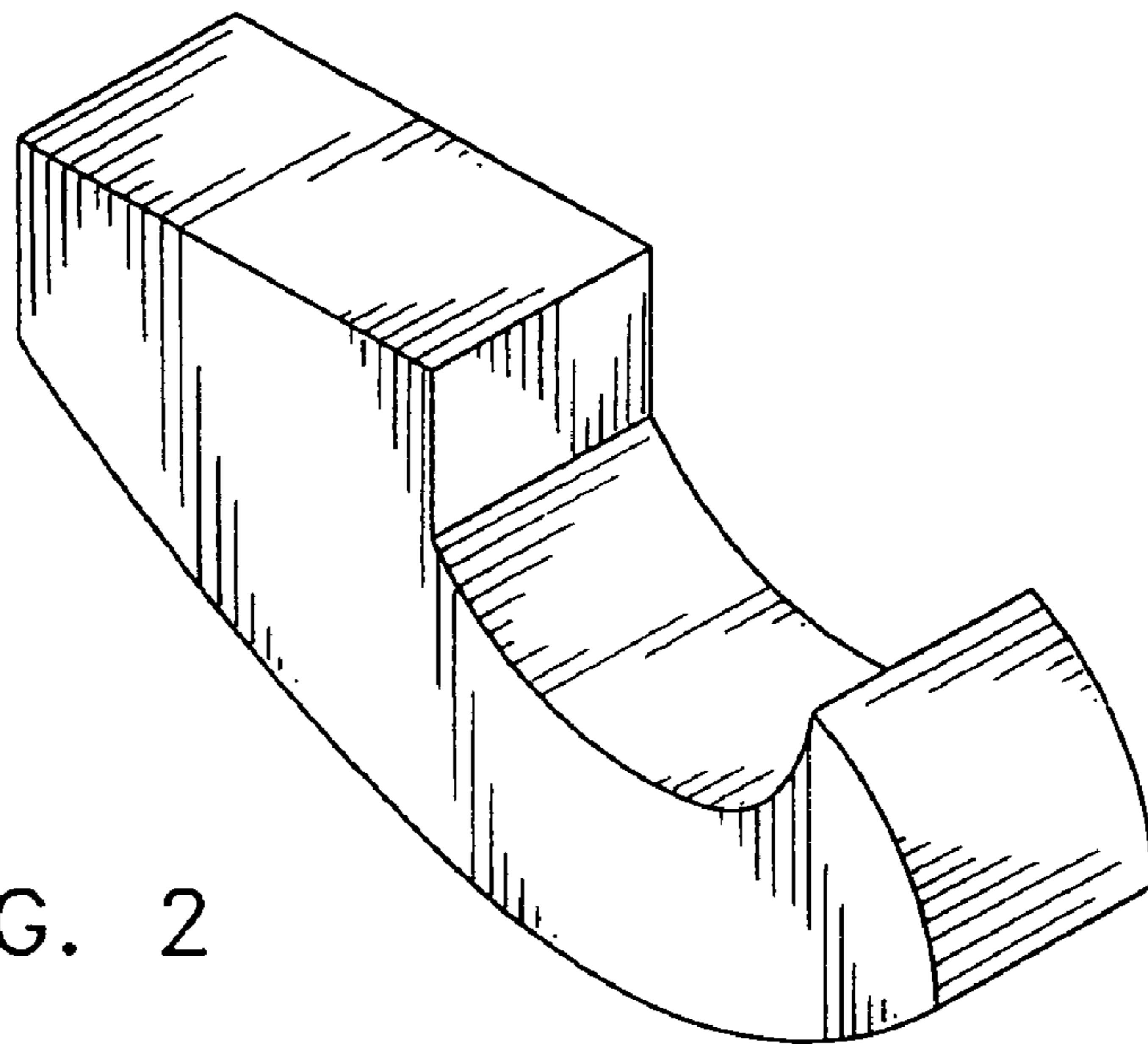


FIG. 2

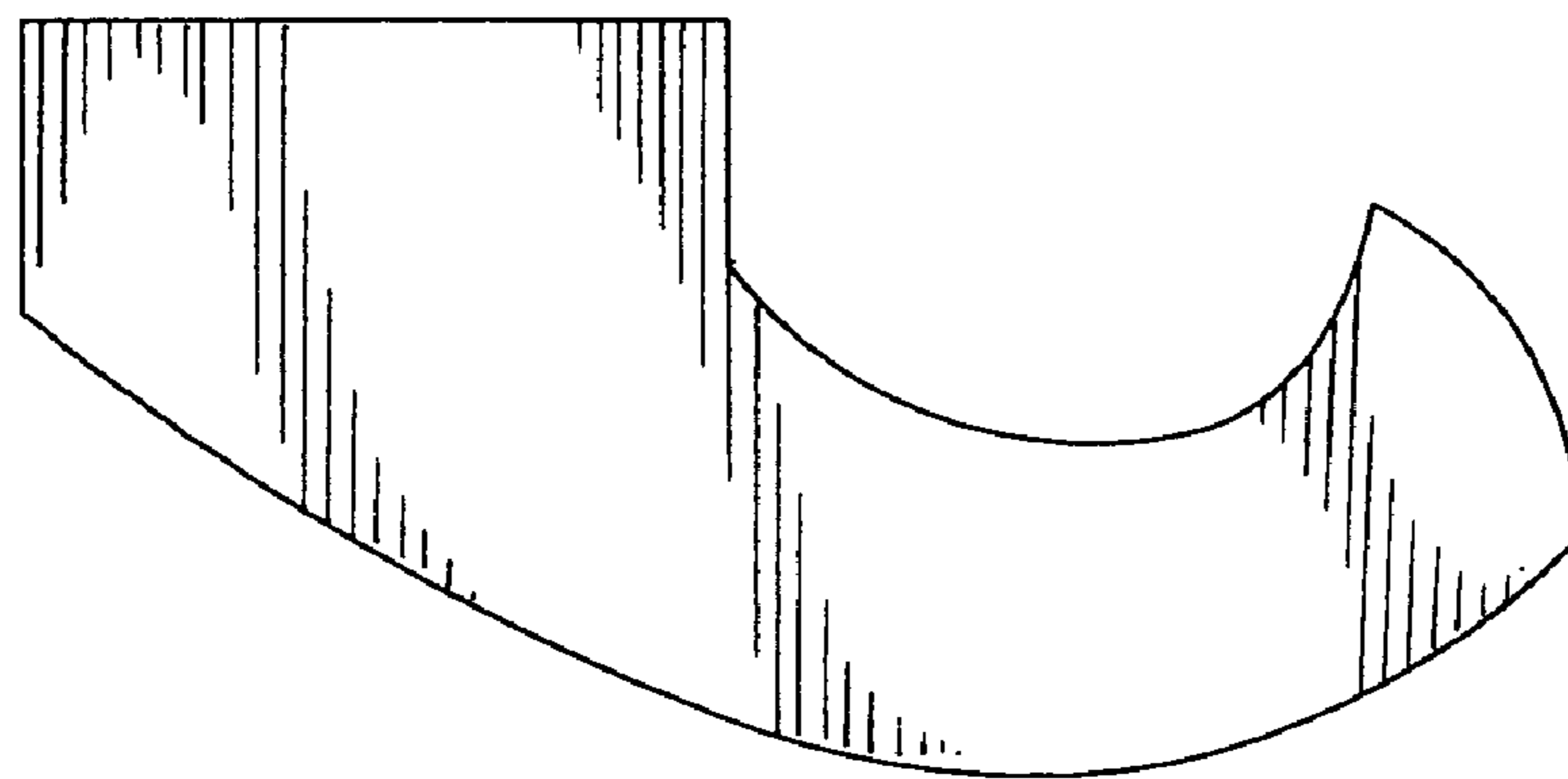


FIG. 3

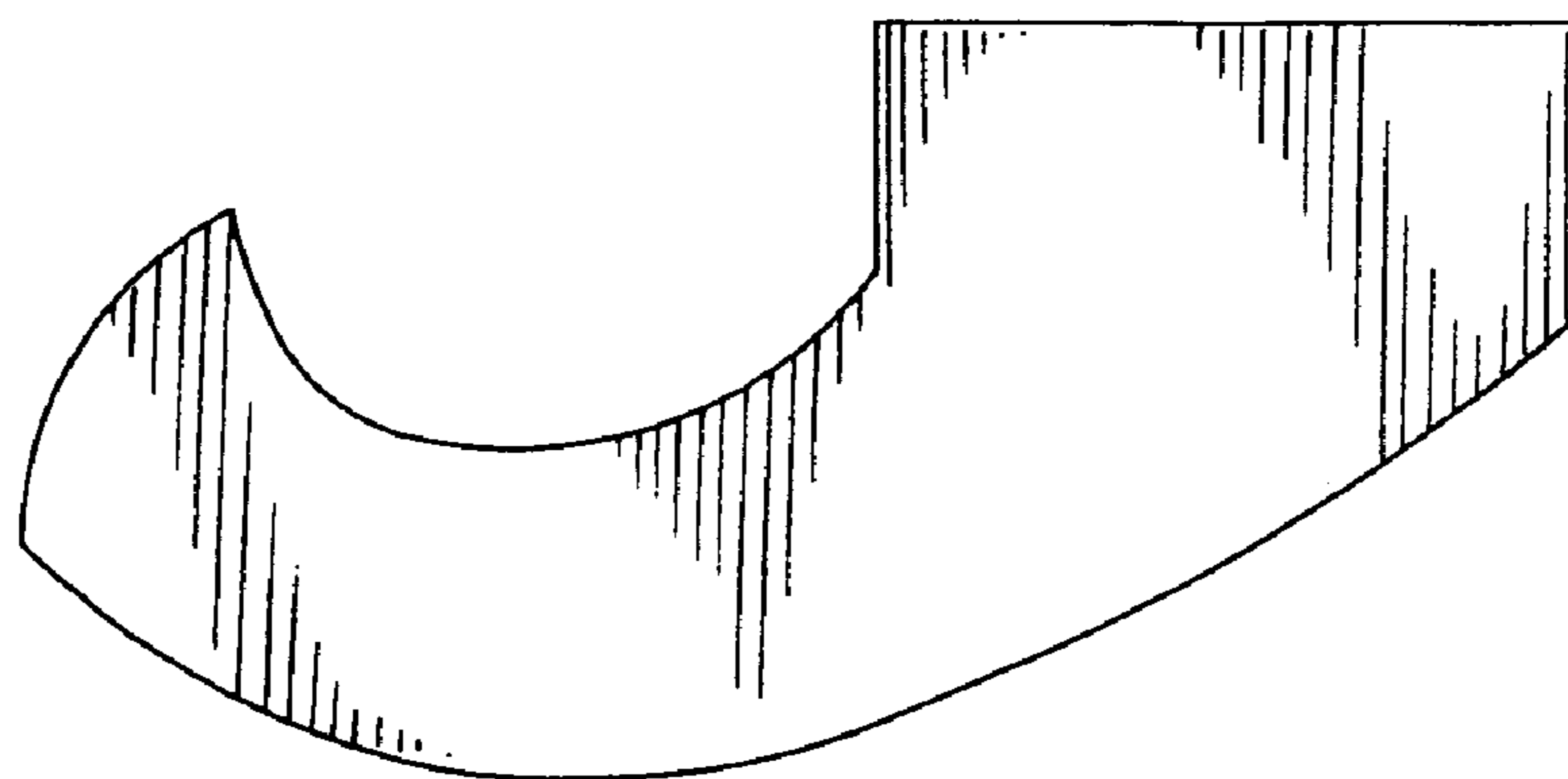


FIG. 4

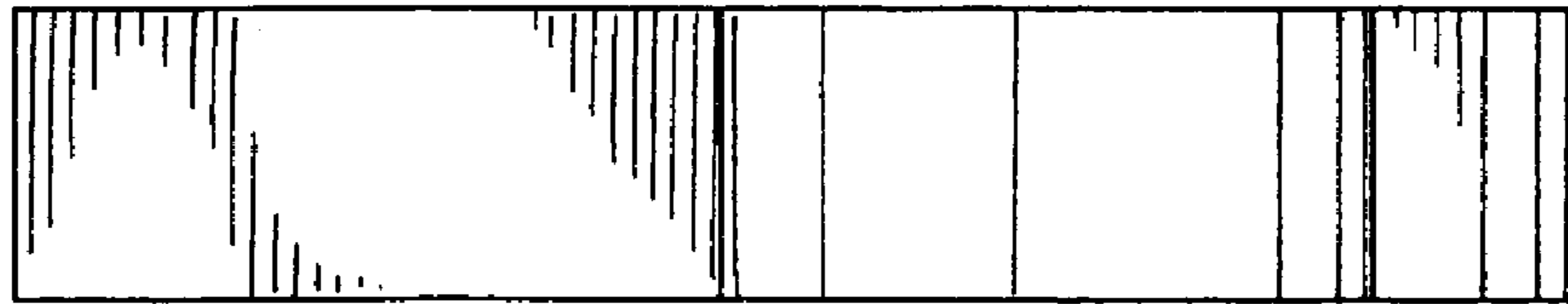


FIG. 5

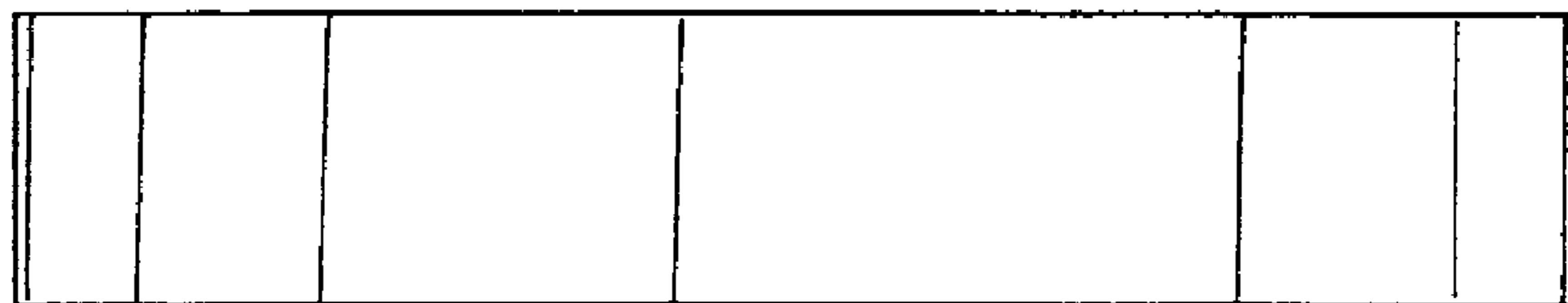


FIG. 6

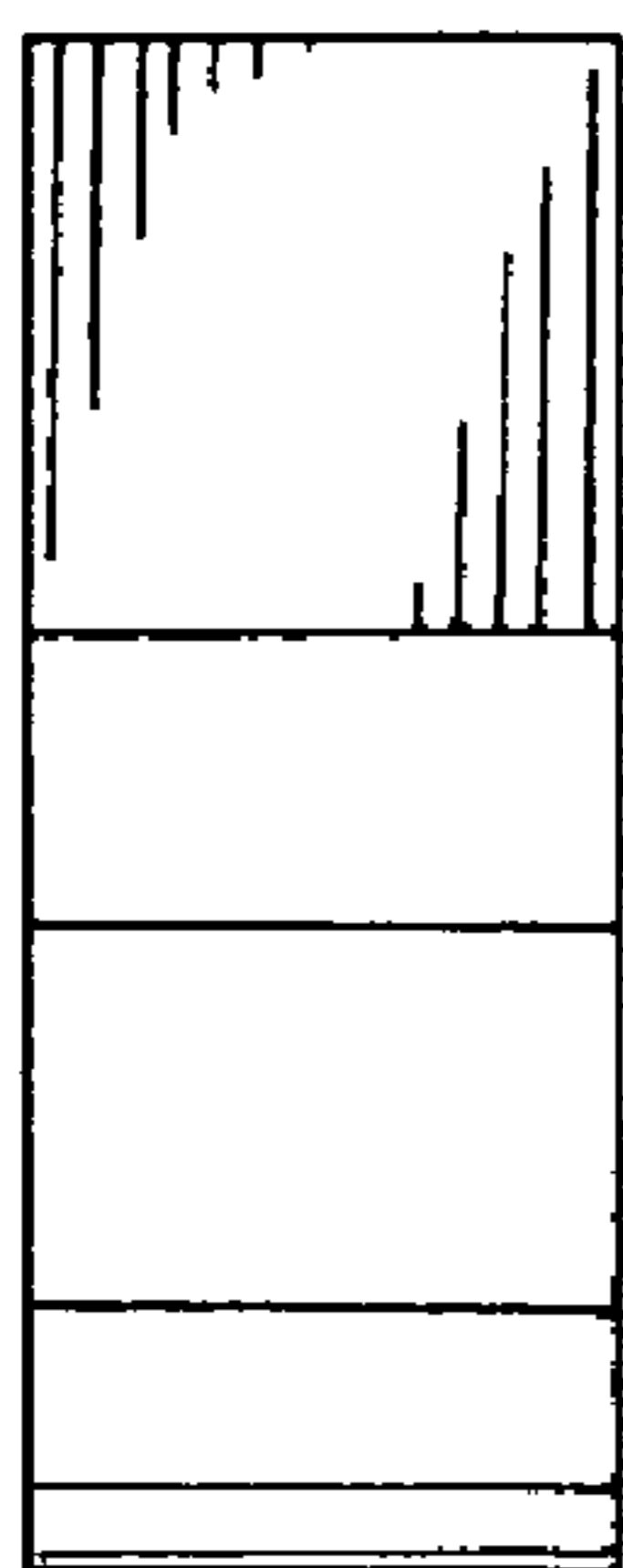


FIG. 7

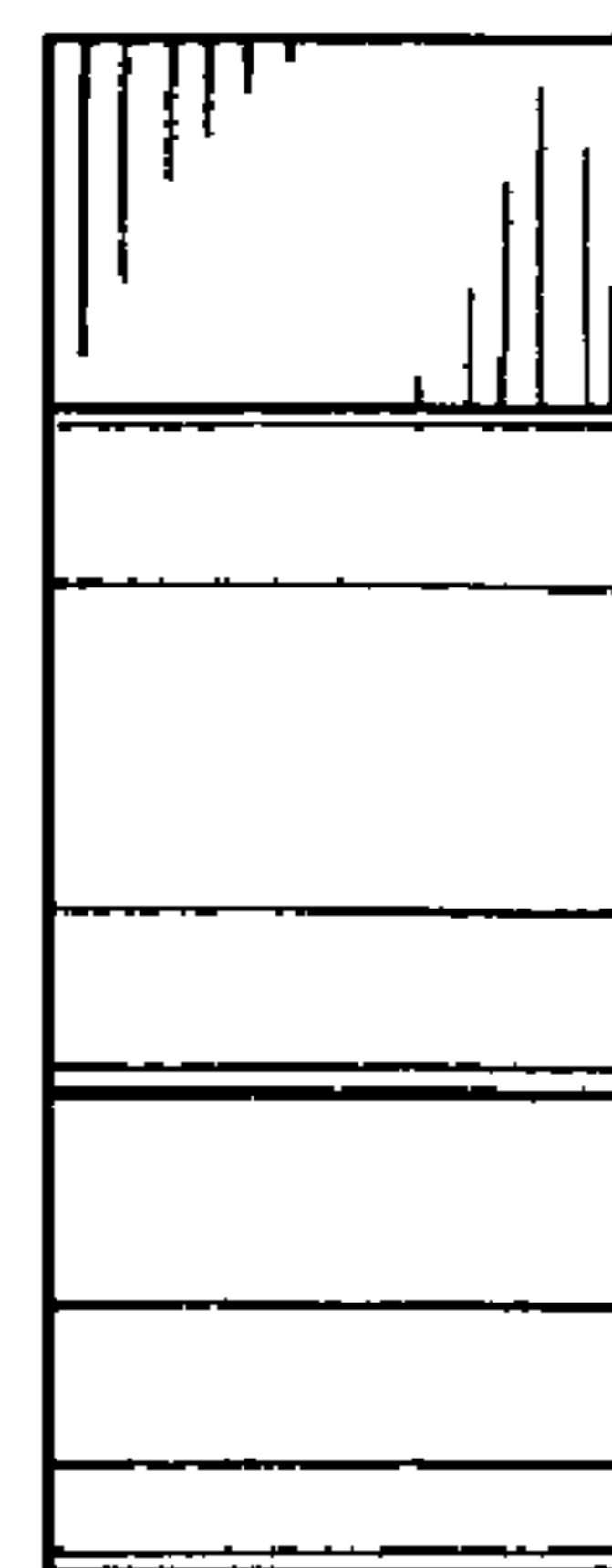


FIG. 8