

US00D560705S

(12) **United States Design Patent**
Wada

(10) **Patent No.:** **US D560,705 S**
(45) **Date of Patent:** **** Jan. 29, 2008**

(54) **PROJECTOR**

(75) Inventor: **Yasuhiro Wada**, Tokyo (JP)

(73) Assignee: **Sega Corporation**, Tokyo (JP)

(**) Term: **14 Years**

(21) Appl. No.: **29/245,330**

(22) Filed: **Dec. 22, 2005**

(30) **Foreign Application Priority Data**

Jun. 28, 2005 (JP) 2005-018713

(51) **LOC (8) Cl.** **16-02**

(52) **U.S. Cl.** **D16/221**; D14/128

(58) **Field of Classification Search** D16/221,
D16/228, 241, 245, 230; D14/126, 128,
D14/129, 371, 374-376; 348/836, 180, 184,
348/769, 744; 248/917-924, 158; 359/460,
359/456, 453, 433, 449, 459; 353/179, 119,
353/122, 78, 79

See application file for complete search history.

(56) **References Cited**

U.S. PATENT DOCUMENTS

D228,807 S * 10/1973 Cinque D16/225
D345,968 S * 4/1994 Bruce et al. D14/371
D439,570 S * 3/2001 Tsao et al. D14/128
D451,894 S * 12/2001 Kim et al. D14/126

D483,727 S * 12/2003 Tseng et al. D14/128
D499,132 S * 11/2004 Revoldini D16/221
6,851,810 B2 * 2/2005 Arai et al. 353/119
D508,683 S * 8/2005 Nakamura D14/128
7,025,463 B2 * 4/2006 Kimura et al. 353/119
D532,397 S * 11/2006 Lin et al. D14/128
2004/0090603 A1 * 5/2004 Cho et al. 353/119
2006/0290904 A1 * 12/2006 Corn 353/119

* cited by examiner

Primary Examiner—Ian Simmons

Assistant Examiner—Wan Laymon

(74) *Attorney, Agent, or Firm*—Dickstein Shapiro LLP

(57) **CLAIM**

The ornamental design for a projector, as shown and described.

DESCRIPTION

FIG. 1 is a front, top and left side perspective view of a projector showing my new design;

FIG. 2 is a front elevational view thereof;

FIG. 3 is a rear elevational view thereof;

FIG. 4 is a top plan view thereof;

FIG. 5 is a bottom plan view thereof;

FIG. 6 is a right side elevational view thereof; and,

FIG. 7 is a left side elevational view thereof.

1 Claim, 4 Drawing Sheets

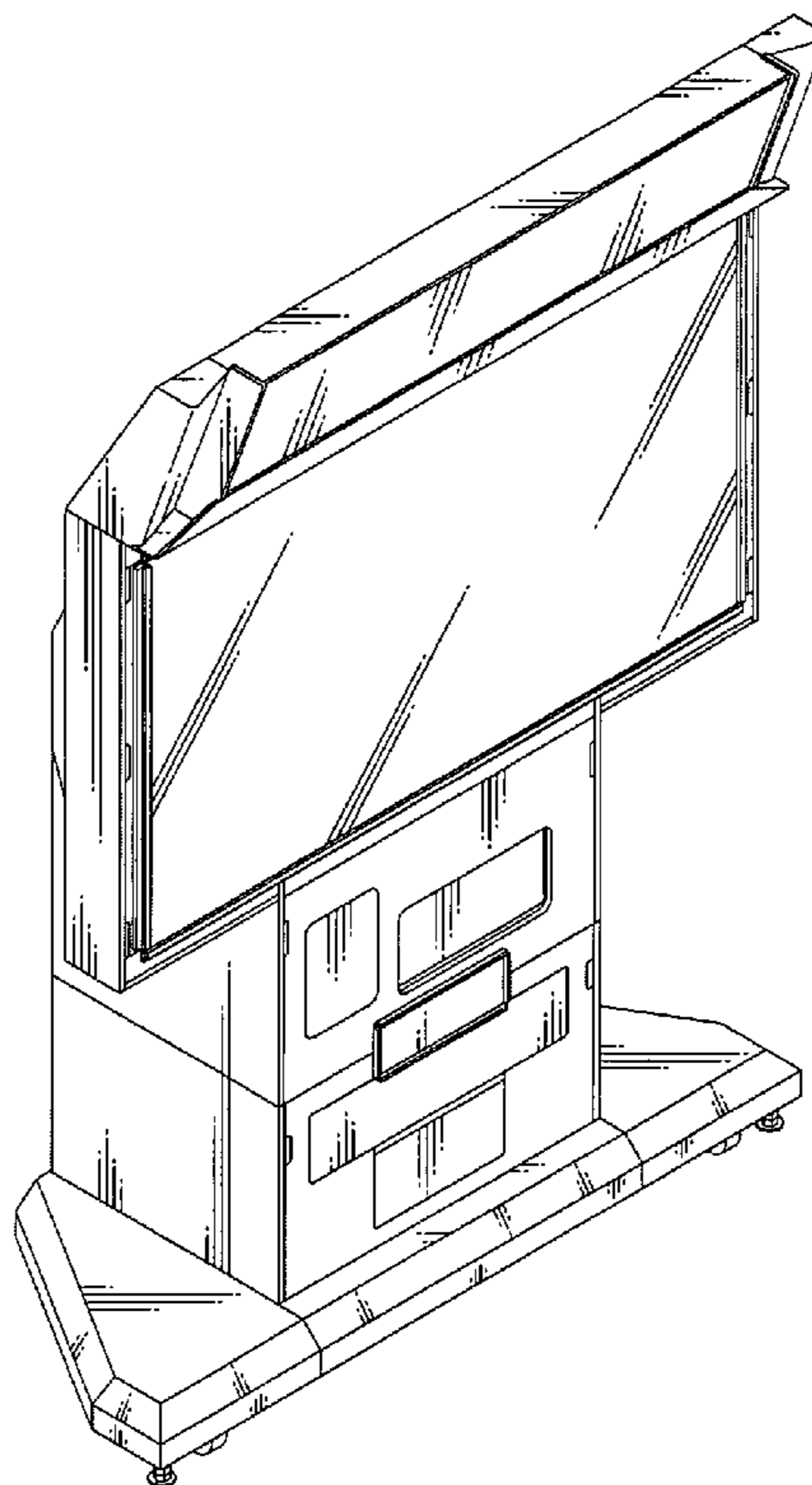


FIG. 1

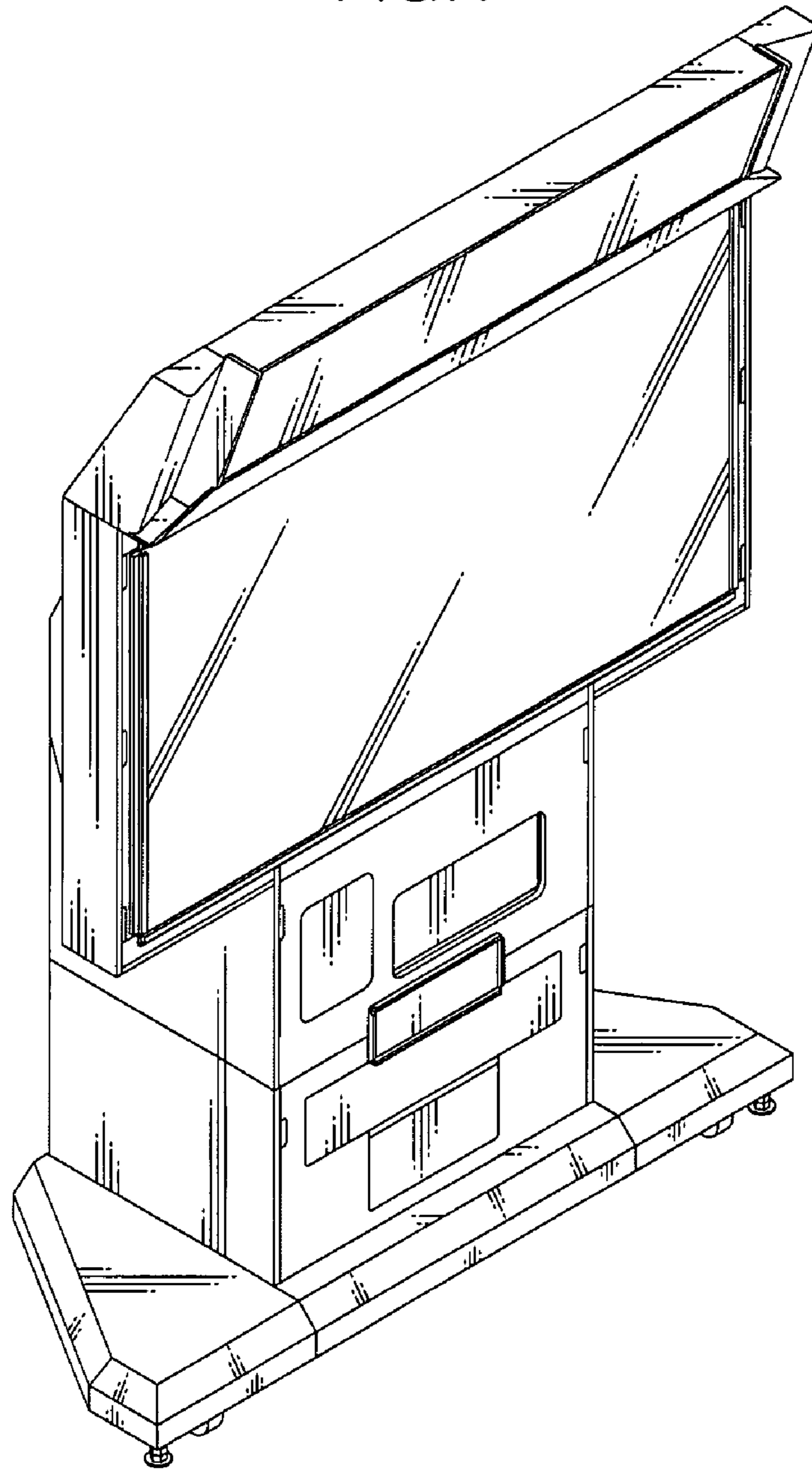


FIG.2

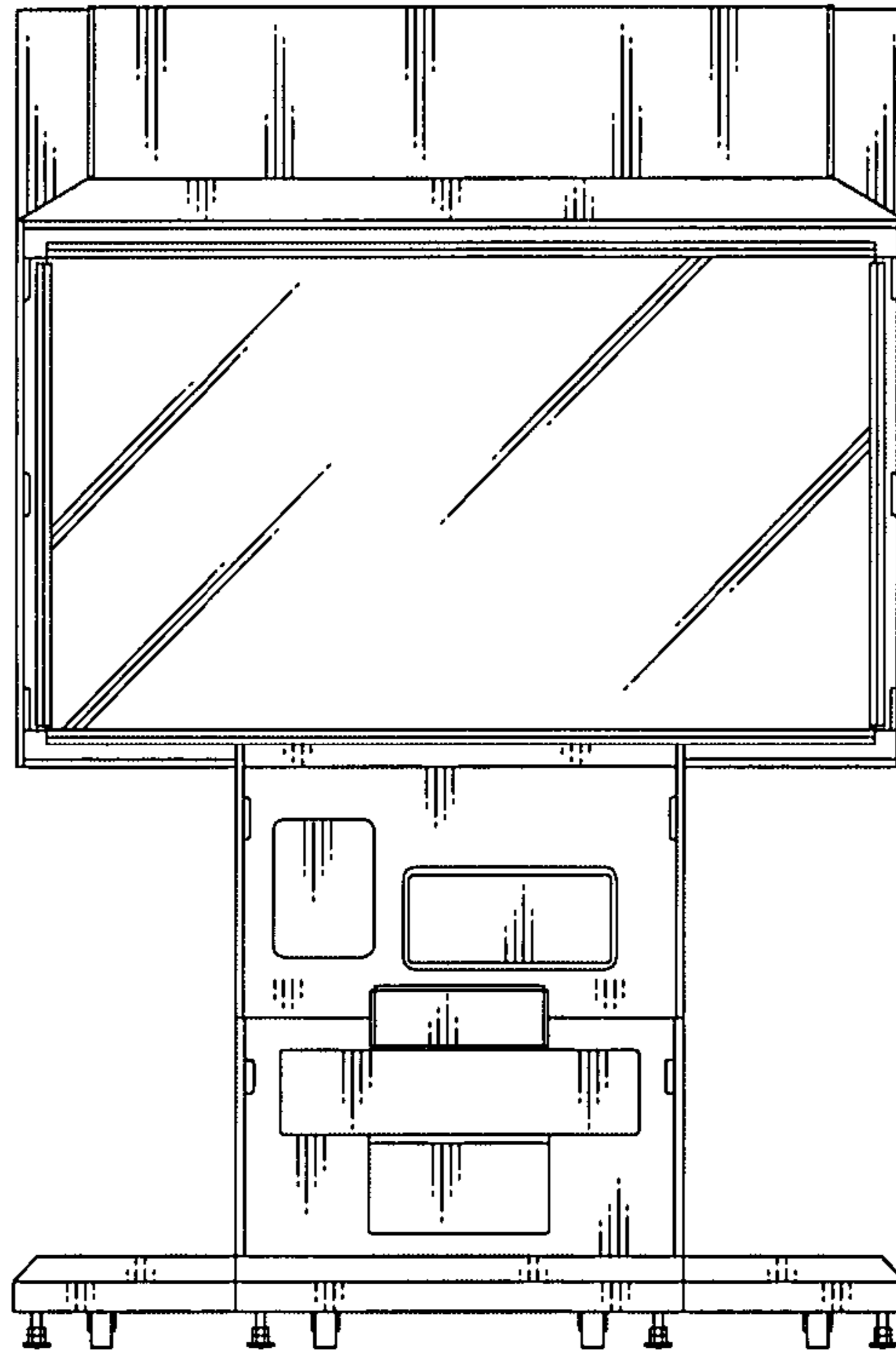


FIG.3

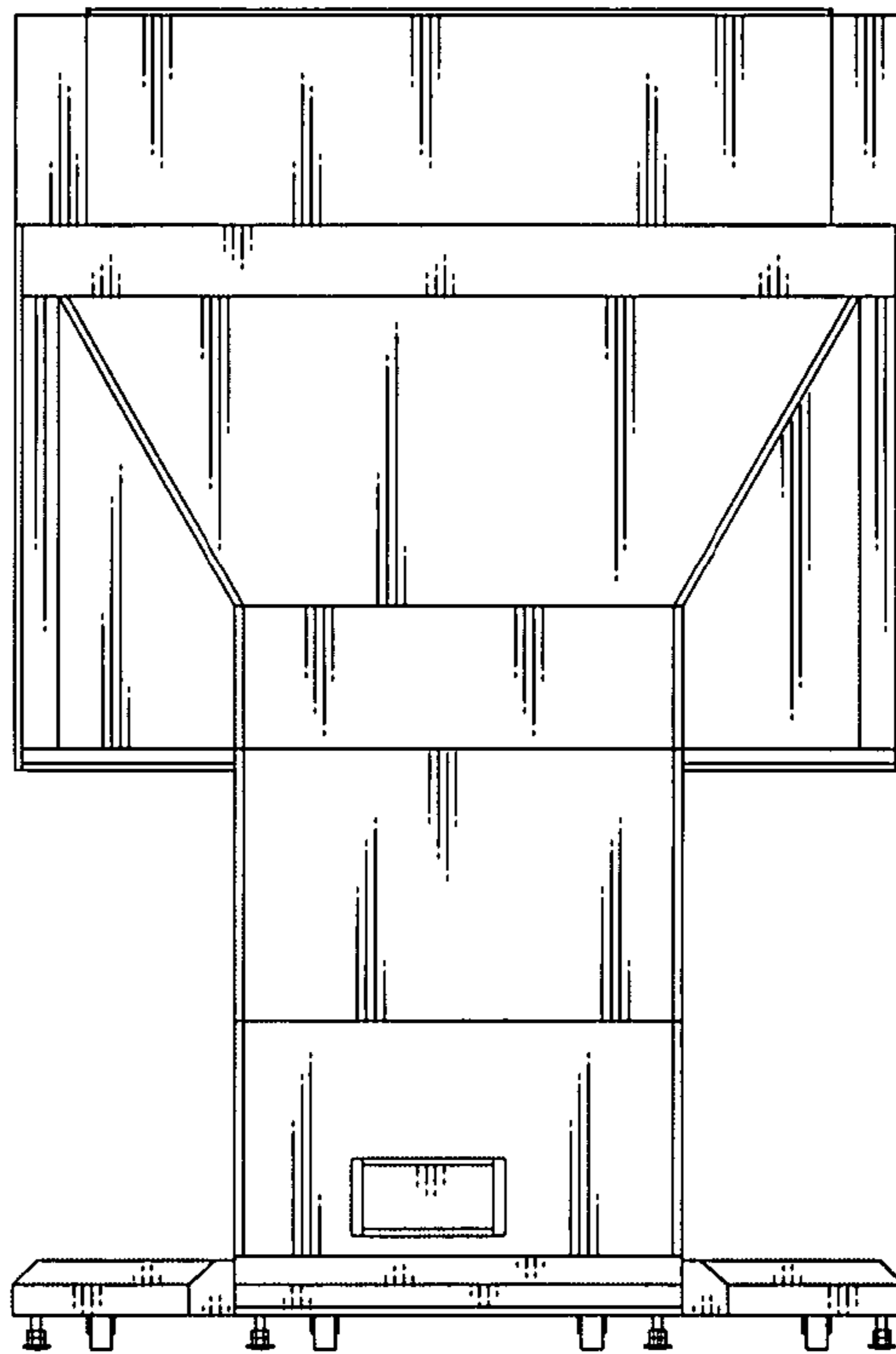


FIG.4

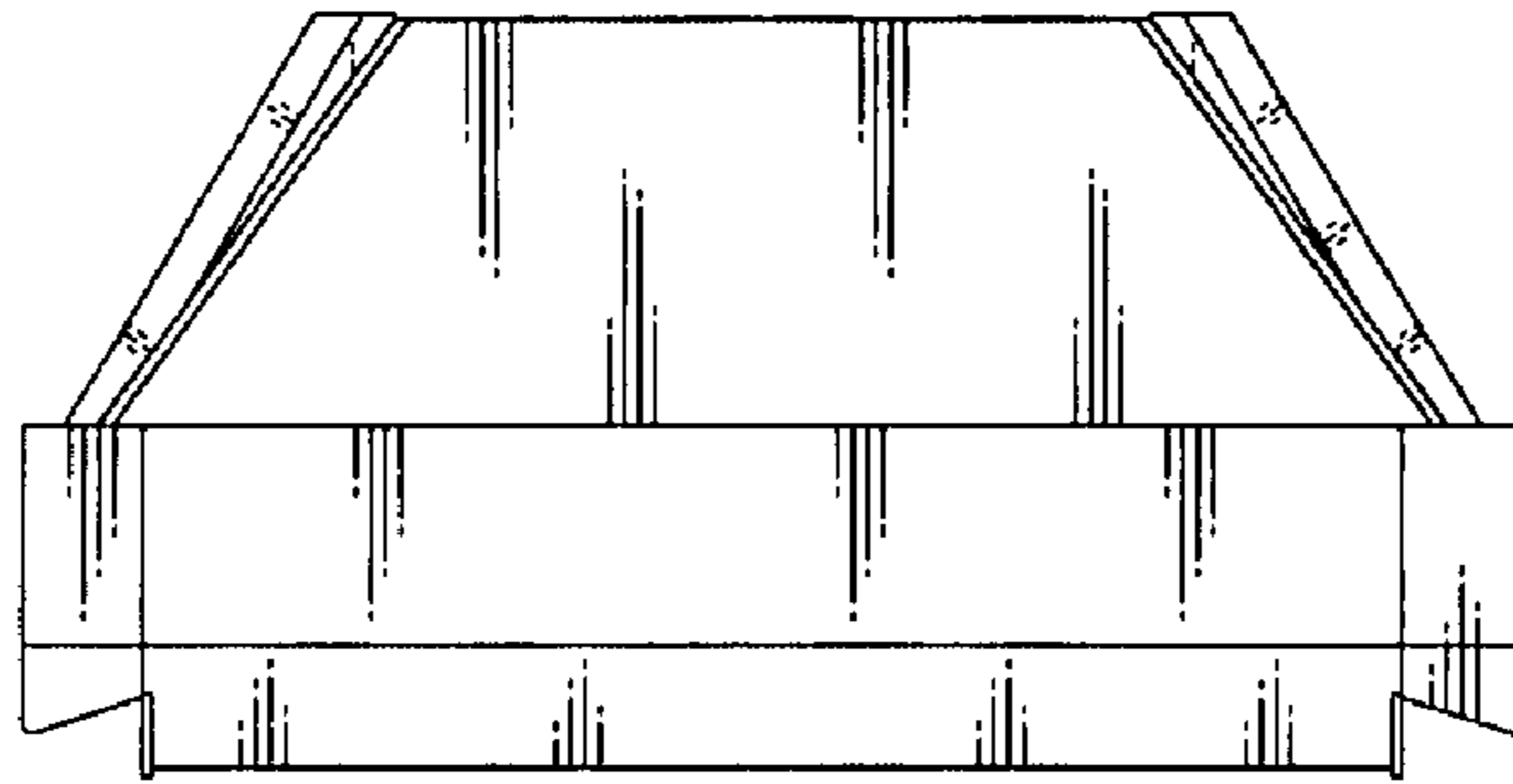


FIG.5

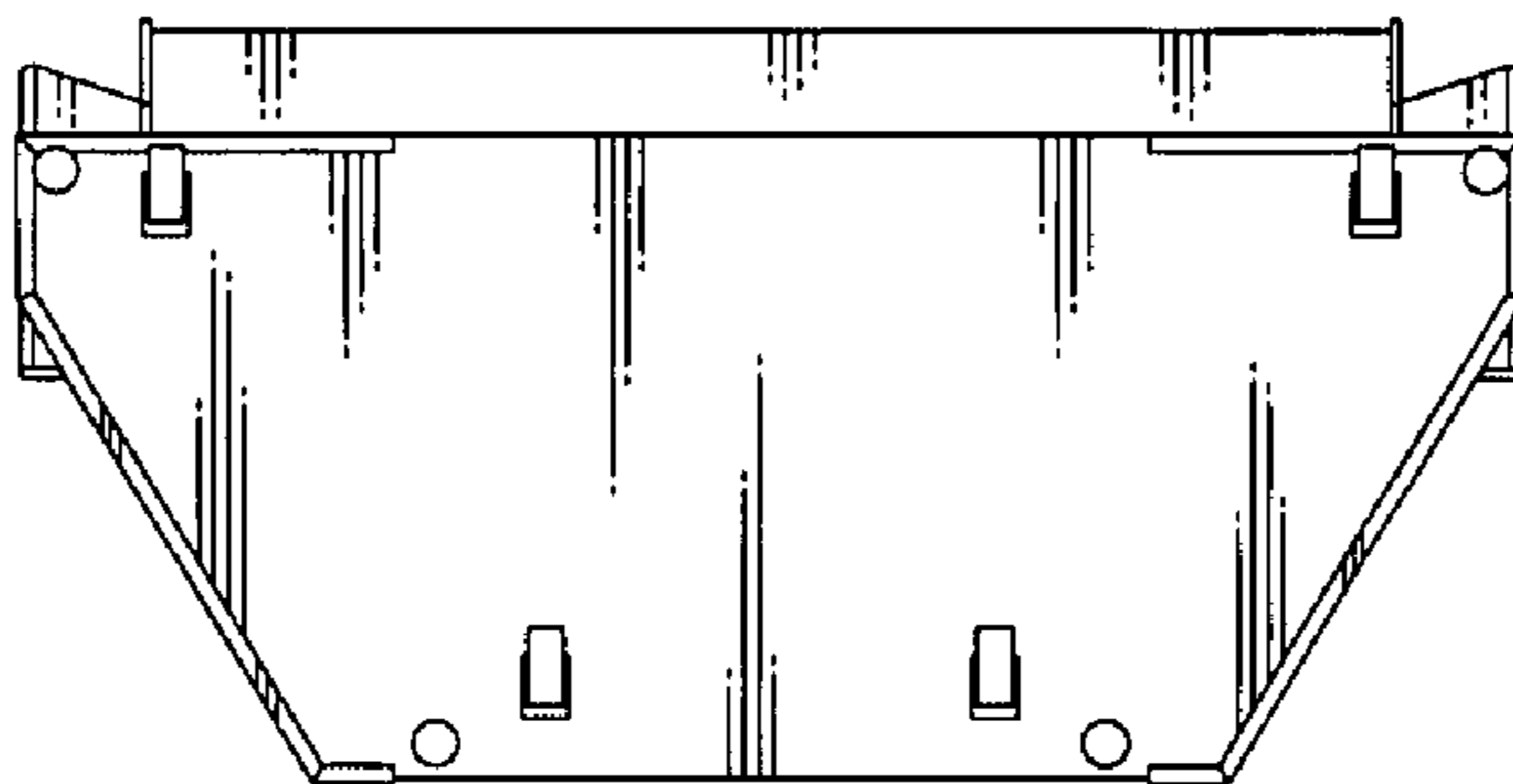


FIG.6

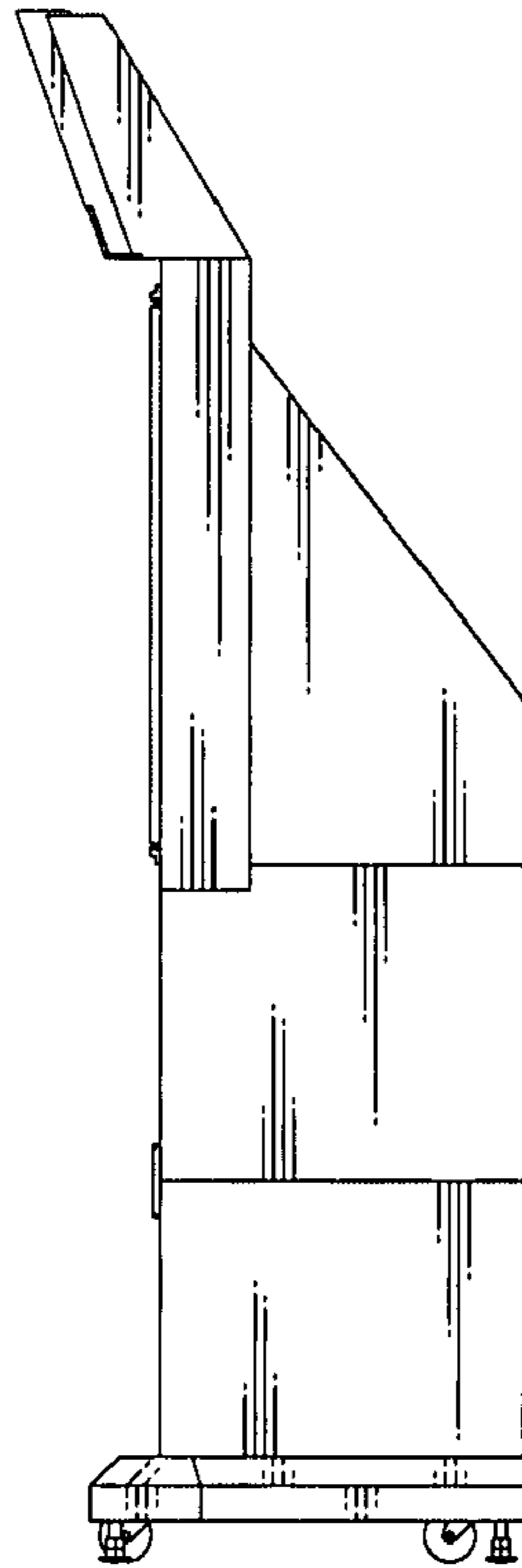


FIG.7

