



US00D560704S

(12) **United States Design Patent**
Naito et al.

(10) **Patent No.:** **US D560,704 S**
(45) **Date of Patent:** **** Jan. 29, 2008**

(54) **DIGITAL CAMERA**

D547,350 S * 7/2007 Tainaka D16/219

(75) Inventors: **Yoshitaka Naito**, Ome (JP); **Koji Suzuki**, Hachioji (JP)

* cited by examiner

(73) Assignee: **Olympus Imaging Corp.**, Tokyo (JP)

Primary Examiner—Adir Aronovich

(**) Term: **14 Years**

(74) *Attorney, Agent, or Firm*—Straub and Pokotylo; John C. Pokotylo

(21) Appl. No.: **29/264,297**

(57) **CLAIM**

(22) Filed: **Aug. 7, 2006**

We claim the ornamental design for a digital camera, as shown and described.

(30) **Foreign Application Priority Data**

DESCRIPTION

Aug. 2, 2006 (JP) 2006-020357

(51) **LOC (8) Cl.** **16-05**

FIG. 1 is a rear, top and right side perspective view of a digital camera showing our new design;

(52) **U.S. Cl.** **D16/219; D16/202**

FIG. 2 is a front elevational view thereof;

(58) **Field of Classification Search** D16/200–204,
D16/208, 218, 219; 348/373–376; 358/909.1;
396/535–541

FIG. 3 is a rear elevational view thereof;

See application file for complete search history.

FIG. 4 is a top plan view thereof;

FIG. 5 is a bottom plan view thereof;

(56) **References Cited**

FIG. 6 is a left side elevational view thereof; and,

FIG. 7 is a right side elevational view thereof.

U.S. PATENT DOCUMENTS

The portions of the camera in broken lines are shown for illustrative purposes only and form no part of the claimed design.

D486,171 S * 2/2004 Nishiura D16/219

D486,848 S * 2/2004 Yamamoto D16/219

D542,322 S * 5/2007 Miyashita D16/218

D546,861 S * 7/2007 Ina et al. D16/219

1 Claim, 4 Drawing Sheets

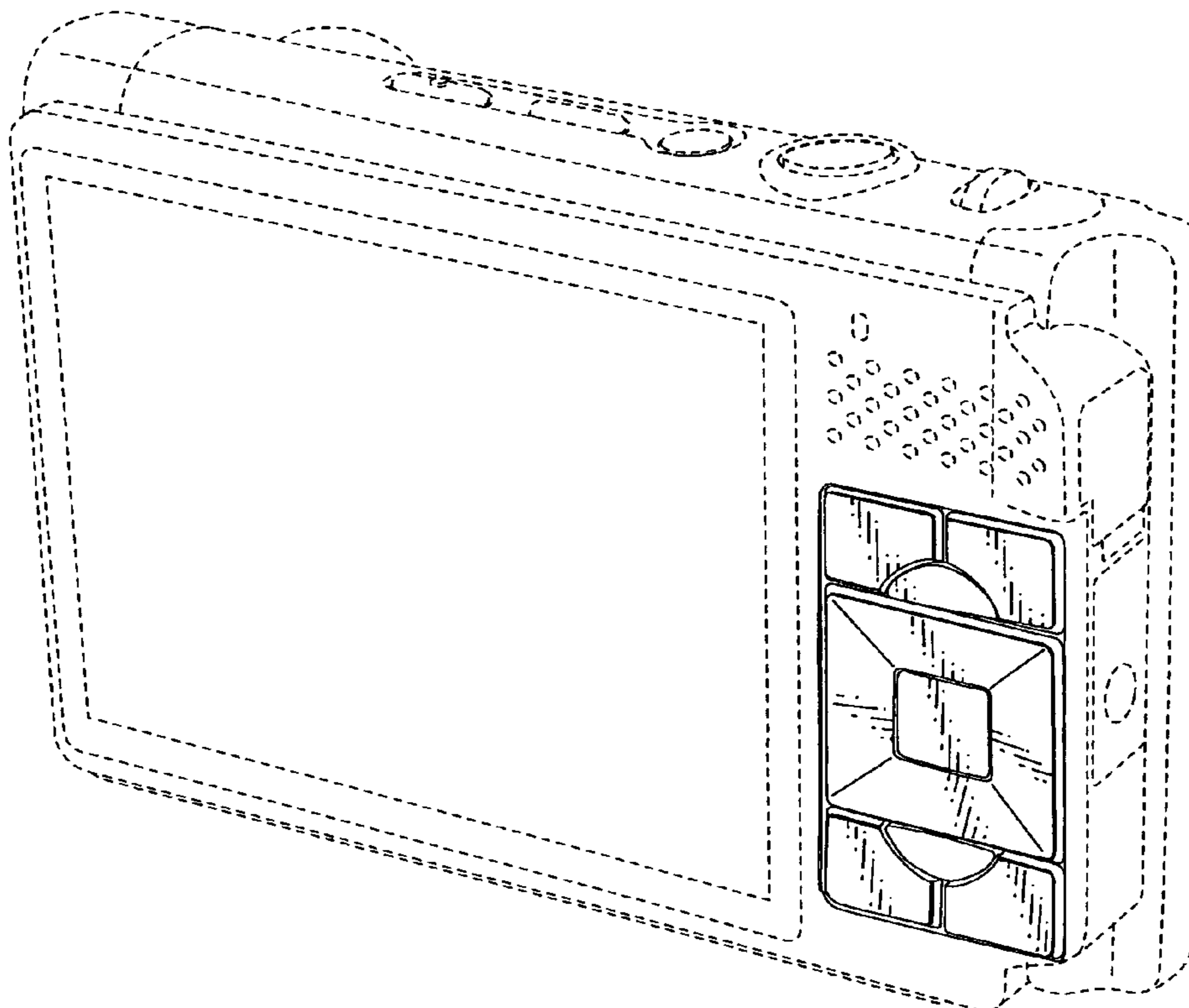


FIG.1

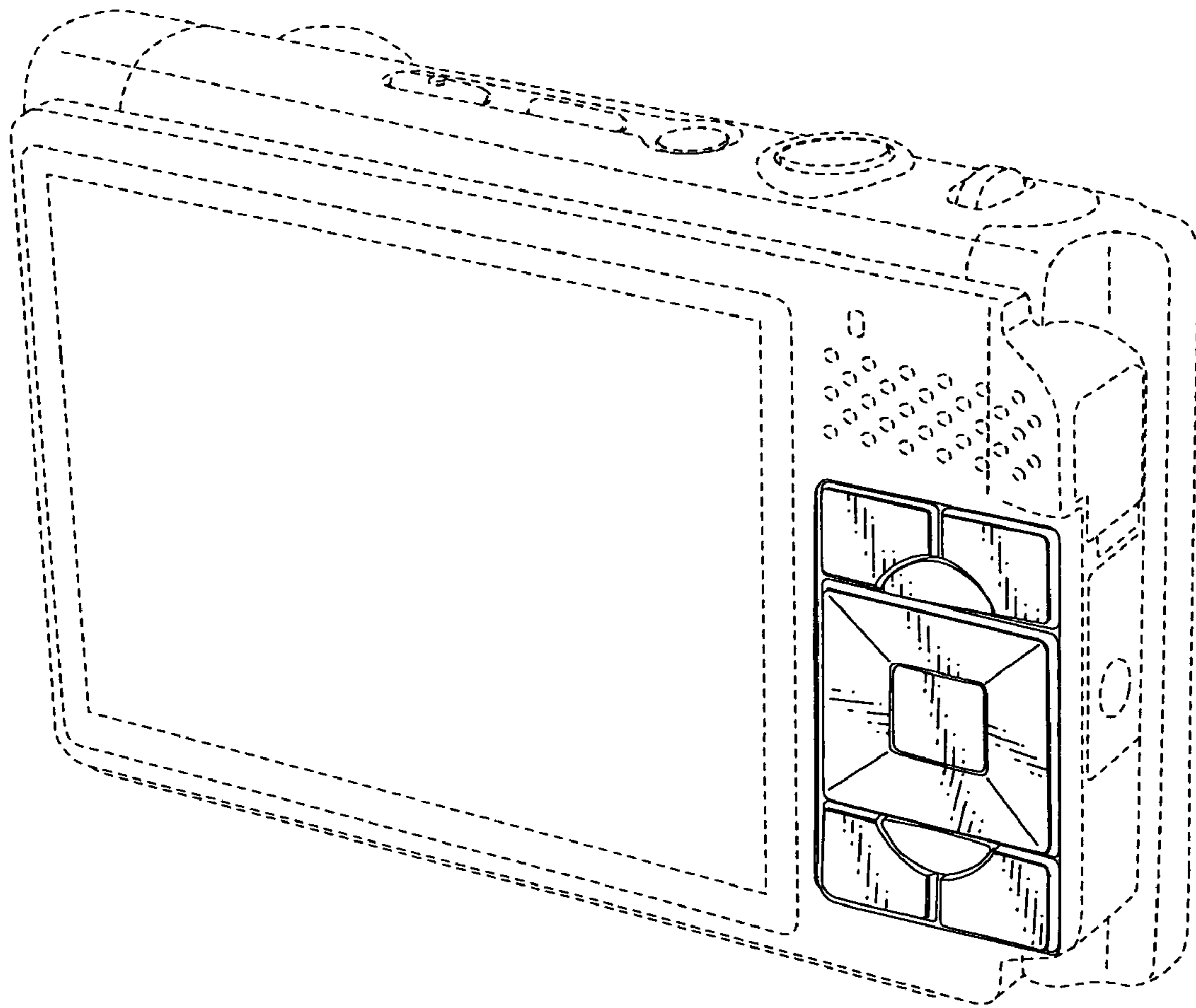


FIG.2

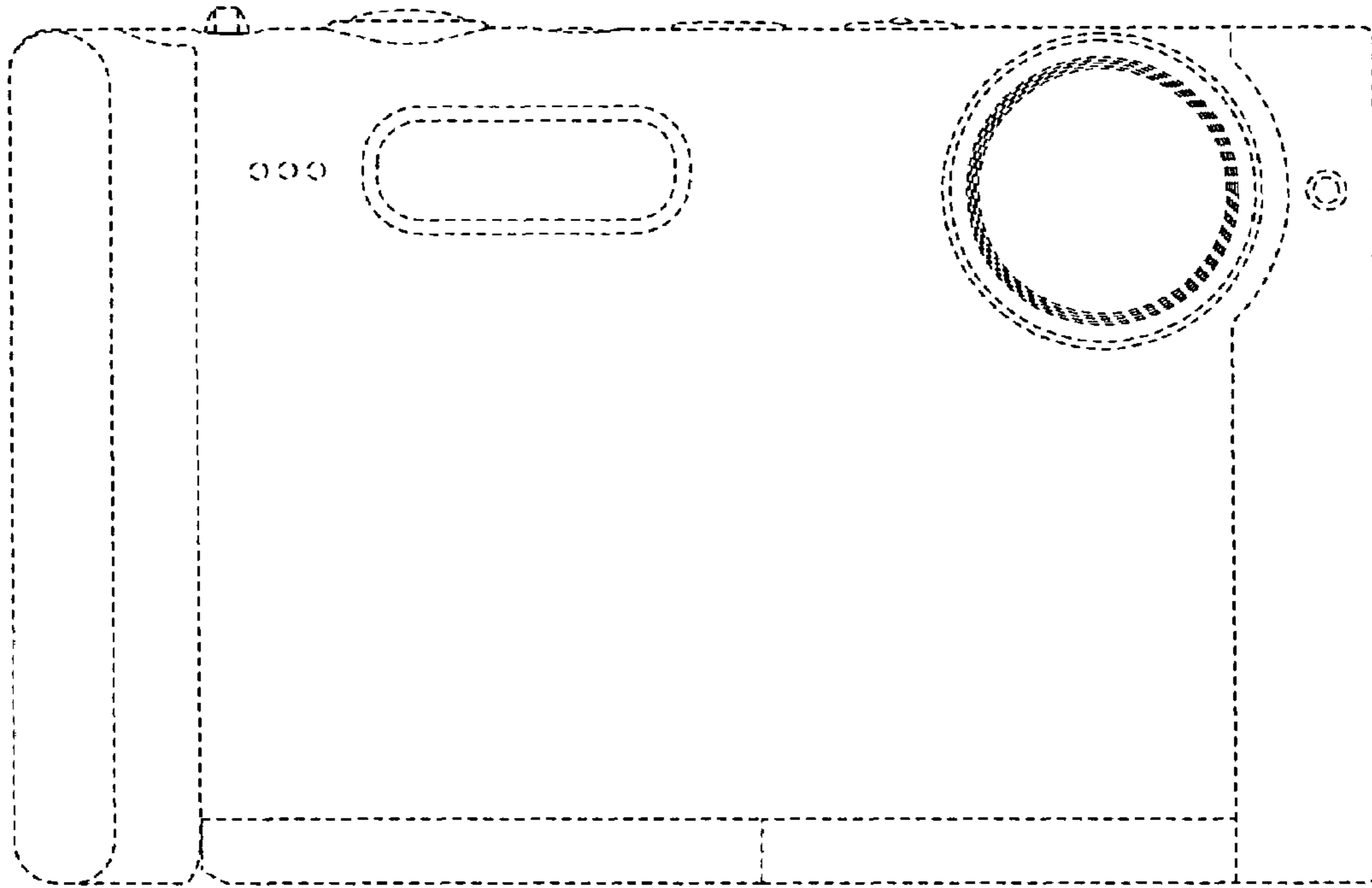


FIG.3

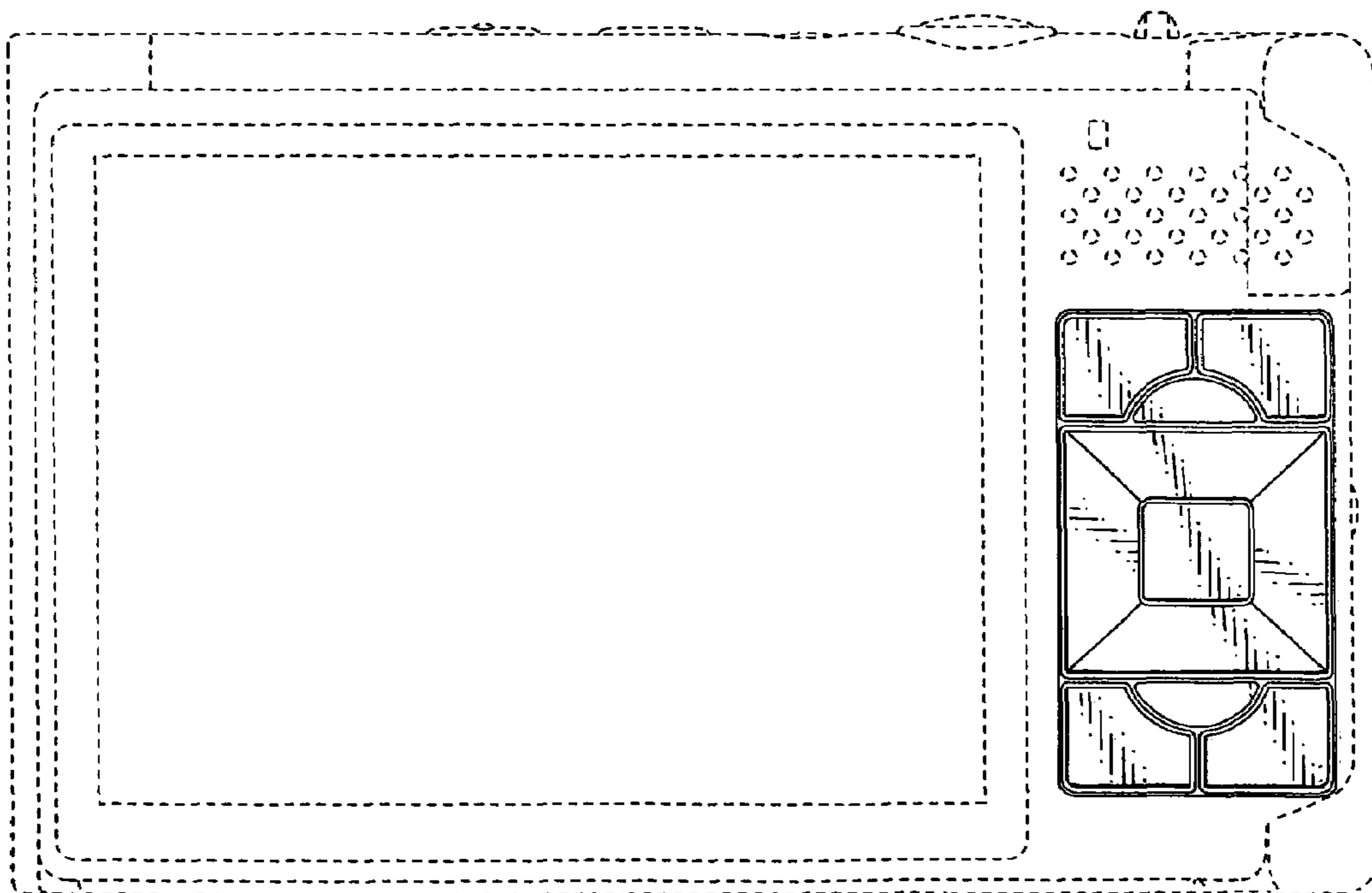


FIG.4

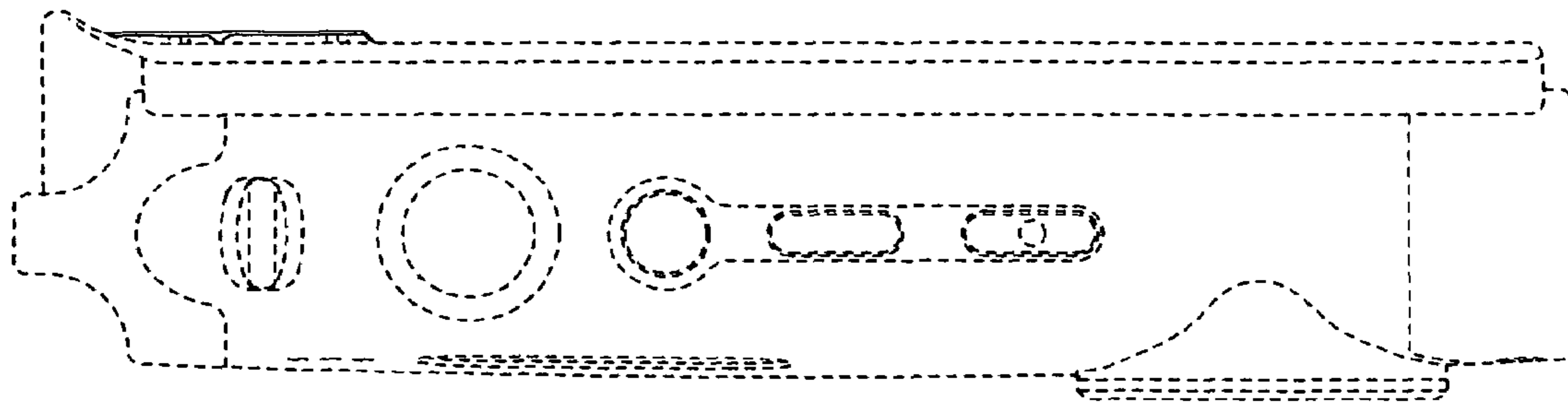


FIG.5

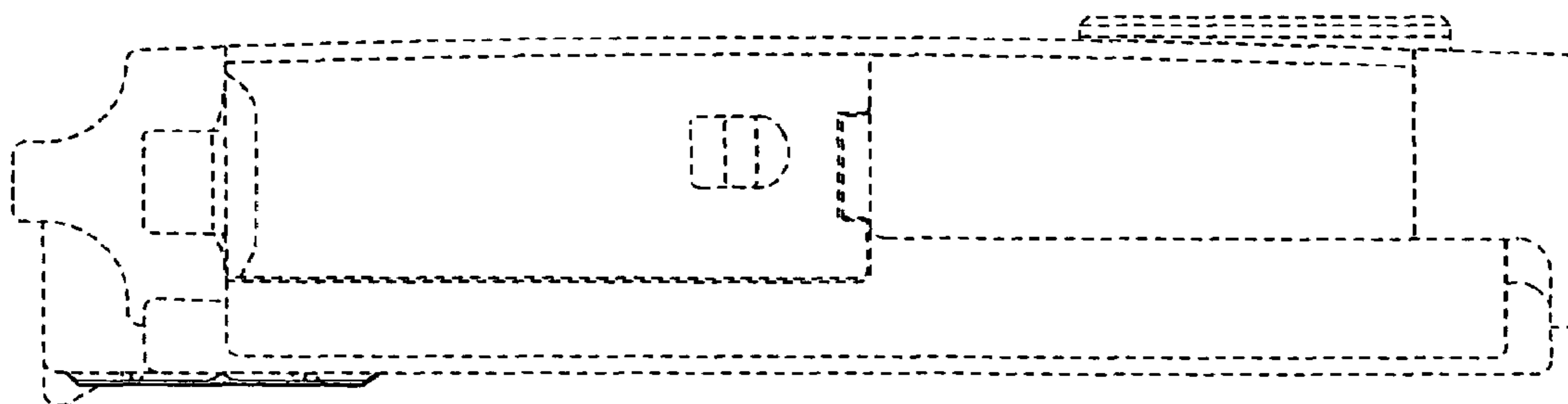


FIG.6

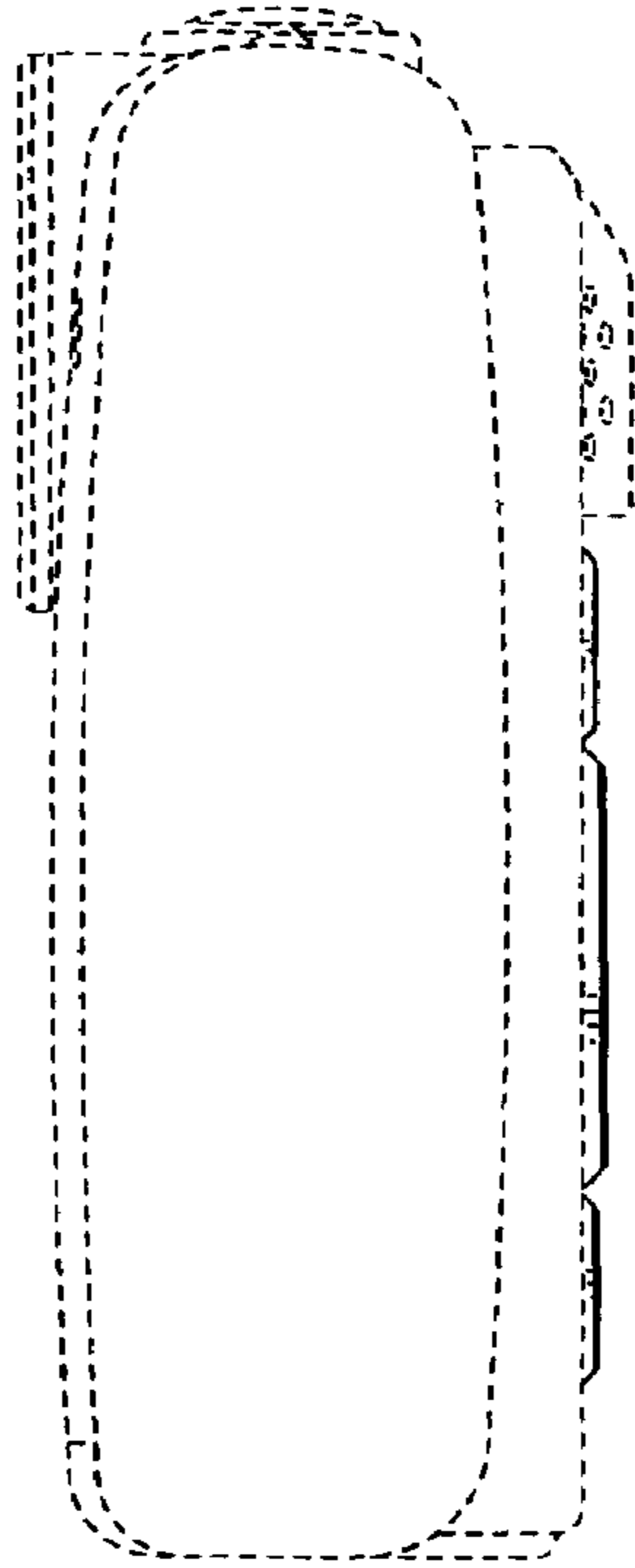


FIG.7

