



US00D560703S

(12) **United States Design Patent** (10) **Patent No.:** **US D560,703 S**
Naito (45) **Date of Patent:** **** Jan. 29, 2008**

(54) **PORTION OF A DIGITAL CAMERA**

2006/0050174 A1* 3/2006 Hsieh 348/373

(75) Inventor: **Yoshitaka Naito**, Ome (JP)

FOREIGN PATENT DOCUMENTS

(73) Assignee: **Olympus Imaging Corp.**, Tokyo (JP)

JP D1231524 2/2005

(**) Term: **14 Years**

OTHER PUBLICATIONS

(21) Appl. No.: **29/245,718**

Casio Wearable Card Camera: EXILIM EX-S100, http://dc.casio.jp/product/exilim/ex_s100/closeup_sl.html, Sep. 19, 2006.

(22) Filed: **Dec. 28, 2005**

* cited by examiner

(51) **LOC (8) Cl.** **16-05**

Primary Examiner—Ian Simmons

(52) **U.S. Cl.** **D16/219**

Assistant Examiner—Wan Laymon

(58) **Field of Classification Search** D16/200–206,
D16/208–209, 213, 217–219, 135, 134, 136,
D16/131; 348/373–376; 358/906, 909.1;
396/529–541, 6, 544; 359/815, 819, 826–828;
D8/387; 411/366.1, 387.1, 393, 378, 402,
411/403

(74) *Attorney, Agent, or Firm*—Hogan & Hartson LLP

See application file for complete search history.

(57) **CLAIM**

The ornamental design for a portion of a digital camera, as shown and described.

(56) **References Cited**

DESCRIPTION

U.S. PATENT DOCUMENTS

FIG. 1 is a front, top and right side perspective view of a portion of a digital camera, showing my new design;

2,376,829 A * 5/1945 Sokolowsky 411/393
2,940,495 A * 6/1960 Wing D8/387
D373,593 S * 9/1996 Hiroko et al. D16/203
D438,883 S * 3/2001 Ishibashi et al. D16/219
D439,588 S * 3/2001 Bergstrom et al. D16/203
D480,741 S * 10/2003 Berger et al. D16/202
D496,956 S * 10/2004 Wani D16/219
D501,497 S * 2/2005 Hayamizu D16/219
D513,029 S * 12/2005 Zernov D16/204
D519,141 S * 4/2006 Hayashi D16/202
D522,560 S * 6/2006 Inaba D16/219
D529,064 S * 9/2006 Badalian D16/203

FIG. 2 is a top plan view thereof;

FIG. 3 is a front elevational view thereof;

FIG. 4 is a bottom plan view thereof;

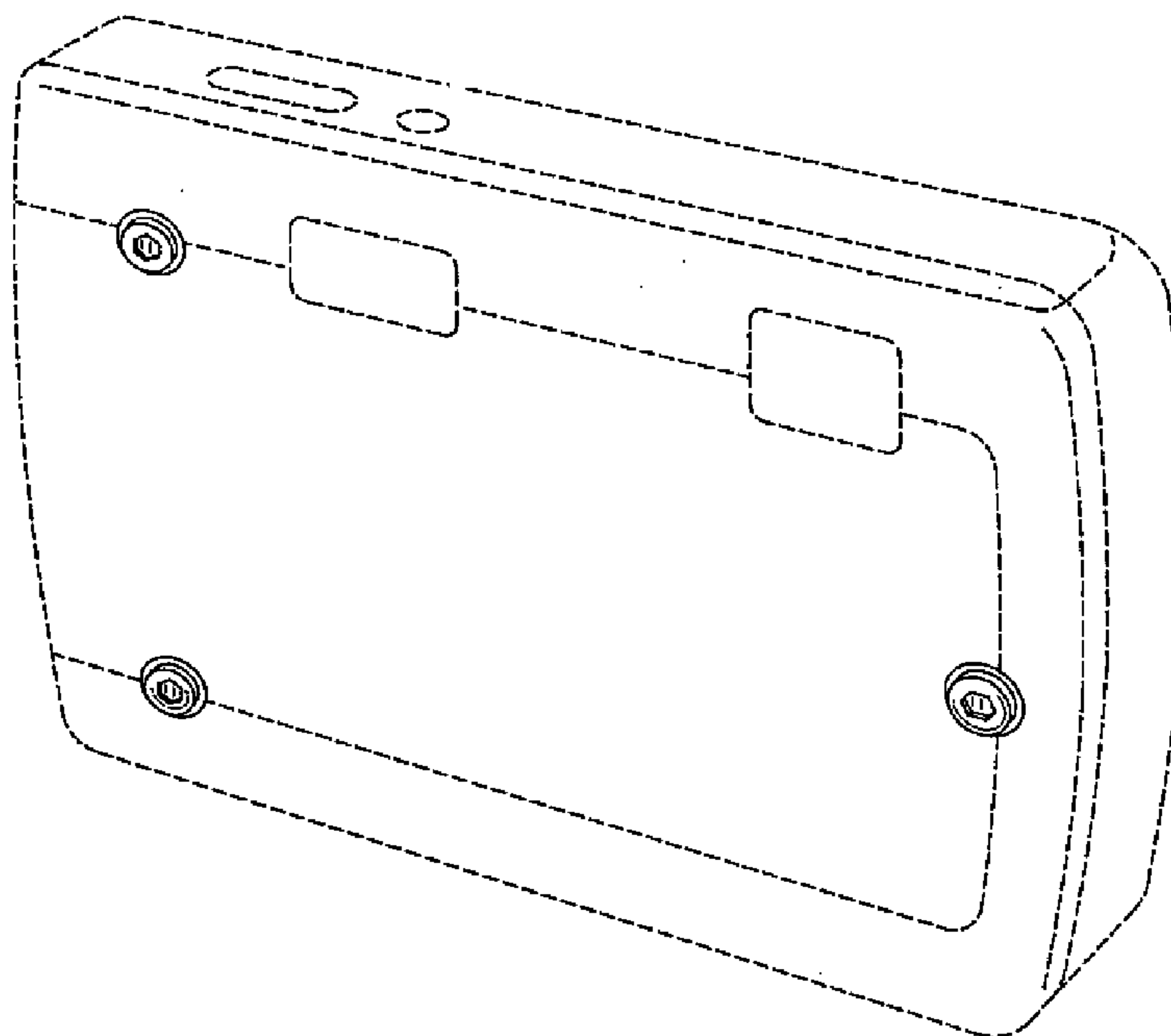
FIG. 5 is a rear elevational view thereof;

FIG. 6 is a left side elevational view thereof; and,

FIG. 7 is a right side elevational view thereof.

The broken lines are for illustrative purposes only and form no part of the claimed design.

1 Claim, 4 Drawing Sheets



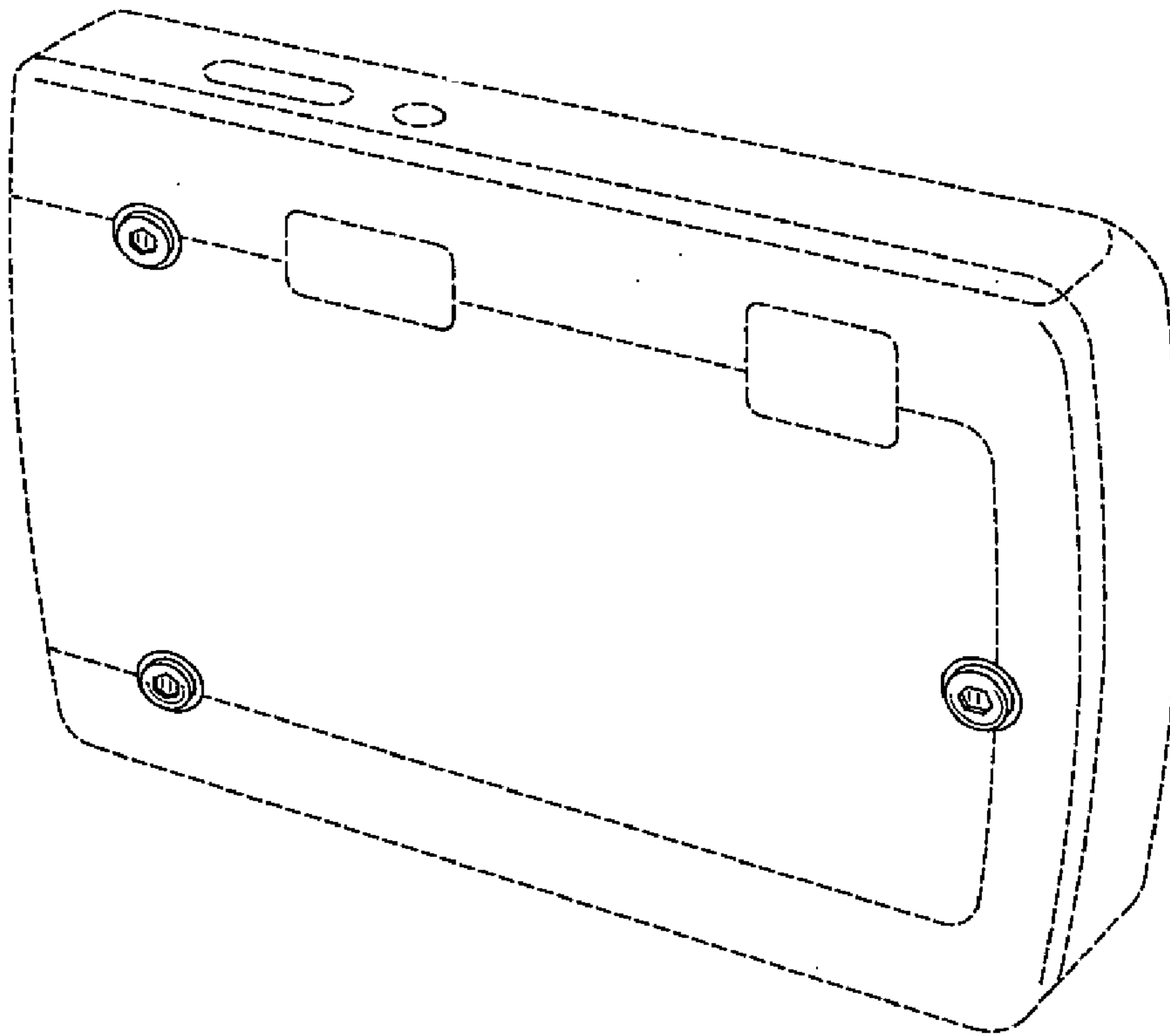


FIG. 1

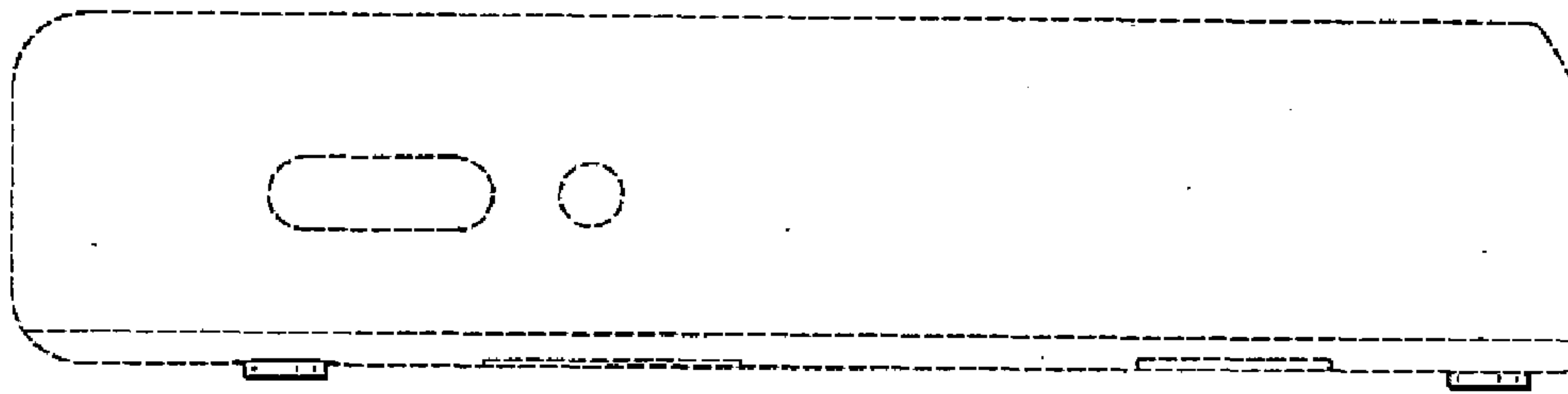


FIG. 2

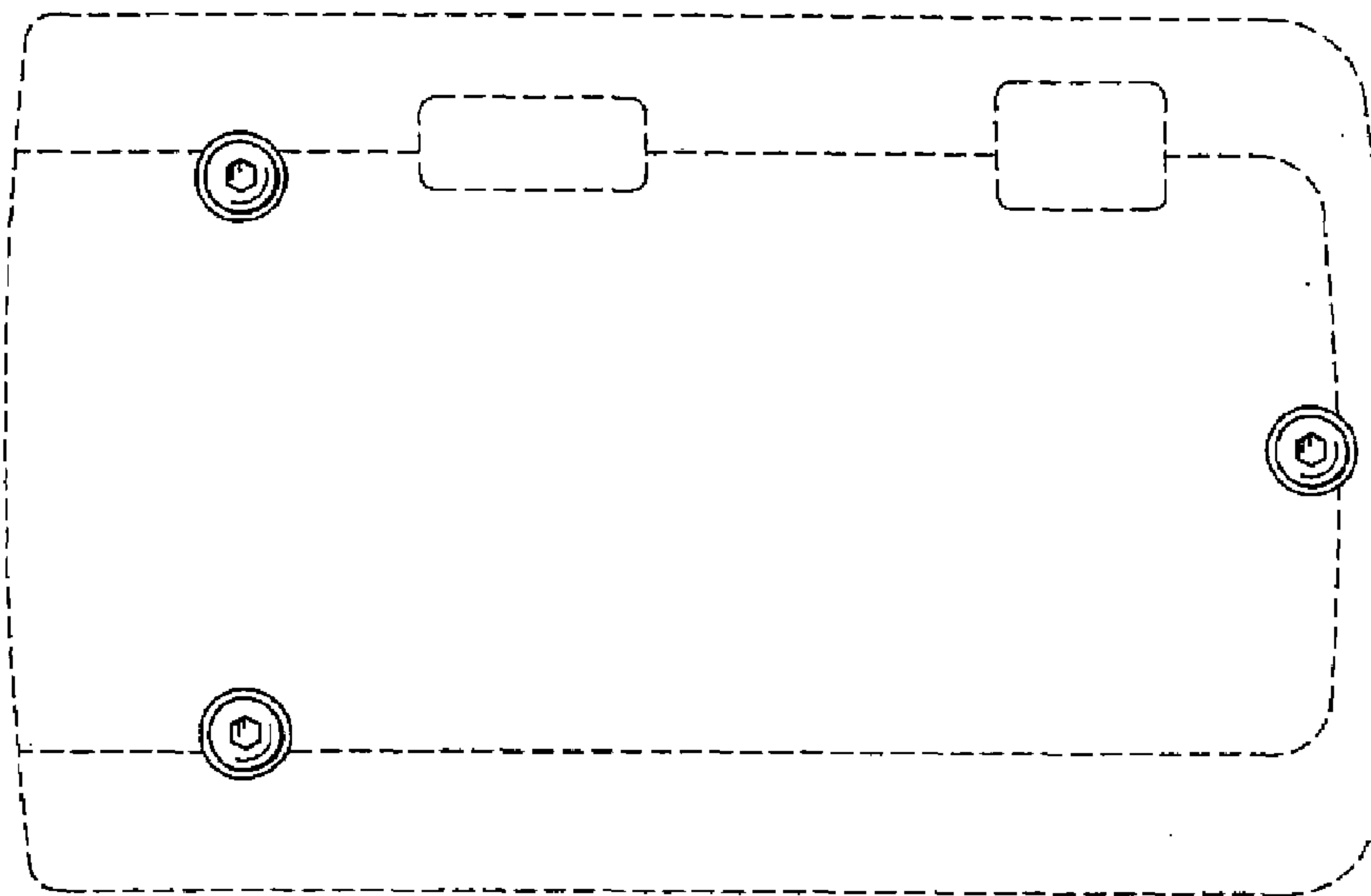


FIG. 3

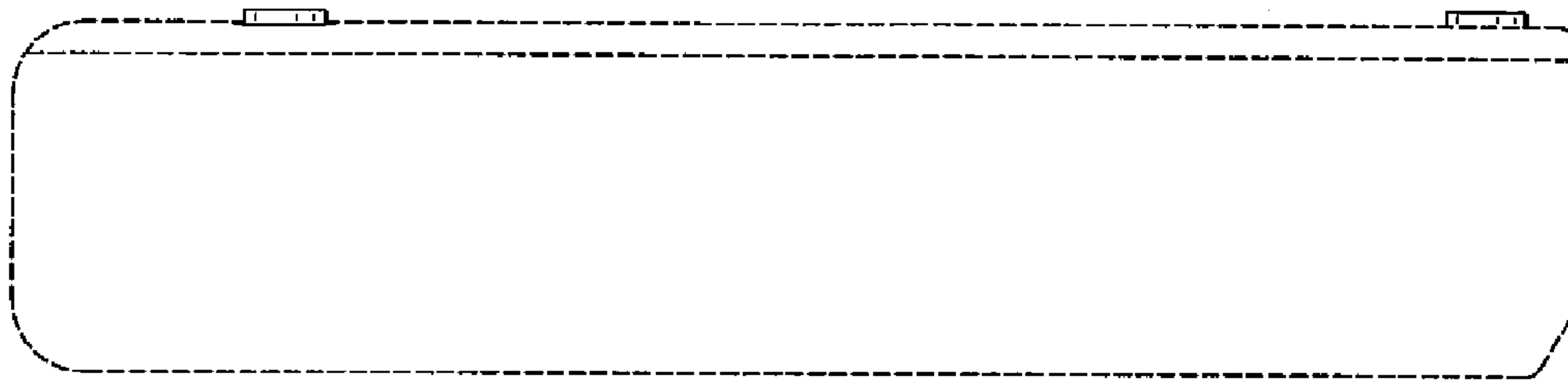


FIG. 4

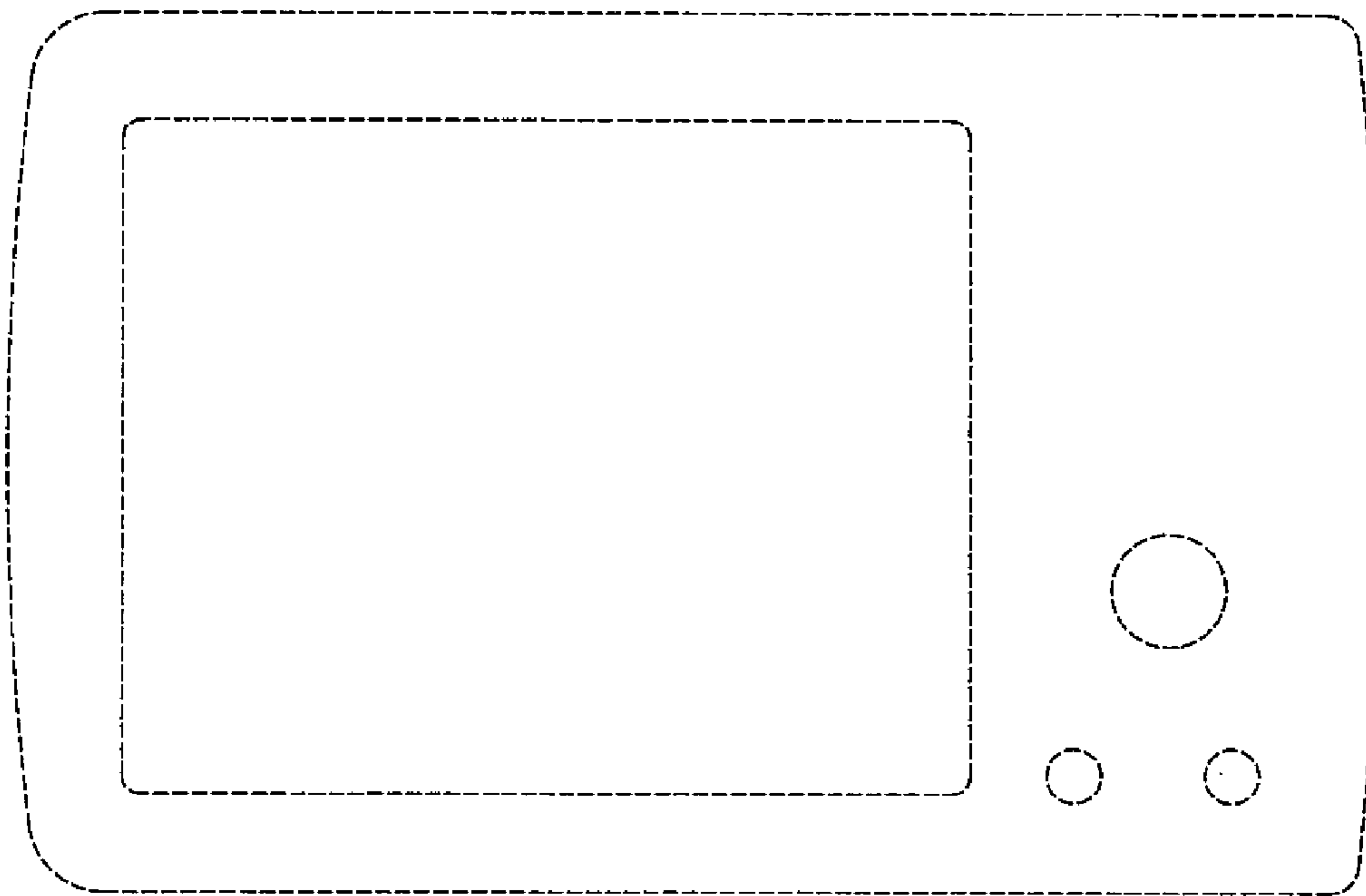


FIG. 5

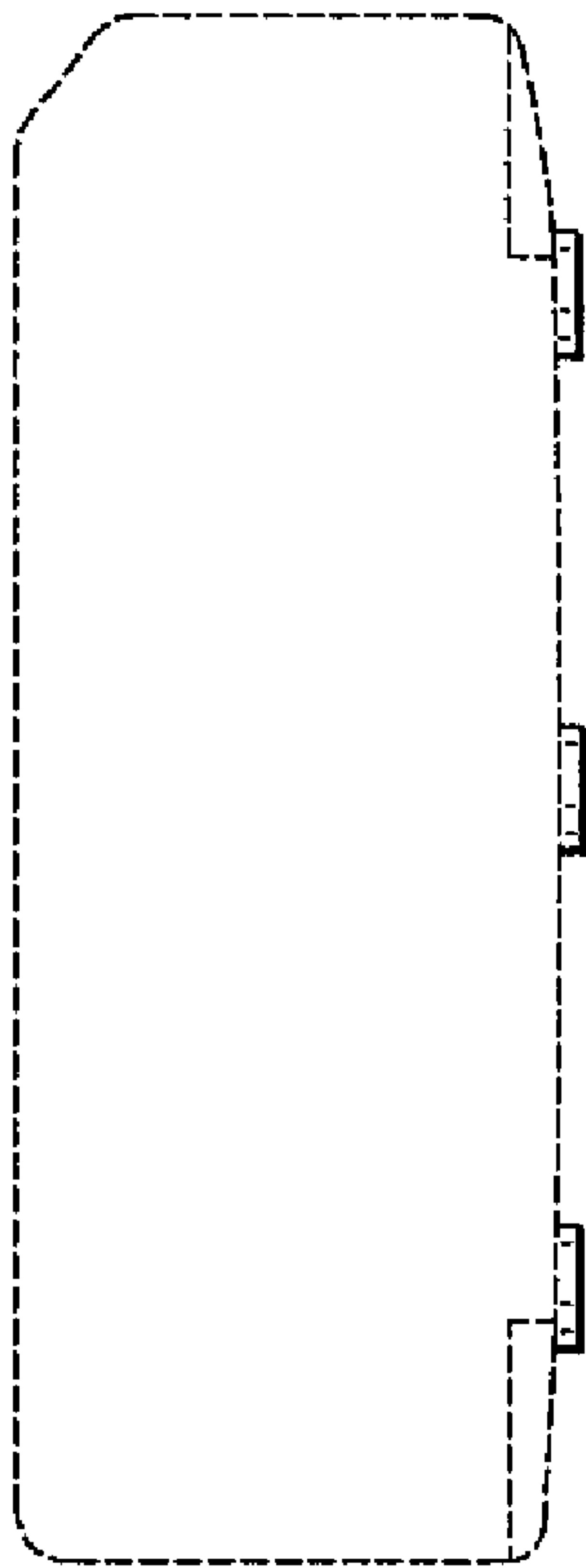


FIG. 6

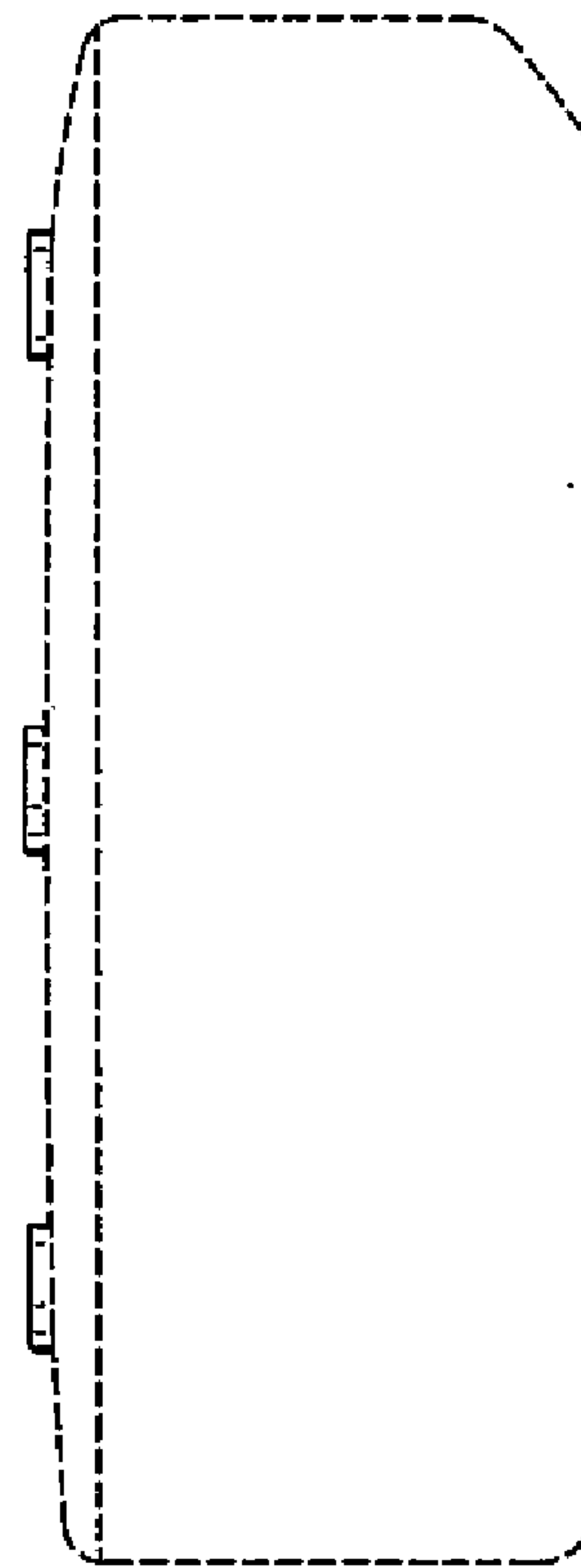


FIG. 7