

US00D560702S

(12) **United States Design Patent**
Tokiwa et al.

(10) **Patent No.:** **US D560,702 S**
(45) **Date of Patent:** **** Jan. 29, 2008**

(54) **IMAGE TRANSMITTER**

D537,462 S * 2/2007 Tokiwa et al. D16/219

(75) Inventors: **Kentaro Tokiwa**, Asaka (JP); **Takehiko Senba**, Asaka (JP); **Hiroshi Tanaka**, Asaka (JP)

* cited by examiner

Primary Examiner—Ian Simmons

Assistant Examiner—Wan Laymon

(73) Assignee: **Fujifilm Corporation**, Tokyo (JP)

(74) *Attorney, Agent, or Firm*—Young & Thompson

(**) Term: **14 Years**

(57) **CLAIM**

(21) Appl. No.: **29/235,883**

The ornamental design for an image transmitter, as shown and described.

(22) Filed: **Aug. 9, 2005**

DESCRIPTION

(30) **Foreign Application Priority Data**

Feb. 10, 2005 (JP) 2005-003642

FIG. 1 is a top, front and side perspective view of an image transmitter showing our new design;

(51) **LOC (8) Cl.** **16-01**

FIG. 2 is a front elevational view thereof;

(52) **U.S. Cl.** **D16/208; D16/219**

FIG. 3 is a rear elevational view thereof;

(58) **Field of Classification Search** D16/200–205,

FIG. 4 is a top plan view thereof;

D16/208, 218–219, 134, 136; D14/130;

FIG. 5 is a bottom plan view thereof;

D6/300, 310; D8/349, 354; 248/200, 300;

FIG. 6 is a side elevational view thereof from the left of FIG. 2;

348/14.01–14.1, 373–376; 396/529–532,

FIG. 7 is a side elevational view thereof from the right of FIG. 2;

396/419, 429, 430, 535–541

See application file for complete search history.

FIG. 8 is a view similar to FIG. 1 with the parts in a different position; and,

(56) **References Cited**

U.S. PATENT DOCUMENTS

- D437,543 S * 2/2001 Mudryk et al. D8/354
- D441,000 S * 4/2001 Vanderwilt et al. D16/202
- D475,385 S * 6/2003 Christianson D16/202
- D517,585 S * 3/2006 Iino et al. D16/203
- D536,719 S * 2/2007 Lukic et al. D16/202

FIG. 9 is a top, front and side perspective view thereof, with the lens portion shown in broken line for illustrative purpose only and form no part of the claimed design.

1 Claim, 5 Drawing Sheets

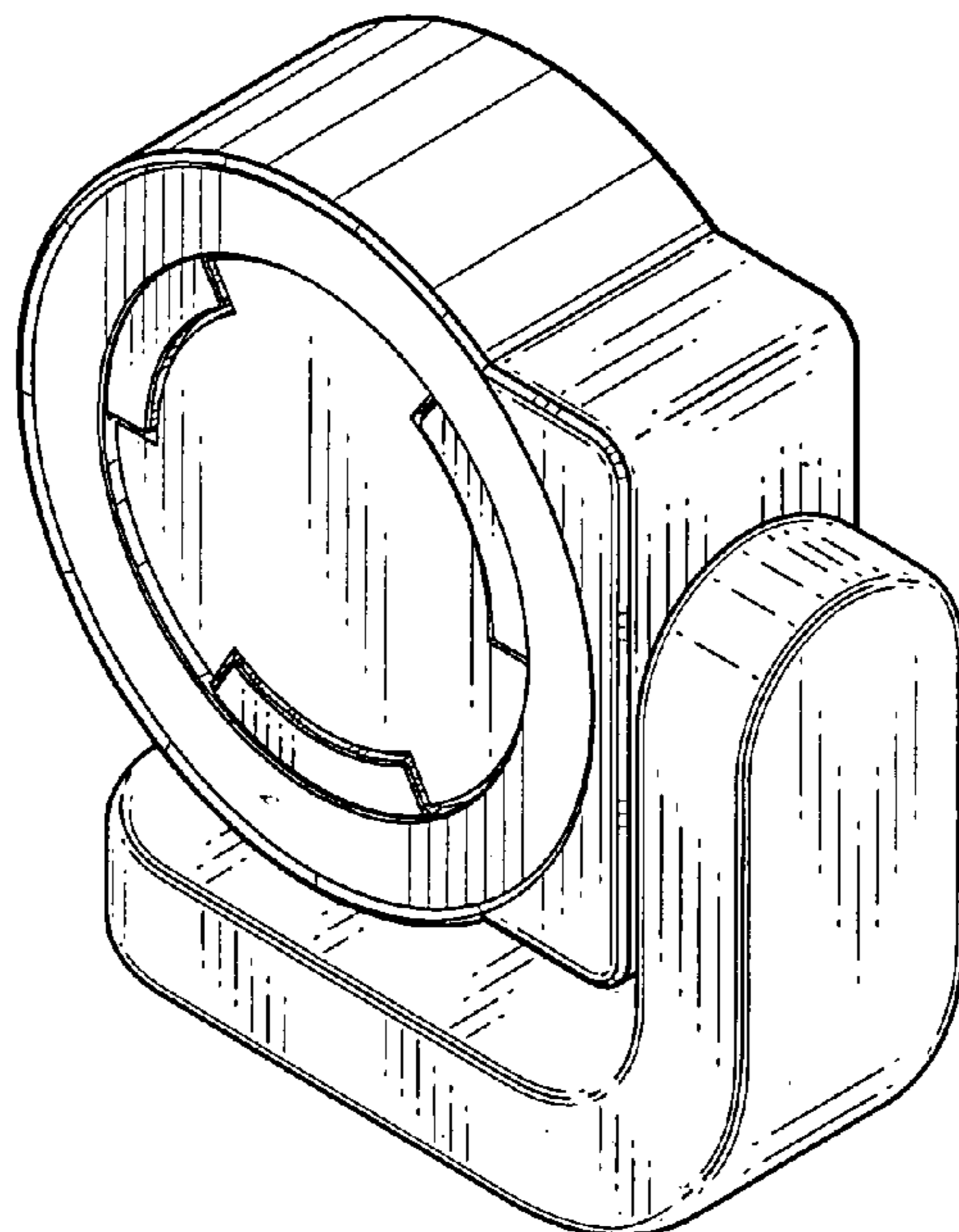


FIG. 1

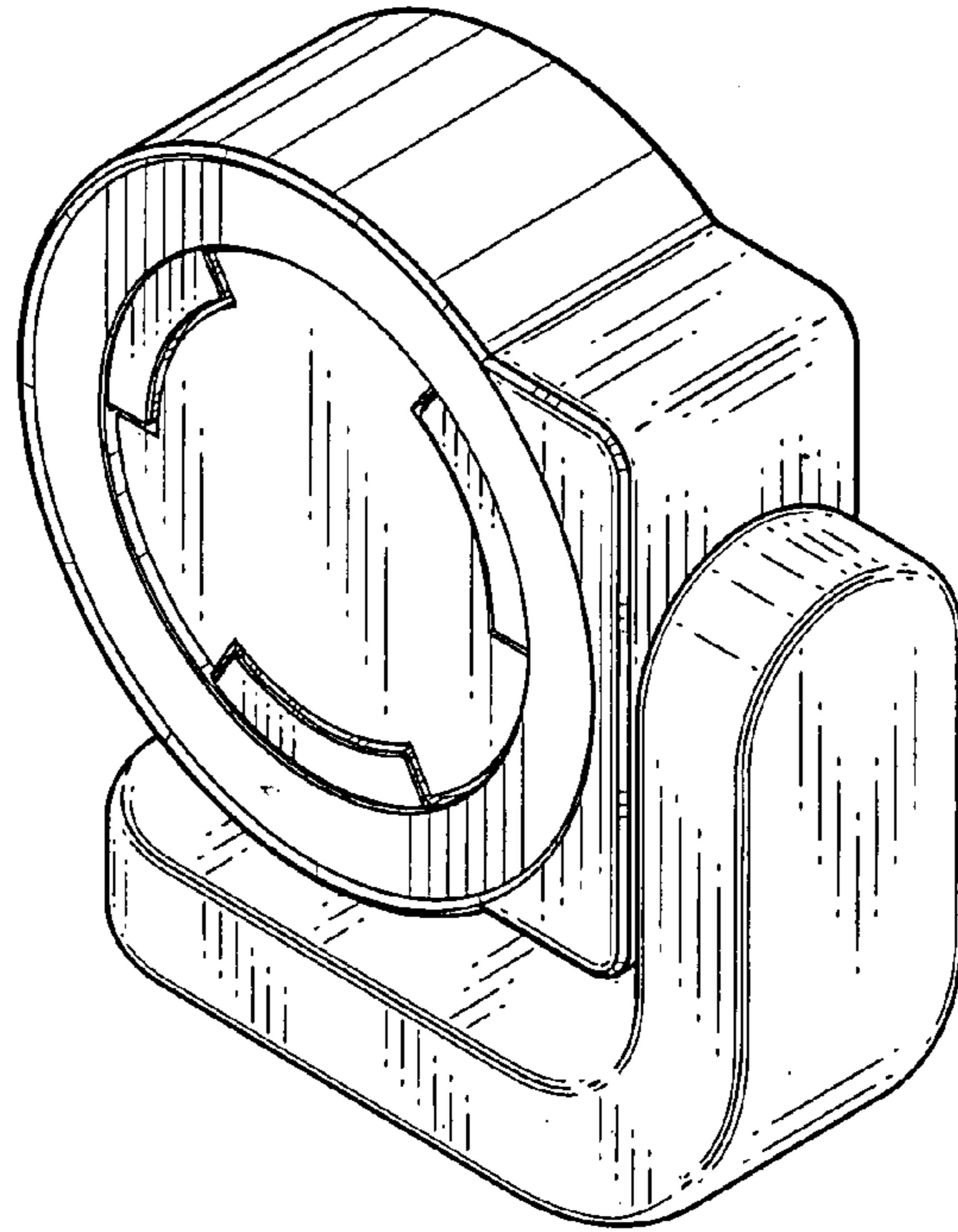


FIG. 2

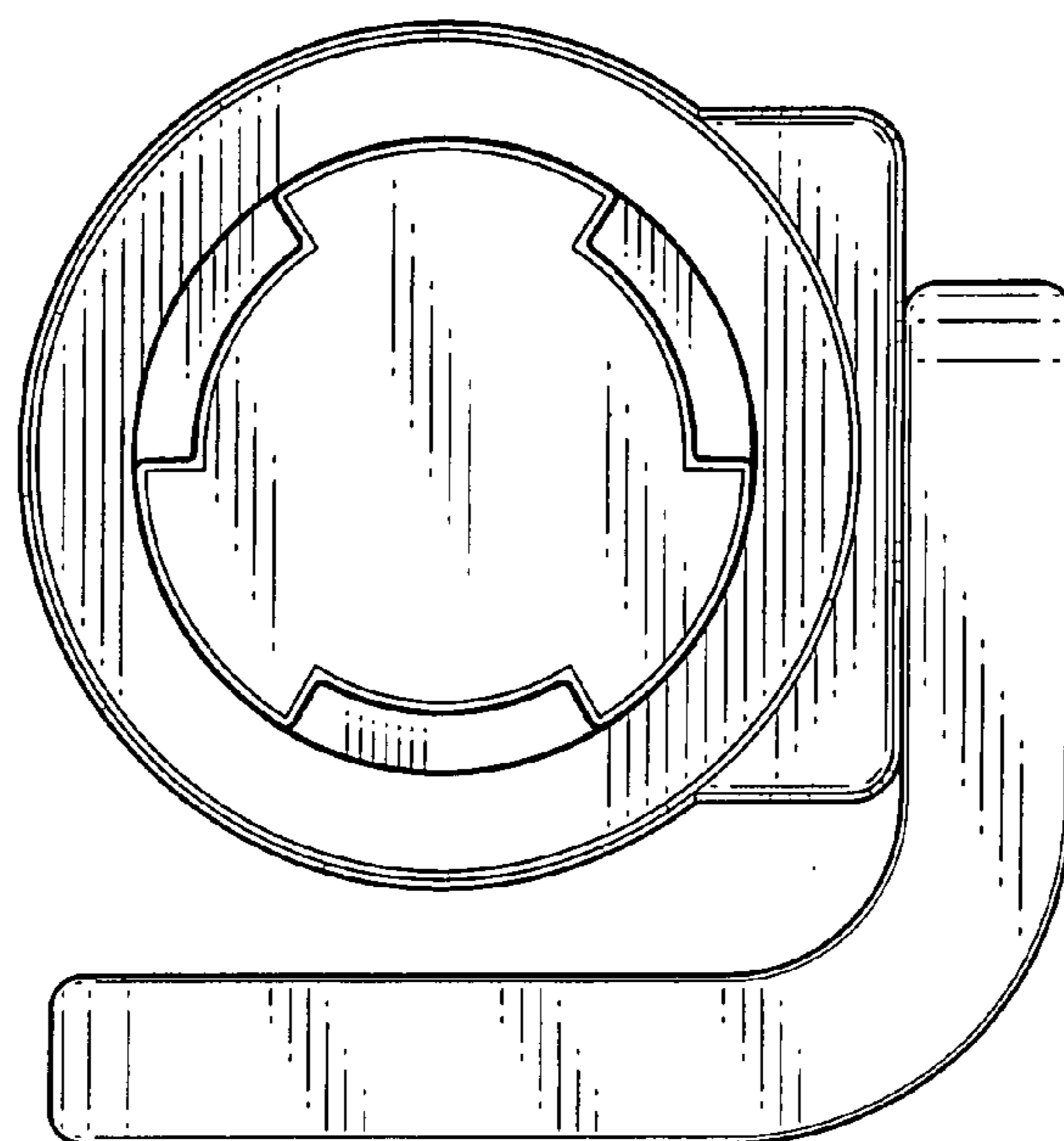


FIG.3

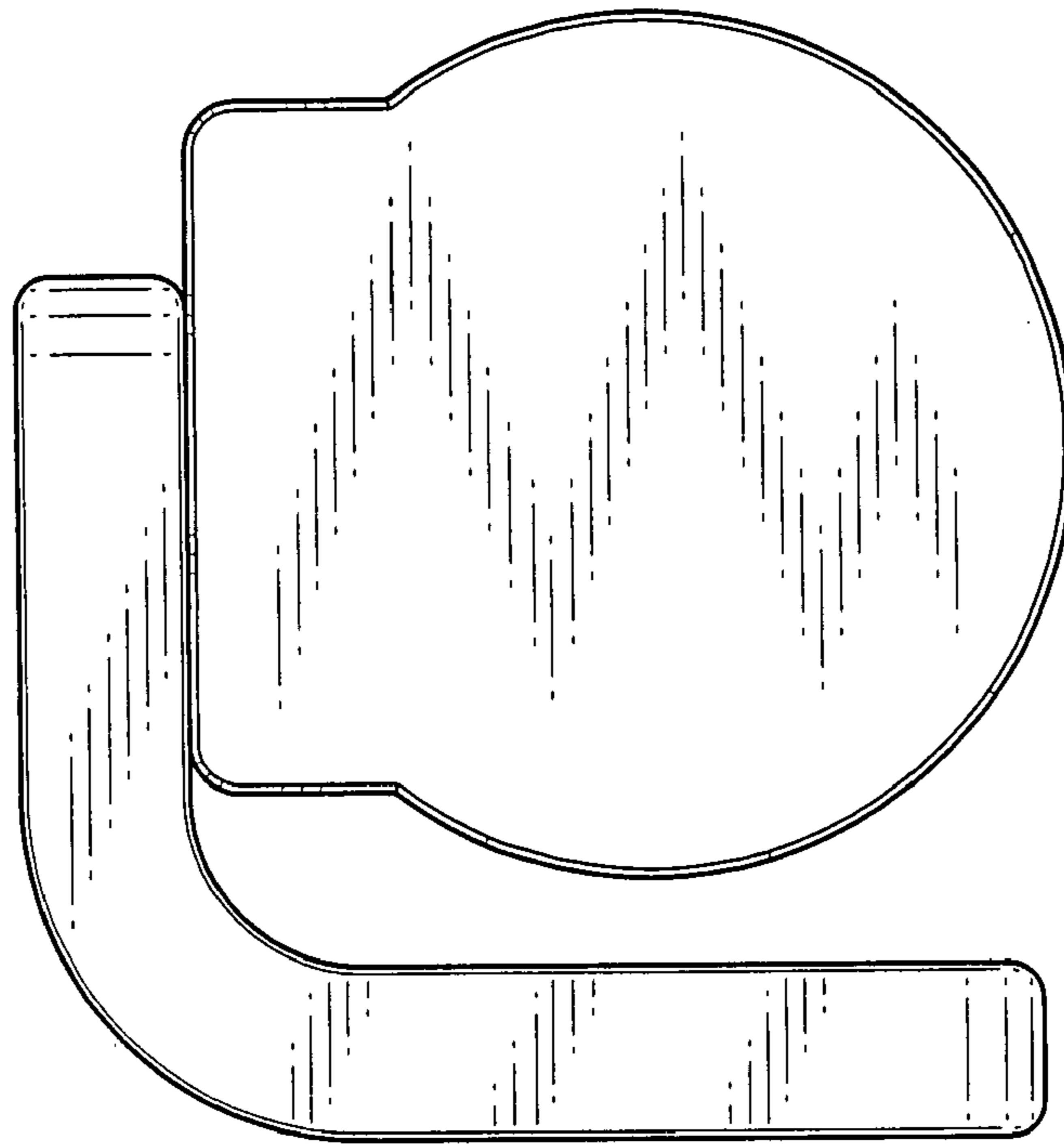


FIG.4

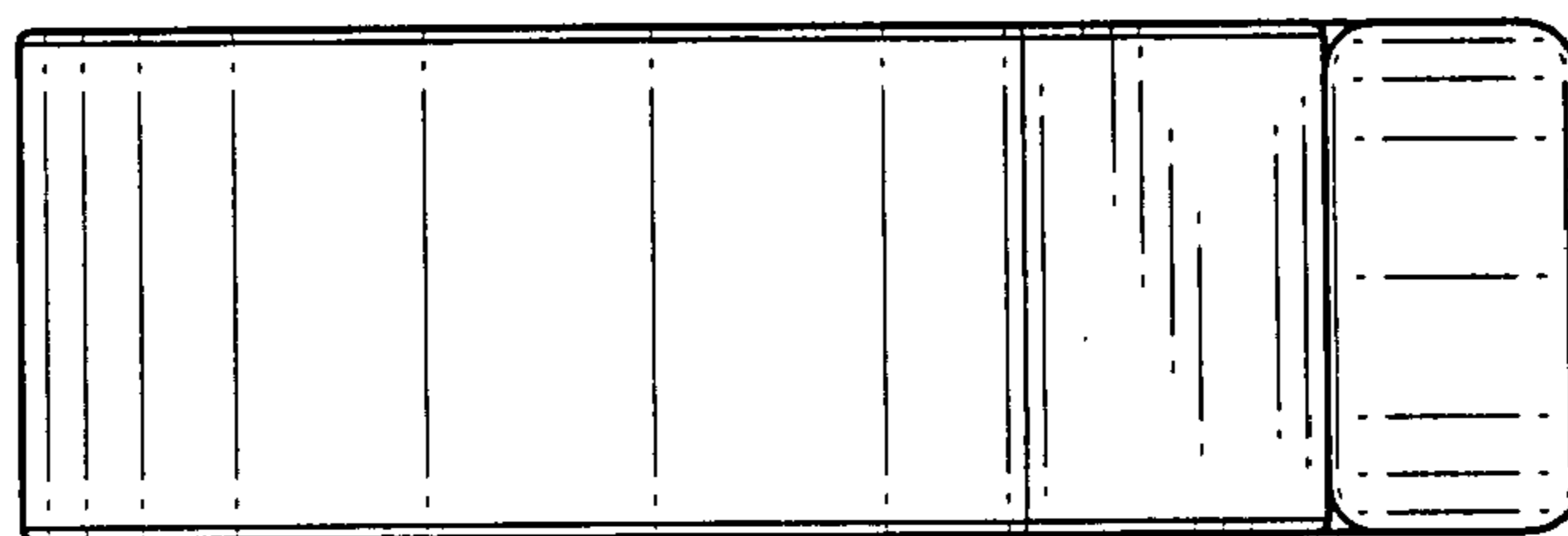


FIG. 5

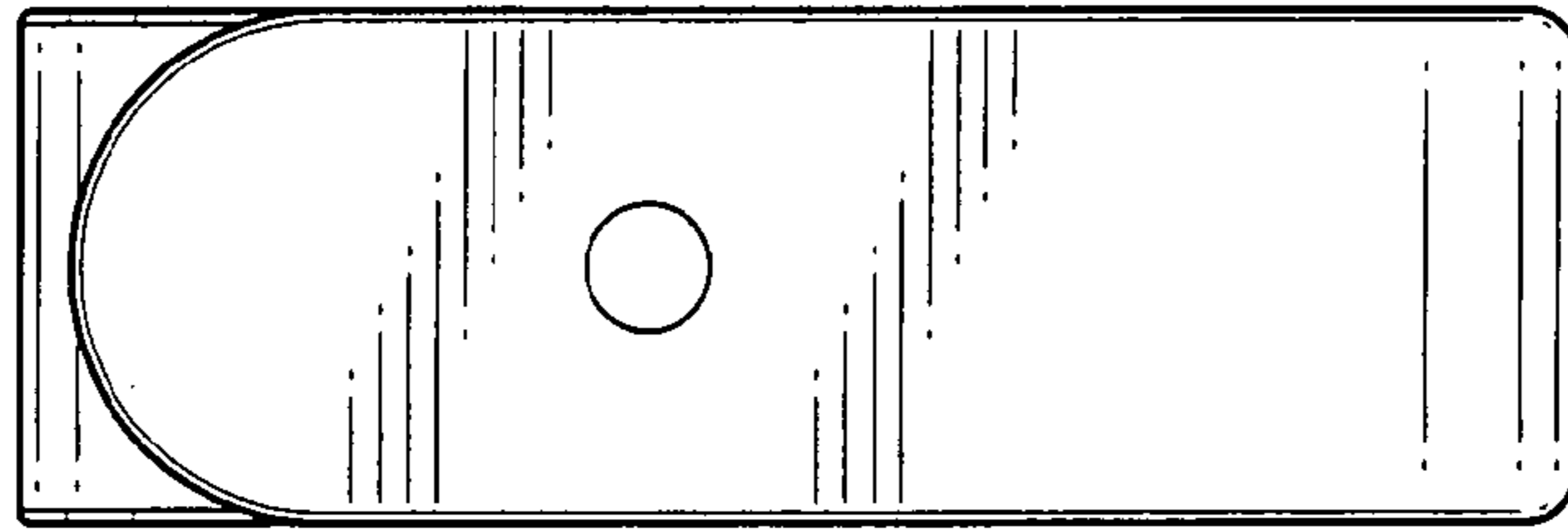


FIG. 6

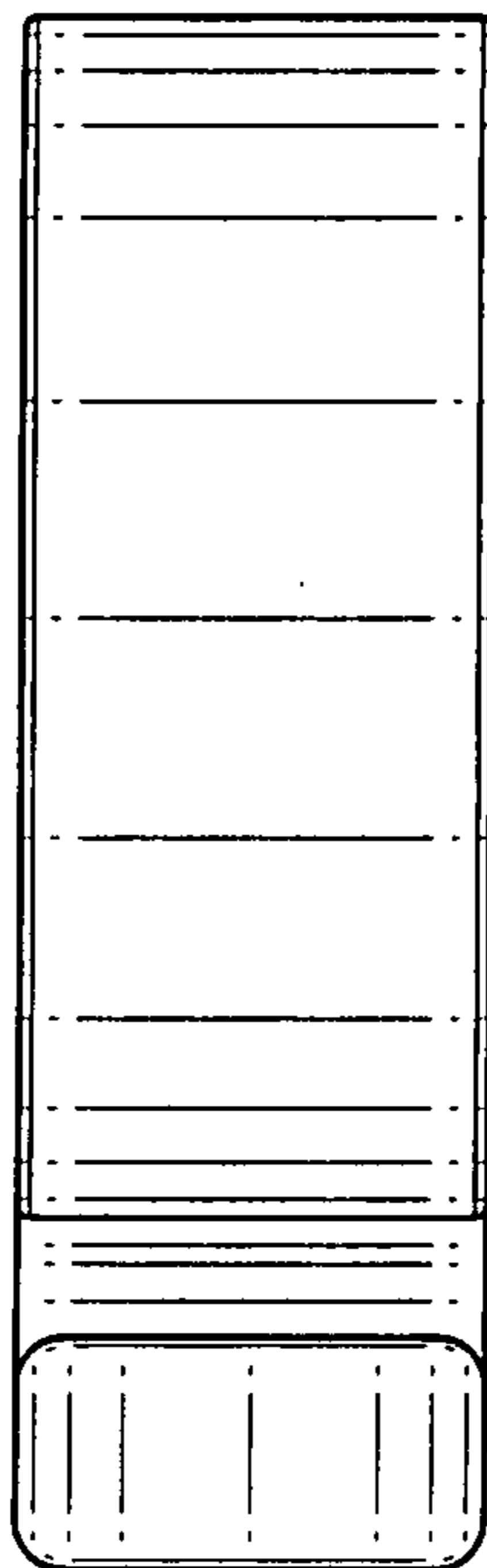


FIG. 7

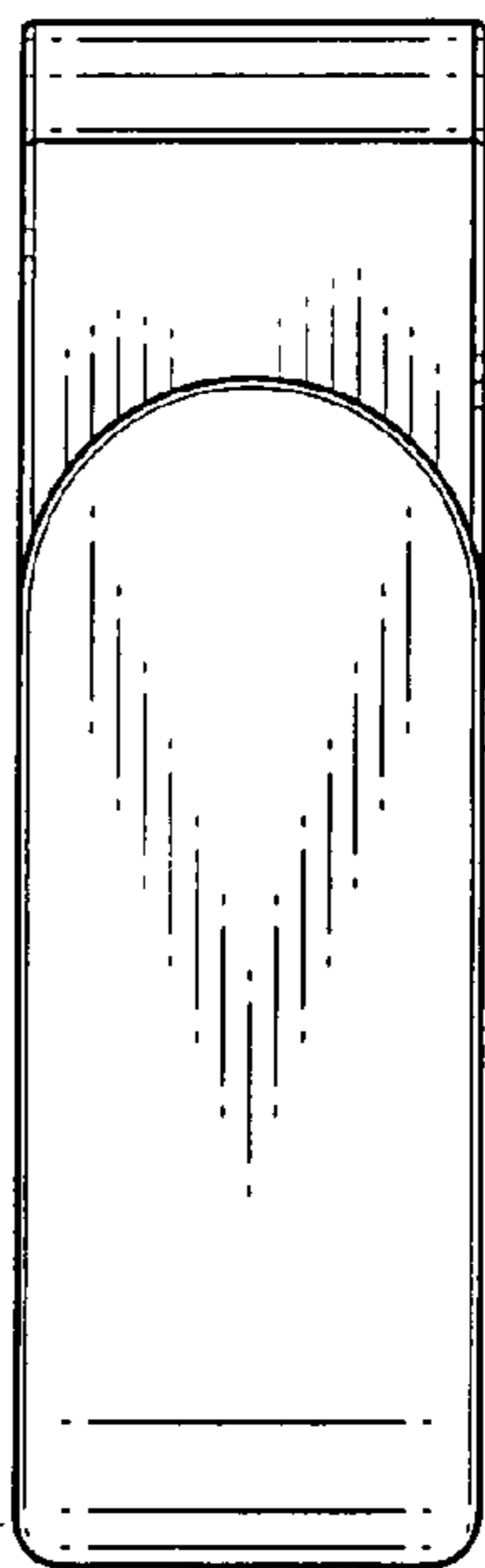


FIG. 8

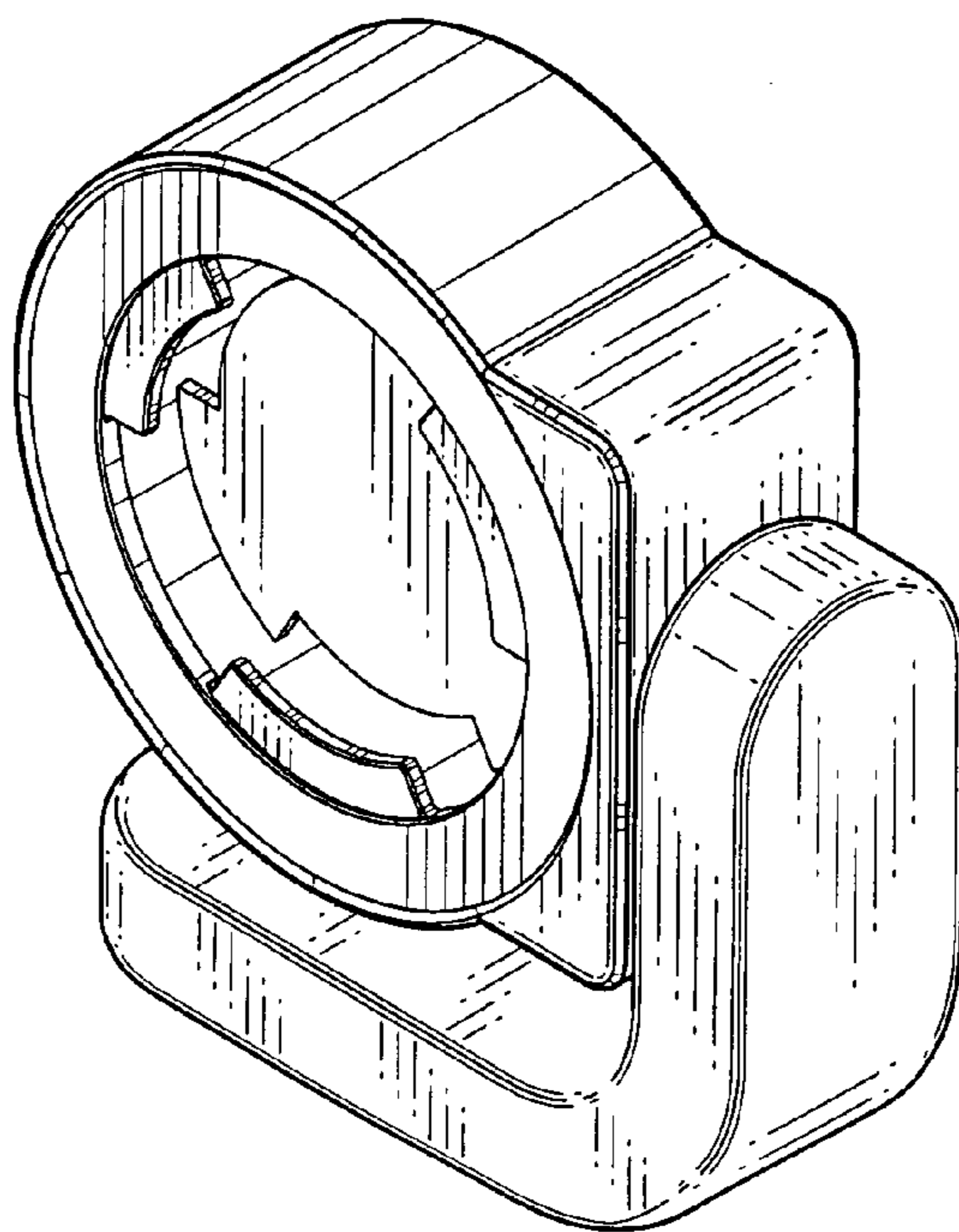


FIG. 9

