

US00D560701S

(12) **United States Design Patent**  
**Watanabe**

(10) **Patent No.:** **US D560,701 S**  
(45) **Date of Patent:** **\*\* Jan. 29, 2008**

(54) **DIGITAL CAMERA**

(75) Inventor: **Akira Watanabe**, Saitama (JP)

(73) Assignee: **PENTAX Corporation**, Tokyo (JP)

(\*\*) Term: **14 Years**

(21) Appl. No.: **29/270,841**

(22) Filed: **Jan. 5, 2007**

(30) **Foreign Application Priority Data**

Jul. 10, 2006 (JP) ..... 2006-018126

(51) **LOC (8) Cl.** ..... **16-01**

(52) **U.S. Cl.** ..... **D16/202**

(58) **Field of Classification Search** ..... D16/200–204,  
D16/208, 218, 219; 348/373–376; 358/909.1;  
396/535–541

See application file for complete search history.

(56) **References Cited**

**U.S. PATENT DOCUMENTS**

- D496,380 S \* 9/2004 Isomoto ..... D16/202
- D516,599 S \* 3/2006 Nakamura ..... D16/202
- D532,030 S \* 11/2006 Yoshida ..... D16/202
- D533,574 S \* 12/2006 Hamamura ..... D16/202
- D533,886 S \* 12/2006 Shimizu ..... D16/202

- D535,314 S \* 1/2007 Chang ..... D16/202
- D548,252 S \* 8/2007 Tajima ..... D16/202
- 2005/0057685 A1 \* 3/2005 Yamaguchi ..... 348/375

\* cited by examiner

*Primary Examiner*—Adir Aronovich

(74) *Attorney, Agent, or Firm*—Sughrue Mion, PLLC

(57) **CLAIM**

The ornamental design for a digital camera, as shown and described.

**DESCRIPTION**

FIG. 1 is a perspective view of the top, front and right side of a digital camera showing my new design;

FIG. 2 is a top plan view thereof;

FIG. 3 is a front elevational view thereof;

FIG. 4 is a rear elevational view thereof;

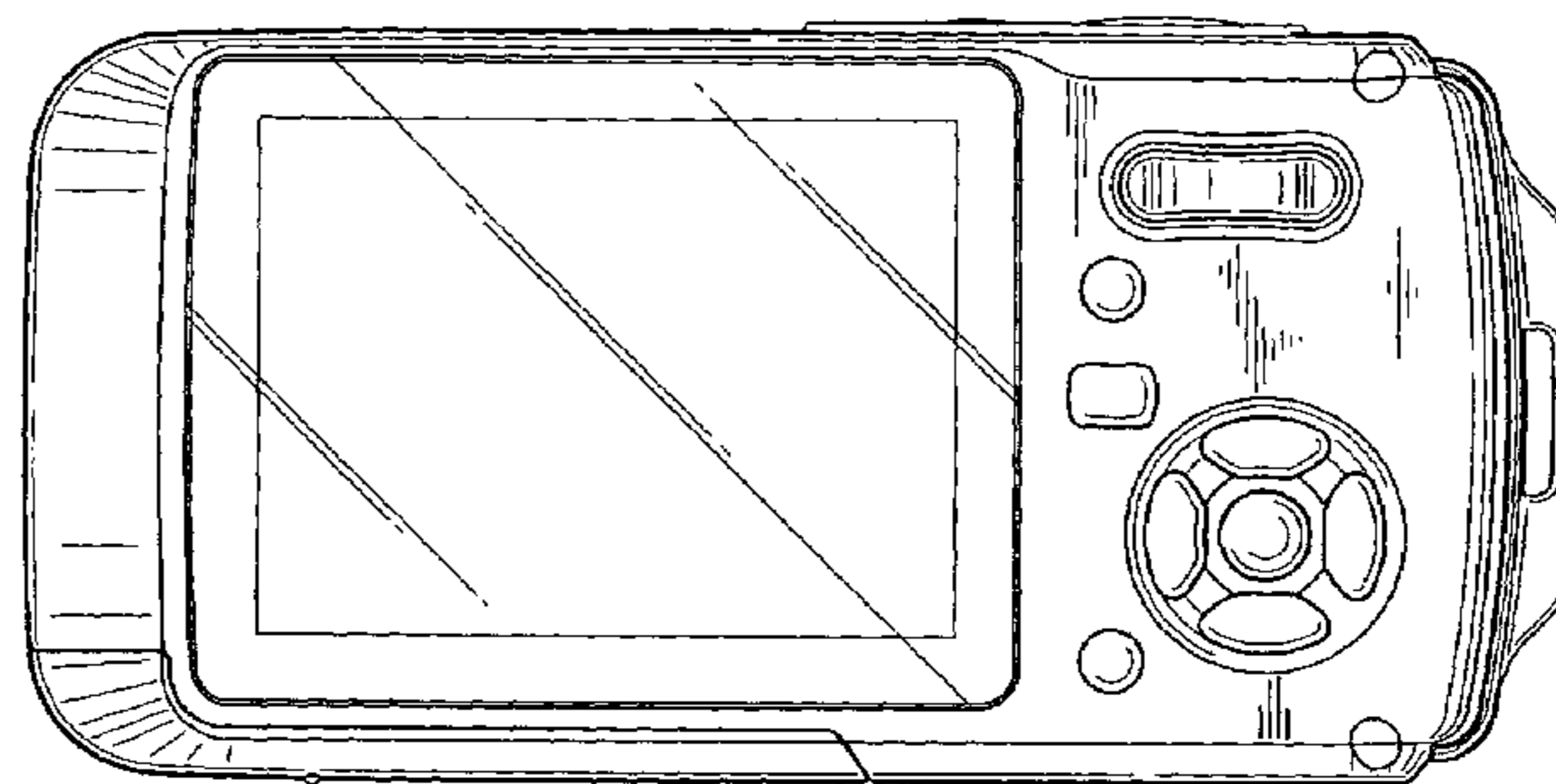
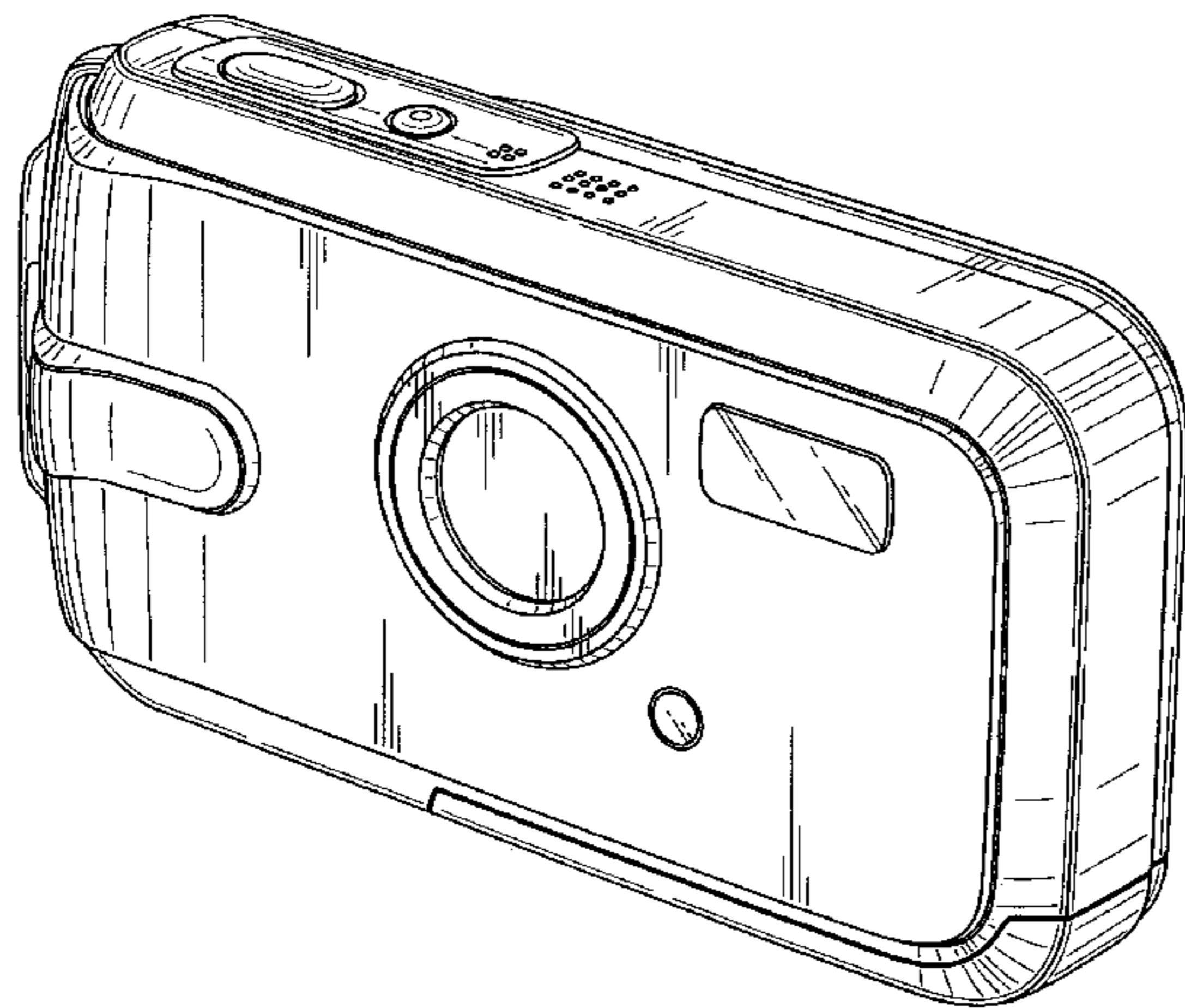
FIG. 5 is a bottom plan view thereof;

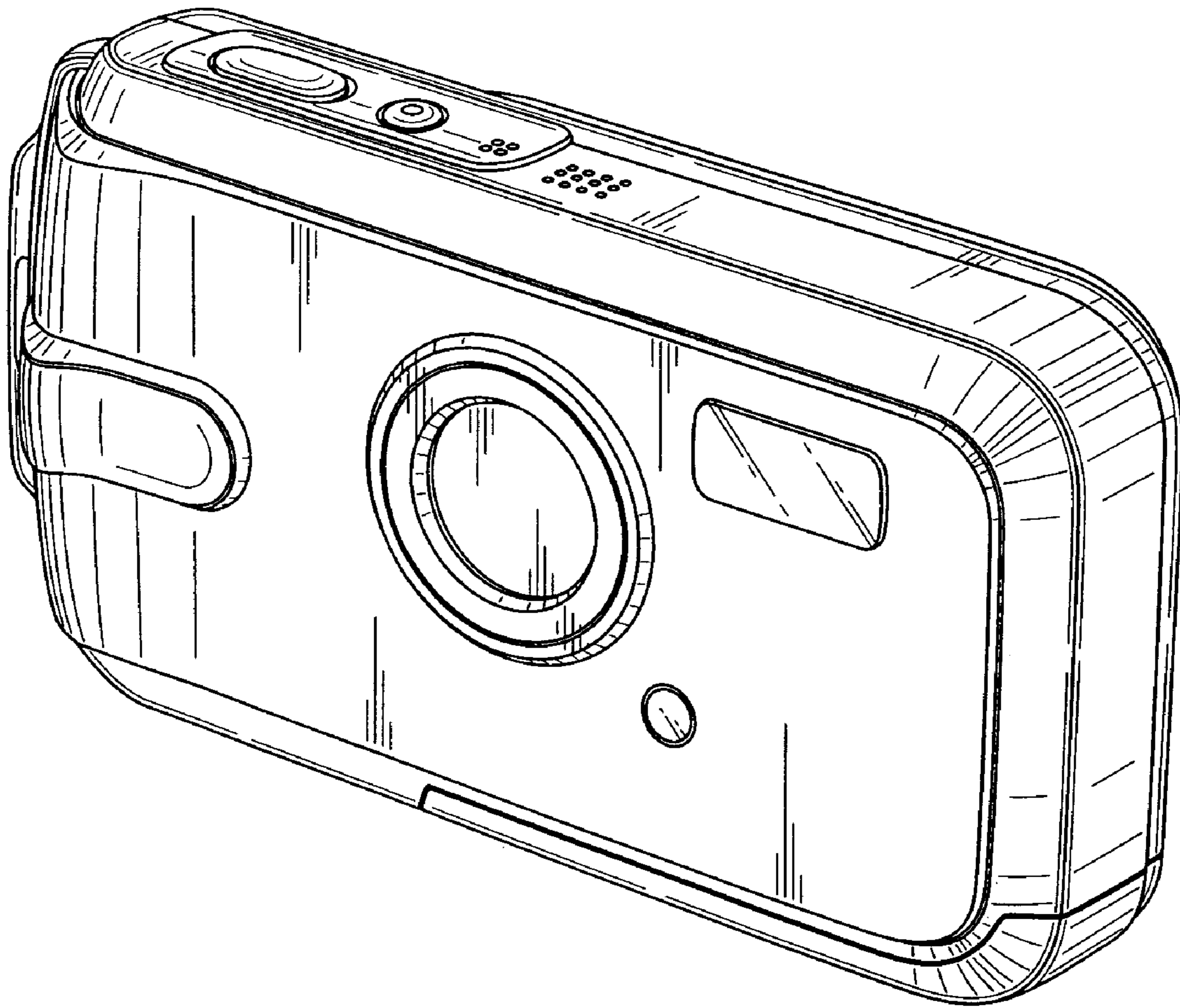
FIG. 6 is a left side elevational view thereof; and,

FIG. 7 is a right side elevational view thereof.

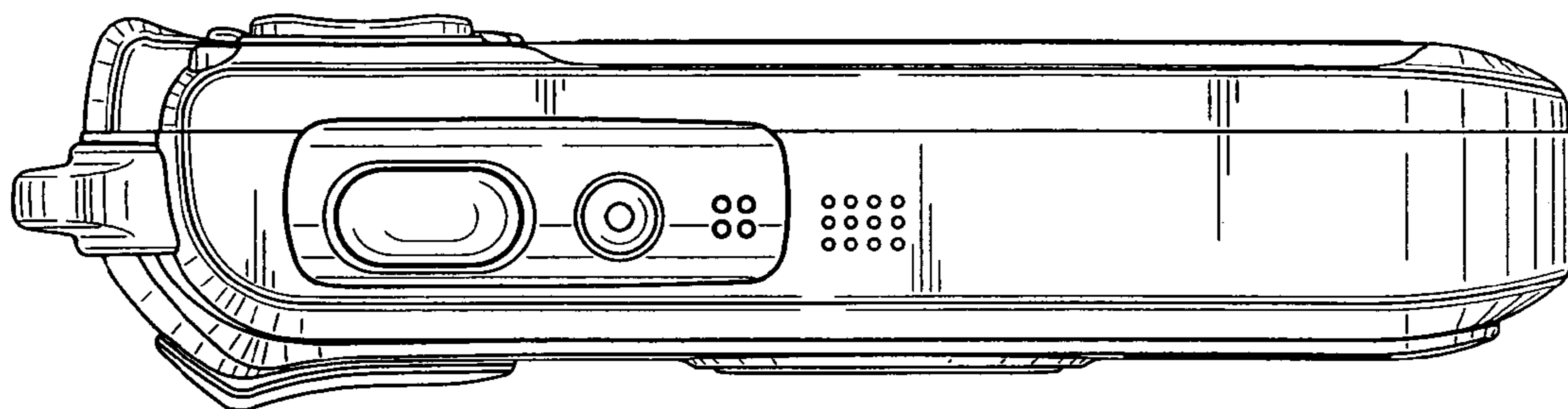
The portions shown in broken lines are for illustrative purposes only and form no part of the claimed design.

**1 Claim, 4 Drawing Sheets**

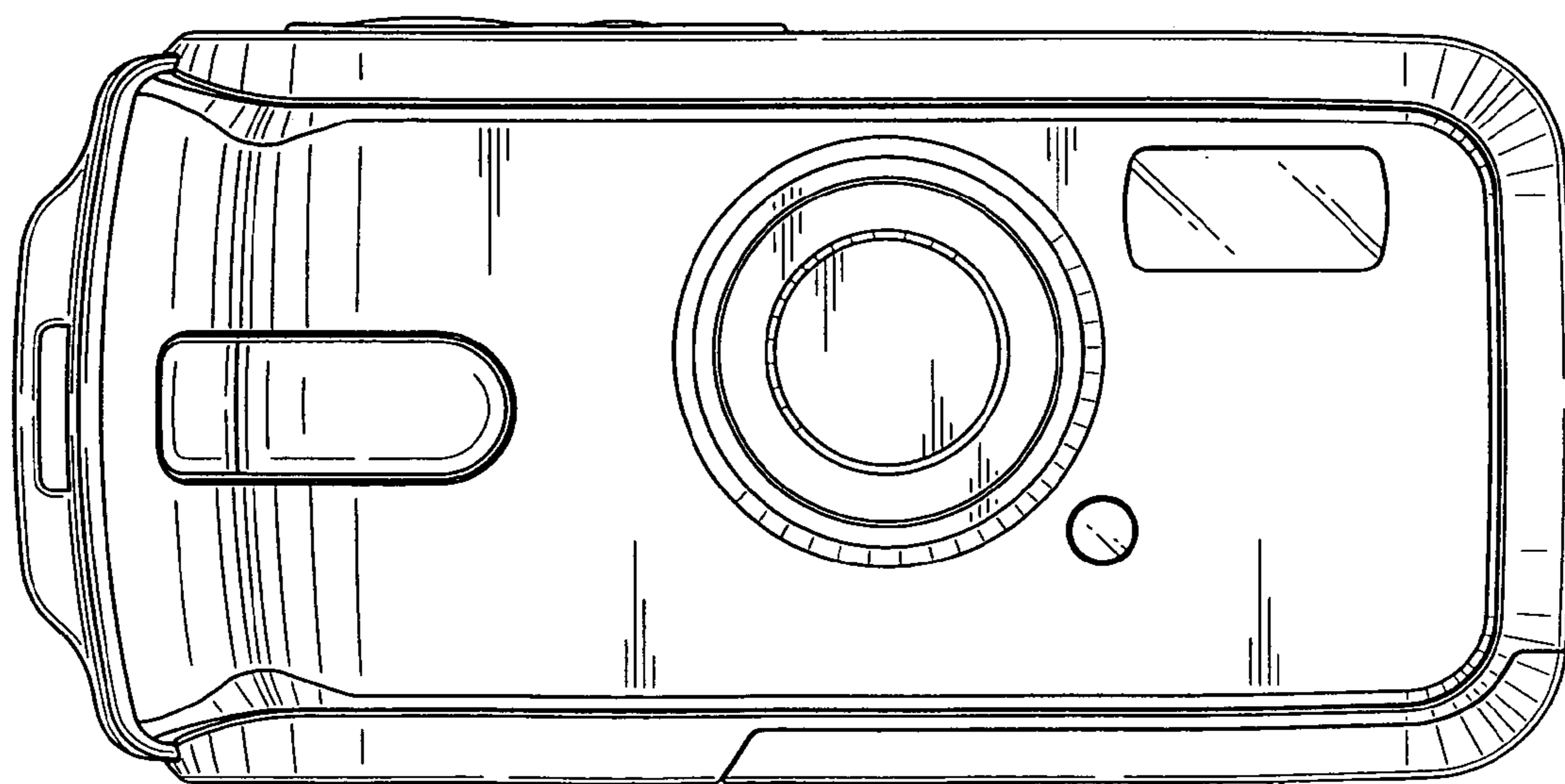




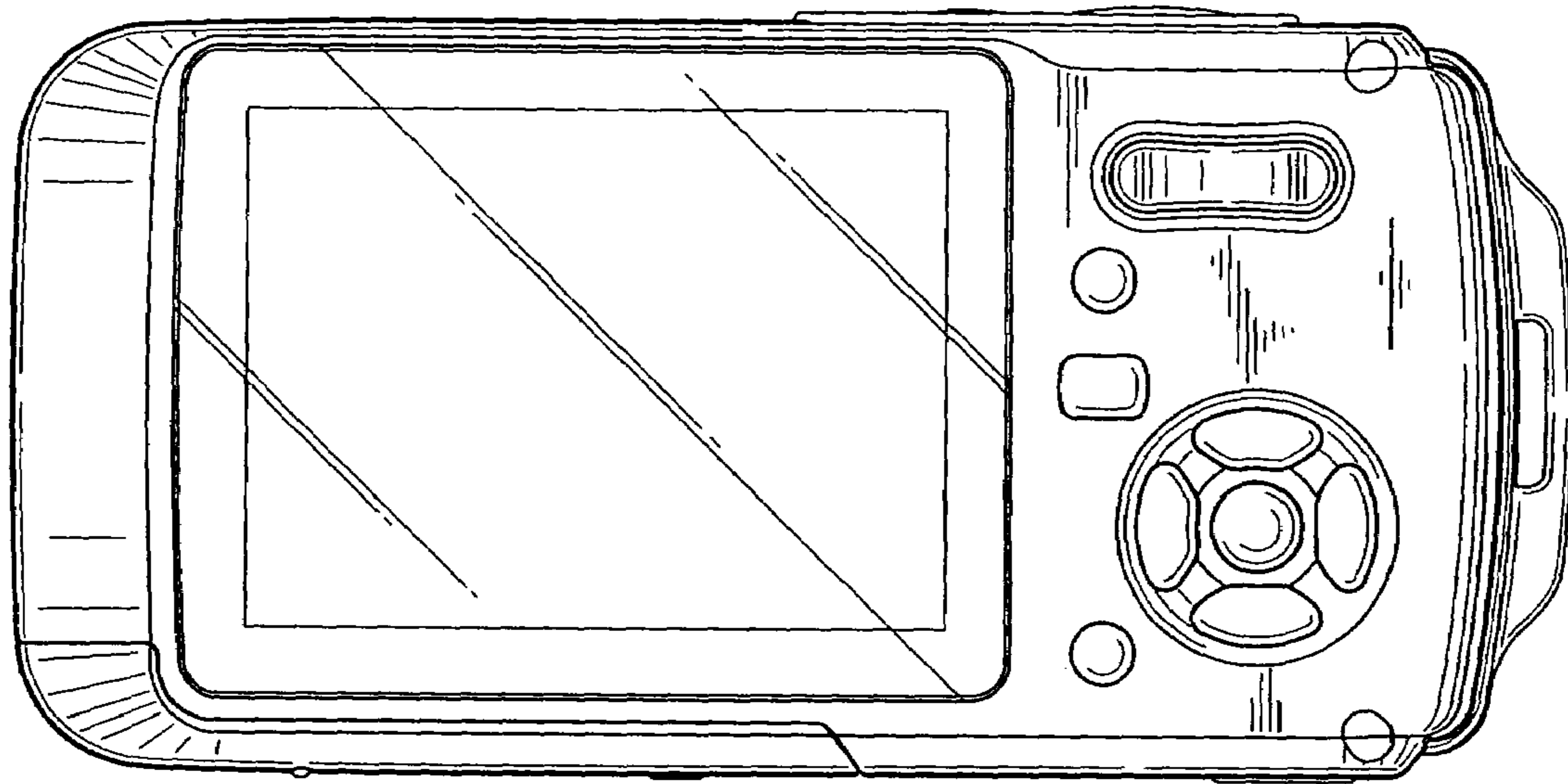
*FIG. 1*



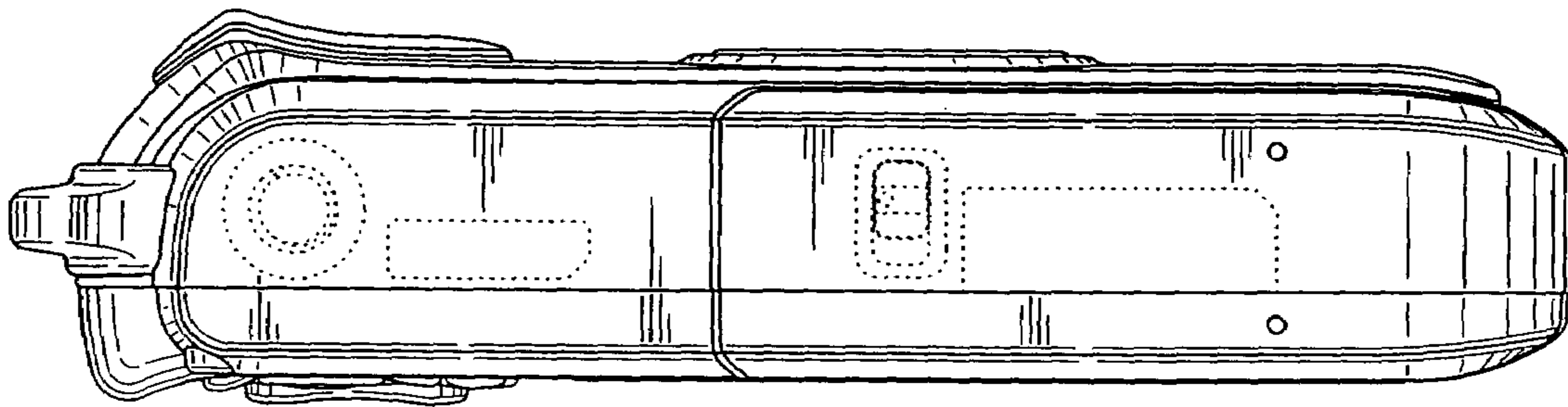
*FIG. 2*



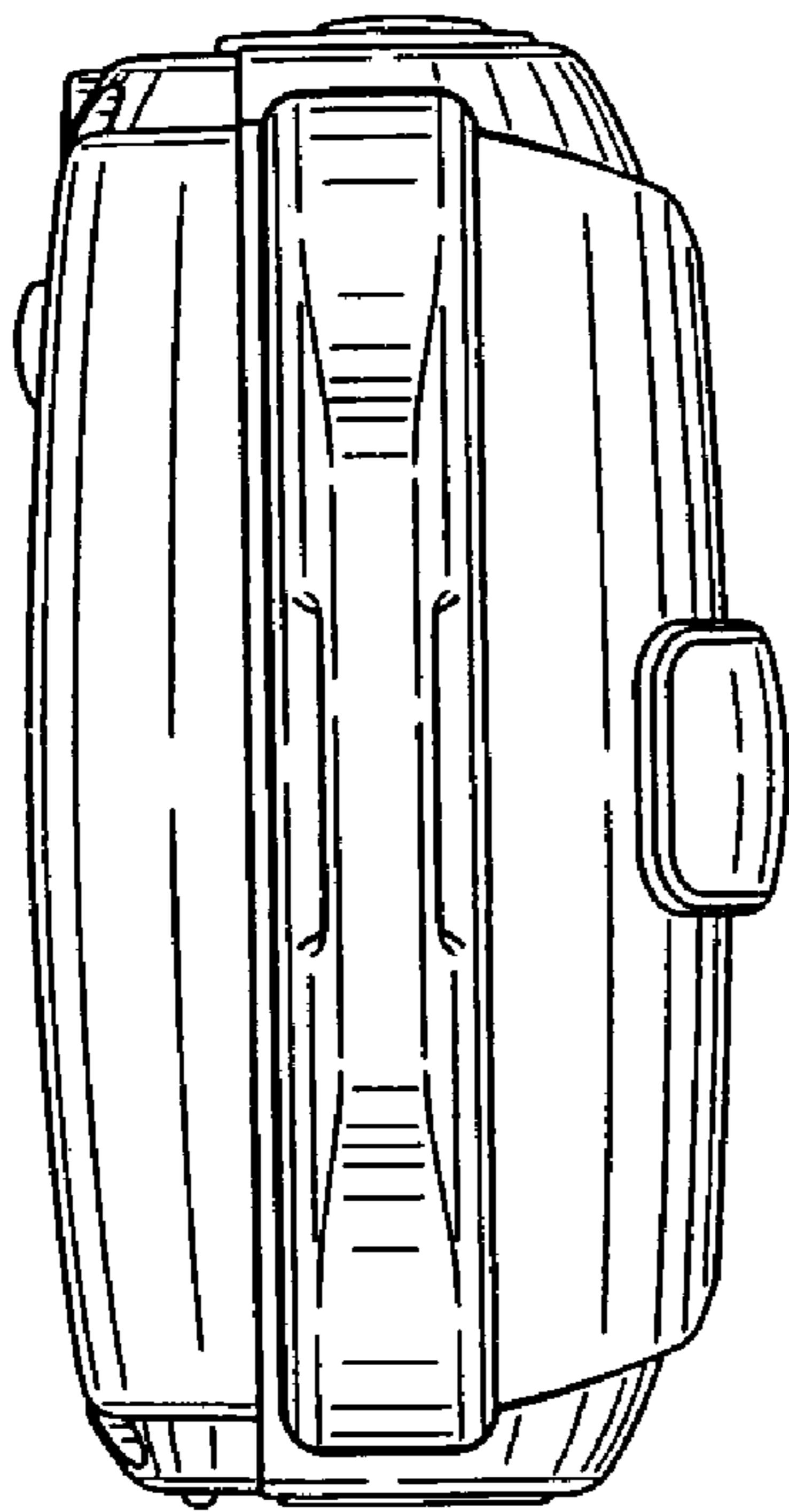
*FIG. 3*



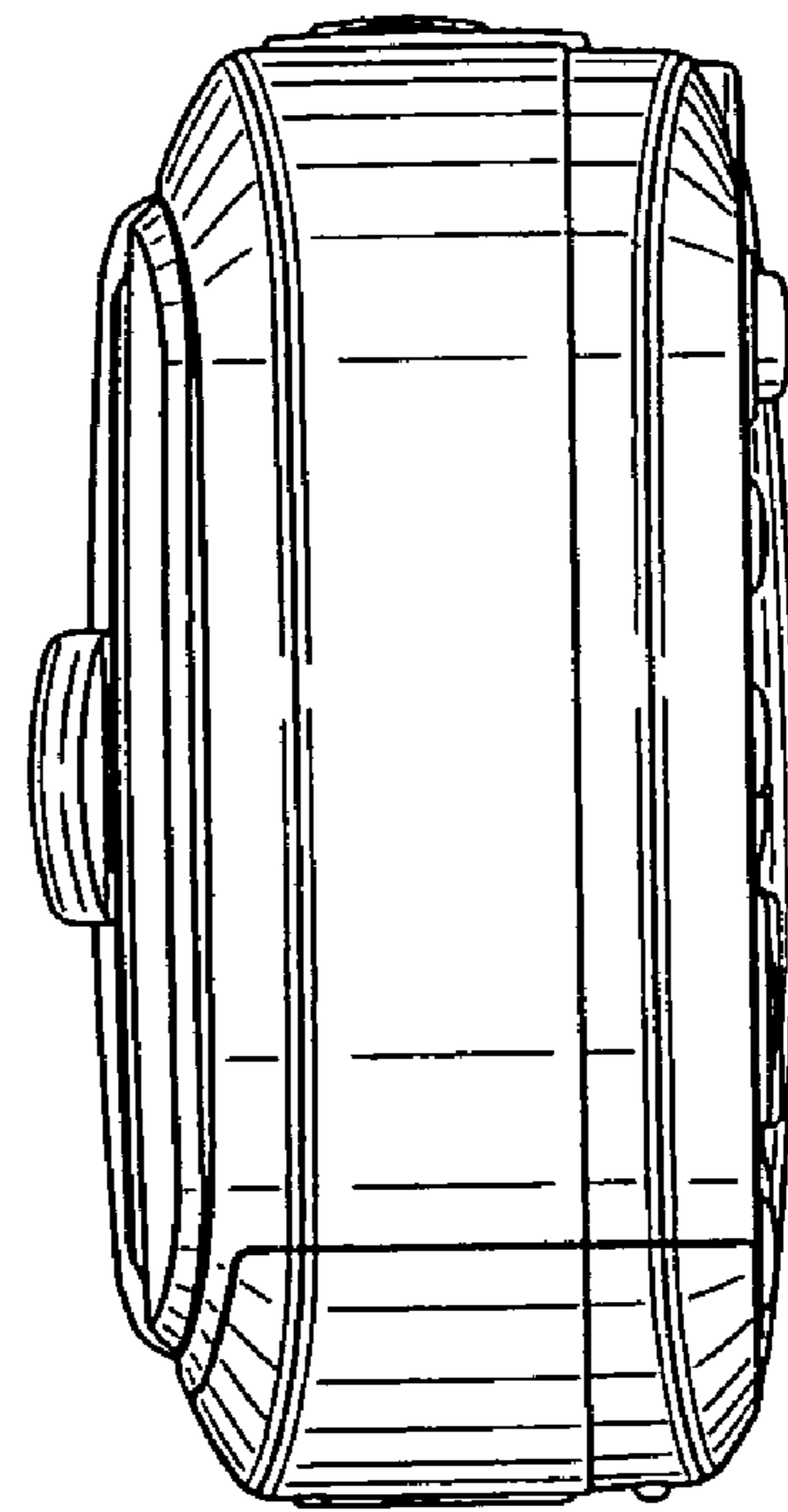
*FIG. 4*



*FIG. 5*



*FIG. 6*



*FIG. 7*