

US00D560700S

(12) **United States Design Patent**
Naito et al.

(10) **Patent No.:** **US D560,700 S**
(45) **Date of Patent:** **** Jan. 29, 2008**

(54) **DIGITAL CAMERA**

D542,322 S * 5/2007 Miyashita D16/218
D545,338 S * 6/2007 Lee D16/219

(75) Inventors: **Yoshitaka Naito**, Ome (JP); **Koji Suzuki**, Hachioji (JP)

* cited by examiner

(73) Assignee: **Olympus Imaging Corp.**, Tokyo (JP)

Primary Examiner—Adir Aronovich
(74) *Attorney, Agent, or Firm*—Straub and Pokotylo; John C. Pokotylo

(**) Term: **14 Years**

(21) Appl. No.: **29/264,296**

(57) **CLAIM**

(22) Filed: **Aug. 7, 2006**

The ornamental design for a digital camera, as shown and described.

(30) **Foreign Application Priority Data**

DESCRIPTION

Aug. 2, 2006 (JP) 2006-020356

(51) **LOC (8) Cl.** **16-01**

(52) **U.S. Cl.** **D16/202**

(58) **Field of Classification Search** D16/200–204,
D16/208, 218, 219; 348/373–376; 358/909.1;
396/535–541

See application file for complete search history.

FIG. 1 is a front, top and left side perspective view of a digital camera showing our new design;

FIG. 2 is a rear, top and right side perspective view thereof;

FIG. 3 is a front, top and left side perspective view thereof with the barrier in an opened position;

FIG. 4 is a front elevational view thereof with the barrier in a closed position;

FIG. 5 is a rear elevational view thereof;

FIG. 6 is a top plan view thereof;

FIG. 7 is a bottom plan view thereof;

FIG. 8 is a left side elevational view thereof; and,

FIG. 9 is a right side elevational view thereof.

(56) **References Cited**

U.S. PATENT DOCUMENTS

D387,078 S * 12/1997 Akita D16/202
D474,218 S * 5/2003 Nagayama D16/202
D508,711 S * 8/2005 Suzuki D16/218
D519,539 S * 4/2006 Takagi D16/202
D521,043 S * 5/2006 Takagi D16/218
D522,555 S * 6/2006 Choi D16/202

1 Claim, 6 Drawing Sheets

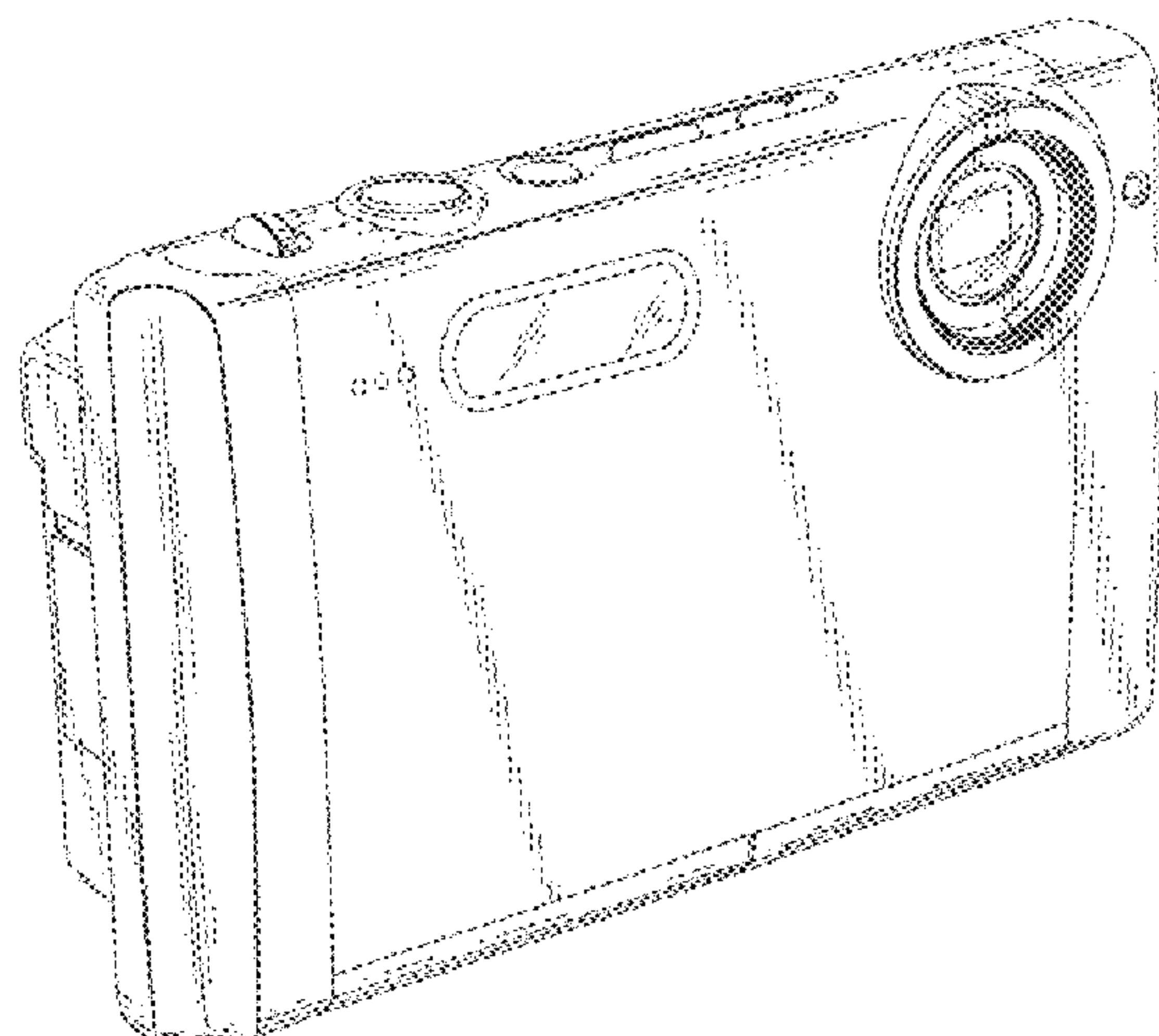
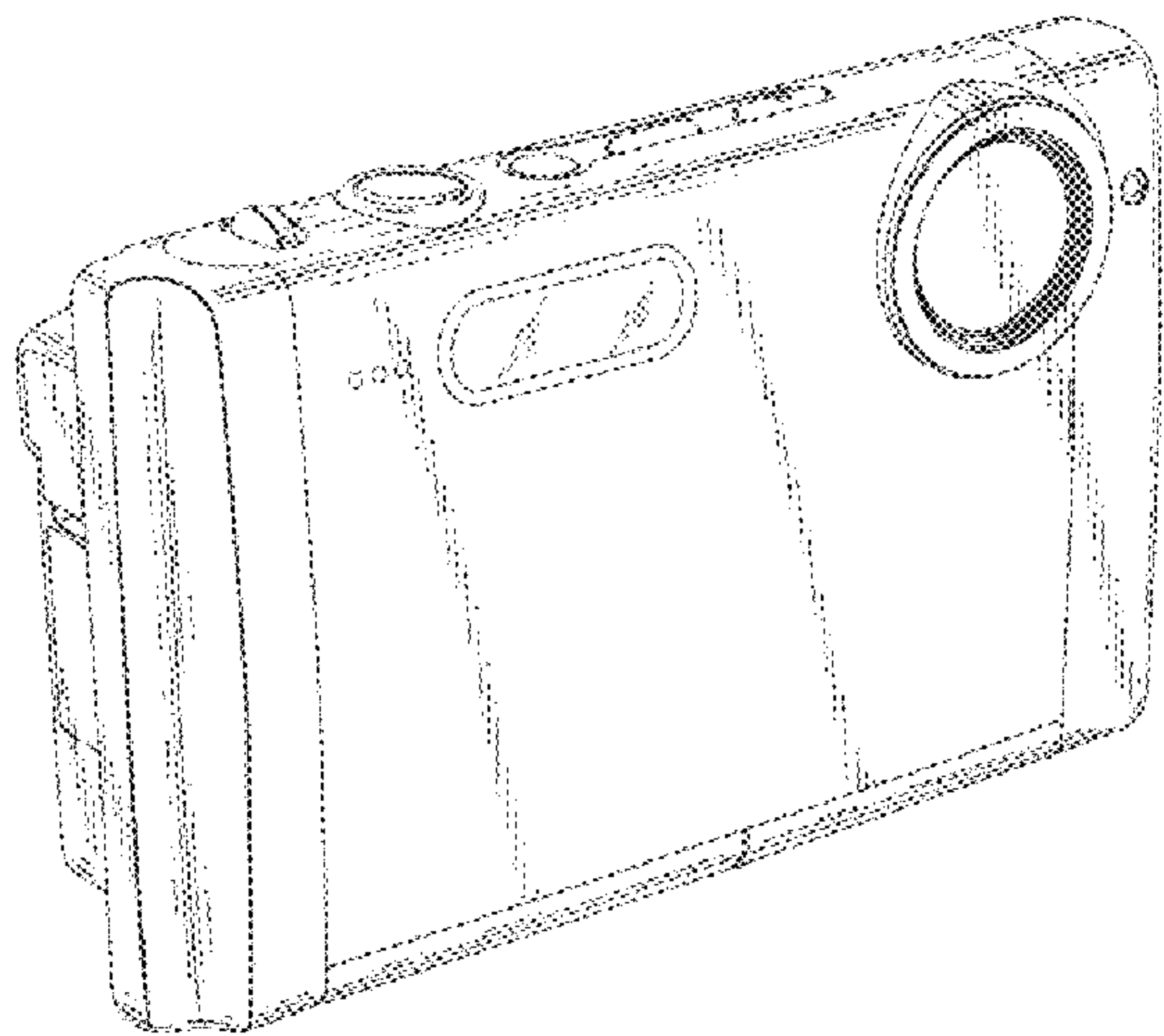


FIG. 1

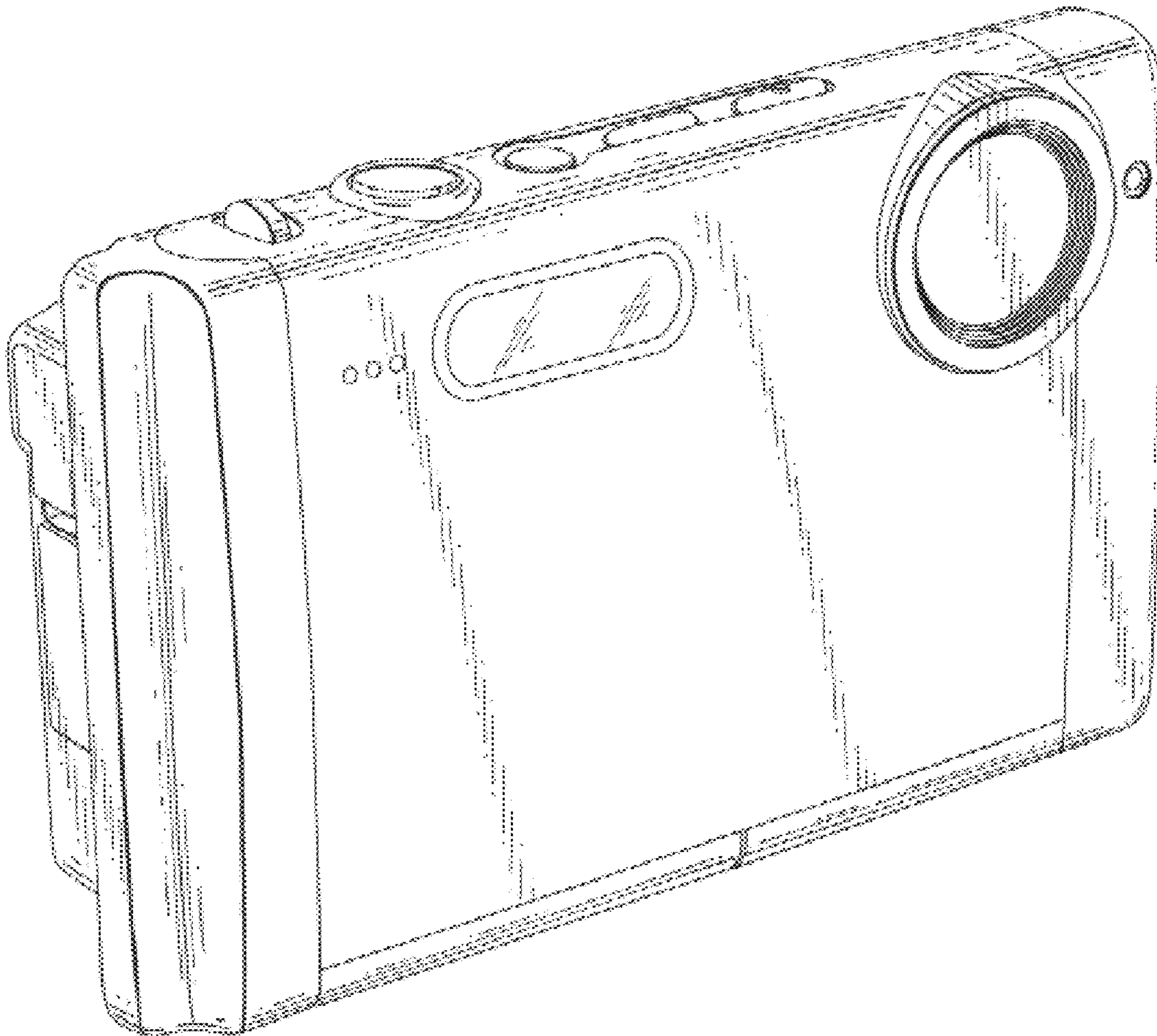


FIG.2

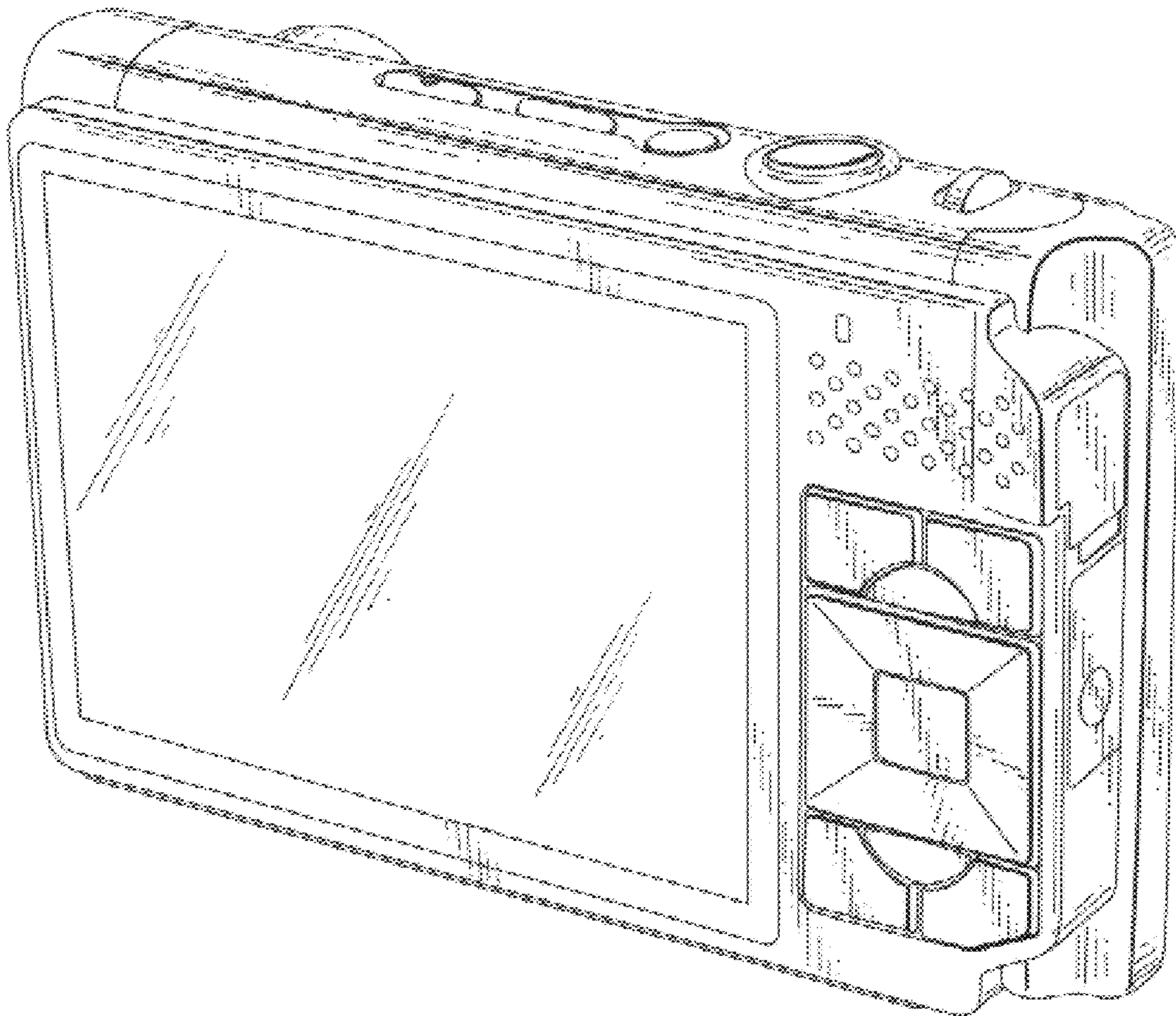


FIG.3

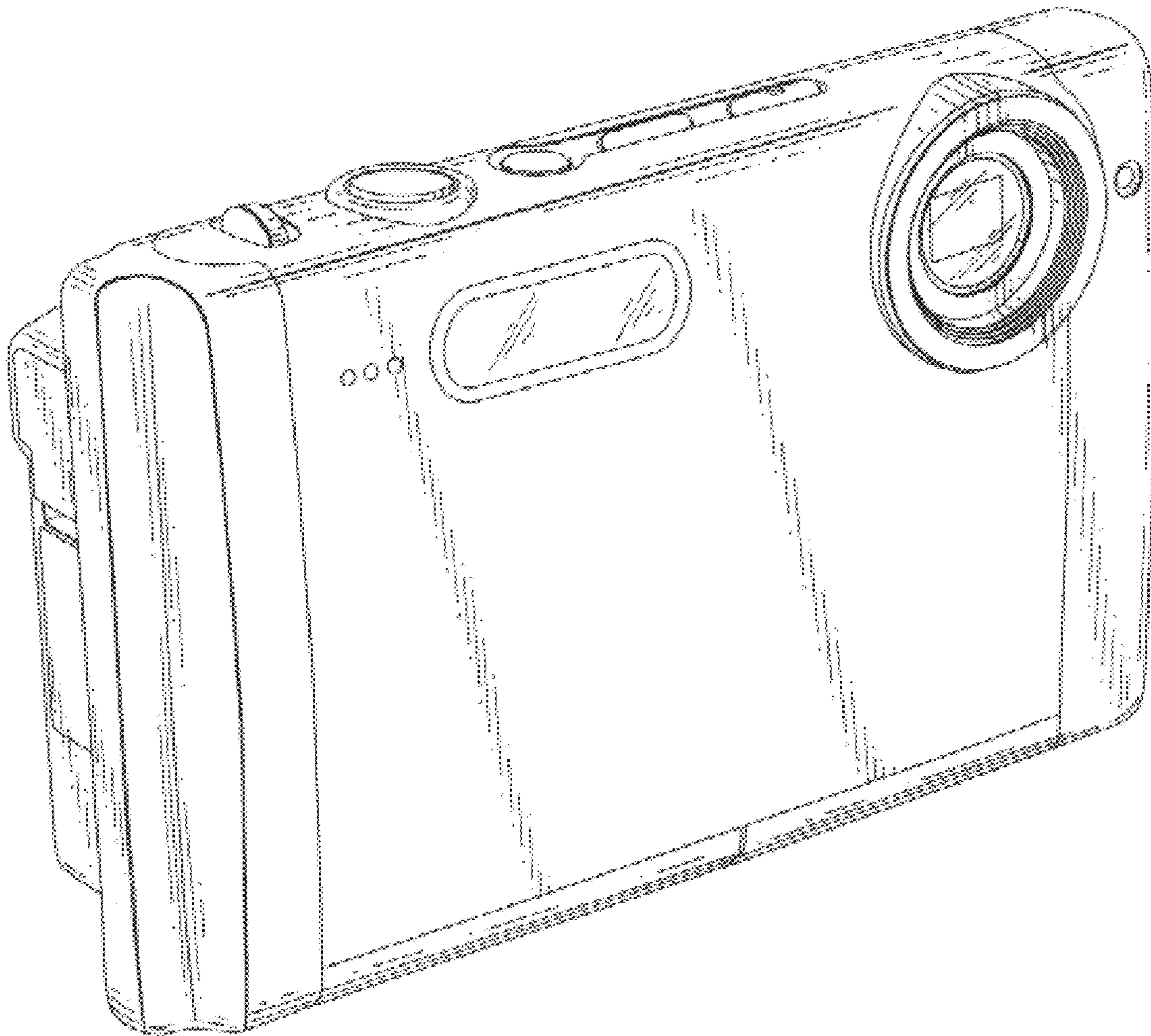


FIG.4

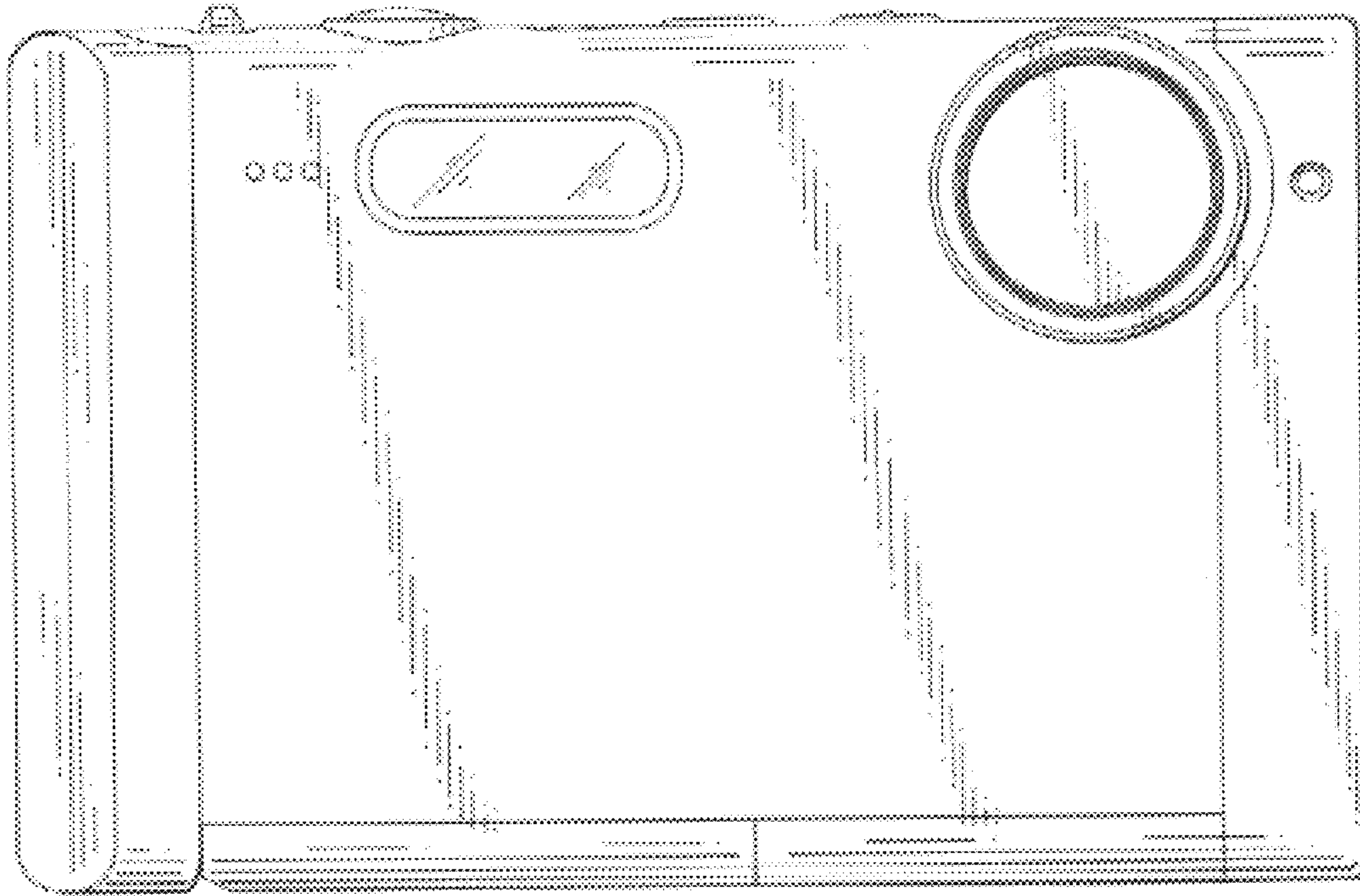


FIG.5

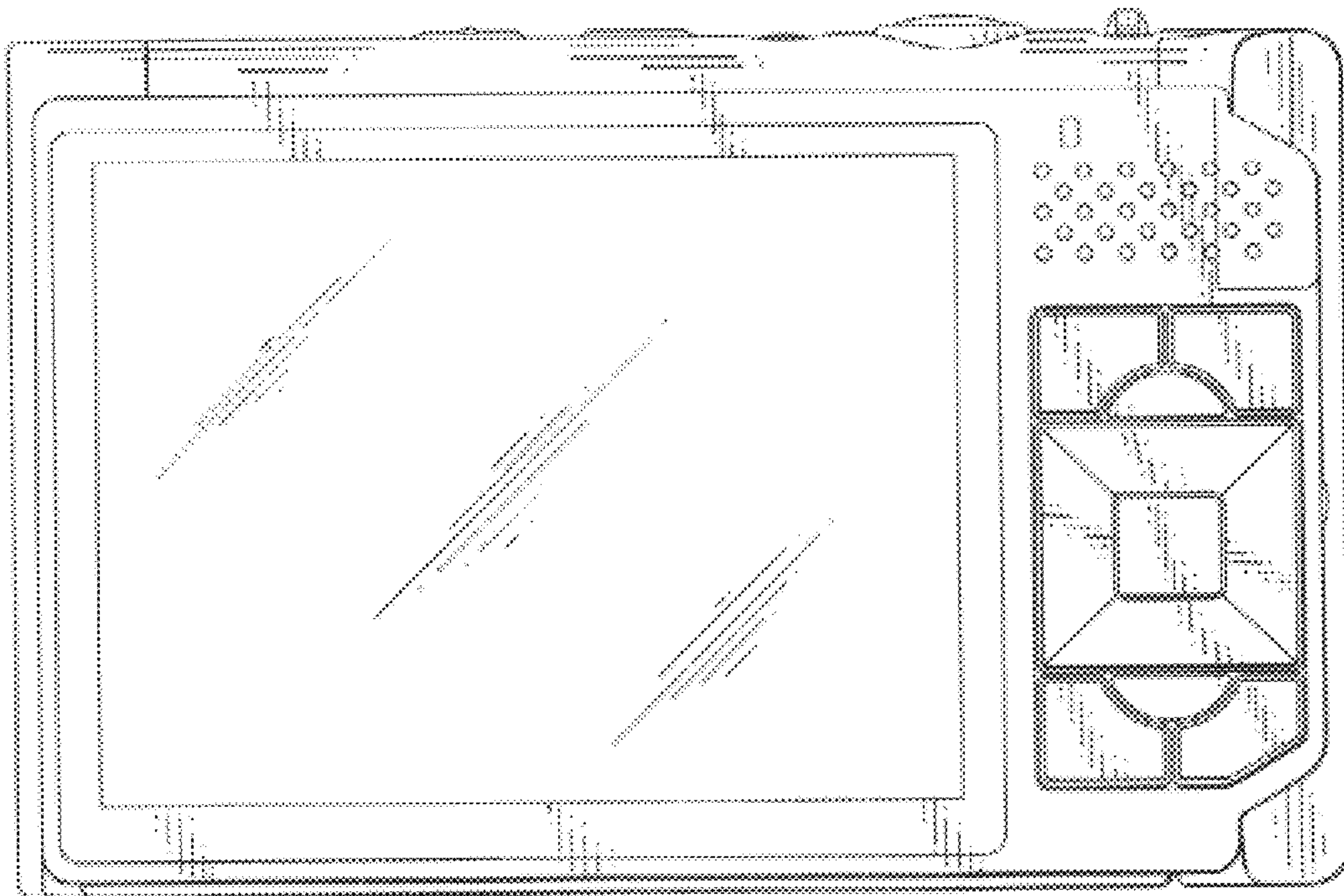


FIG.6

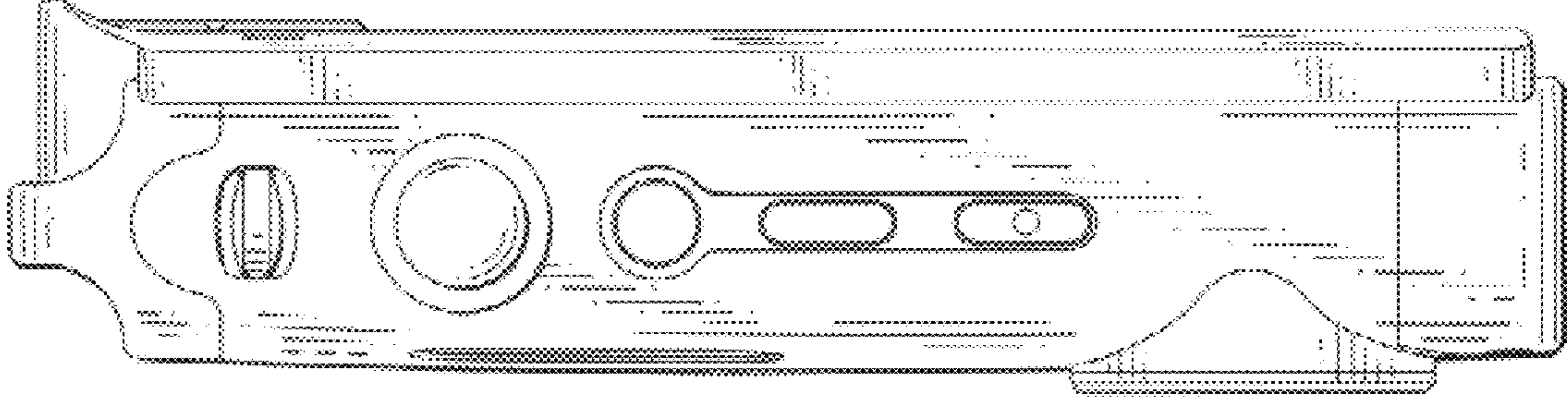


FIG.7

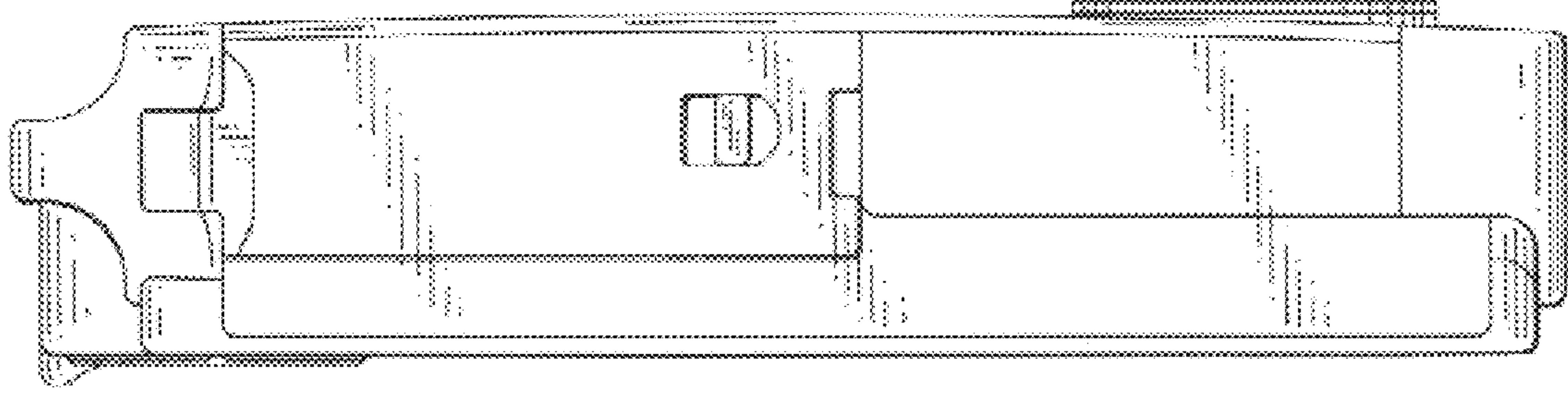


FIG.8

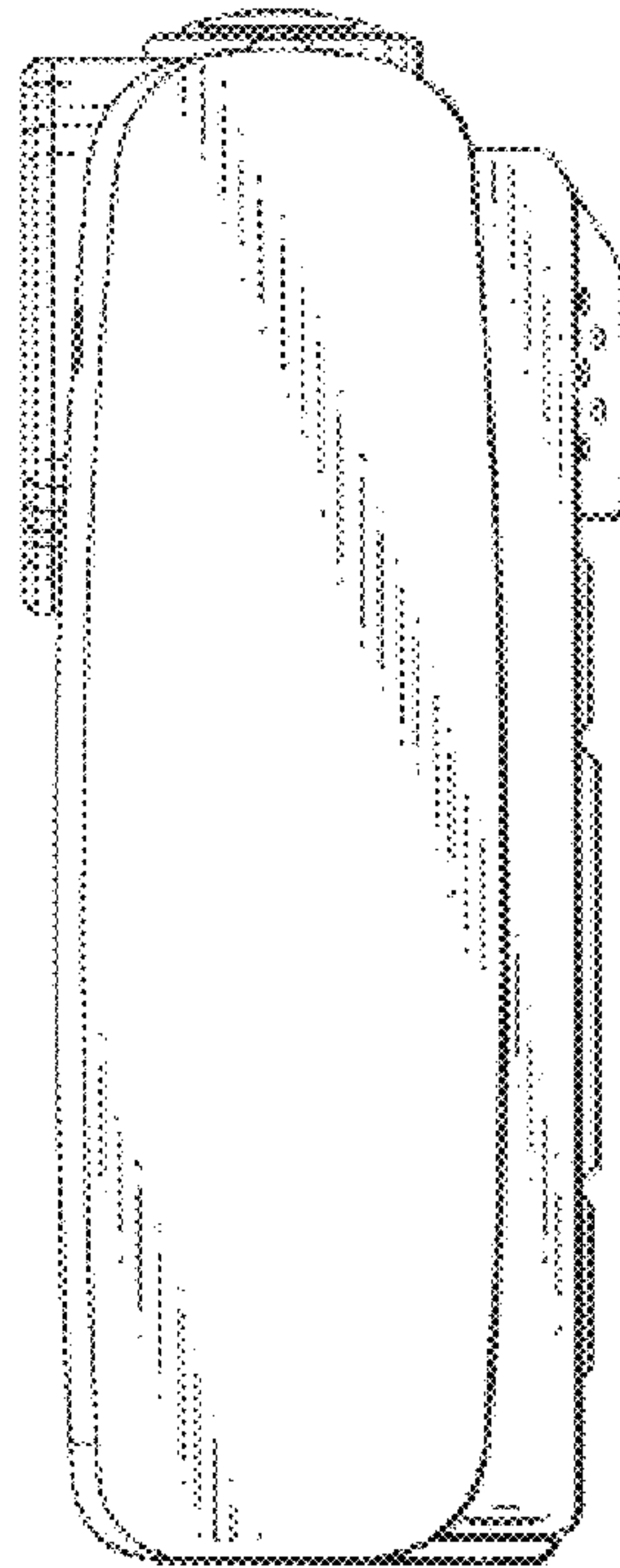


FIG.9

