



US00D560696S

(12) **United States Design Patent**  
**Leasure**

(10) **Patent No.:** **US D560,696 S**

(45) **Date of Patent:** **\*\* Jan. 29, 2008**

(54) **DRILL PRESS HANDLE**

(75) Inventor: **Jeremy D. Leasure**, Jackson, TN (US)

(73) Assignee: **Black & Decker Inc.**, Newark, DE (US)

(\*\*) Term: **14 Years**

(21) Appl. No.: **29/267,046**

(22) Filed: **Oct. 4, 2006**

(51) **LOC (8) Cl.** ..... **15-09**

(52) **U.S. Cl.** ..... **D15/132**

(58) **Field of Classification Search** ..... D8/107,  
D8/300; D15/132; 29/26 A, 27 R, 560;  
144/1.1, 46, 253.2, 365; 408/20, 87, 91,  
408/103, 110, 129, 135, 140, 220, 227  
See application file for complete search history.

(56) **References Cited**

U.S. PATENT DOCUMENTS

2,463,214	A	3/1949	Stoner	
2,908,978	A *	10/1959	Knosp et al.	408/91
3,314,312	A *	4/1967	Niehaus, Jr. et al.	408/129
D278,440	S	4/1985	Ferdinand et al.	
D280,626	S *	9/1985	Chen	D15/132
D285,797	S	9/1986	Arehart	
5,102,270	A	4/1992	Warren	
D331,246	S	11/1992	Chen	
5,318,392	A *	6/1994	Svetlik et al.	408/103
D392,653	S	3/1998	Lin	
5,765,273	A *	6/1998	Mora et al.	29/560
D401,947	S	12/1998	Chen	
D412,509	S	8/1999	Chen et al.	
5,960,531	A	10/1999	Mora et al.	
5,980,167	A	11/1999	Chen	
D465,501	S	11/2002	Zhang et al.	
D493,182	S	7/2004	Hosking	

D497,622	S	10/2004	Theising et al.	
D541,319	S *	4/2007	Etter et al.	D15/132
2004/0245757	A1 *	12/2004	de Oliveira	280/771
2005/0176344	A1 *	8/2005	Bruder	446/427
2007/0166115	A1 *	7/2007	Pemberton et al.	408/89

FOREIGN PATENT DOCUMENTS

DE	89 01 967	3/1989
DE	90 05 305	8/1990
DE	90 07 529	11/1990
DE	91 05 975	8/1991
DE	92 02 327	3/1992

(Continued)

*Primary Examiner*—Antoine D. Davis

*Assistant Examiner*—Patricia Palasik

(74) *Attorney, Agent, or Firm*—Mehul R. Jani; Adan Ayala; Charles Yocum

(57) **CLAIM**

The ornamental design for a drill press handle, as shown and described.

**DESCRIPTION**

FIG. 1 is a perspective view of a drill press handle showing the new design.

FIG. 2 is a front view thereof.

FIG. 3 is a rear view thereof.

FIG. 4 is a right side view thereof.

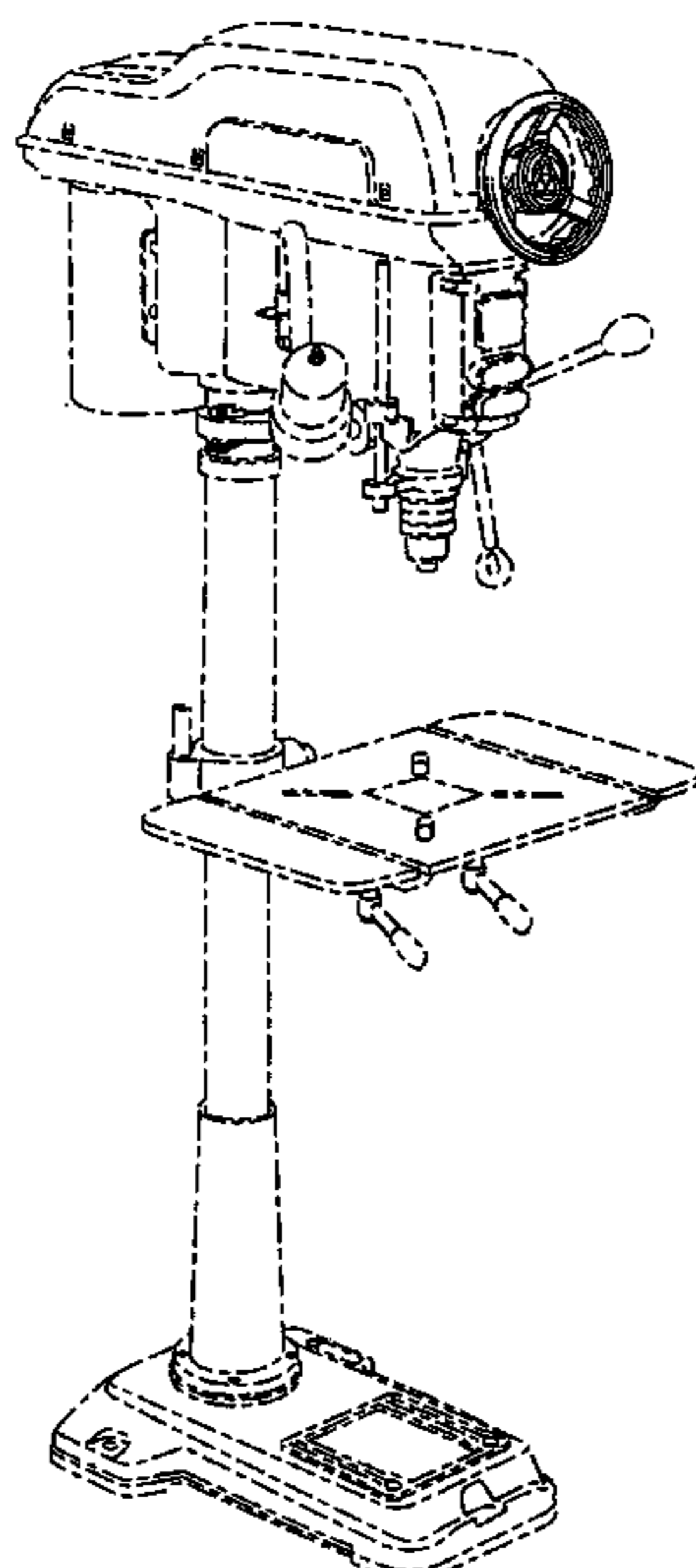
FIG. 5 is a left side view thereof.

FIG. 6 is a top plan view thereof; and,

FIG. 7 is a bottom plan view thereof.

In the above drawings the broken lines and the areas within the broken lines form no part of the claimed design.

**1 Claim, 6 Drawing Sheets**



# US D560,696 S

Page 2

---

FOREIGN PATENT DOCUMENTS					
			DE	401 10 280	6/2001
			DE	402 10 043	8/2002
			DE	403 01 324	2/2003
			DE	40503250	6/2005
			WO	DM/013 780	6/1989
			WO	DM/041 357	9/1997
DE	92 05 831	8/1992			
DE	93 02 737	4/1993			
DE	93 05 468	7/1993			
DE	93 06 948	9/1993			
DE	96 09 240	5/1996			
DE	96 09 312	5/1996			

\* cited by examiner

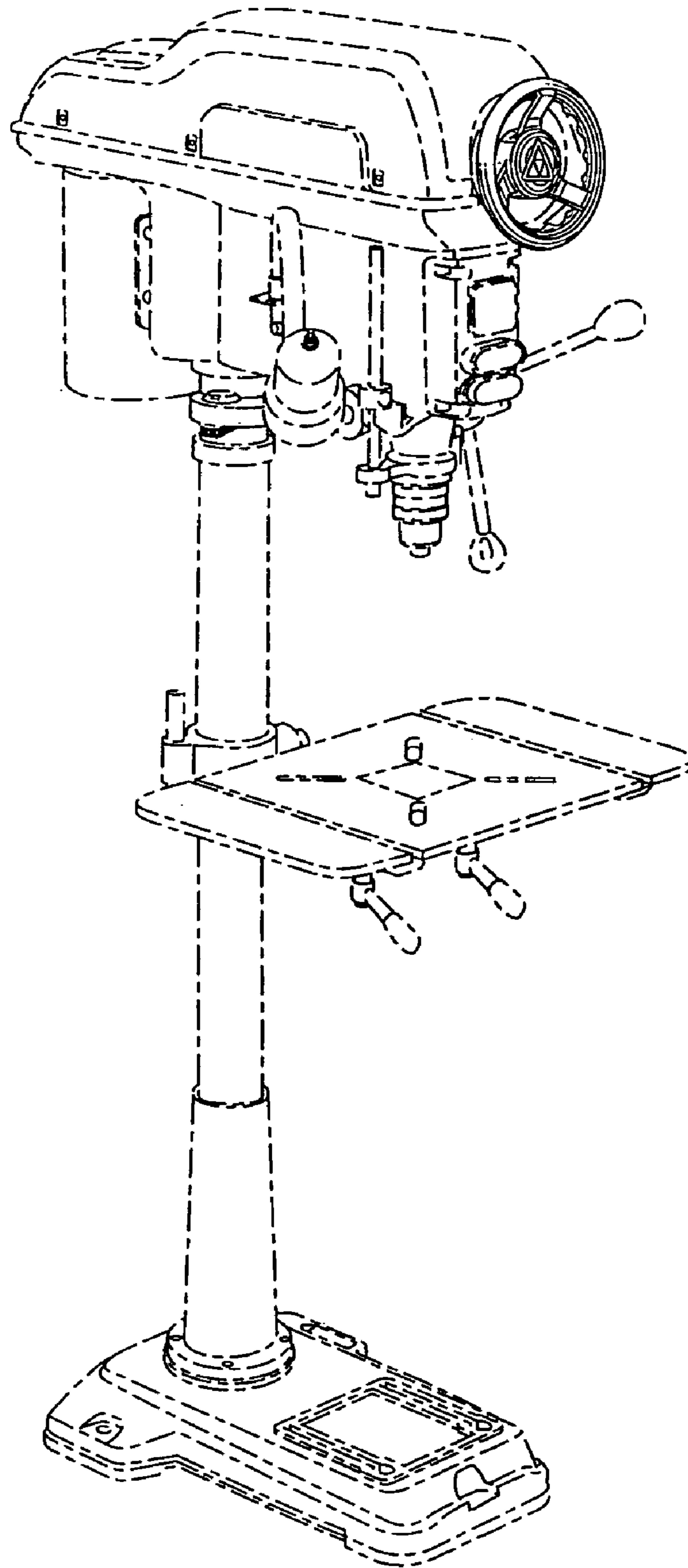


FIG. 1

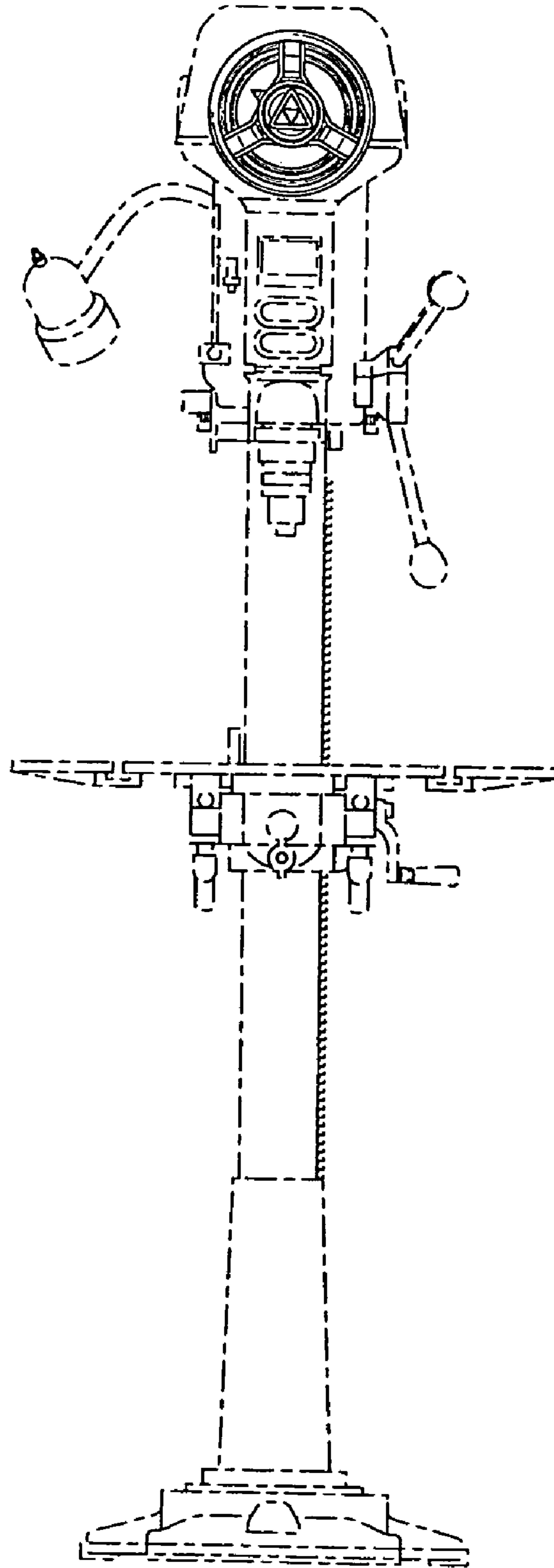


FIG. 2

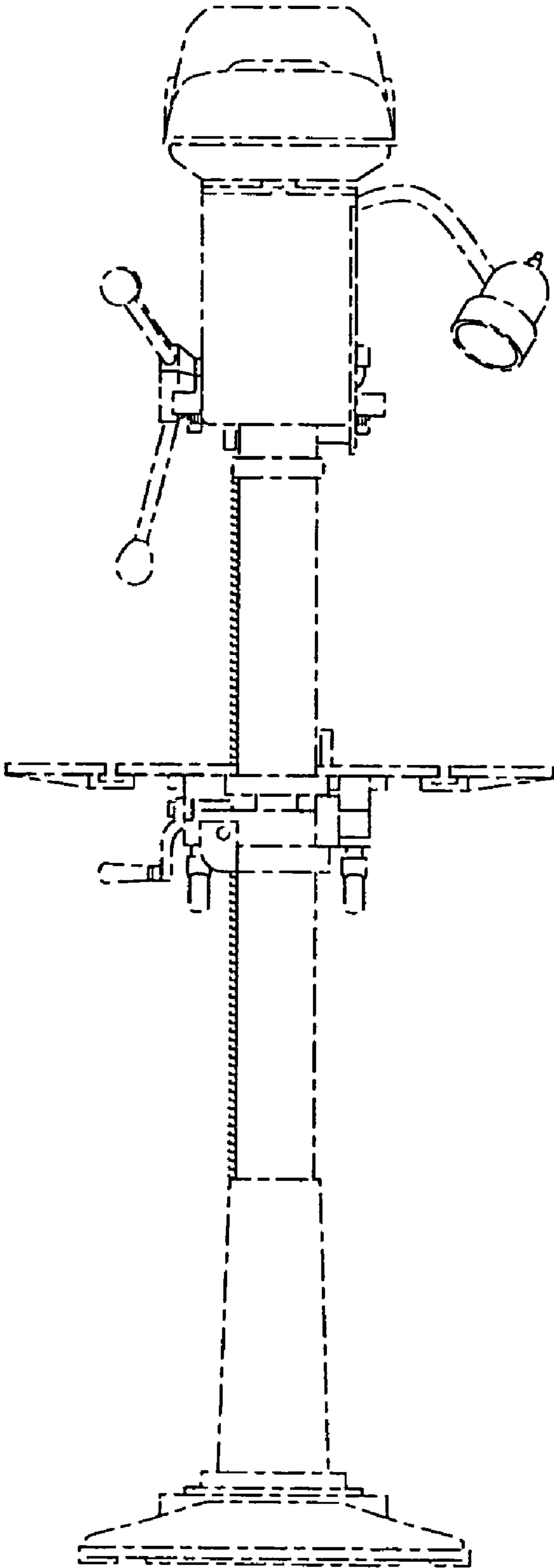


FIG. 3

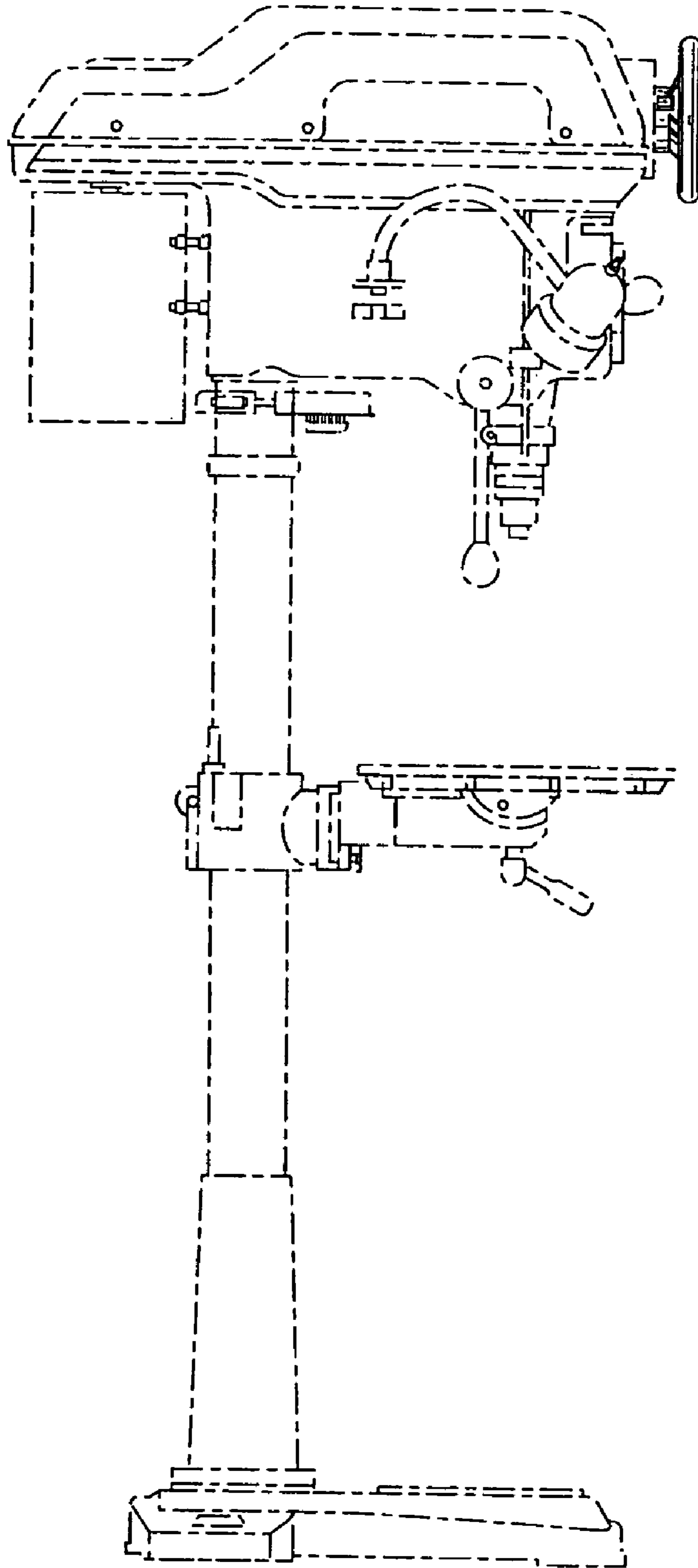


FIG. 4

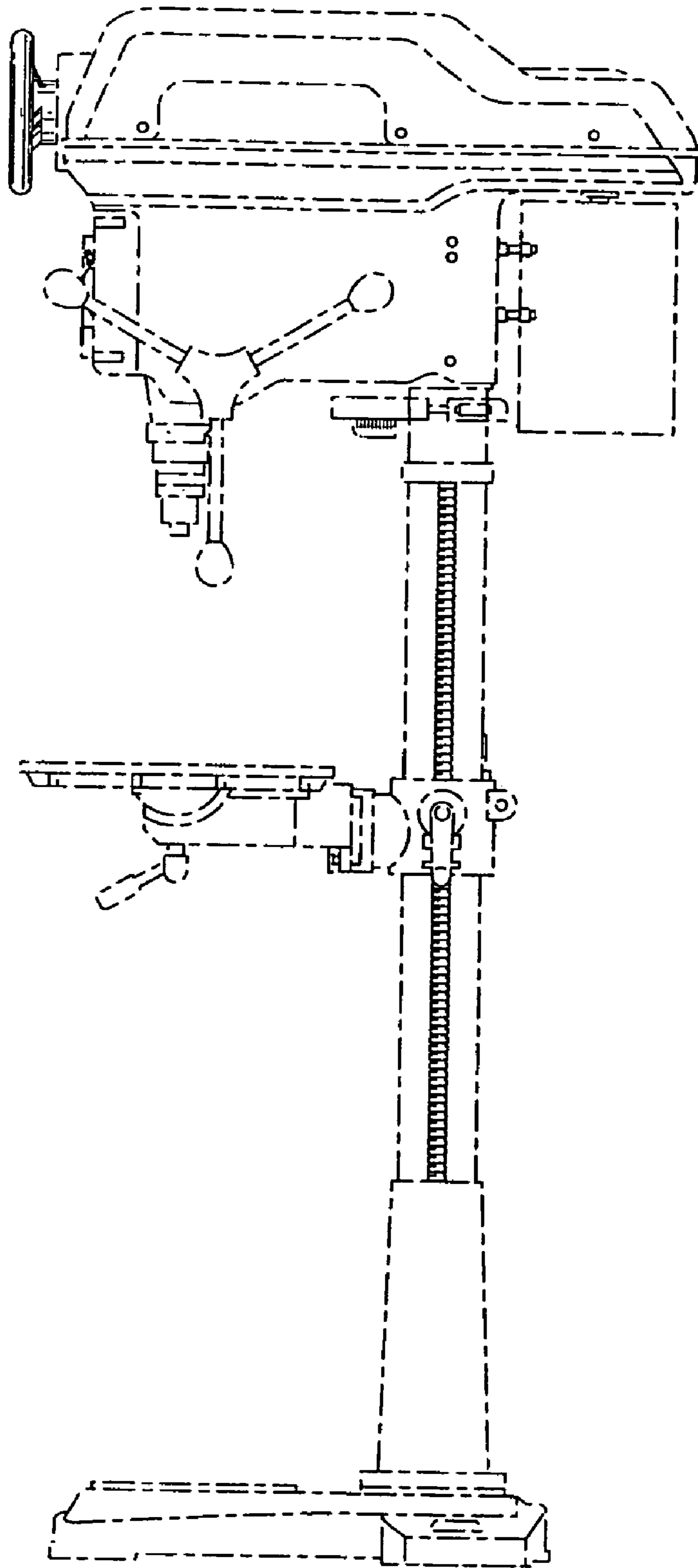


FIG. 5



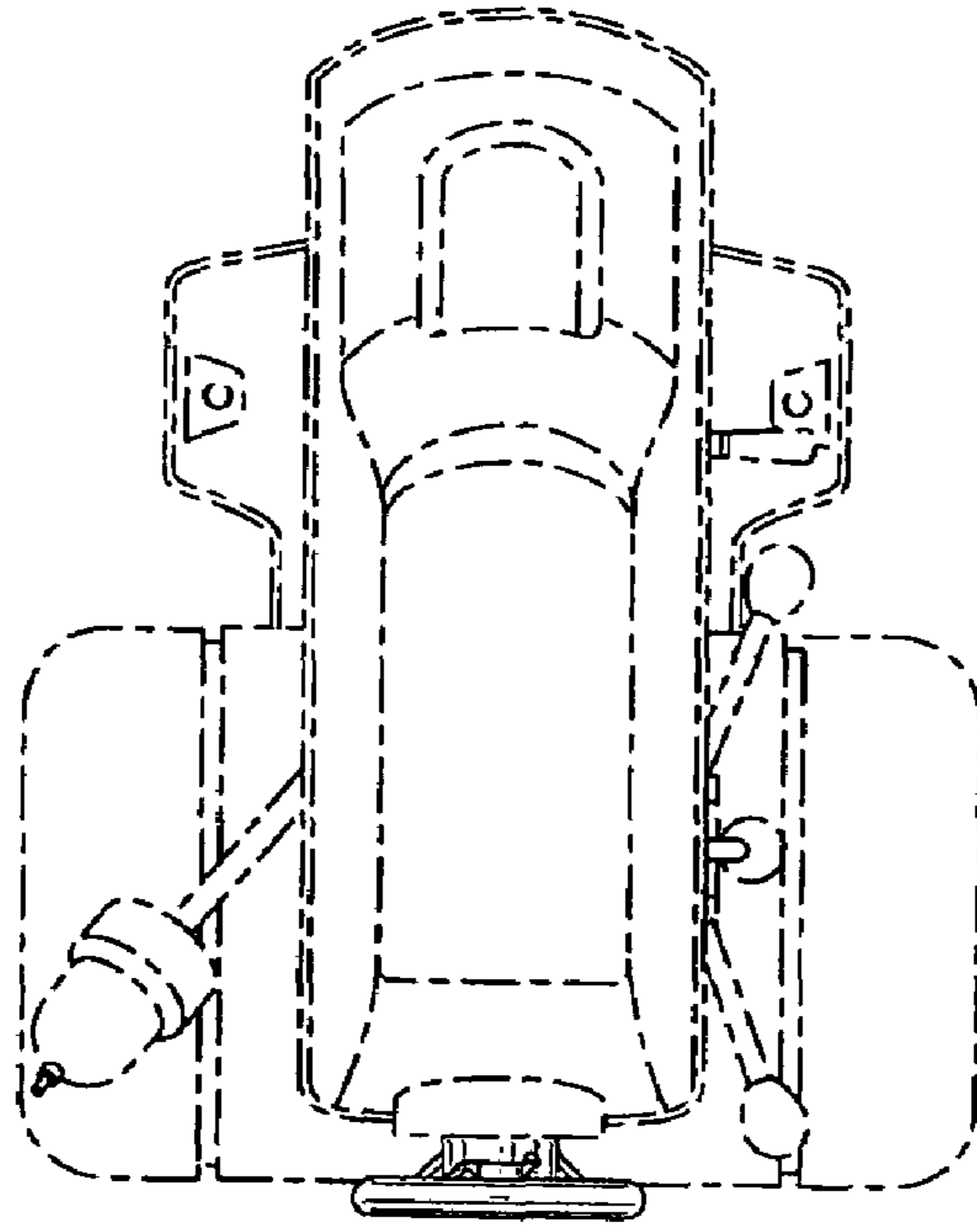


FIG. 6

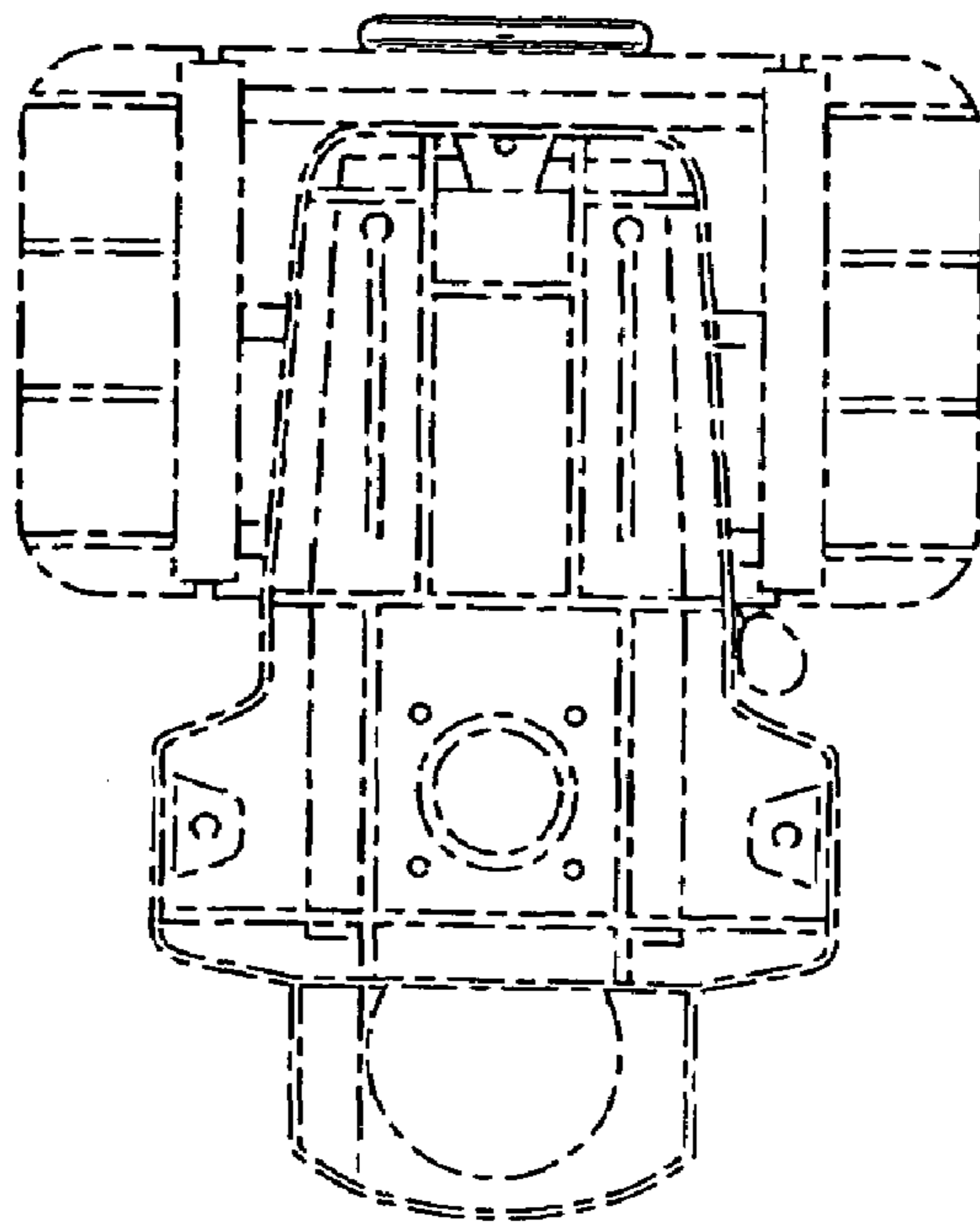


FIG. 7