



US00D560694S

(12) **United States Design Patent**  
**Yeo et al.**

(10) **Patent No.: US D560,694 S**  
(45) **Date of Patent: \*\* \*Jan. 29, 2008**

(54) **TELEVISION INTEGRATED IN REFRIGERATOR**

(75) Inventors: **In Sun Yeo**, Seoul (KR); **Kyung Soo Park**, Seoul (KR)

(73) Assignee: **LG Electronics Inc.**, Seoul (KR)

(\*) Notice: This patent is subject to a terminal disclaimer.

(\*\*) Term: **14 Years**

(21) Appl. No.: **29/271,772**

(22) Filed: **May 4, 2004**

(30) **Foreign Application Priority Data**

Nov. 5, 2003 (KR) ..... 30-2003-0031246

(51) **LOC (8) Cl.** ..... **15-07**

(52) **U.S. Cl.** ..... **D15/89**

(58) **Field of Classification Search** ..... D15/79, D15/81, 85-89, 91; D13/162, 162.1, 171; D14/239, 300, 441; D18/41, 54, 56; D7/406; 62/3.1, 3.6, 3.63, 3.64, 125, 126, 331; 312/7.2, 312/9.1, 236, 352, 400-406; 380/552; D32/28  
See application file for complete search history.

(56) **References Cited**

**U.S. PATENT DOCUMENTS**

- D408,416 S \* 4/1999 Fenner et al. .... D14/239
- D409,162 S \* 5/1999 Schneider ..... D14/300
- D426,259 S \* 6/2000 Kabumoto et al. .... D18/41
- D527,746 S \* 9/2006 Kim et al. .... D15/85
- D527,747 S \* 9/2006 Kim et al. .... D15/85
- D530,727 S \* 10/2006 Becke ..... D15/87

- D533,198 S \* 12/2006 Becke ..... D15/89
- D536,712 S \* 2/2007 Kim ..... D15/85
- 2001/0052741 A1\* 12/2001 Yun ..... 312/405
- 2004/0177624 A1\* 9/2004 Wo ..... 62/125
- 2005/0097912 A1\* 5/2005 Nam et al. .... 62/331
- 2005/0138948 A1\* 6/2005 Lee ..... 62/331
- 2006/0021360 A1\* 2/2006 Kim et al. .... 62/126

\* cited by examiner

*Primary Examiner*—Stella M. Reid

*Assistant Examiner*—Shanda C. Hill

(74) *Attorney, Agent, or Firm*—Birch, Stewart, Kolasch & Birch, LLP

(57) **CLAIM**

We claim the ornamental design for television integrated in refrigerator, as shown and described.

**DESCRIPTION**

FIG. 1 is a perspective view of television integrated in refrigerator showing the new design:

FIG. 2 is a front view thereof;

FIG. 3 is a rear view thereof;

FIG. 4 is a left-side view thereof;

FIG. 5 is a right-side view thereof;

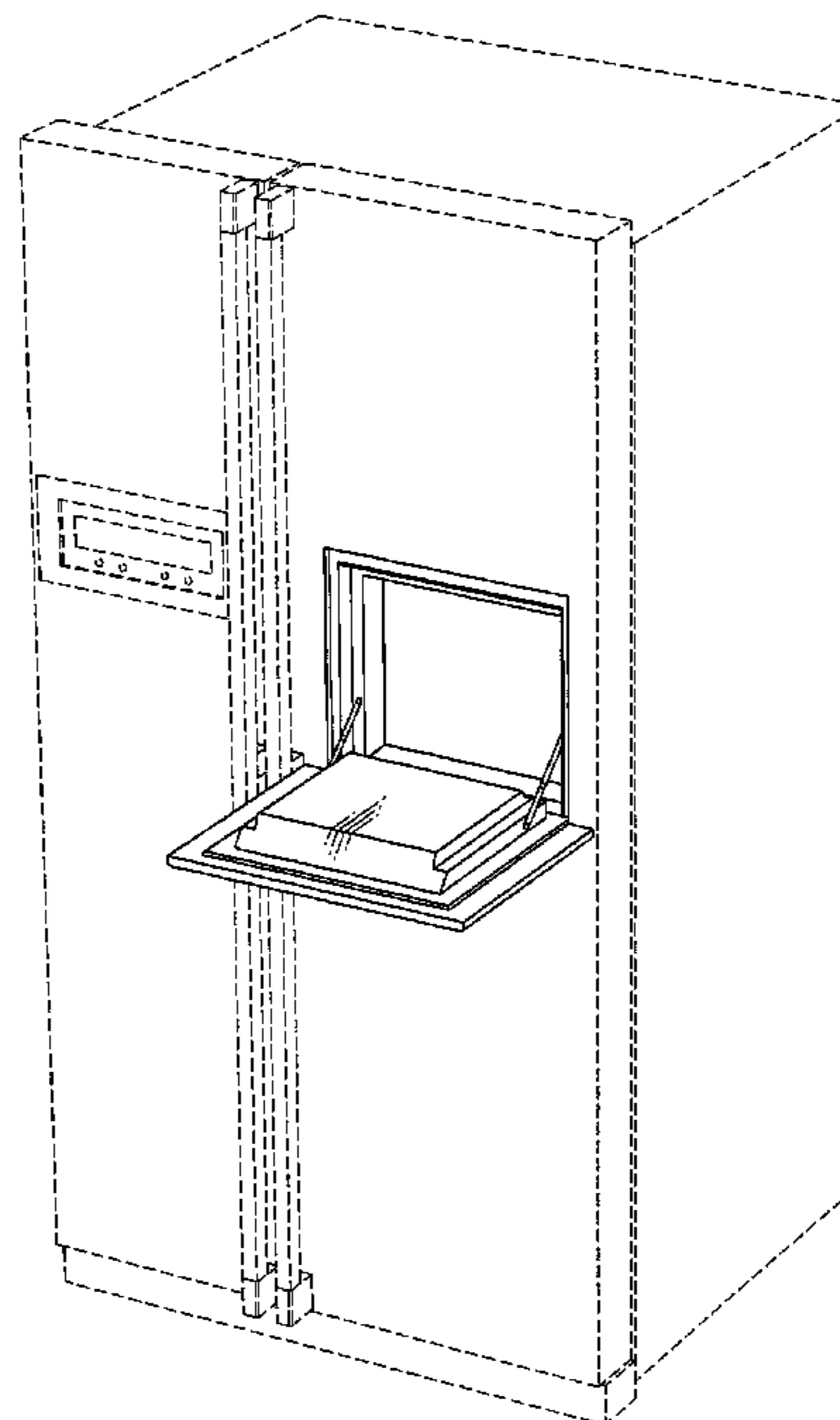
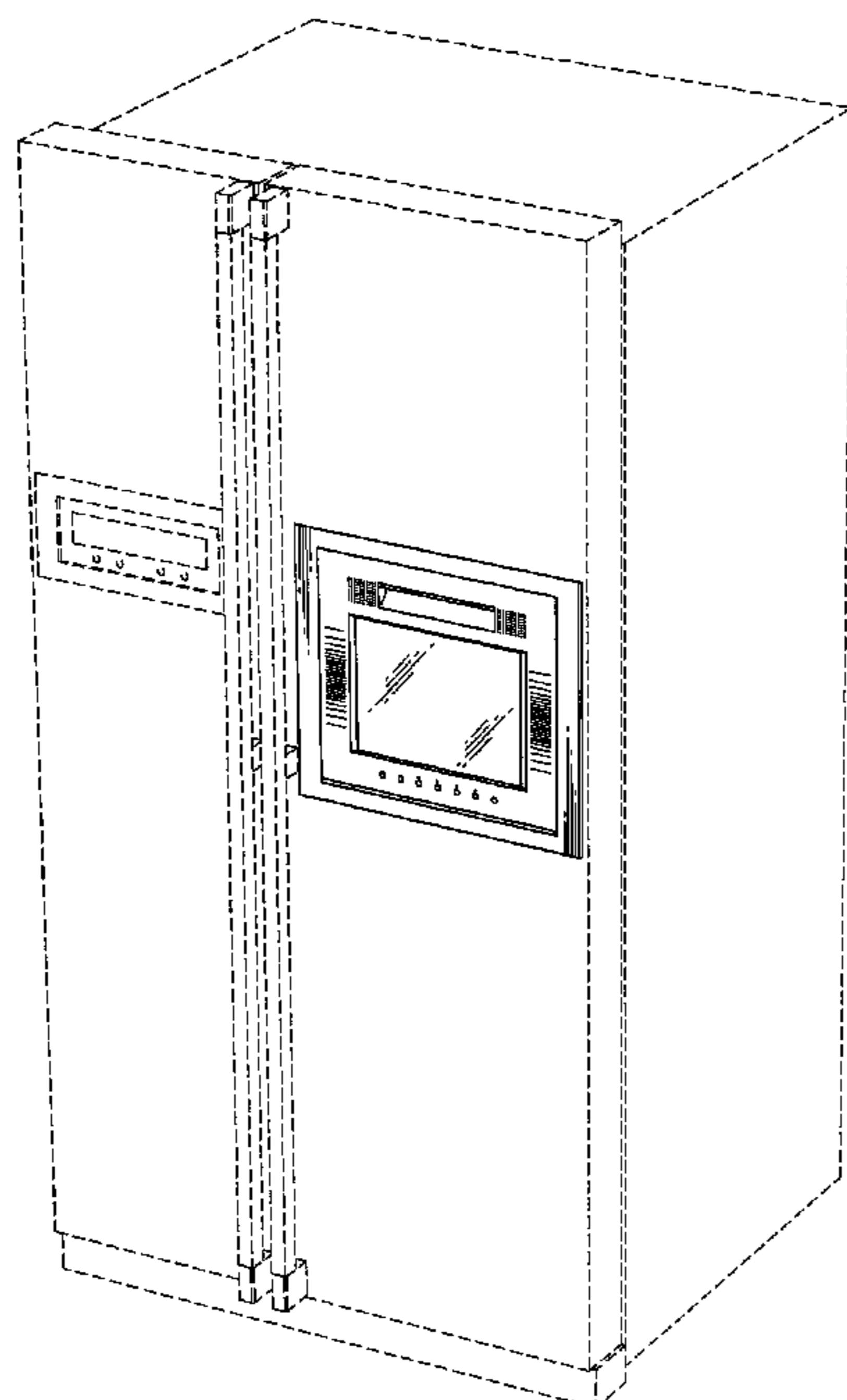
FIG. 6 is a top plan view thereof;

FIG. 7 is a bottom plan view thereof; and,

FIG. 8 is a perspective view of FIG. 1 shown in an alternate position.

The broken lines shown in the drawing disclosure are for illustrative purposes only and form no part of the claimed design.

**1 Claim, 7 Drawing Sheets**



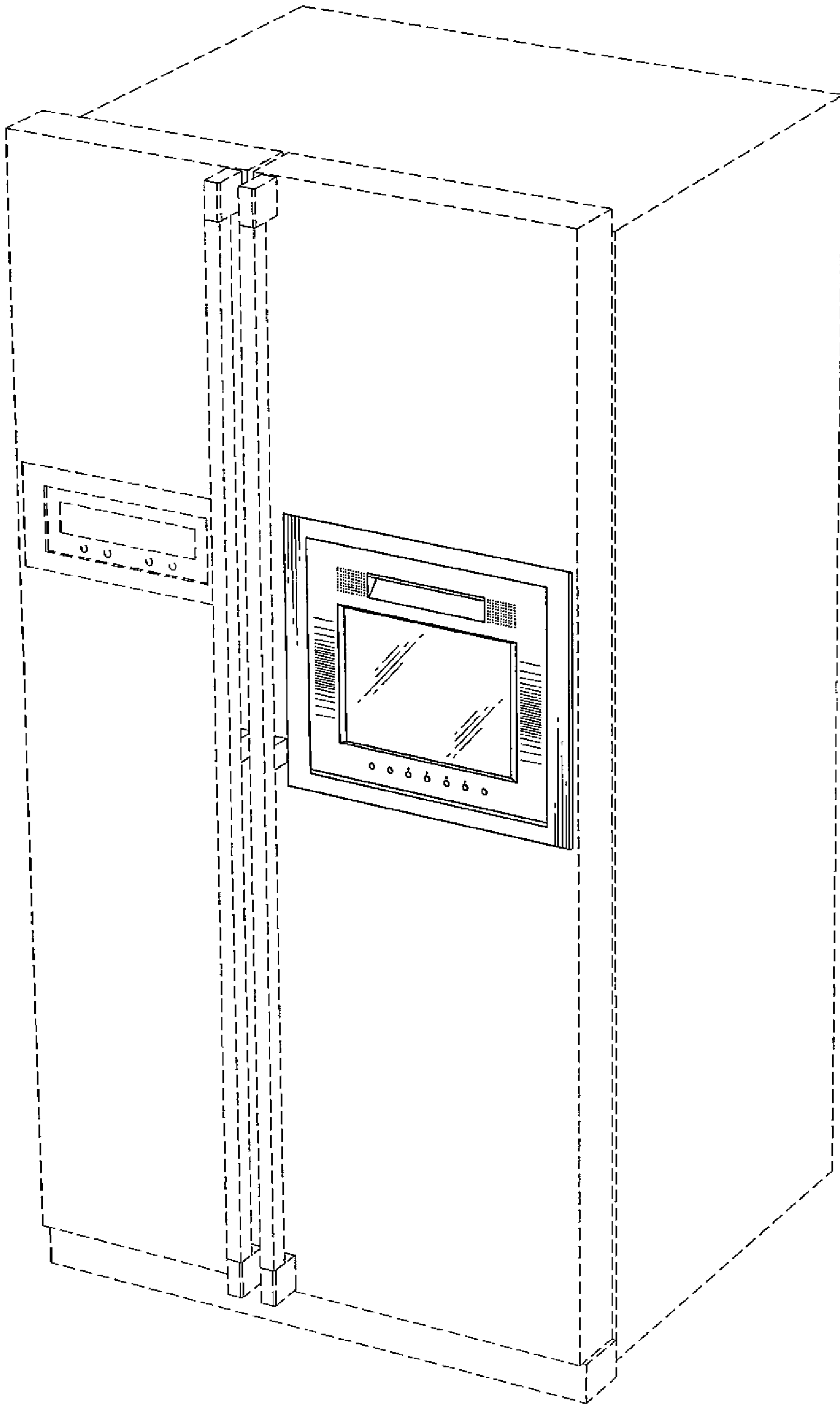


FIG.1

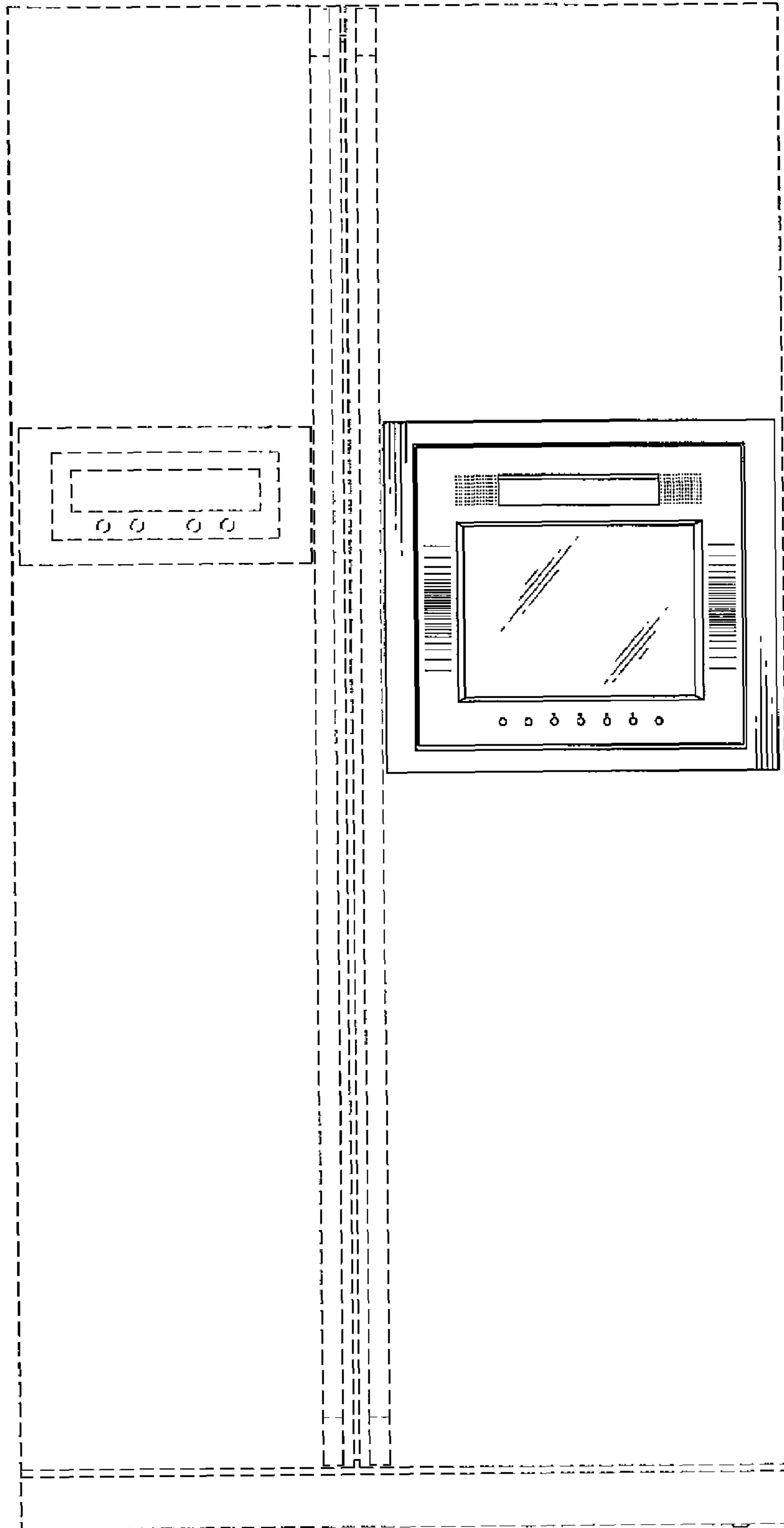


FIG. 2

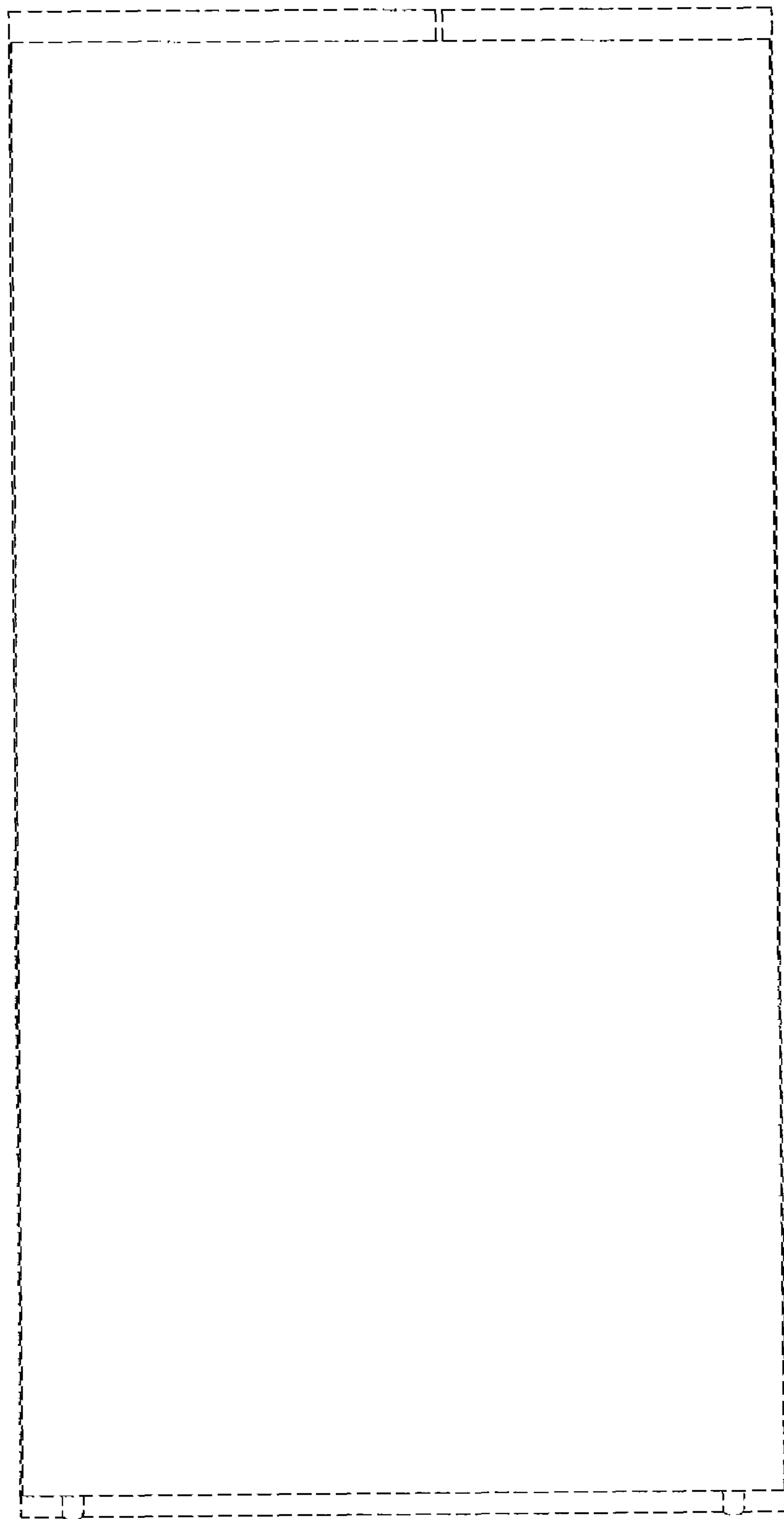


FIG.3

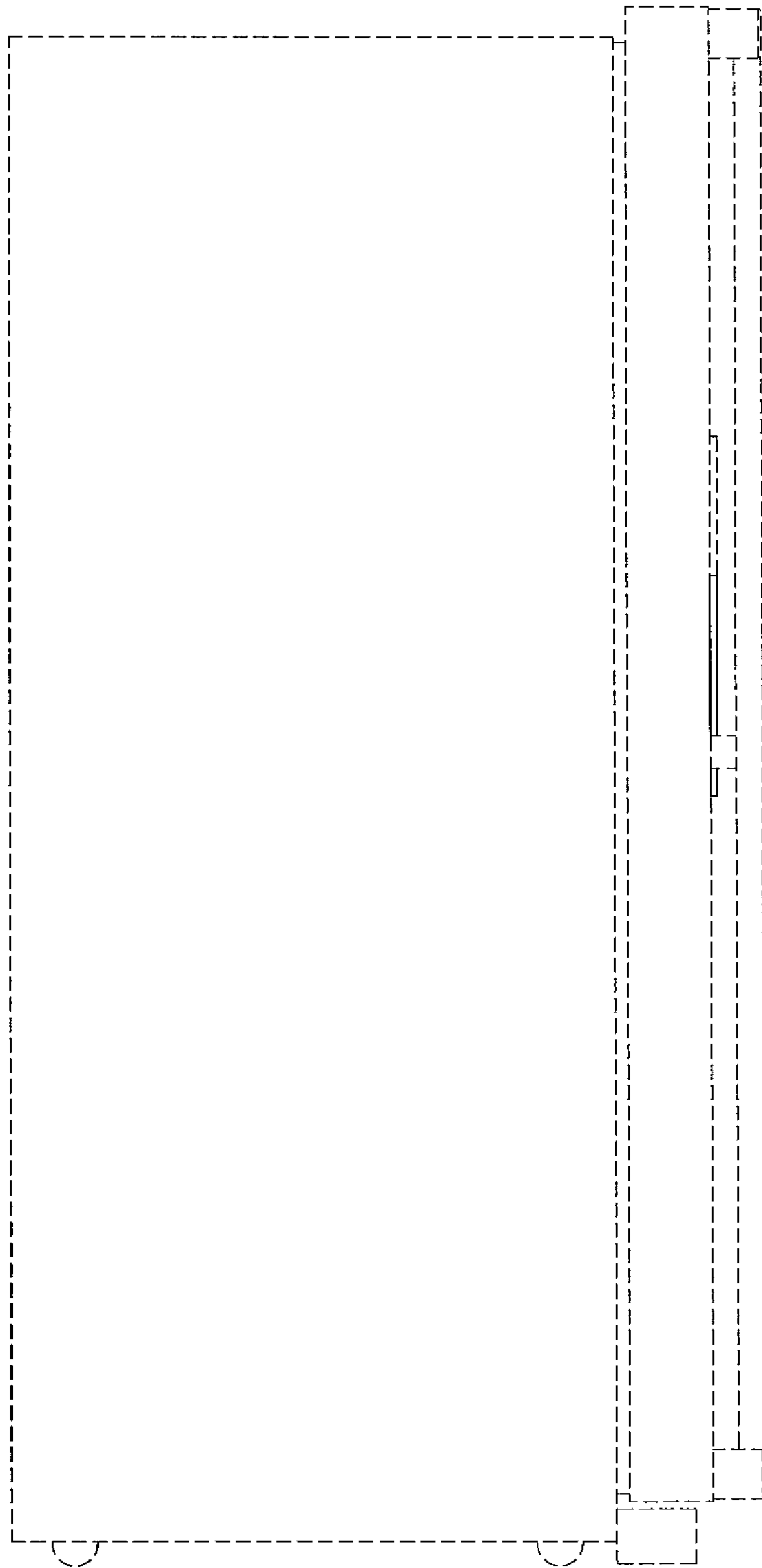


FIG.4

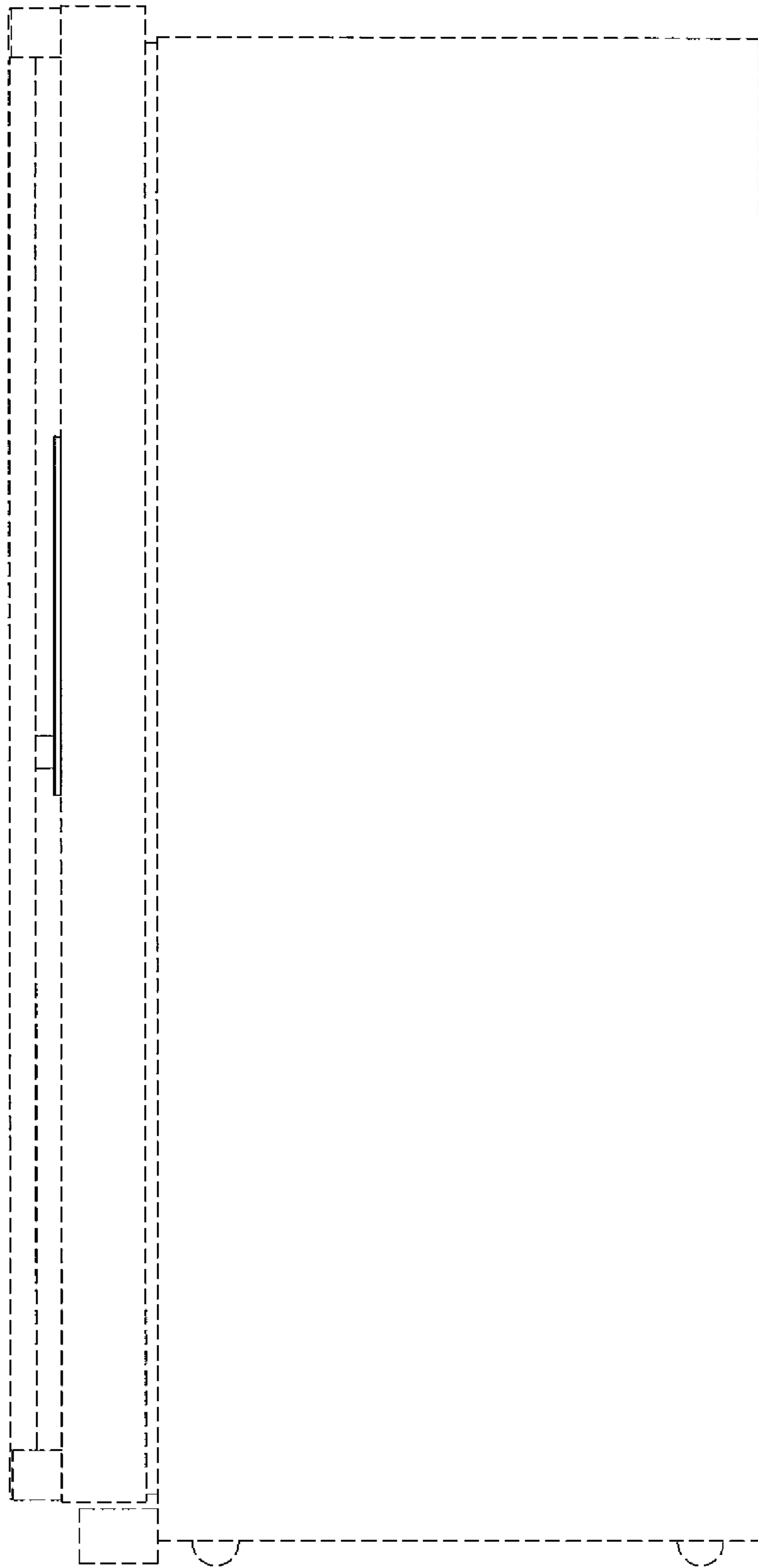


FIG.5

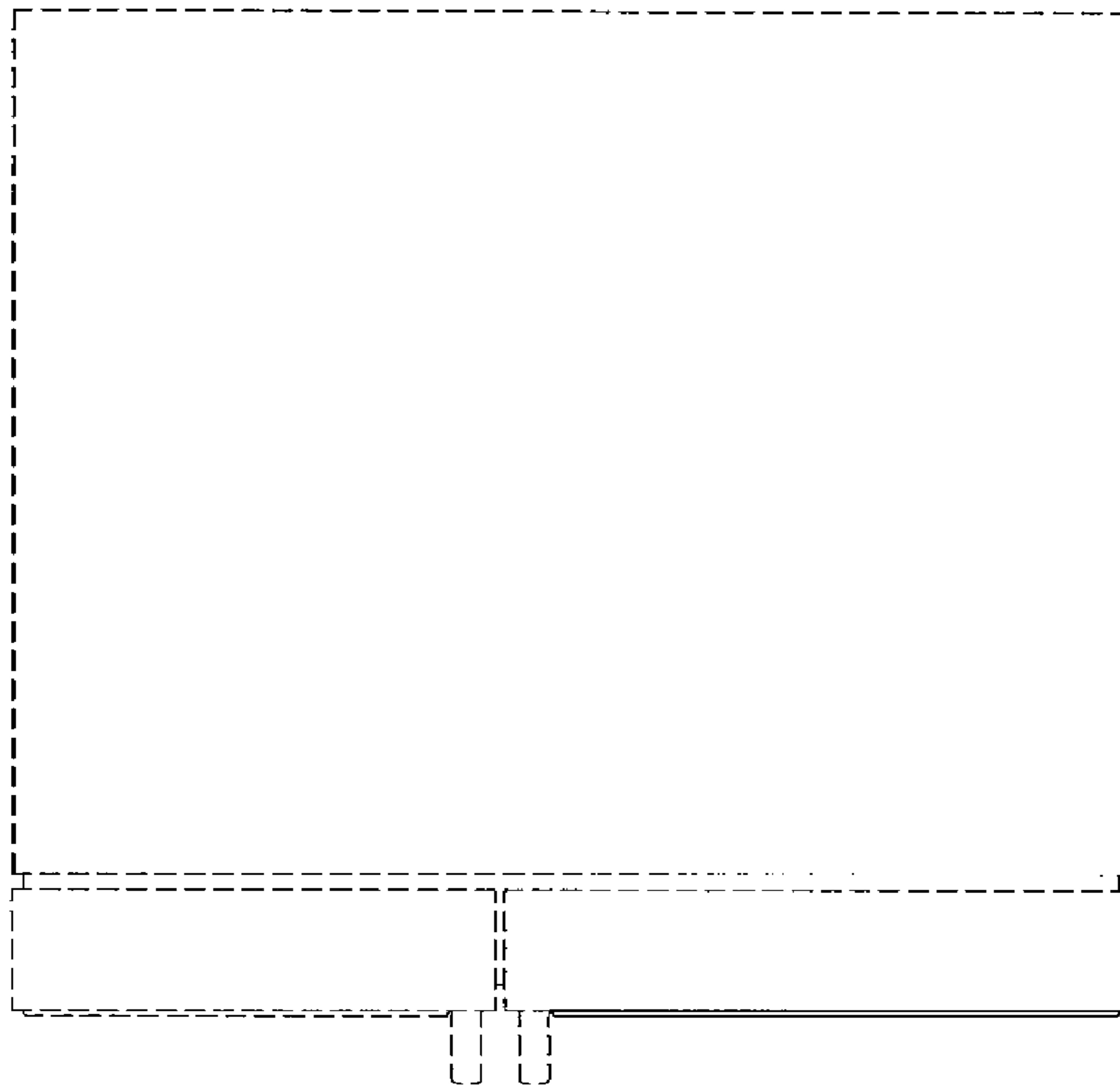


FIG. 6

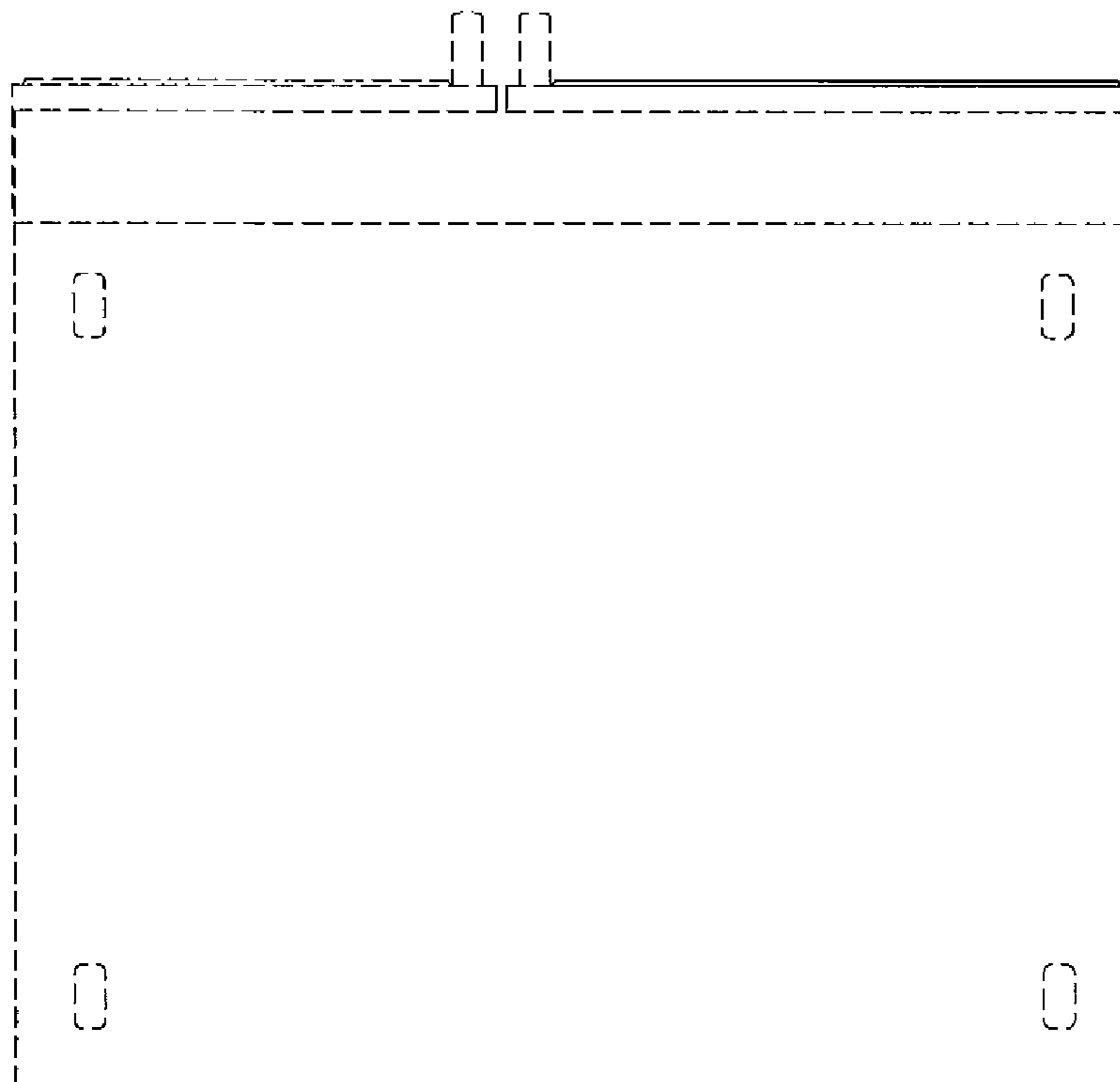


FIG. 7

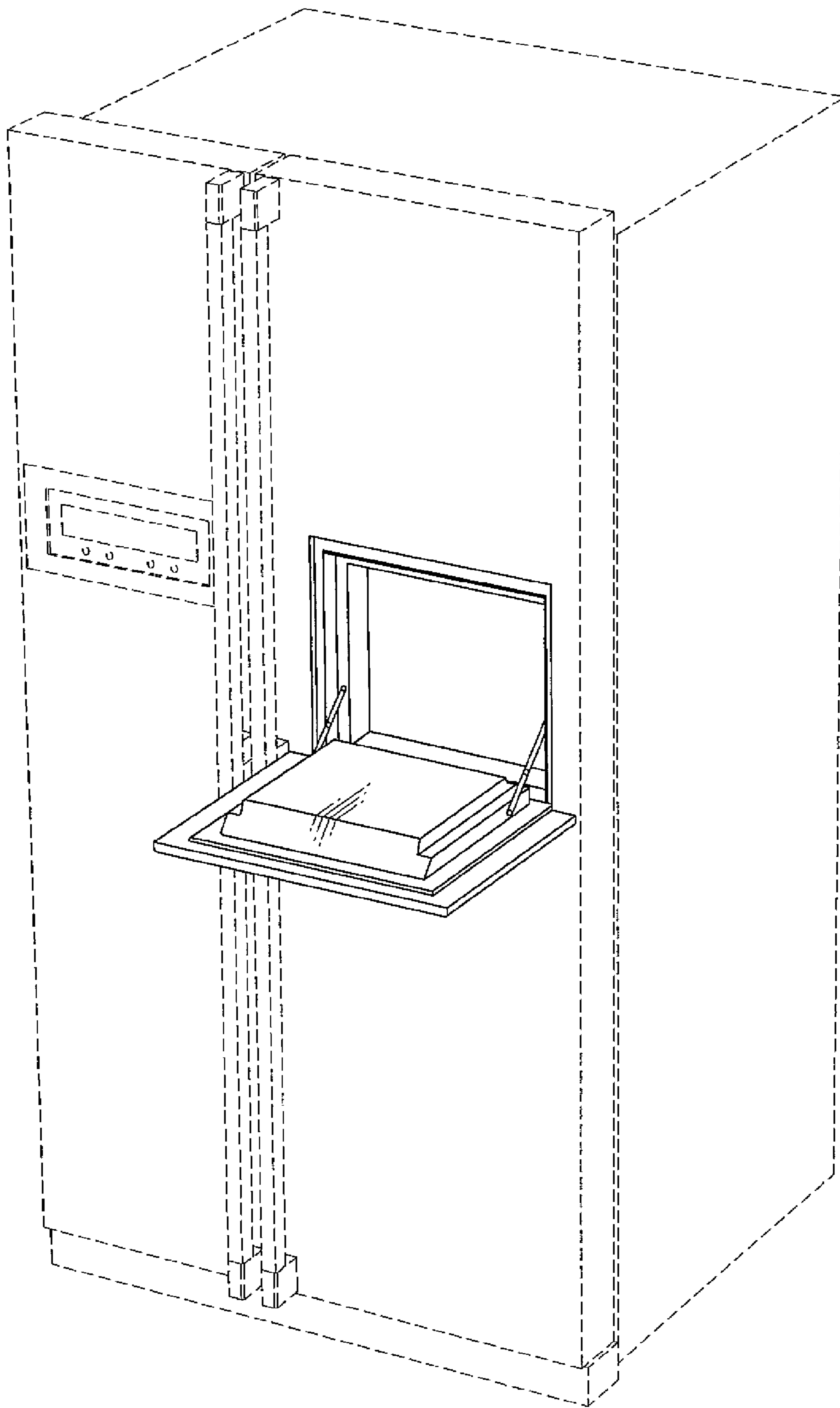


FIG.8