



US00D560693S

(12) **United States Design Patent**
Moen et al.

(10) **Patent No.:** **US D560,693 S**
(45) **Date of Patent:** **** Jan. 29, 2008**

(54) **SPRAYER ENGINE PACKAGE ENCLOSURE**

(75) Inventors: **Richard Arden Moen**, Glenwood, MN
(US); **Dane M. Kallevig**, Spicer, MN
(US)

(73) Assignee: **CNH America LLC**, Racine, WI (US)

(**) Term: **14 Years**

(21) Appl. No.: **29/277,168**

(22) Filed: **Feb. 16, 2007**

(51) **LOC (8) Cl.** **15-03**

(52) **U.S. Cl.** **D15/31**

(58) **Field of Classification Search** D15/10,
D15/14, 15, 17, 31, 22-26, 33; 180/69.2,
180/89.1, 89.12, 900, 68.6; 56/12.7, 15.8,
56/16.7, 13.3, 10.1, 202, 320.1; D12/190,
D12/163

See application file for complete search history.

(56) **References Cited**

U.S. PATENT DOCUMENTS

1,446,814 A	2/1923	Scott	
1,825,134 A	9/1931	Storms	
1,872,467 A	8/1932	Kulka	
2,086,172 A	7/1937	Northup	
2,311,965 A	2/1943	Reynolds	
2,410,734 A	11/1946	Hitzelberger	
2,733,772 A	2/1956	Lamb	
2,761,523 A	9/1956	Lee	
2,952,328 A	9/1960	Steiner	
2,962,107 A	11/1960	Mihal et al.	
D192,091 S *	1/1962	Lathe	D15/31
3,216,760 A	11/1965	Buchwald	
3,918,540 A	11/1975	Haupt	
D246,370 S *	11/1977	Lorenz	D15/31
D279,569 S *	7/1985	Miggels et al.	D15/31
5,645,134 A	7/1997	Frankel et al.	
D389,492 S *	1/1998	Schmidt et al.	D15/31
D413,905 S *	9/1999	Schmidt et al.	D15/31

6,116,366 A	9/2000	Creswick et al.	
D451,106 S *	11/2001	Crookes et al.	D15/31
6,361,093 B2 *	3/2002	Garberg	293/115
D458,944 S *	6/2002	Crookes et al.	D15/31
6,626,256 B2	9/2003	Dennison et al.	
6,669,274 B2	12/2003	Barnard et al.	
D495,344 S *	8/2004	Farlow et al.	D15/31
D495,345 S *	8/2004	Farlow et al.	D15/31
D497,370 S *	10/2004	Katoh	D15/31
D512,079 S *	11/2005	Farlow et al.	D15/31
D512,445 S *	12/2005	Farlow et al.	D15/31
2001/0004949 A1	6/2001	Burgo	
2006/0000660 A1	1/2006	Moen et al.	

FOREIGN PATENT DOCUMENTS

EP 0515737 A1 12/1992

* cited by examiner

Primary Examiner—Stella M. Reid

Assistant Examiner—Mark Goodwin

(74) *Attorney, Agent, or Firm*—Rebecca Henkel

(57) **CLAIM**

We claim the ornamental design for the sprayer engine package enclosure, as shown and described.

DESCRIPTION

FIG. 1 is a top left perspective view of the sprayer engine package enclosure showing our new design;

FIG. 2 is a top view of the sprayer engine enclosure;

FIG. 3 is a left side view of the sprayer engine enclosure;

FIG. 4 is a front view of the sprayer engine enclosure;

FIG. 5 is a right side view of the sprayer engine enclosure;

FIG. 6 is a rear view of the sprayer engine enclosure; and,

FIG. 7 is a bottom view of the sprayer engine enclosure.

The broken line showing of FIGS. 1-7 is included for purpose of illustrating portions of the sprayer engine package enclosure and forms no part of the claimed design.

1 Claim, 7 Drawing Sheets

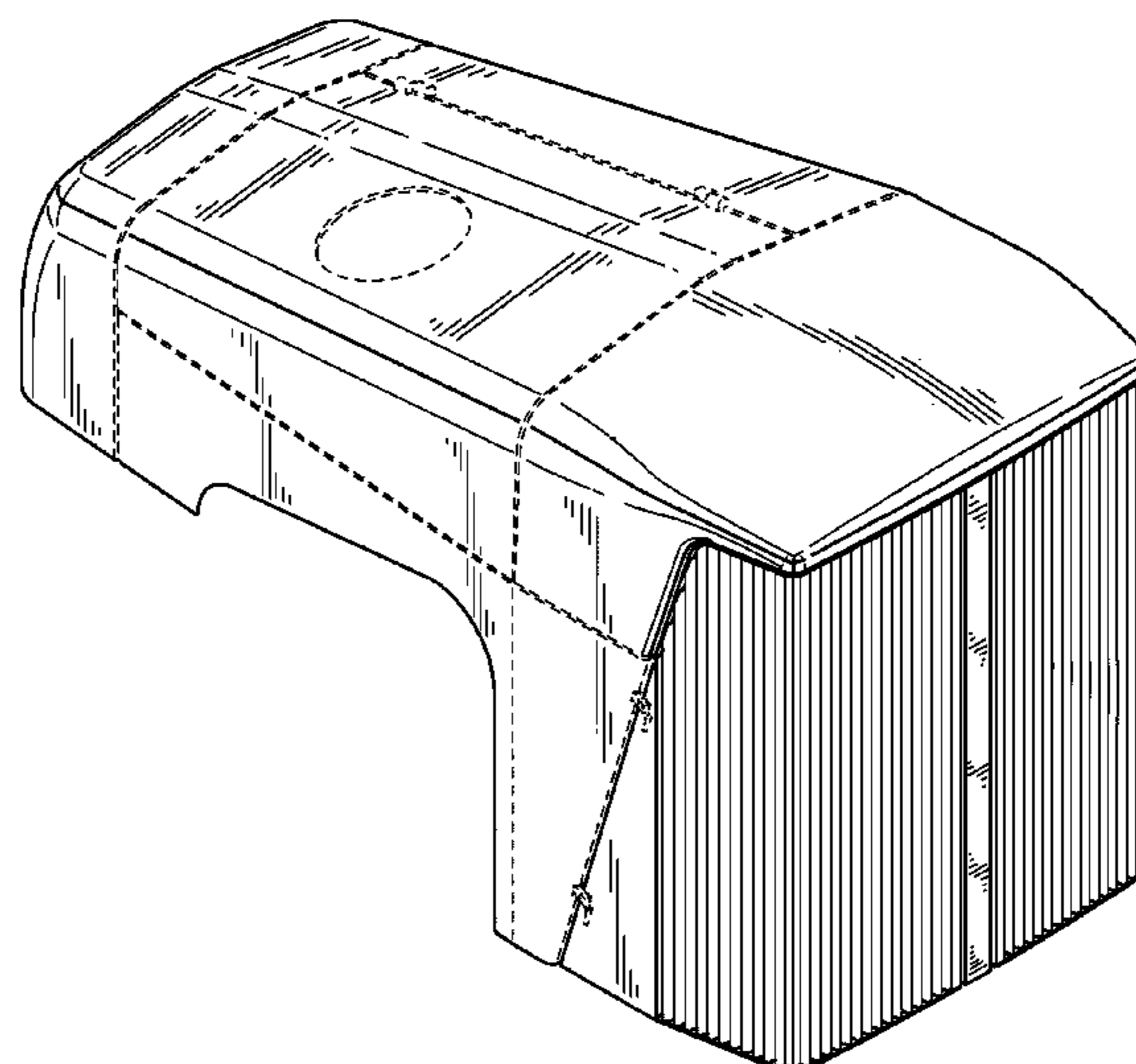
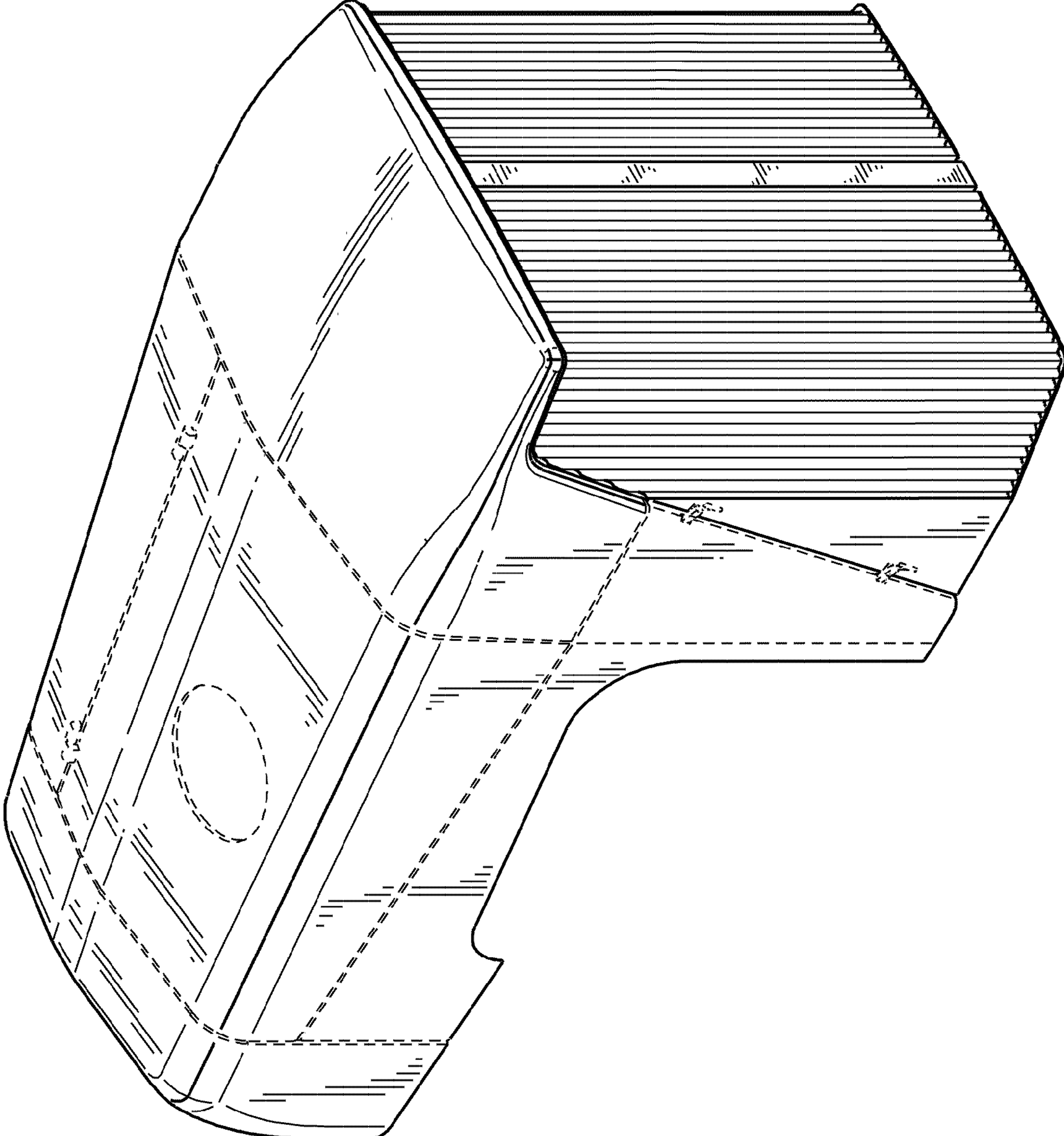


FIG. 1



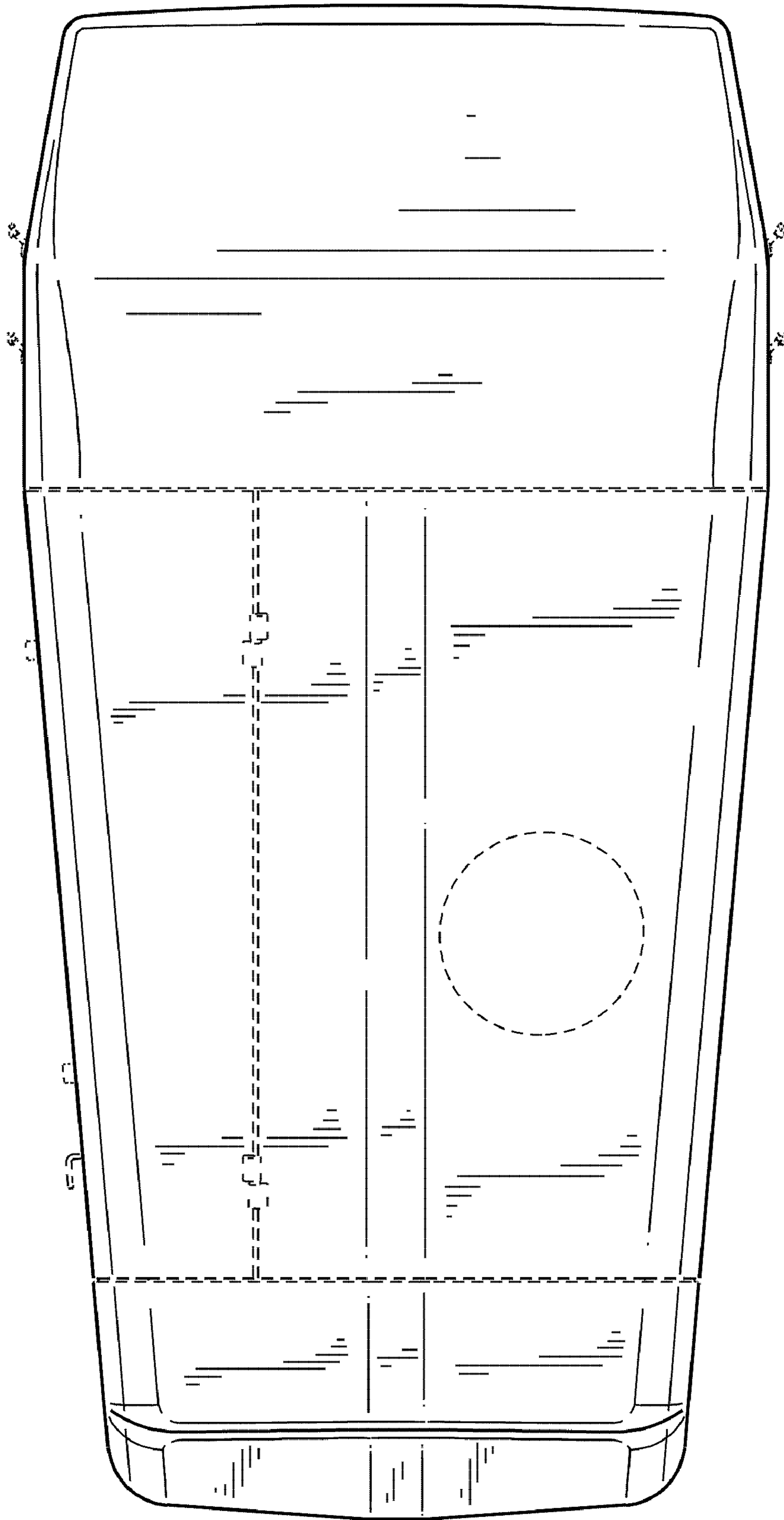


FIG. 2

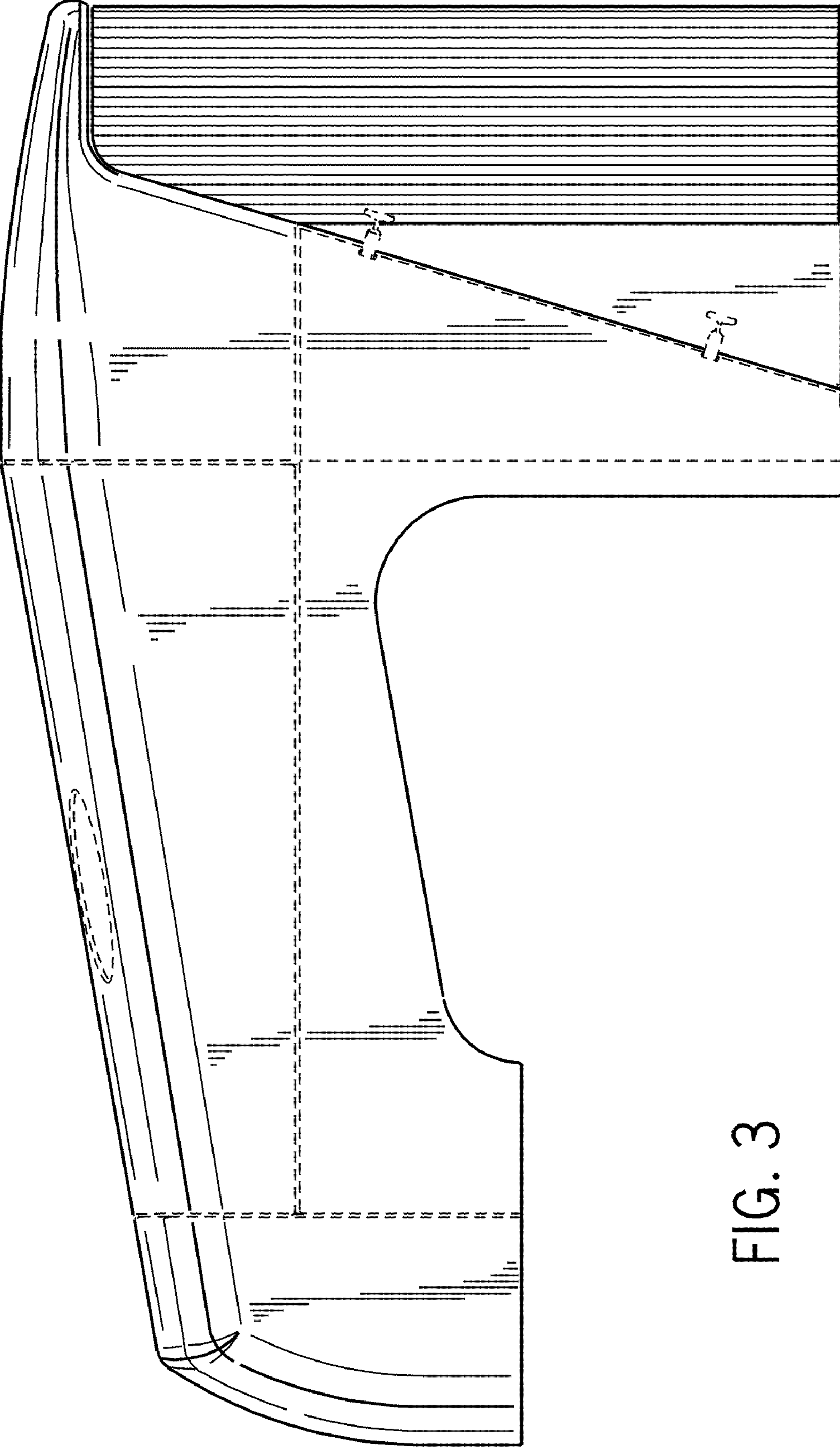


FIG. 3

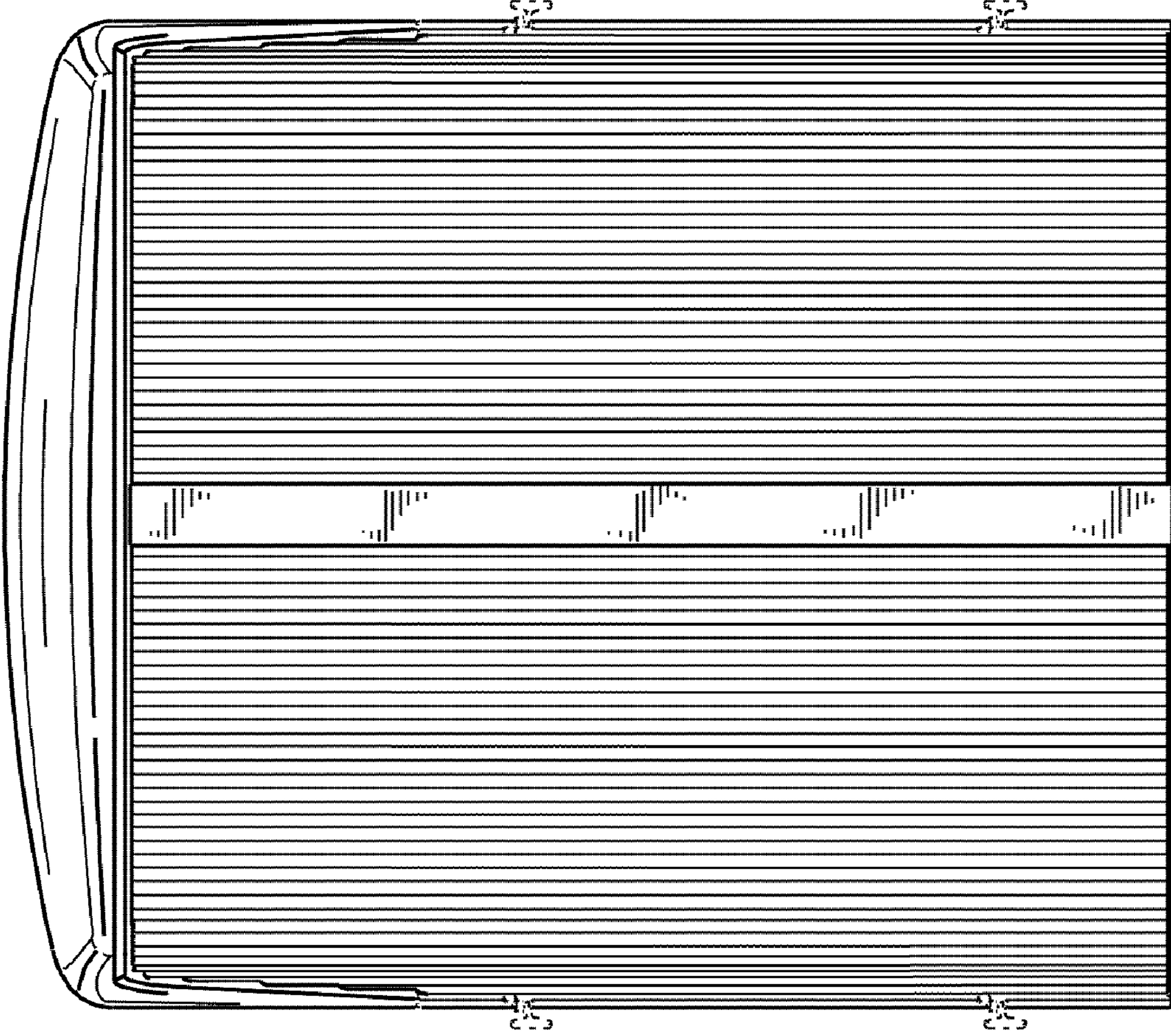


FIG. 4

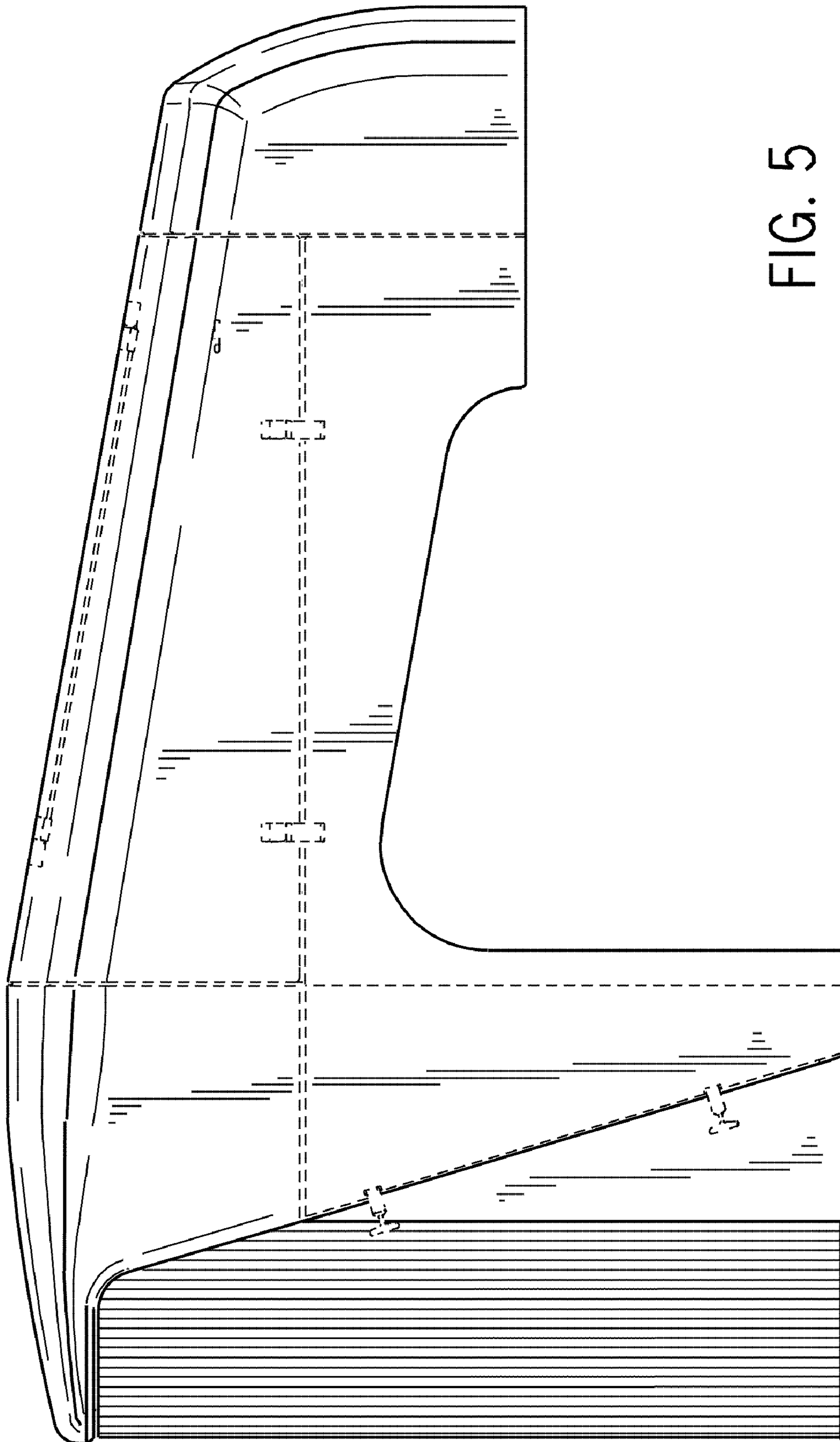
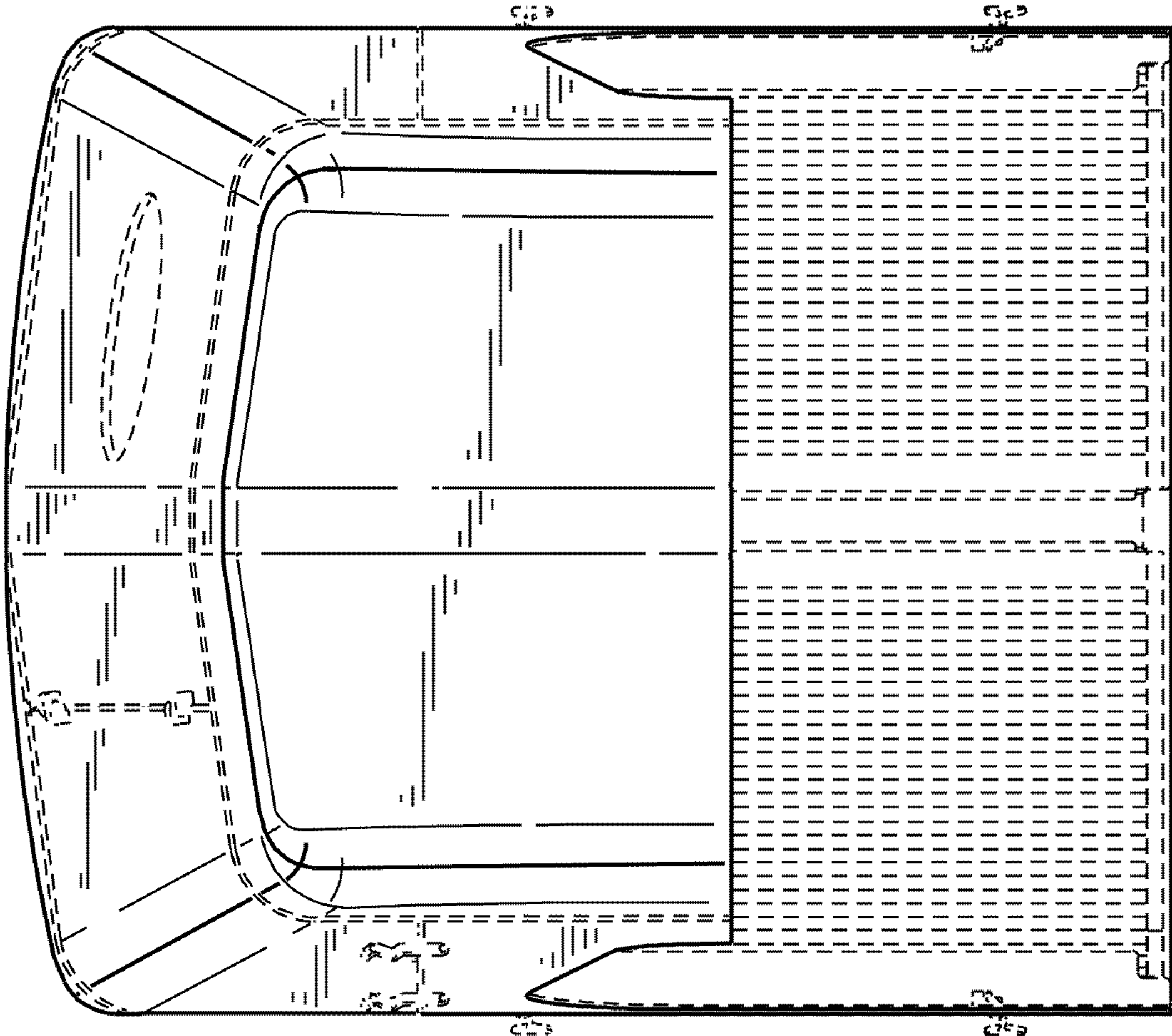


FIG. 5

FIG. 6



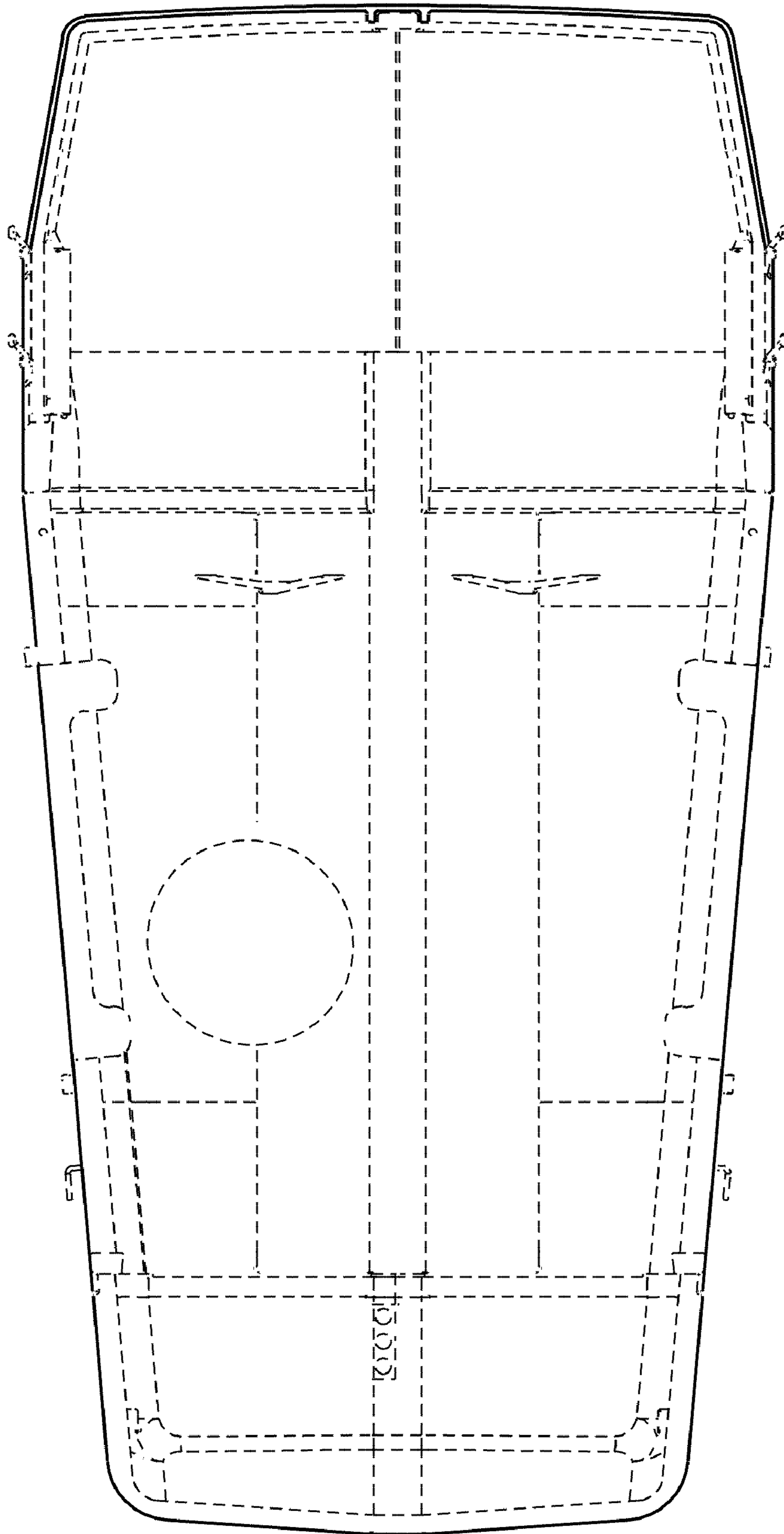


FIG. 7