

US00D560692S

(12) **United States Design Patent**
Moen et al.

(10) **Patent No.:** **US D560,692 S**
(45) **Date of Patent:** **** Jan. 29, 2008**

- (54) **GRILLE ARRANGEMENT FOR A DRIVE UNIT ENCLOSURE**
- (75) Inventors: **Richard Arden Moen**, Glenwood, MN (US); **Dane Kallevig**, Spicer, MN (US)
- (73) Assignee: **CNH America LLC**, New Holland, PA (US)
- (**) Term: **14 Years**
- (21) Appl. No.: **29/276,788**
- (22) Filed: **Feb. 6, 2007**
- (51) **LOC (8) Cl.** **15-03**
- (52) **U.S. Cl.** **D15/31**
- (58) **Field of Classification Search** D15/10,
D15/14, 15, 17, 31, 22-26, 33; 180/69.2,
180/89.1, 89.12, 900, 68.6; 56/12.7, 15.8,
56/16.7, 13.3, 10.1, 202, 320.1; D12/190,
D12/163

See application file for complete search history.

(56) **References Cited**

U.S. PATENT DOCUMENTS

D97,230 S	10/1935	Gubitz	
2,151,229 A	3/1939	Piroumoff et al.	
2,542,238 A	2/1951	Dreyfuss	
2,549,524 A *	4/1951	Rich	180/68.6
2,796,141 A	6/1957	Schreiner	
D192,091 S *	1/1962	Lathe	D15/31
D224,651 S *	8/1972	Lorenz	D15/31
D230,876 S *	3/1974	Lorenz	D15/31
D279,569 S *	7/1985	Miggels et al.	D15/31
D327,276 S *	6/1992	Sorensen	D15/31
D365,578 S *	12/1995	Westimayer et al.	D15/31
5,490,574 A	2/1996	Ishizumi et al.	
D382,279 S *	8/1997	Goebert et al.	D15/31
D411,210 S *	6/1999	Goebert et al.	D15/31

D419,164 S *	1/2000	Heiler et al.	D15/31
6,361,093 B2 *	3/2002	Garberg	293/115
6,431,288 B1	8/2002	Hoffart	
D500,772 S *	1/2005	Montgomery et al.	D15/31
6,837,326 B2	1/2005	Haun et al.	
D522,537 S *	6/2006	Higashikawa	D15/31
2004/0216934 A1	11/2004	Tormiyama et al.	
2006/0055208 A1	3/2006	Troton	

FOREIGN PATENT DOCUMENTS

DE 2350077 4/1975

* cited by examiner

Primary Examiner—Stella M. Reid
Assistant Examiner—Mark Goodwin
(74) *Attorney, Agent, or Firm*—Rebecca Henkel

(57) **CLAIM**

We claim the ornamental design for the grille arrangement for a drive unit enclosure, as shown and described.

DESCRIPTION

FIG. 1 is a top left perspective view of the grille arrangement for a drive unit enclosure showing our new design;

FIG. 2 is a left side view of the grille arrangement for a drive unit enclosure;

FIG. 3 is a front view of the grille arrangement for a drive unit enclosure;

FIG. 4 is right side view of the grille arrangement for a drive unit enclosure; and,

FIG. 5 is an enlarged fragmentary section view of grille area, taken along Lines 5—5 of FIG. 3.

The broken line showing of the hood is included for the purpose of illustrating environmental structure and forms no part of the claimed design.

1 Claim, 5 Drawing Sheets

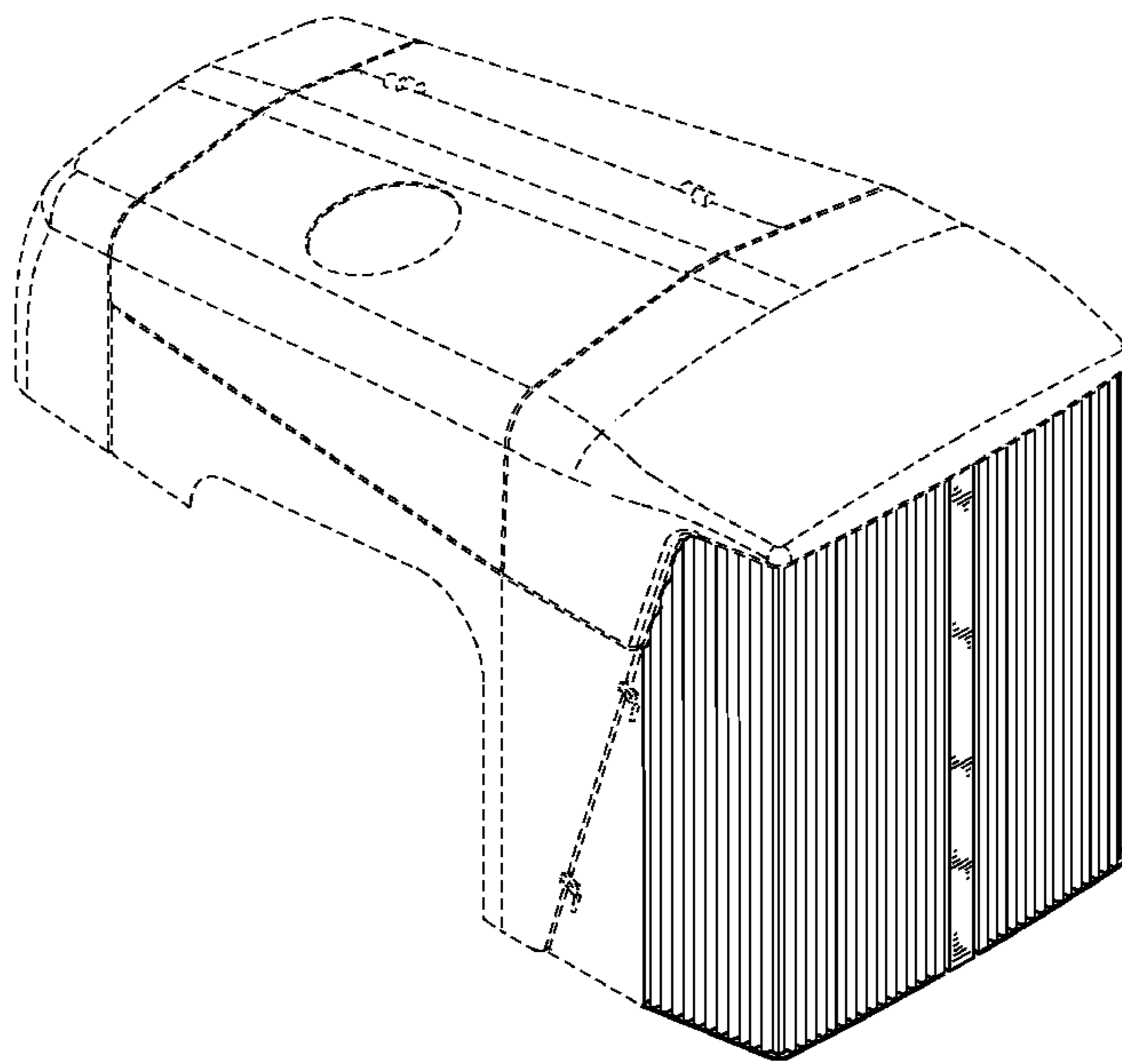
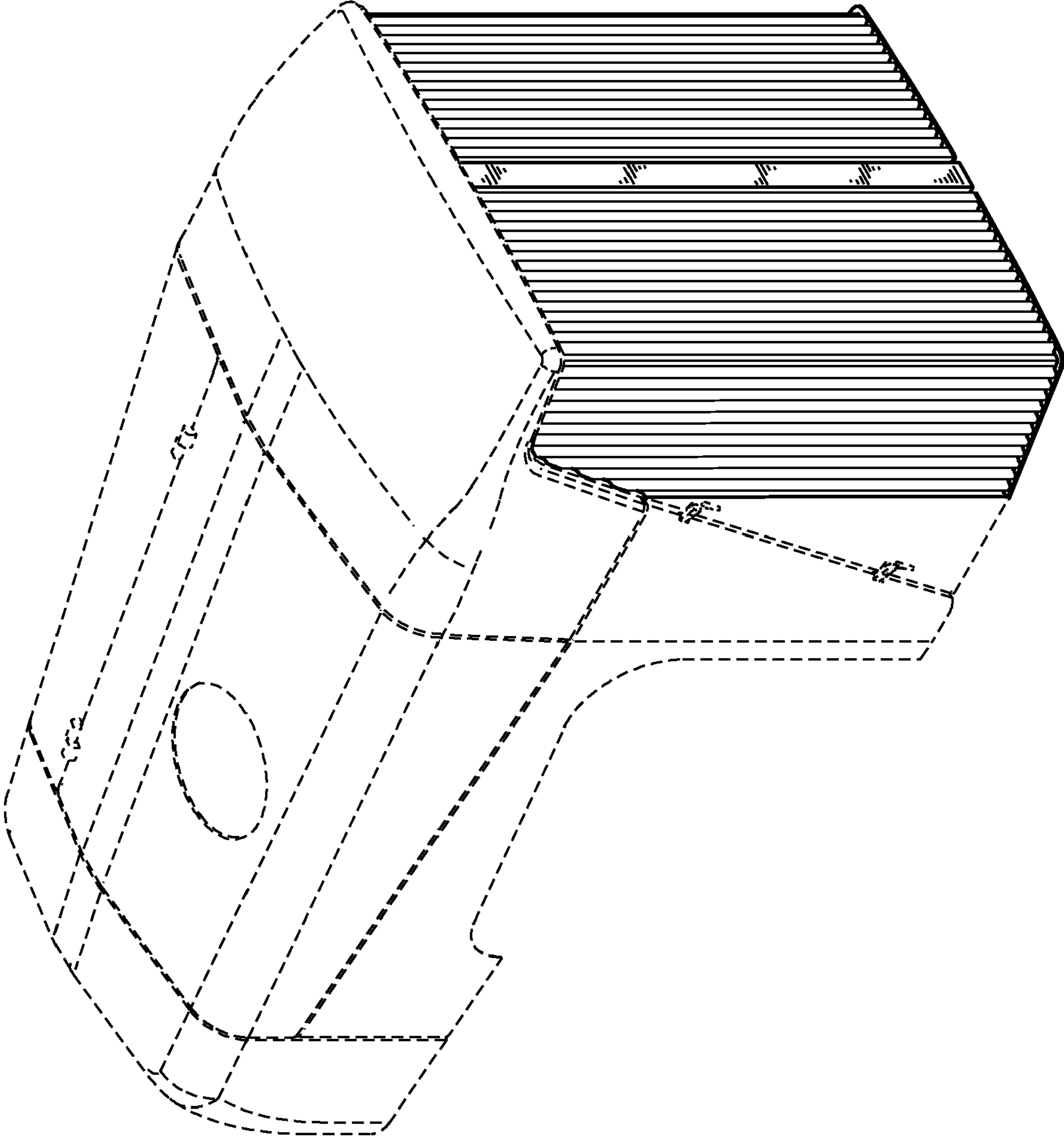


FIG. 1



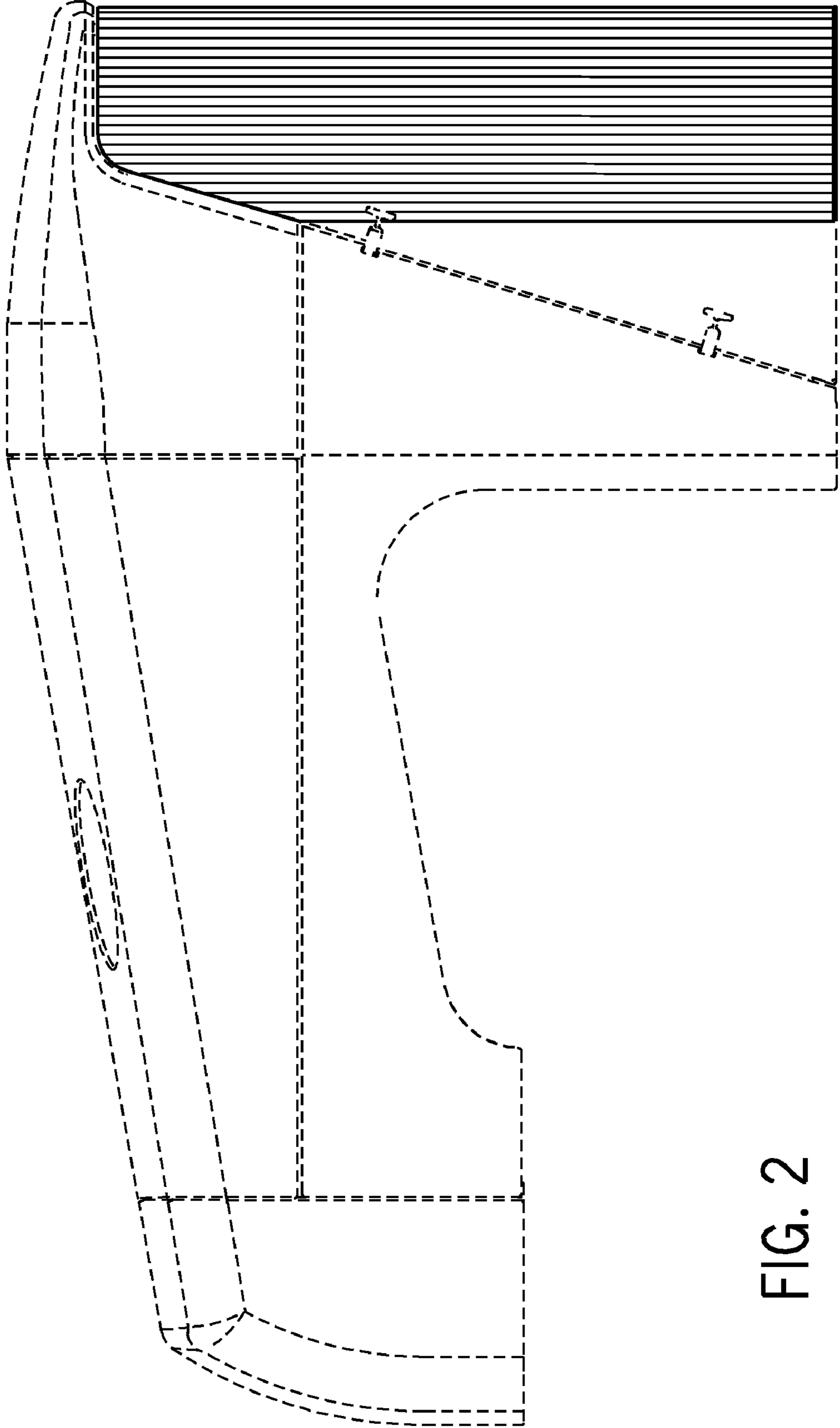


FIG. 2

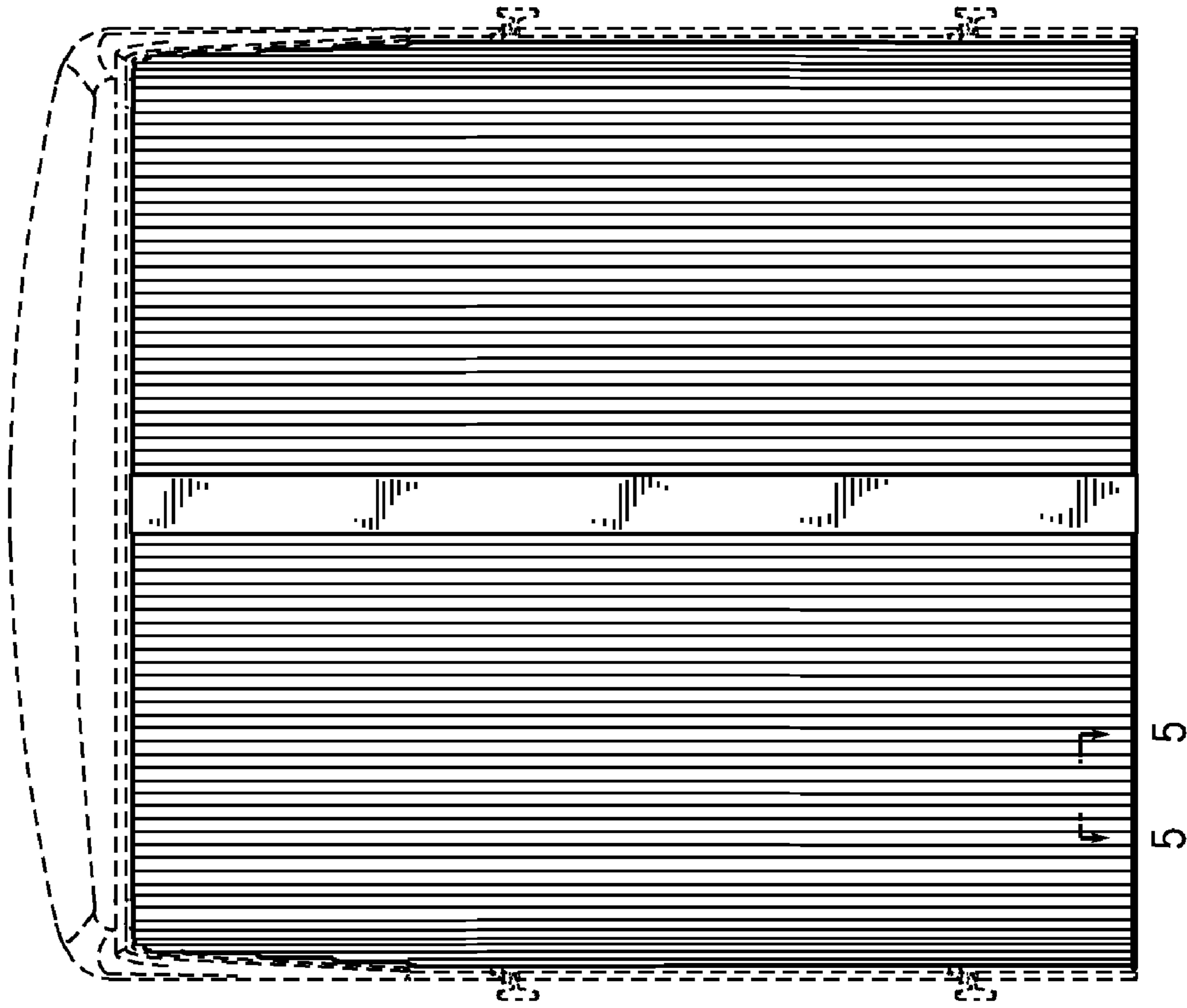


FIG. 3

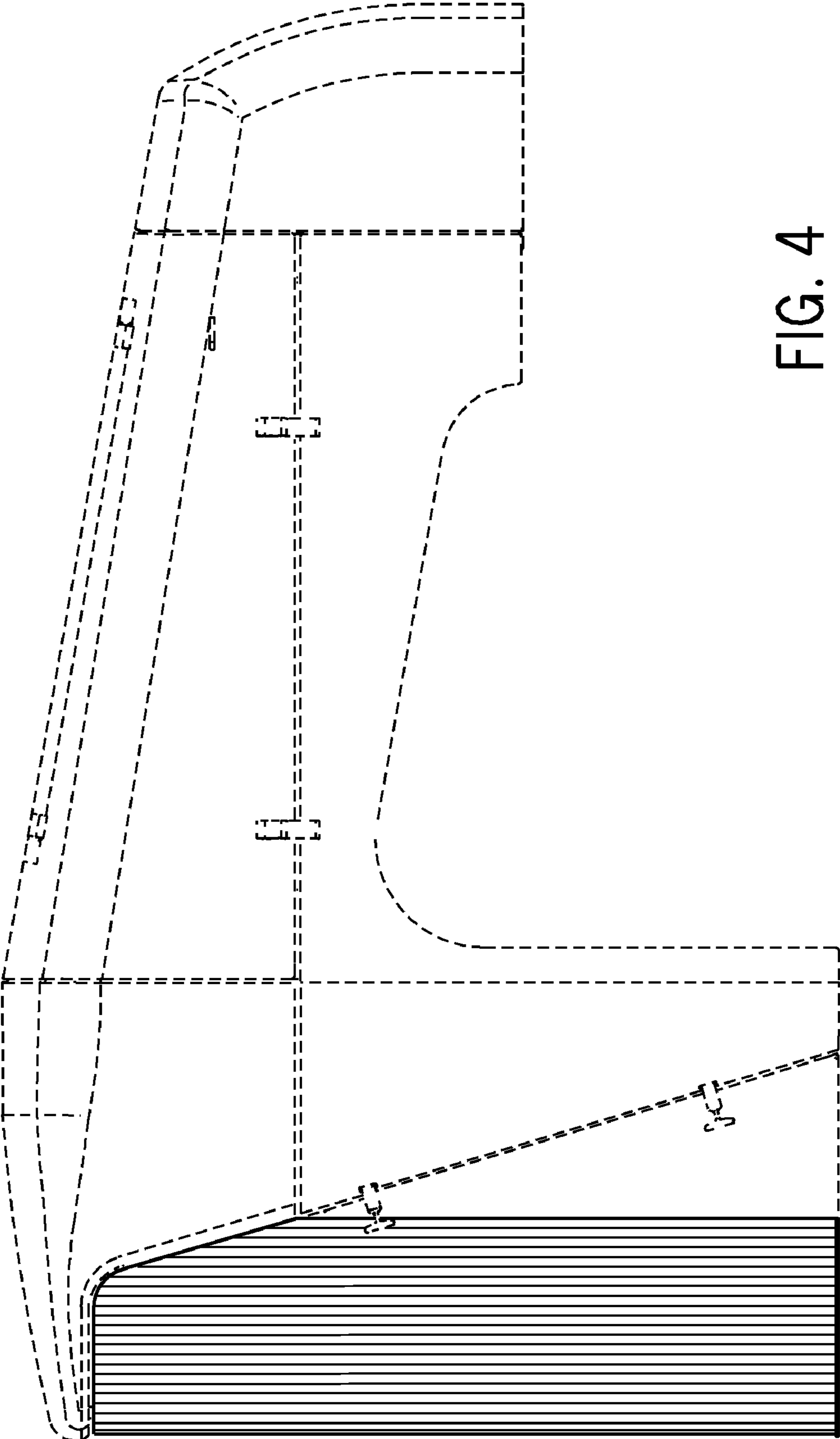


FIG. 4

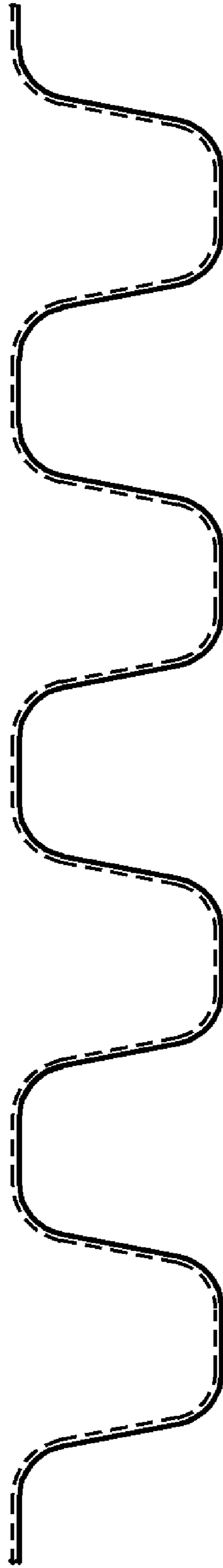


FIG. 5