



US00D560685S

(12) **United States Design Patent**
Lopez

(10) **Patent No.:** **US D560,685 S**

(45) **Date of Patent:** **** Jan. 29, 2008**

(54) **PORTABLE ENTERTAINMENT CENTER**

(76) **Inventor:** **Patrick M. Lopez**, 1408 Leominster Ct., Virginia Beach, VA (US) 23456

(**) **Term:** **14 Years**

(21) **Appl. No.:** **29/262,758**

(22) **Filed:** **Jul. 11, 2006**

Related U.S. Application Data

(63) Continuation-in-part of application No. 29/192,173, filed on Oct. 20, 2003, now abandoned.

(51) **LOC (8) Cl.** **14-03**

(52) **U.S. Cl.** **D14/496; D14/168**

(58) **Field of Classification Search** D14/496, D14/156, 157, 160-168, 193-198, 188; 434/307 R, 434/308, 309, 433; 273/148 B; 463/40-47; 348/836, 837, 838; 181/144, 145; 312/249.1, 312/249.9, 249.8, 351.1; 369/1, 2, 12
See application file for complete search history.

(56) **References Cited**

U.S. PATENT DOCUMENTS

D217,396	S	*	4/1970	Gentile et al.	D16/202
4,843,624	A	*	6/1989	Rashak	381/91
4,936,594	A	*	6/1990	Oliver, III	280/47.19
D310,075	S	*	8/1990	Mannion et al.	D16/202
D372,379	S	*	8/1996	Newman	D6/467
5,781,853	A	*	7/1998	Johnson	455/351

6,041,023	A	*	3/2000	Lakhansingh	369/7
D476,638	S	*	7/2003	Tsukahara	D14/168
6,953,886	B1	*	10/2005	Looney et al.	84/615
6,968,067	B2	*	11/2005	Lopez	381/334
7,143,601	B1	*	12/2006	Jimenez	62/457.7
D546,347	S	*	7/2007	Millora	D14/496
7,237,818	B2	*	7/2007	Crean et al.	296/26.13

* cited by examiner

Primary Examiner—Prabhakar Deshmukh

(74) *Attorney, Agent, or Firm*—Fulbright & Jaworski; Jan K. Simpson

(57) **CLAIM**

The ornamental design for a portable entertainment center, as shown and described.

DESCRIPTION

FIG. 1 is a front, right and top perspective view of a portable entertainment center showing my new design;

FIG. 2 is a rear, left and top perspective view thereof;

FIG. 3 is a right side elevational view thereof;

FIG. 4 is a left side elevational view thereof;

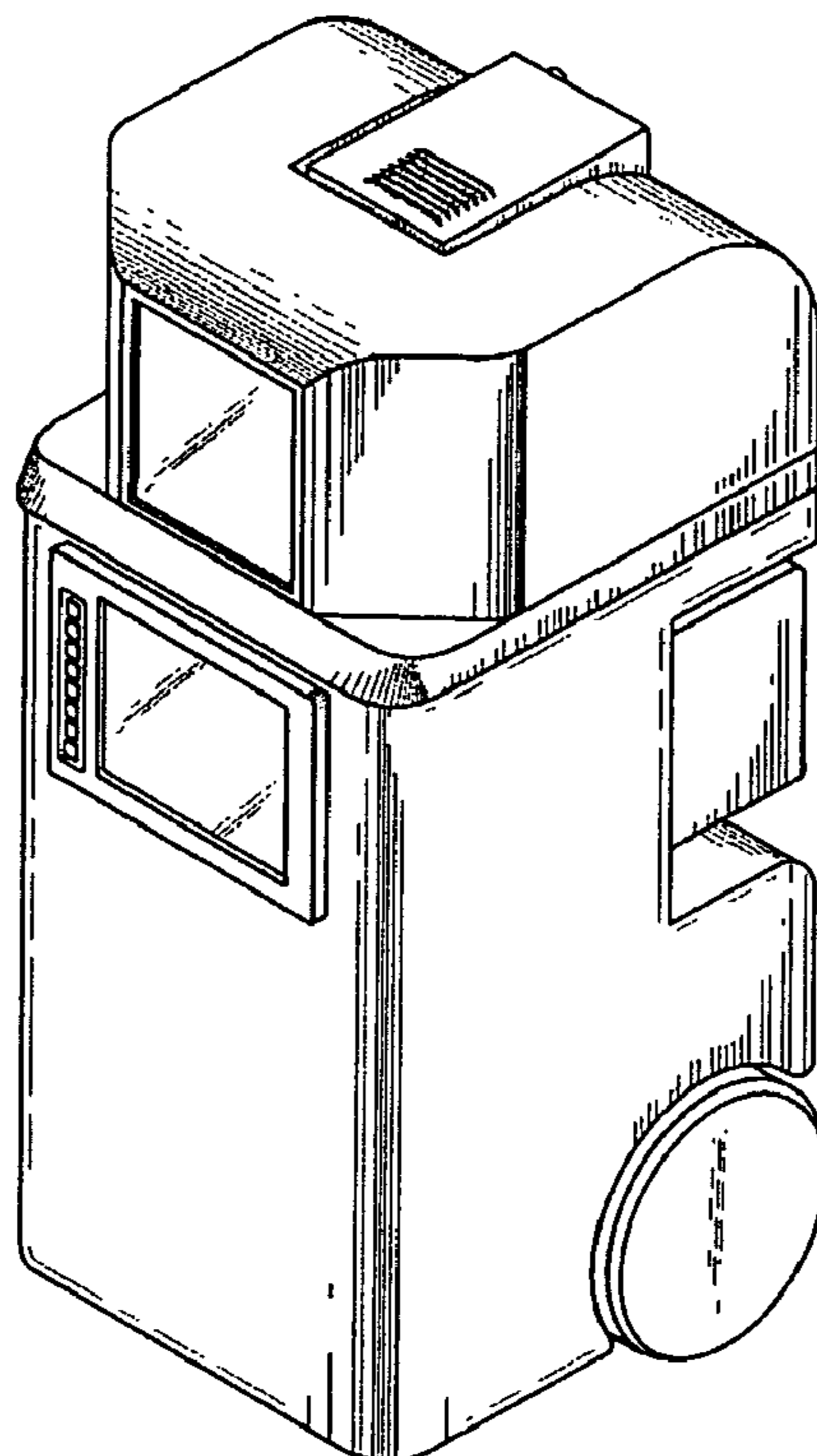
FIG. 5 is a top plan view thereof;

FIG. 6 is a bottom plan view thereof;

FIG. 7 is a front elevational view thereof; and,

FIG. 8 is a rear elevational view thereof.

1 Claim, 2 Drawing Sheets



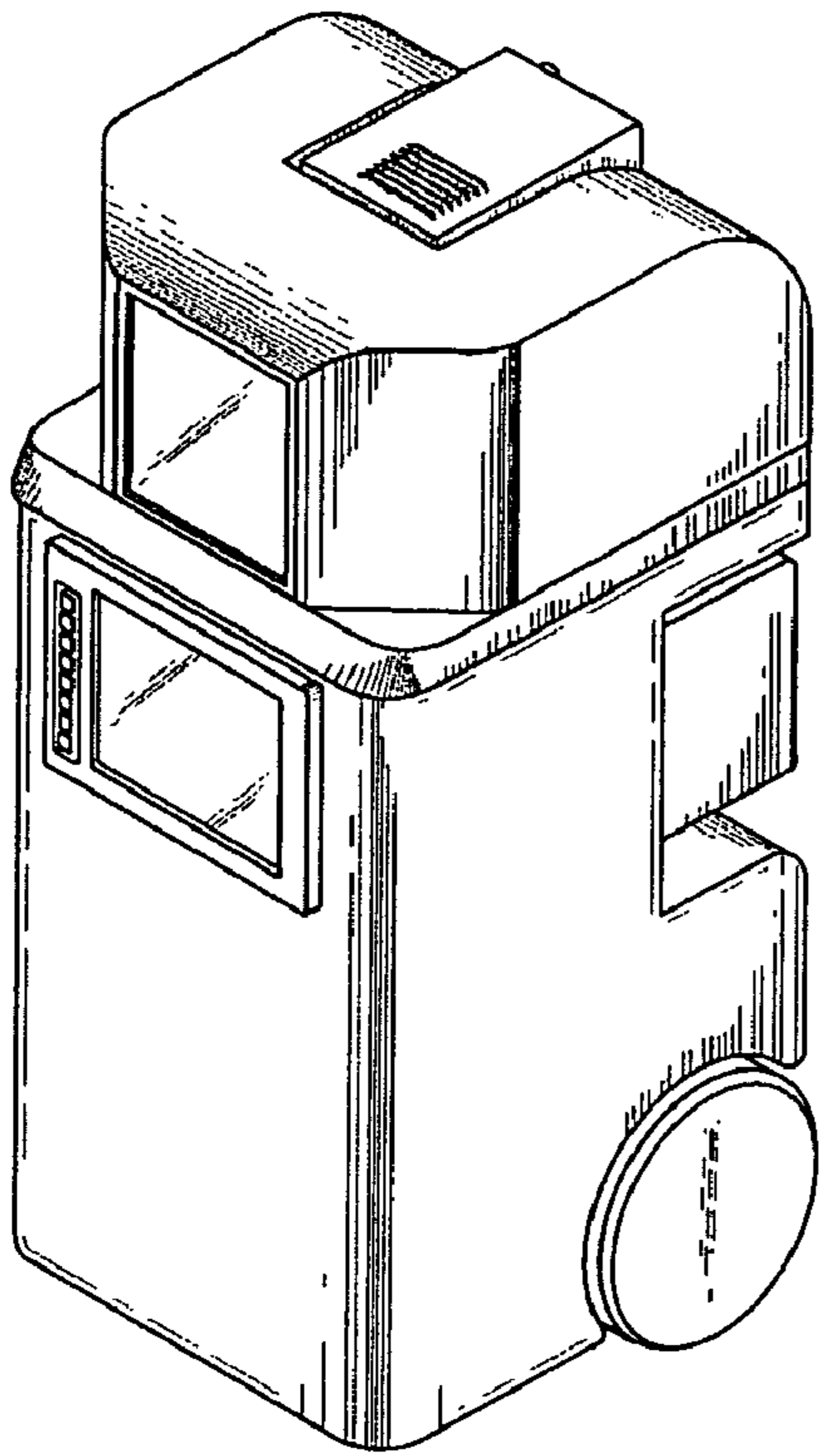


FIG. 1

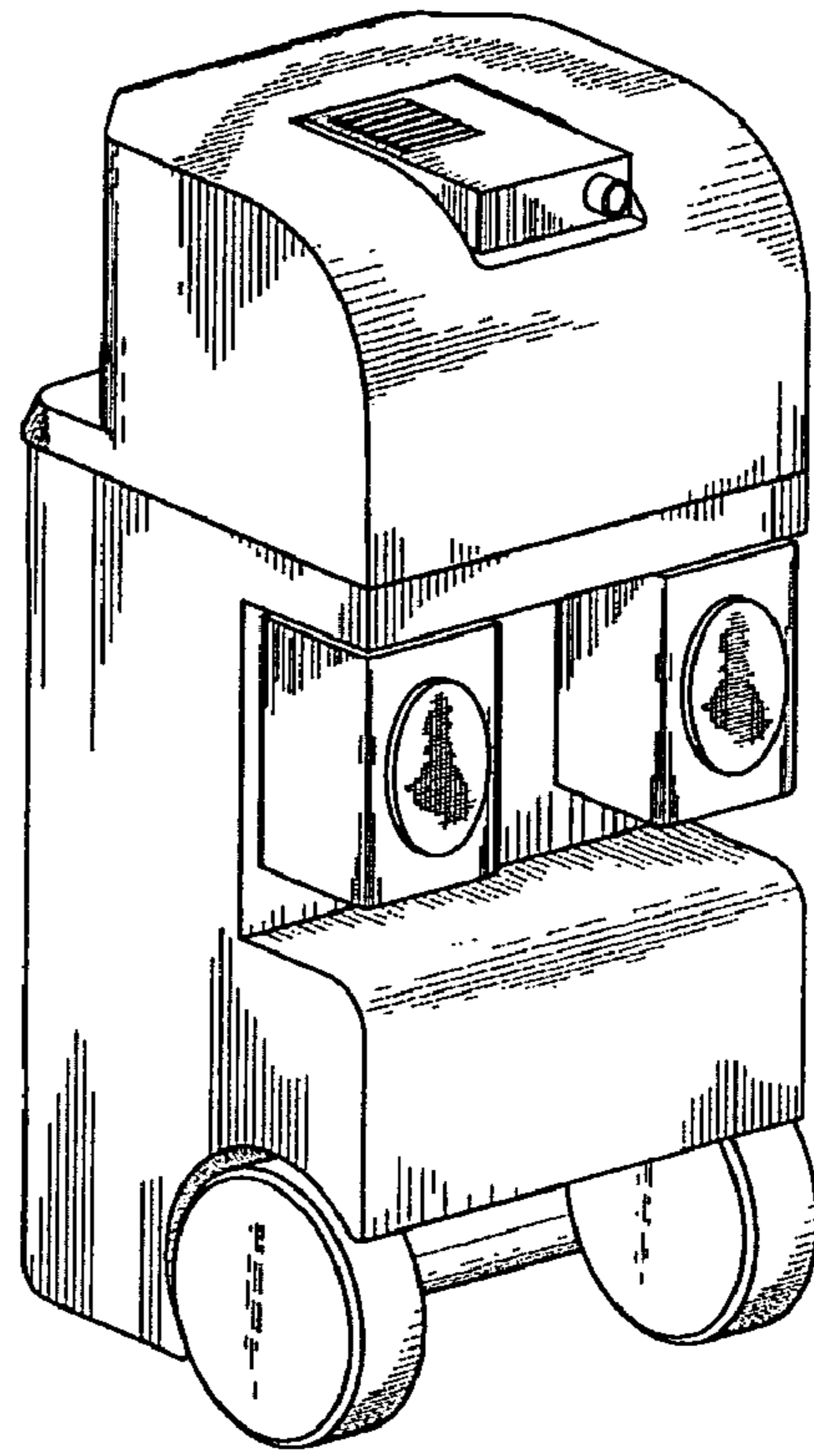


FIG. 2

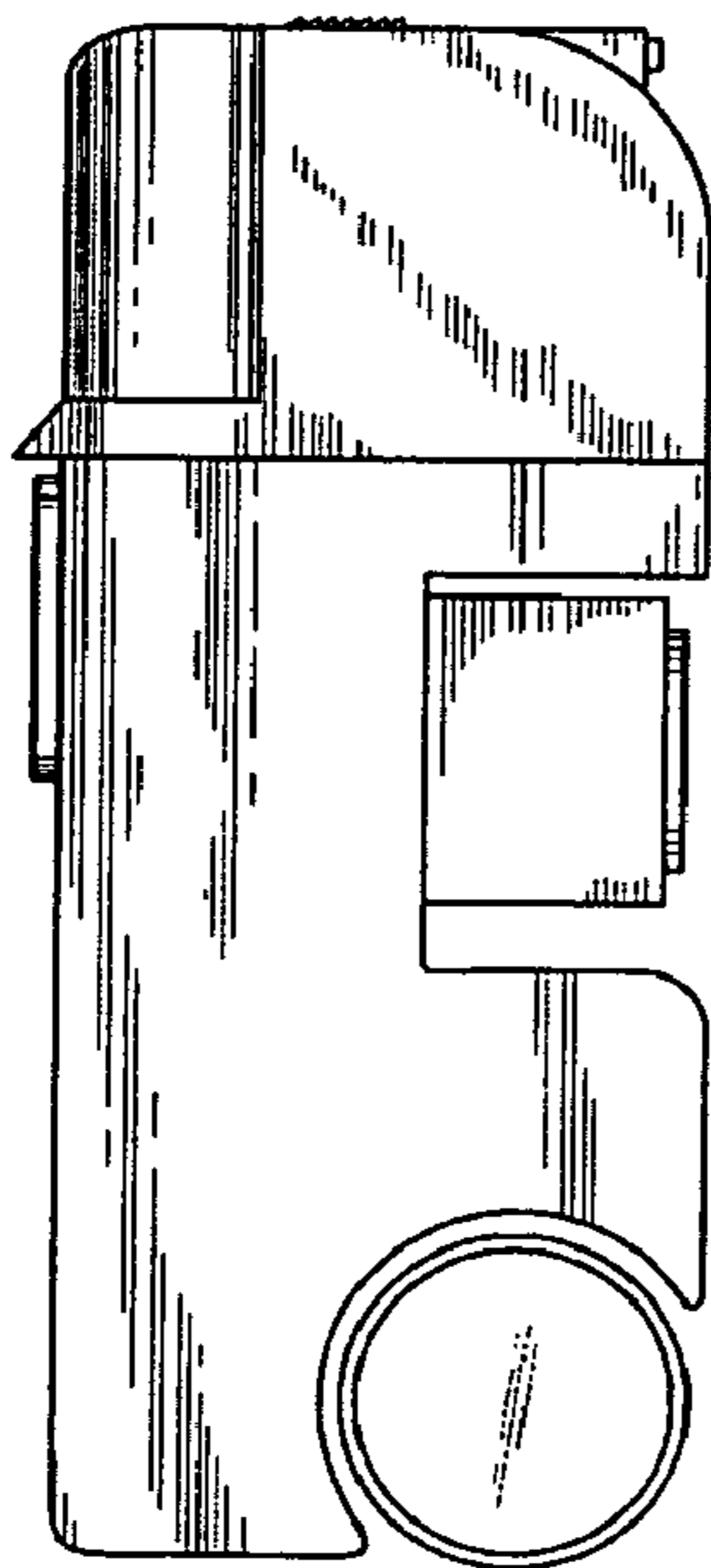


FIG. 3

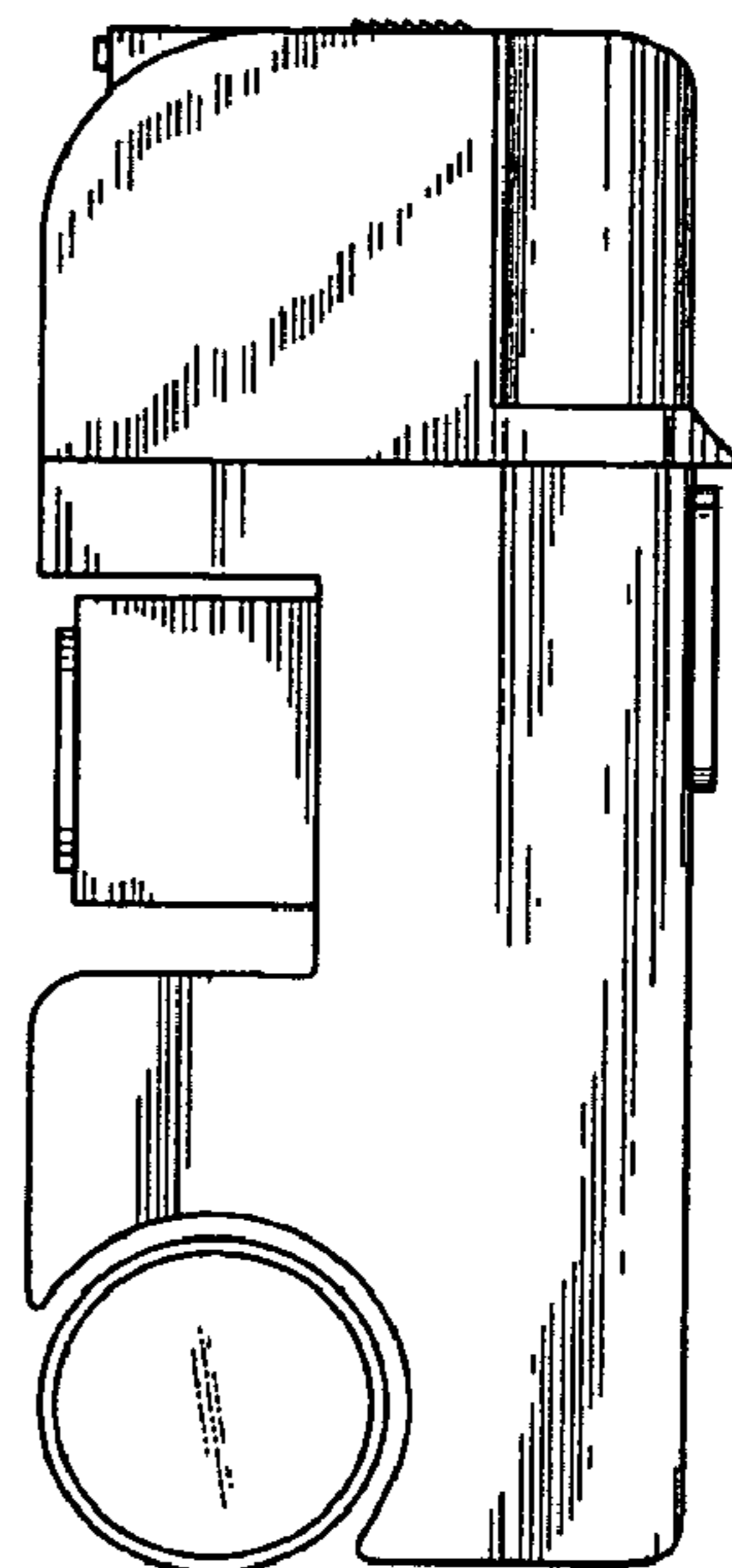


FIG. 4

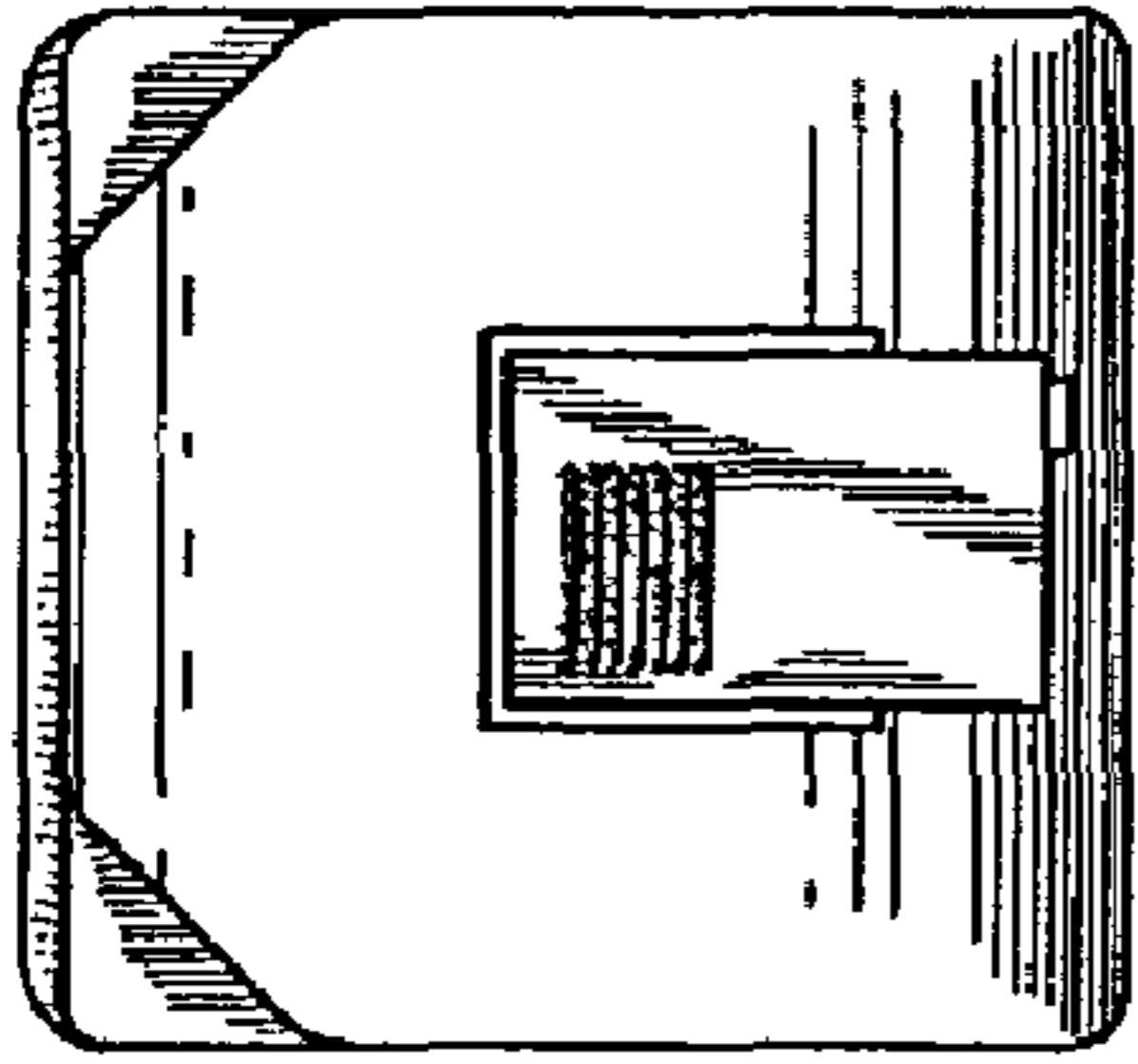


FIG. 5

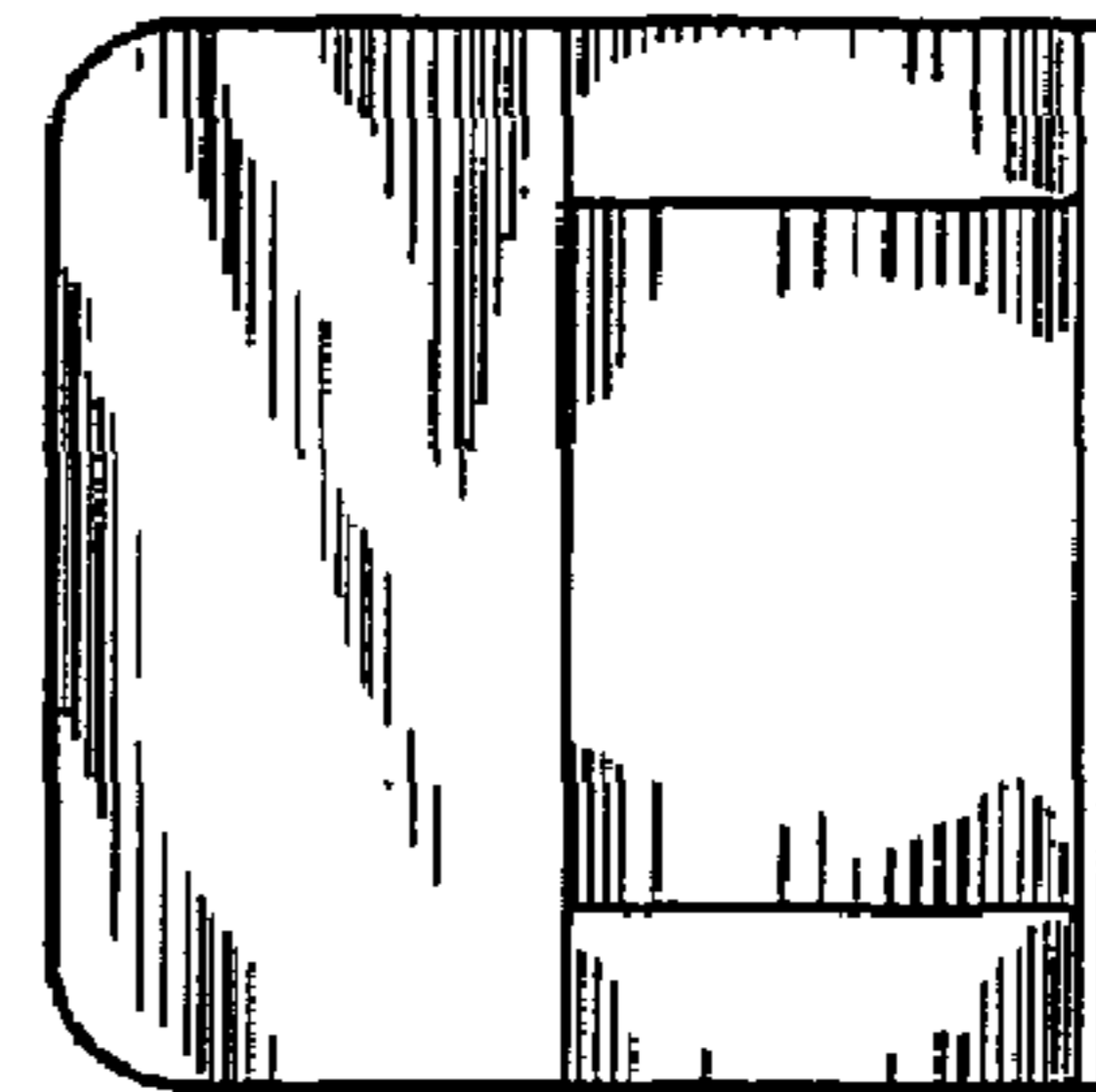


FIG. 6

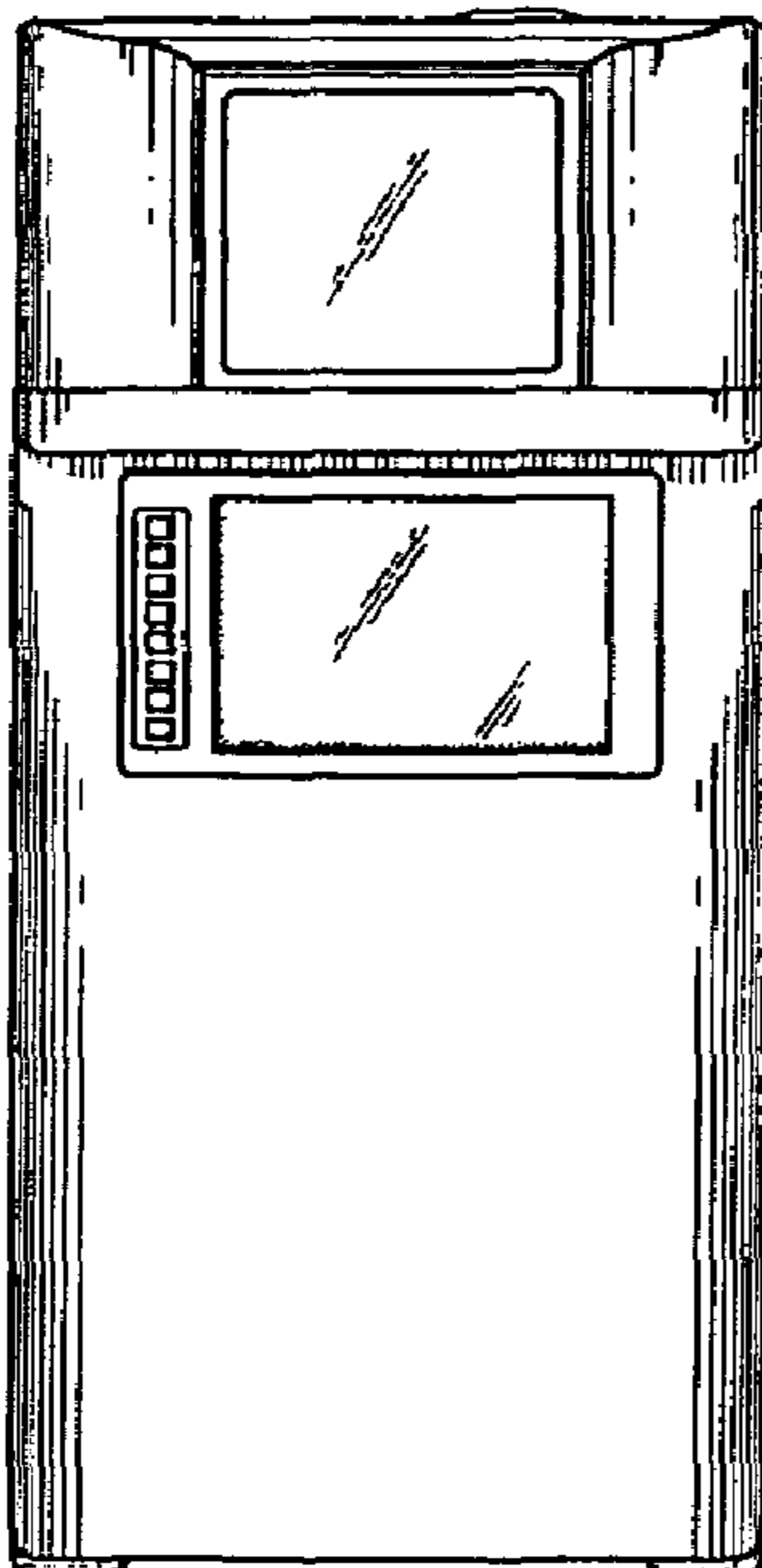


FIG. 7

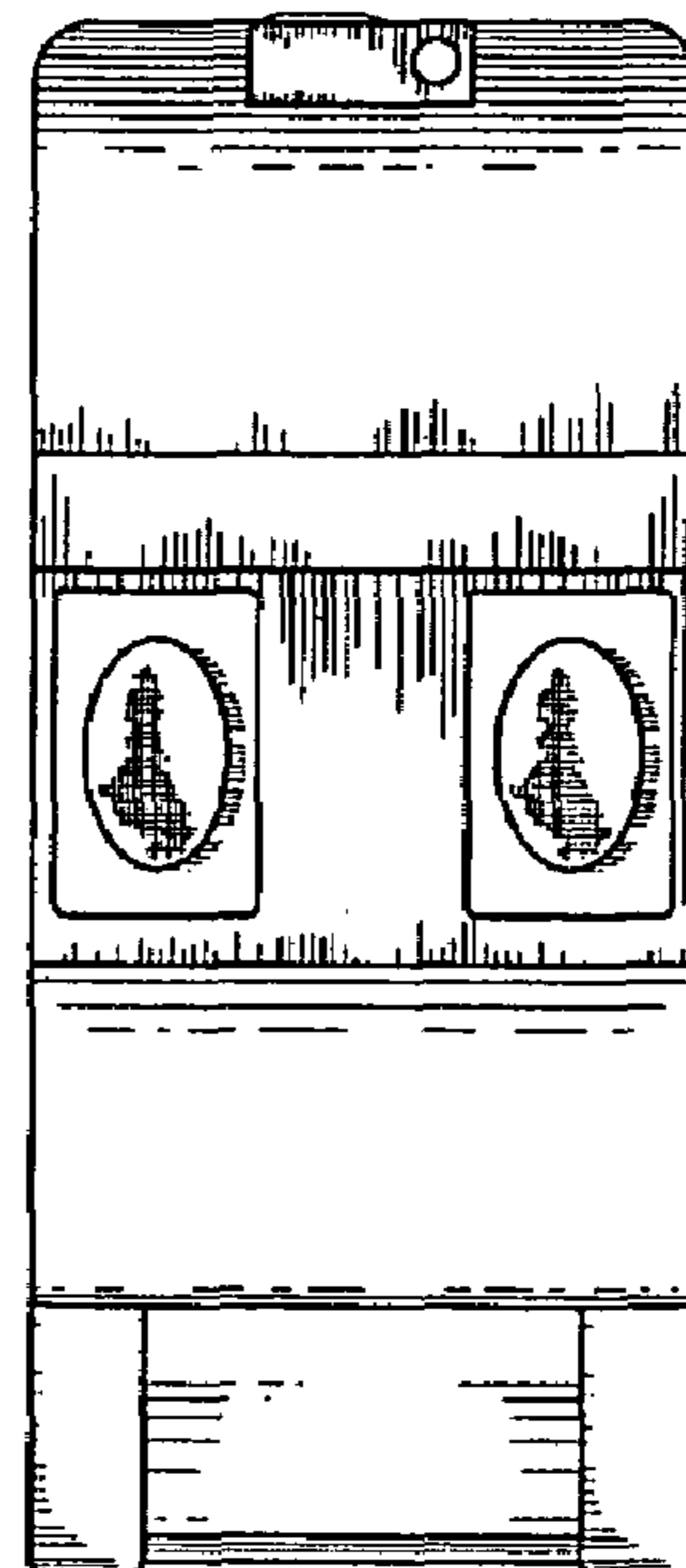


FIG. 8