



US00D560684S

(12) **United States Design Patent**
Skurdal

(10) **Patent No.:** **US D560,684 S**
(45) **Date of Patent:** **** Jan. 29, 2008**

(54) **AUDIO PLAYER APPARATUS**

(75) Inventor: **Andrew Skurdal**, Avenel, NJ (US)

(73) Assignee: **SDI Technologies, Inc.**, Rahway, NJ (US)

(**) Term: **14 Years**

(21) Appl. No.: **29/252,315**

(22) Filed: **Jan. 20, 2006**

(51) **LOC (8) Cl.** **14-03**

(52) **U.S. Cl.** **D14/496; D14/156**

(58) **Field of Classification Search** D14/496,
D14/401, 435, 474, 483, 217, 137, 138, 160,
D14/168; 345/156, 169, 173-179, 905; 715/727-729,
715/864; 455/11.1, 7, 73, 344-347, 93, 95;
370/342-344; 369/1, 2, 6, 12; 463/43-47;
273/148 B

See application file for complete search history.

(56) **References Cited**

U.S. PATENT DOCUMENTS

- 6,314,483 B1 * 11/2001 Goto et al. 710/107
- D453,752 S * 2/2002 Lee D14/192
- D463,393 S * 9/2002 Kataoka D14/167
- 6,529,714 B1 * 3/2003 Nakamura et al. 455/575.1

- D478,888 S * 8/2003 Ng D14/156
- D479,712 S * 9/2003 Ng D14/156
- D497,606 S * 10/2004 Yang D14/156
- D510,584 S * 10/2005 Tierney D14/496

* cited by examiner

Primary Examiner—Prabhakar Deshmukh

(74) *Attorney, Agent, or Firm*—Ostrolenk, Faber, Gerb & Soffen, LLP

(57) **CLAIM**

The ornamental design for a audio player apparatus, as shown and described.

DESCRIPTION

FIG. 1 is a top, front, right side perspective view of an audio player apparatus showing my new design;

FIG. 2 is a top view thereof;

FIG. 3 is a front view thereof;

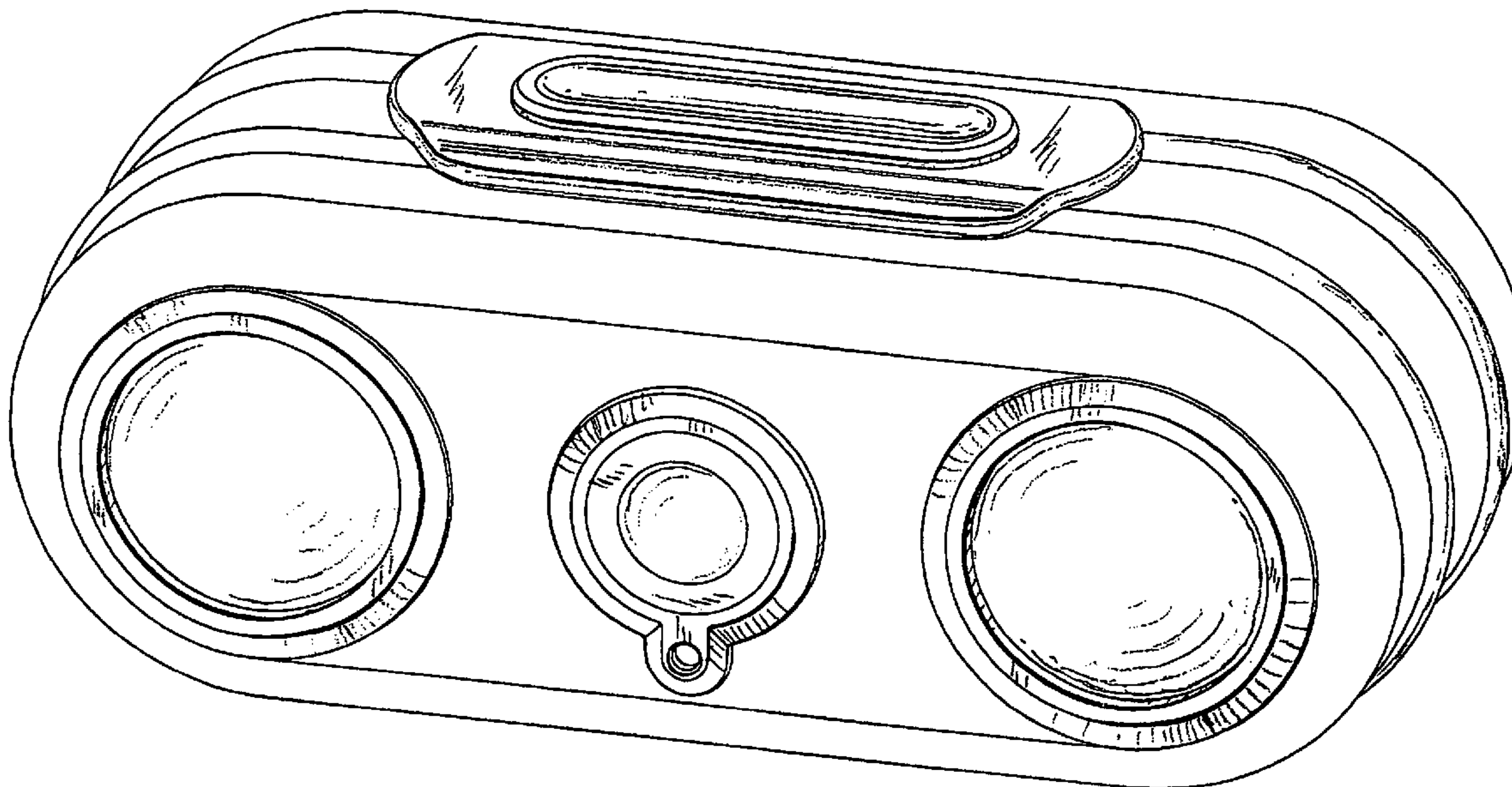
FIG. 4 is a left side view thereof, the right side view being a mirror image;

FIG. 5 is a bottom view thereof;

FIG. 6 is a rear view thereof; and,

FIG. 7 is a top, left side, rear perspective view thereof.

1 Claim, 7 Drawing Sheets



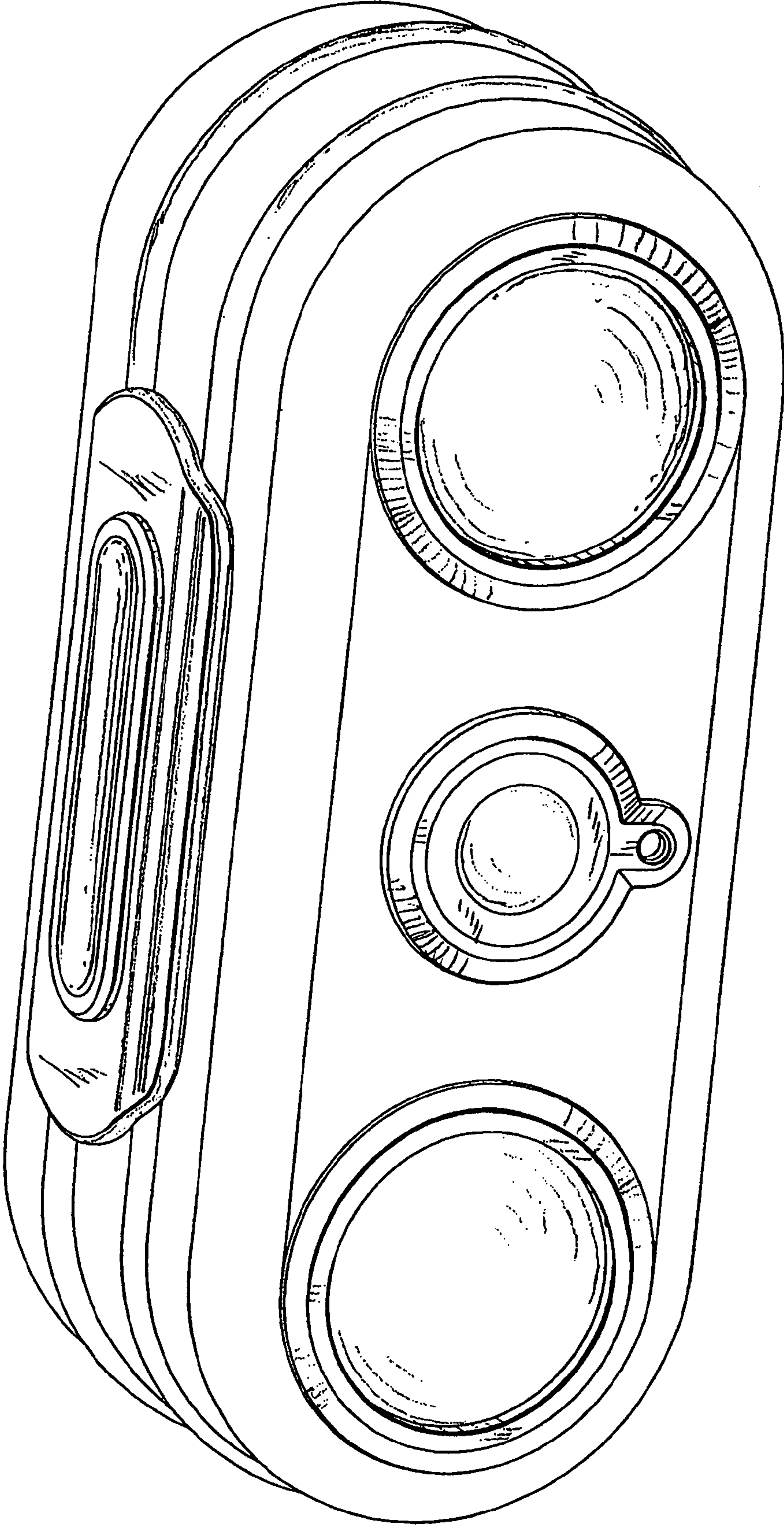


FIG.1

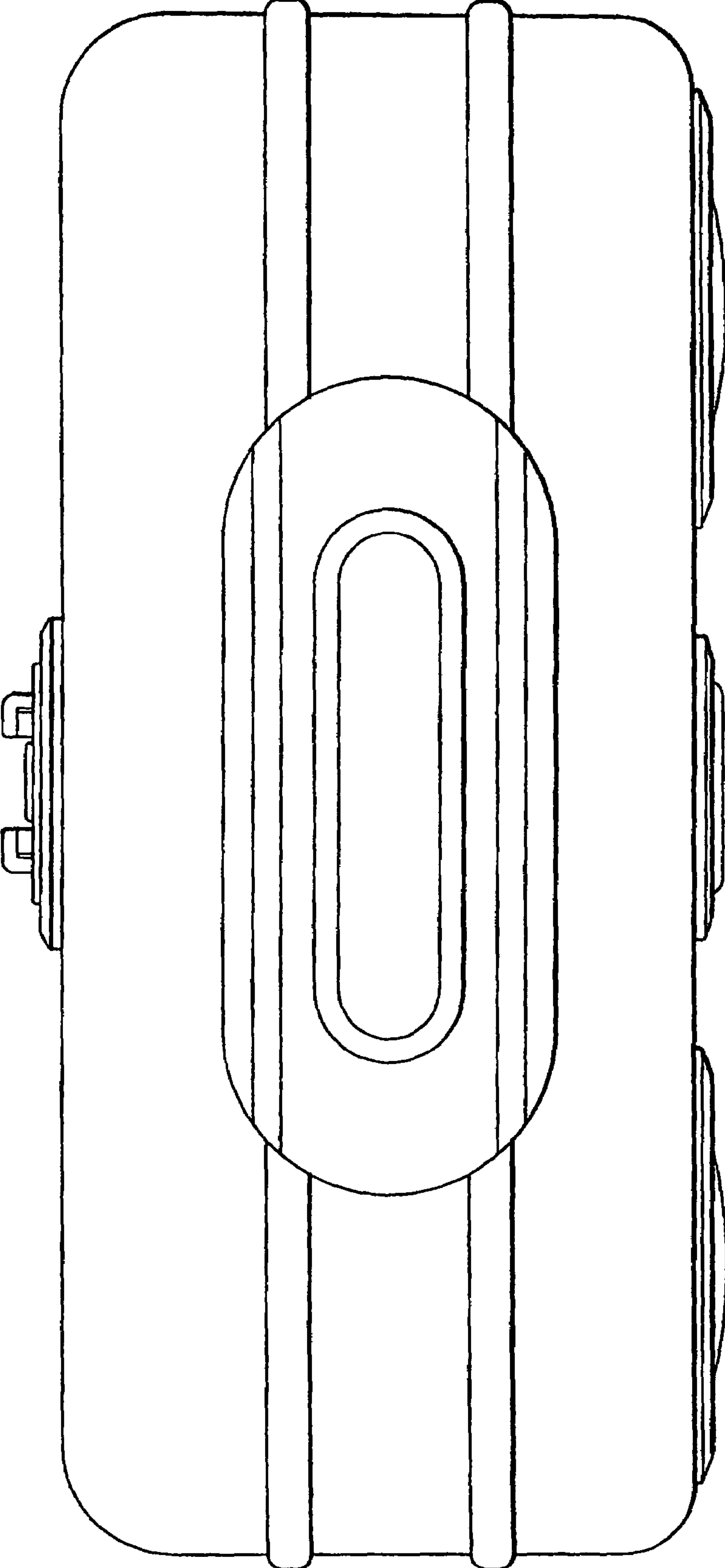


FIG.2

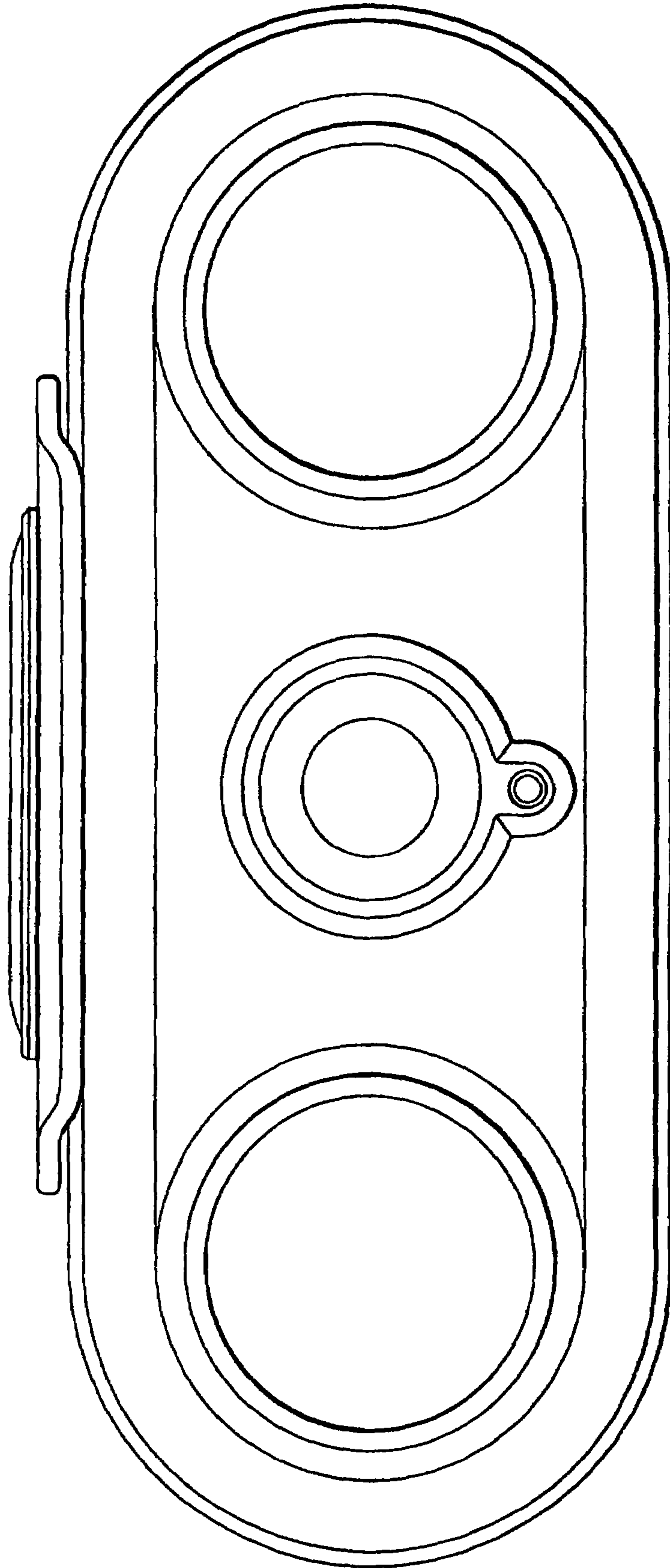


FIG. 3

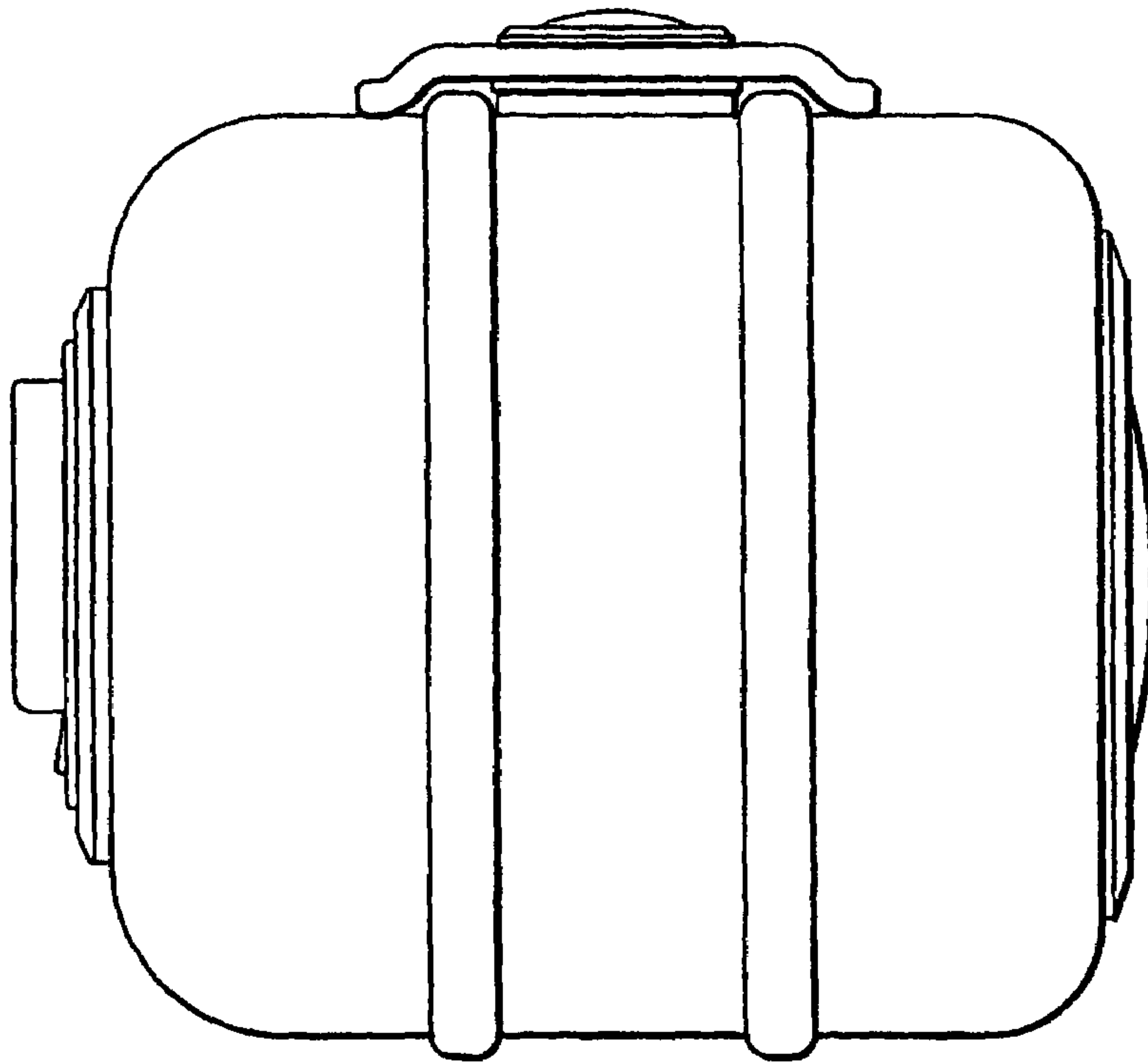


FIG.4

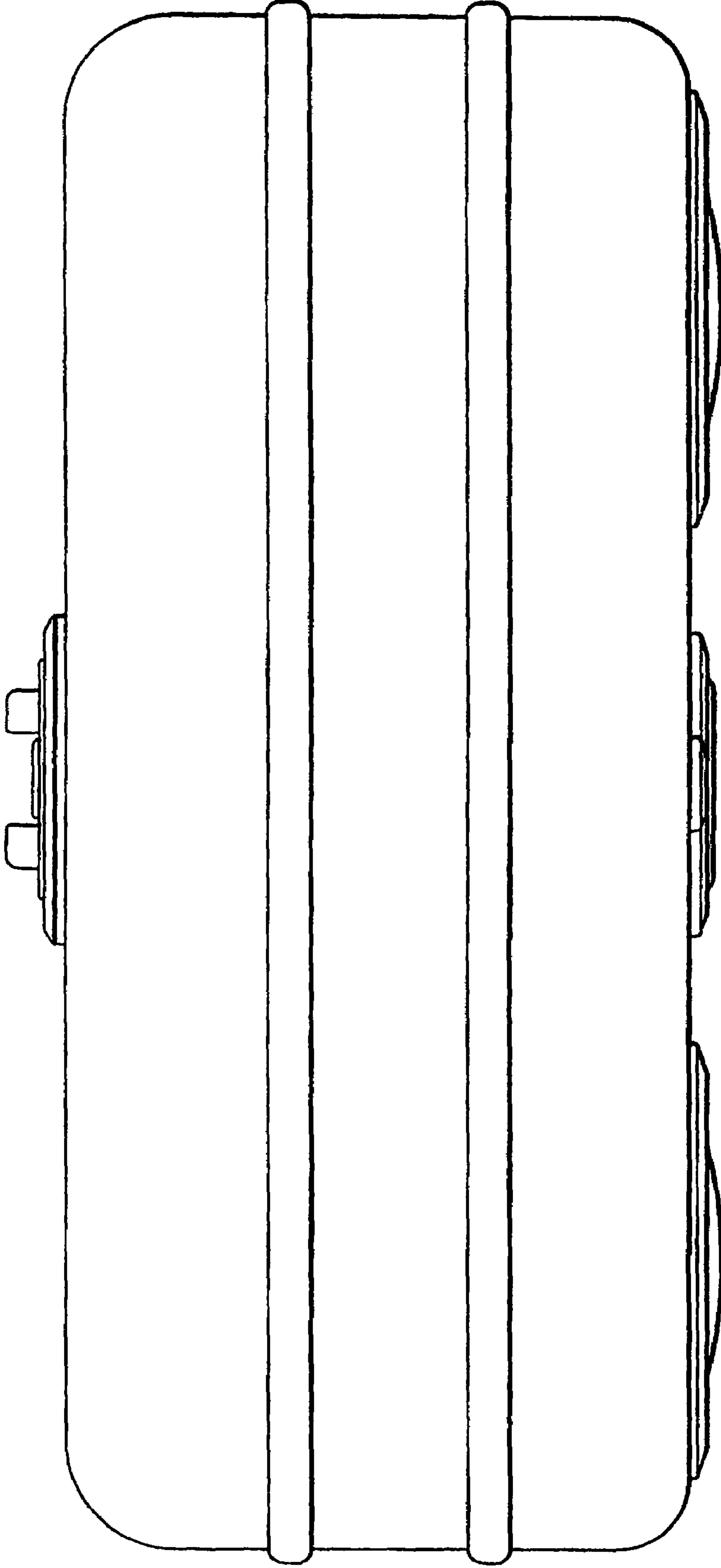


FIG.5

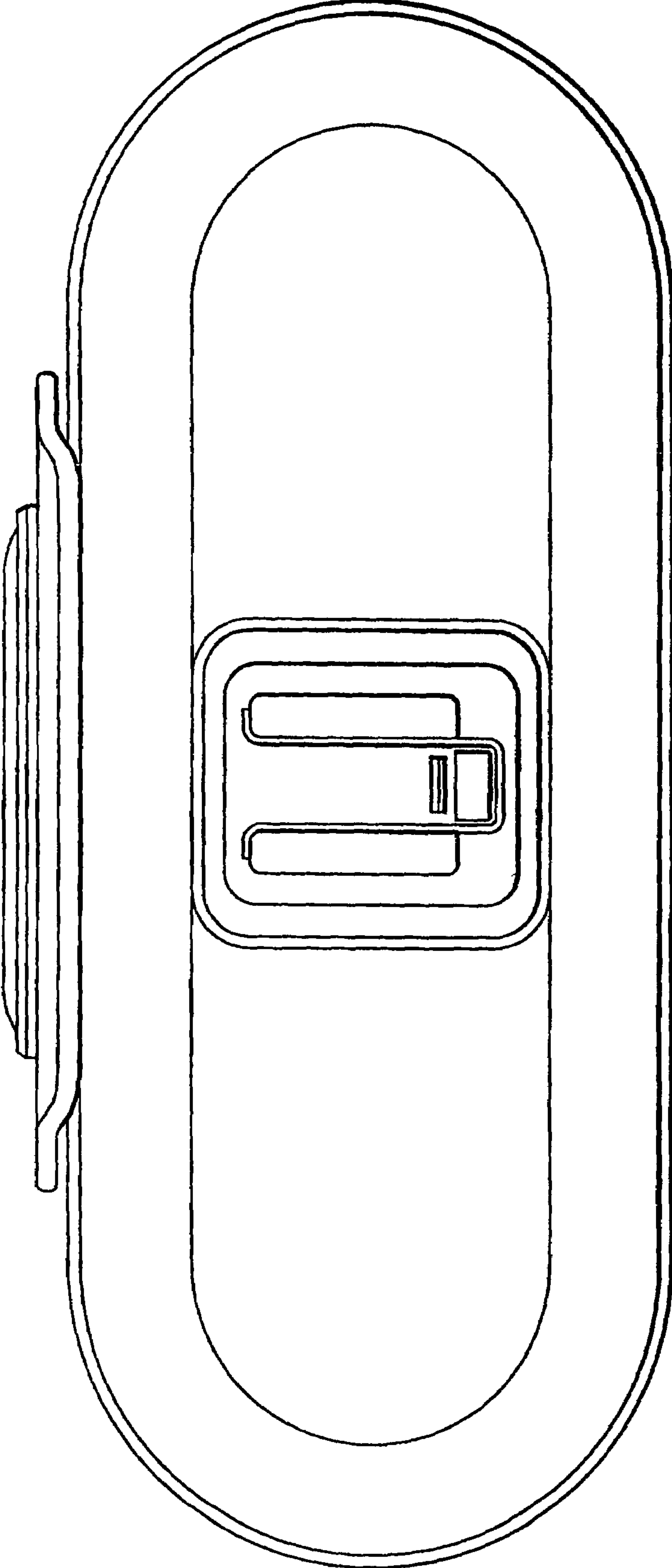


FIG. 6

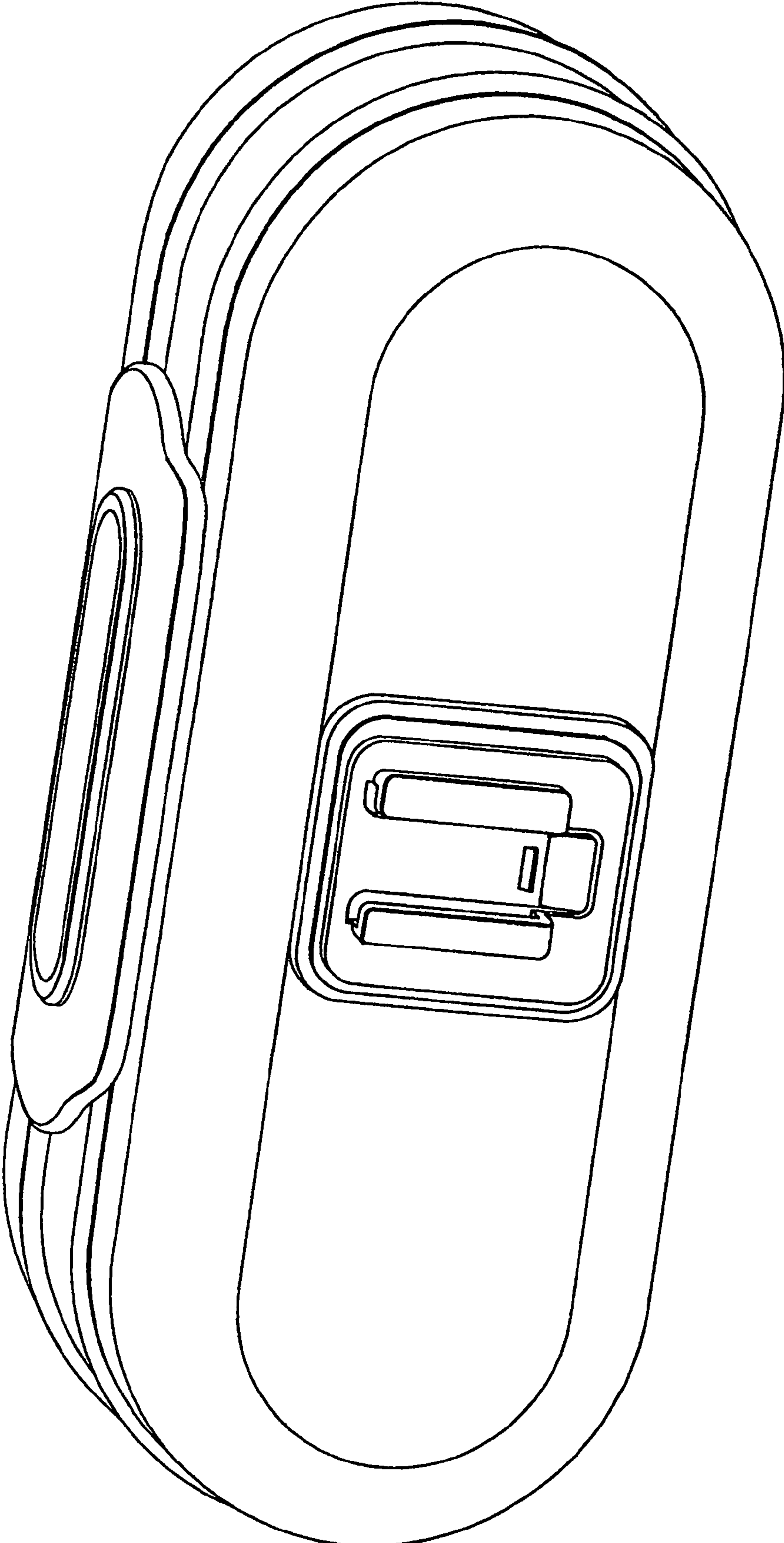


FIG. 7