

US00D560683S

(12) **United States Design Patent** (10) **Patent No.:** **US D560,683 S**  
**Lee** (45) **Date of Patent:** **\*\* Jan. 29, 2008**

(54) **PORTABLE MEDIA PLAYER**  
(75) Inventor: **Johann Lee**, Whitestone, NY (US)  
(73) Assignee: **Coby Electronics Corporation**,  
Maspeth, NY (US)  
(\*\*) Term: **14 Years**  
(21) Appl. No.: **29/250,438**  
(22) Filed: **Nov. 14, 2006**

D525,989 S 8/2006 Choe  
D526,331 S \* 8/2006 Lee ..... D14/496  
D532,018 S \* 11/2006 Lee ..... D14/496  
D544,882 S 6/2007 Kurihara

\* cited by examiner

*Primary Examiner*—Prabhakar Deshmukh  
(74) *Attorney, Agent, or Firm*—Mayer Brown LLP

(51) **LOC (8) Cl.** ..... **14-03**  
(52) **U.S. Cl.** ..... **D14/496**  
(58) **Field of Classification Search** ..... D14/496,  
D14/137, 138, 155, 156, 160, 168, 173, 188,  
D14/265; 455/3.01, 3.06, 90.1–90.3, 347–351;  
369/6–12, 75.11; 345/156, 1.1, 903, 905;  
340/539.11, 825.25; 710/1, 8, 62–68, 72–74  
See application file for complete search history.

(57) **CLAIM**

The ornamental design for a portable media player, as shown and described.

(56) **References Cited**

**DESCRIPTION**

**U.S. PATENT DOCUMENTS**

A portion of this patent document contains material which is subject to copyright protection. The copyright owner has no objection to the facsimile reproduction by anyone of the patent document or the patent disclosure, as it appears in the Patent and Trademark Office patent files or records, but otherwise reserves all copyrights whatsoever.

D472,373 S 4/2003 Hillman  
6,639,577 B2 \* 10/2003 Eberhard ..... 345/102  
D489,731 S 5/2004 Huang  
D494,188 S 8/2004 Huang  
6,769,603 B2 8/2004 Nagai et al.  
6,769,803 B1 \* 8/2004 Feichtinger et al. .... 374/1  
D504,442 S 4/2005 Kim  
D507,277 S \* 7/2005 Sitoh ..... D14/496  
6,920,344 B2 \* 7/2005 Jang ..... 455/575.5  
D511,347 S \* 11/2005 Naruki ..... D14/496  
D513,512 S \* 1/2006 Tsai ..... D14/496  
D518,022 S \* 3/2006 Ishizaki ..... D14/168  
D521,527 S \* 5/2006 Lee ..... D14/496  
D522,019 S \* 5/2006 Peng ..... D14/496  
7,046,230 B2 \* 5/2006 Zadesky et al. .... 345/156

FIG. 1 is a perspective view of a portable media player showing my new design;

FIG. 2 is a front view thereof;

FIG. 3 is a rear view thereof;

FIG. 4 is a left side view thereof;

FIG. 5 is a right side view thereof;

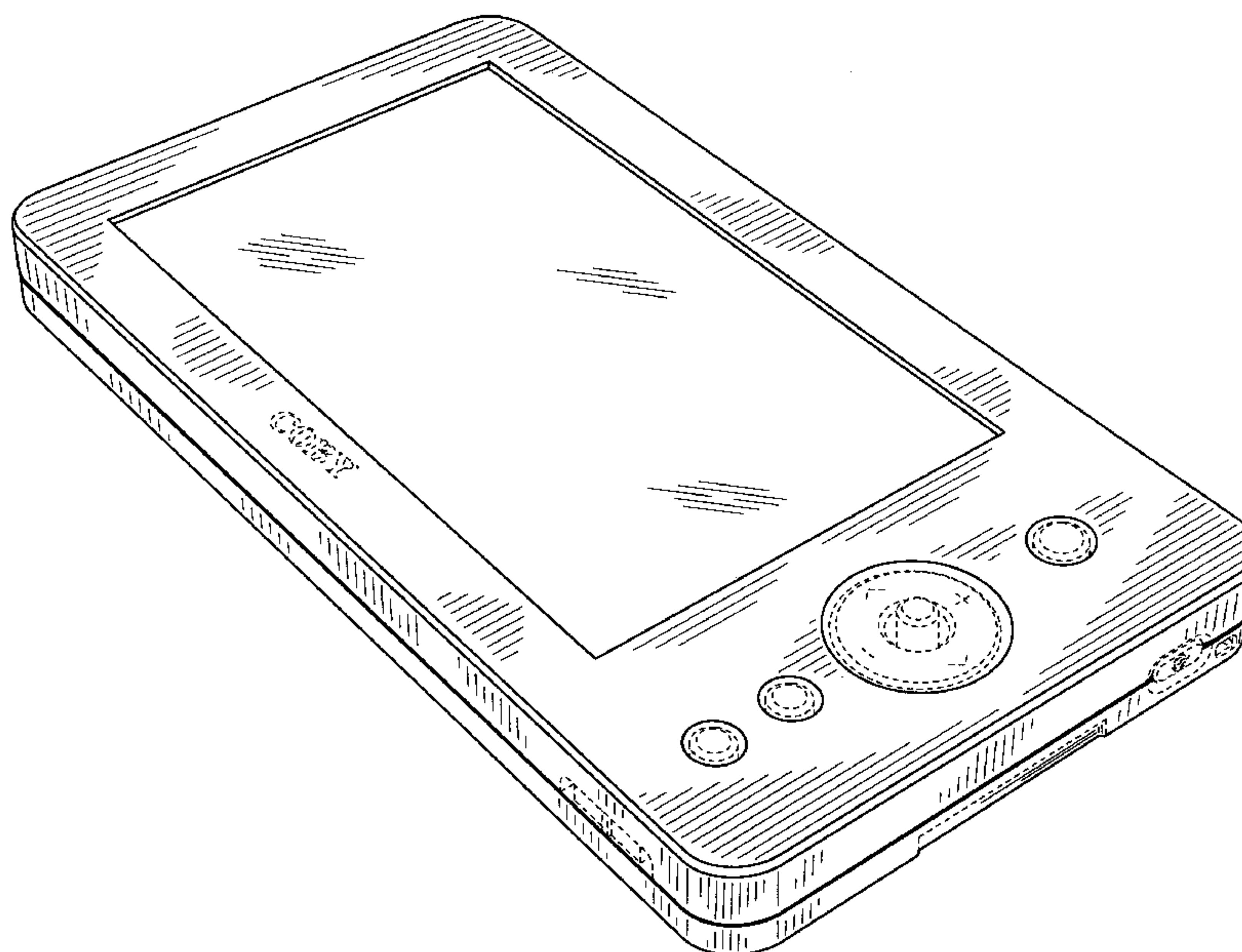
FIG. 6 is top view thereof;

FIG. 7 is a bottom view thereof; and,

FIG. 8 is a perspective view thereof.

The broken lines, which define the bounds of the claimed design form no part thereof.

**1 Claim, 5 Drawing Sheets**



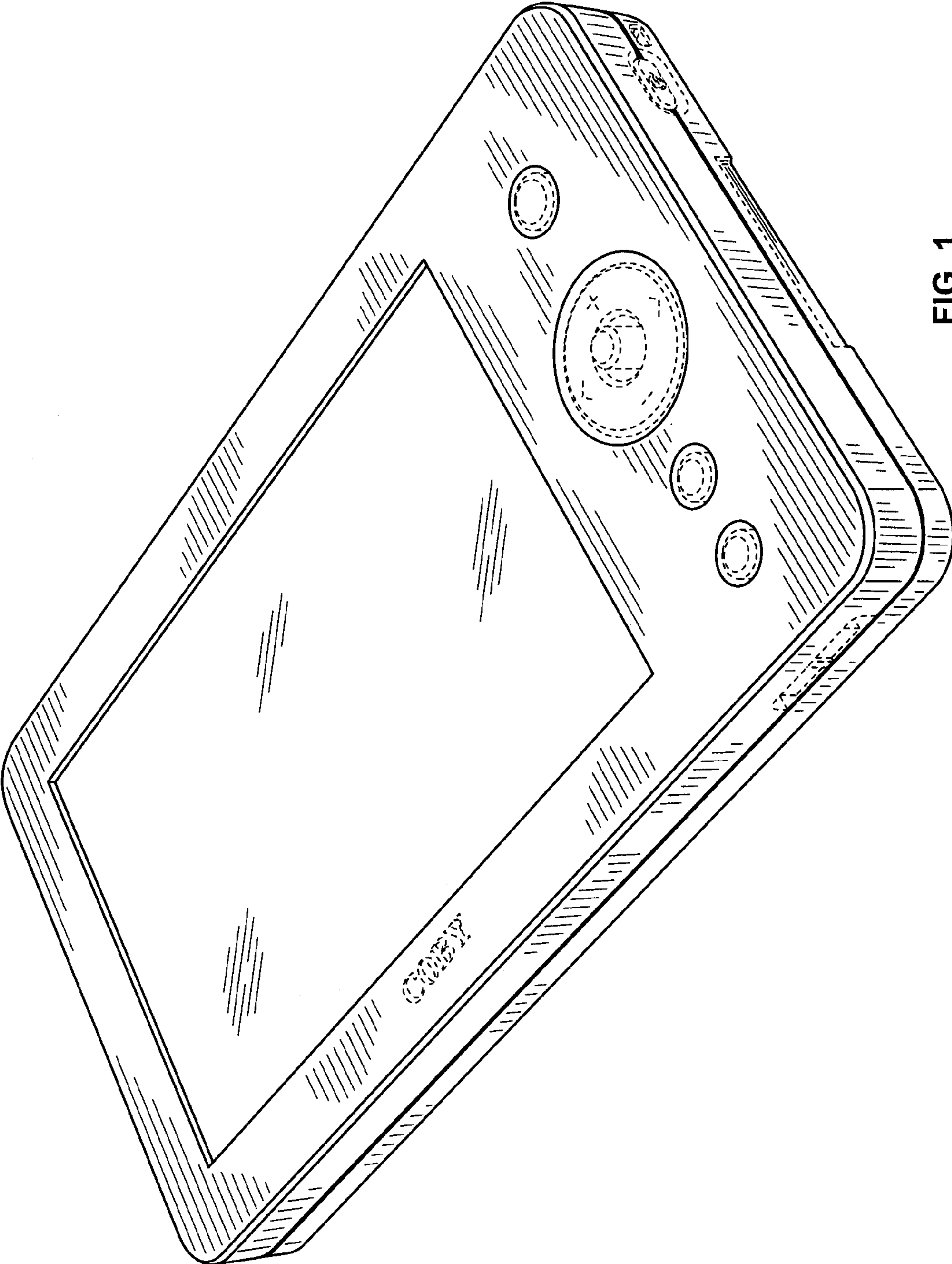


FIG. 1

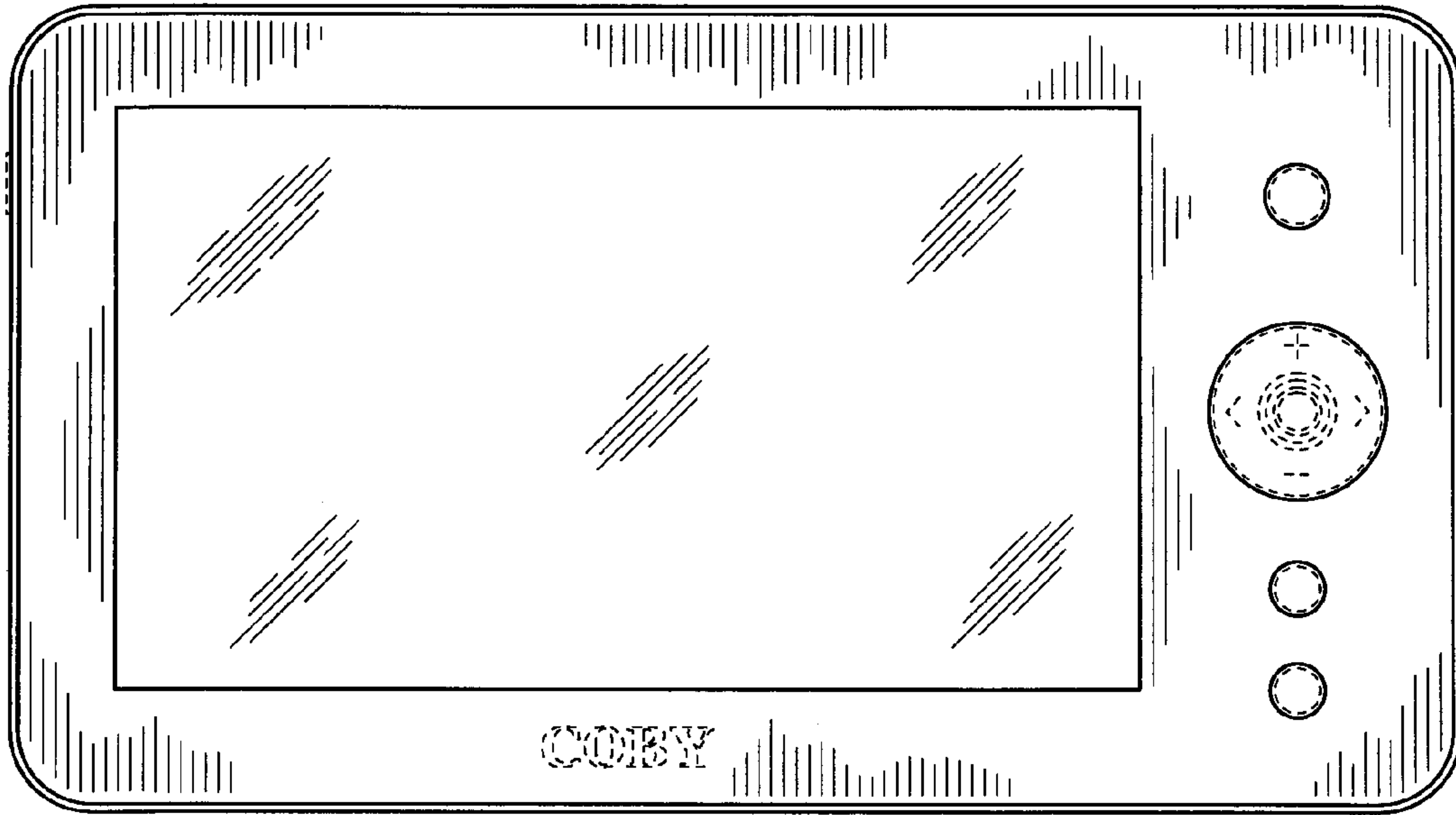


FIG. 2

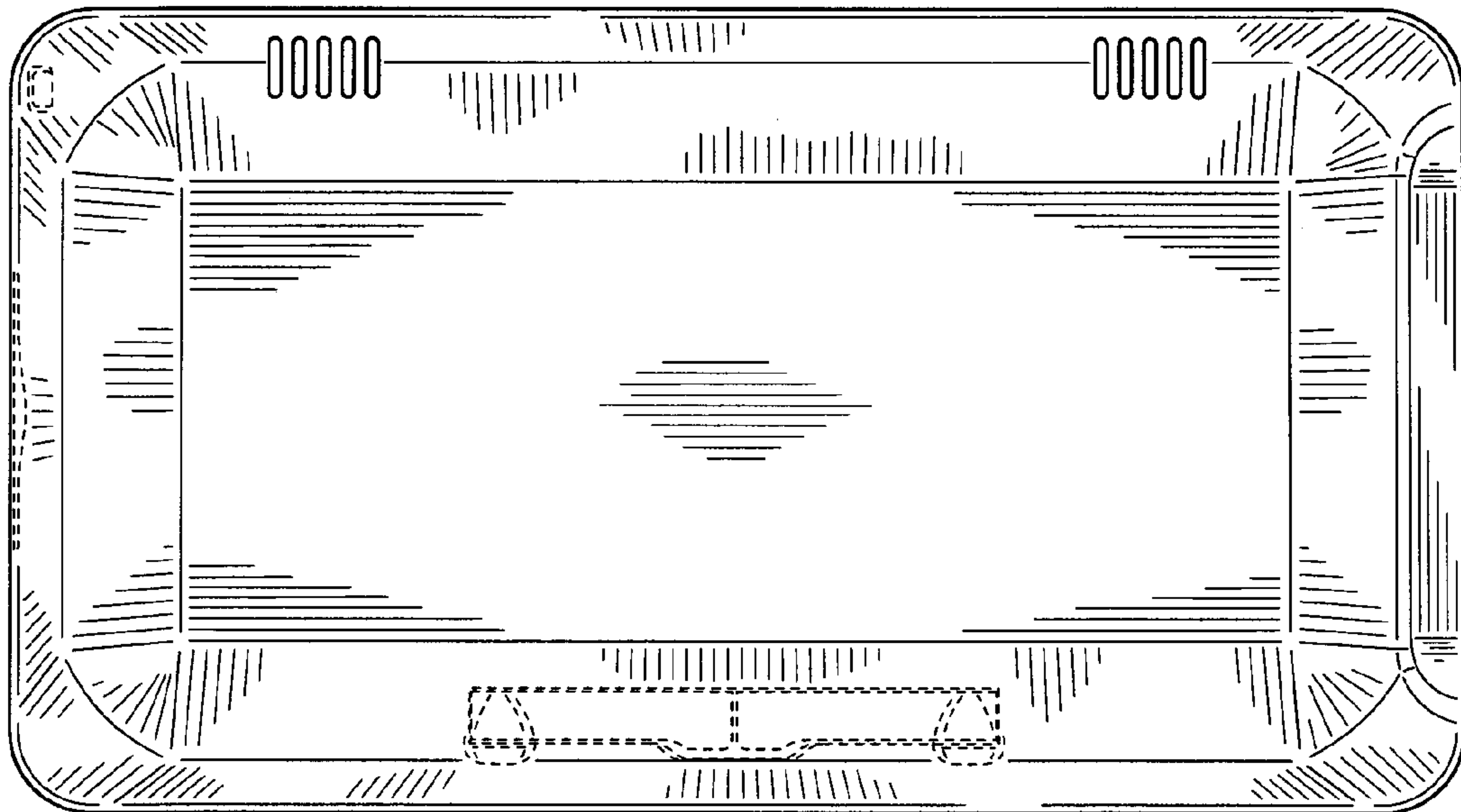


FIG. 3

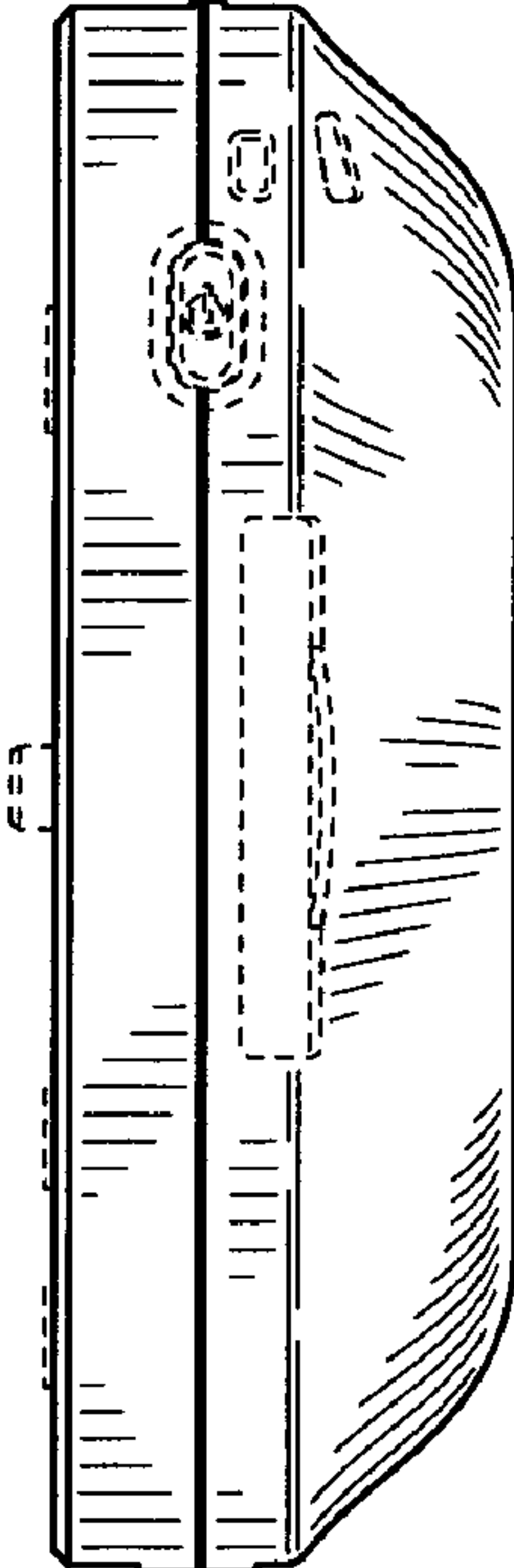


FIG. 4

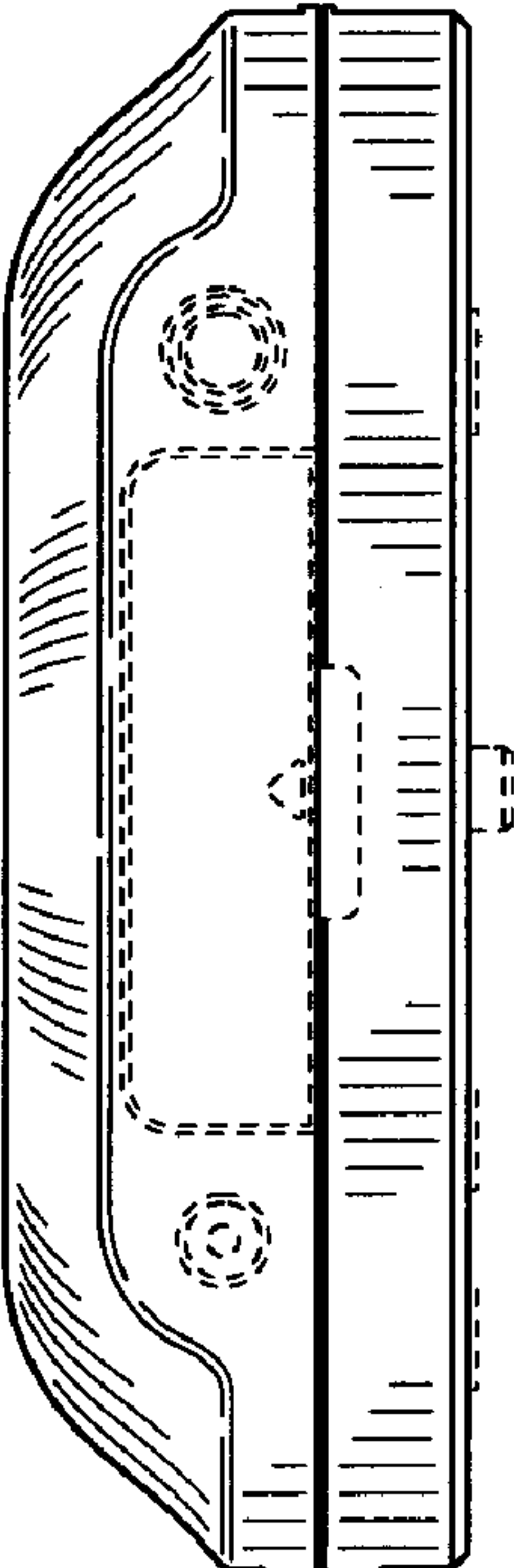


FIG. 5



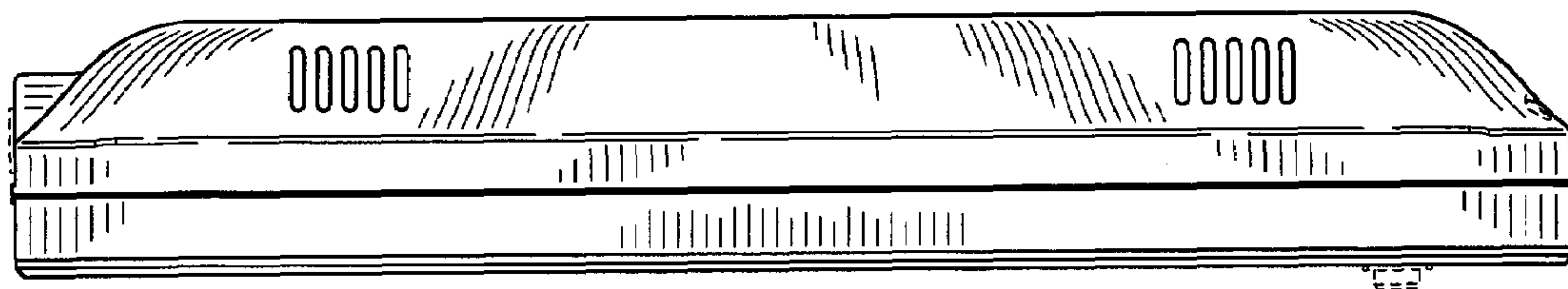


FIG. 6

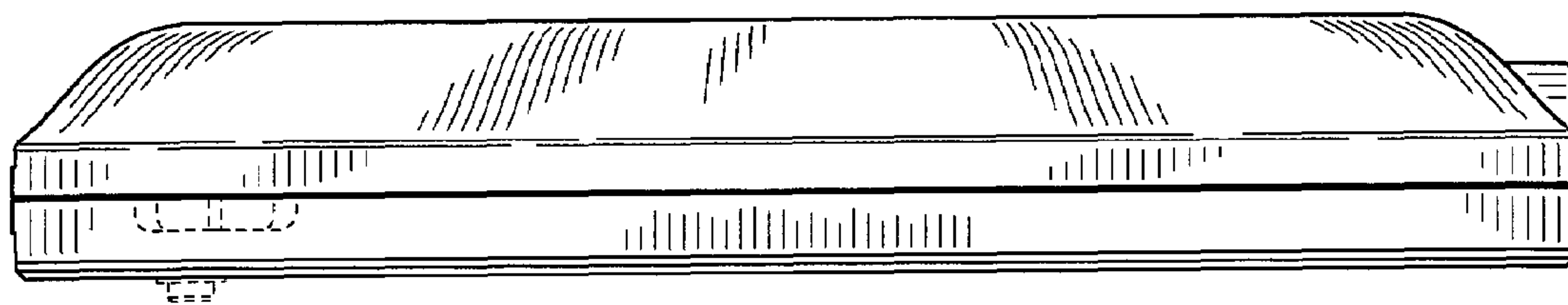


FIG. 7

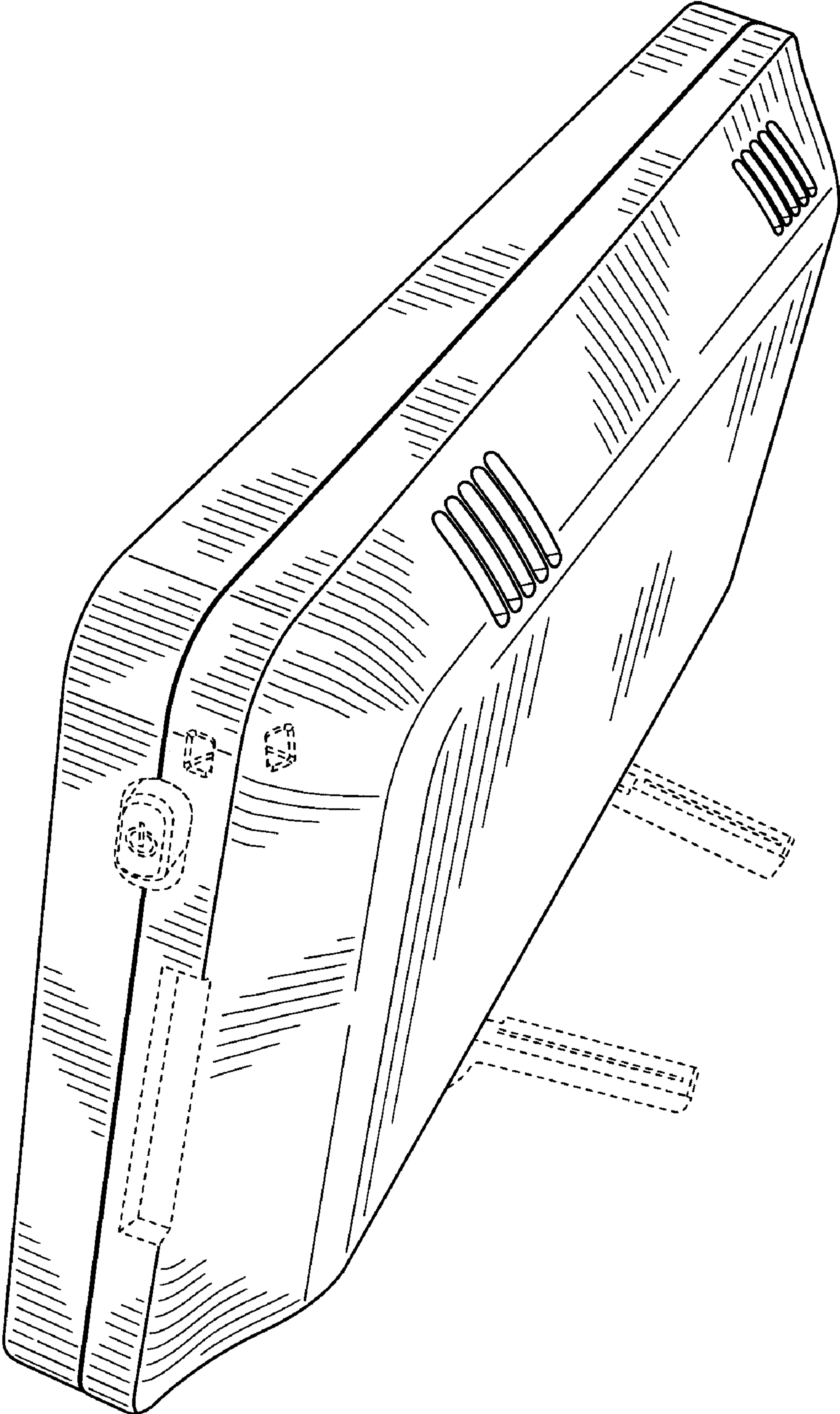


FIG. 8