



US00D560671S

(12) **United States Design Patent**  
**Muday et al.**

(10) **Patent No.:** **US D560,671 S**  
(45) **Date of Patent:** **\*\* Jan. 29, 2008**

(54) **LARGE LOW-PROFILE TILTABLE MOUNT FOR FLAT PANEL DISPLAYS**

(75) Inventors: **Tom Muday**, Scottsdale, AZ (US);  
**Brett Stenhouse**, Phoenix, AZ (US);  
**Zachary Eyman**, Phoenix, AZ (US)

(73) Assignee: **Omnimount Systems, Inc.**, Phoenix, AZ (US)

(\*\*) Term: **14 Years**

(21) Appl. No.: **29/265,555**

(22) Filed: **Aug. 31, 2006**

(51) **LOC (8) Cl.** ..... **14-03**

(52) **U.S. Cl.** ..... **D14/451**

(58) **Field of Classification Search** ..... D14/129,  
D14/209, 217, 224, 237, 238, 239, 432, 439,  
D14/447, 448, 451, 452; D6/449, 513; D8/349,  
D8/354, 355, 363, 373, 380, 387, 388, 389;  
D16/235, 242; 248/176.1, 201, 205.1, 220.21,  
248/223.31, 231.9, 274.1, 276.1, 281.11,  
248/284.1, 286.1, 309.1, 323, 324, 349.1,  
248/371, 398, 425, 638, 917, 918, 919, 920,  
248/921, 922, 923, 924; 348/825, 827, 836  
See application file for complete search history.

(56) **References Cited**

**U.S. PATENT DOCUMENTS**

D517,085 S \* 3/2006 Deuschle ..... D14/451  
D530,595 S \* 10/2006 Lam et al. .... D8/373  
7,175,146 B2 \* 2/2007 Kim ..... 248/279.1  
D538,140 S \* 3/2007 Ly Hau et al. .... D8/373  
D538,141 S \* 3/2007 Stenhouse et al. .... D8/373  
D538,632 S \* 3/2007 Ly Hau et al. .... D8/363  
D539,126 S \* 3/2007 Stenhouse et al. .... D8/373

D539,636 S \* 4/2007 Bremmon ..... D8/363  
D539,637 S \* 4/2007 Ly Hau et al. .... D8/373  
D540,154 S \* 4/2007 Bremmon ..... D8/363  
2005/0152102 A1 \* 7/2005 Shin ..... 361/681  
2006/0291152 A1 \* 12/2006 Bremmon ..... 361/681

**OTHER PUBLICATIONS**

LCD Accessories, Apr. 26, 2005, [http://web.archive.org/web/20050426105125/http://www.goelectronic.com/Merchant2/merchant.mvc?Screen=CTGY&Category\\_Code=LCD+ACCESSORIES.\\*](http://web.archive.org/web/20050426105125/http://www.goelectronic.com/Merchant2/merchant.mvc?Screen=CTGY&Category_Code=LCD+ACCESSORIES.*)

\* cited by examiner

*Primary Examiner*—Cathron Brooks

*Assistant Examiner*—Angela J Lee

(74) *Attorney, Agent, or Firm*—Hogan & Hartson LLP

(57) **CLAIM**

The ornamental design for a large low-profile tiltable mount for flat panel displays, as shown and described.

**DESCRIPTION**

FIG. 1 is a top, right isometric view of a large low-profile tiltable mount for flat panel displays showing our design in a vertical configuration.

FIG. 2 is a front elevational view thereof.

FIG. 3 is a rear elevational view thereof.

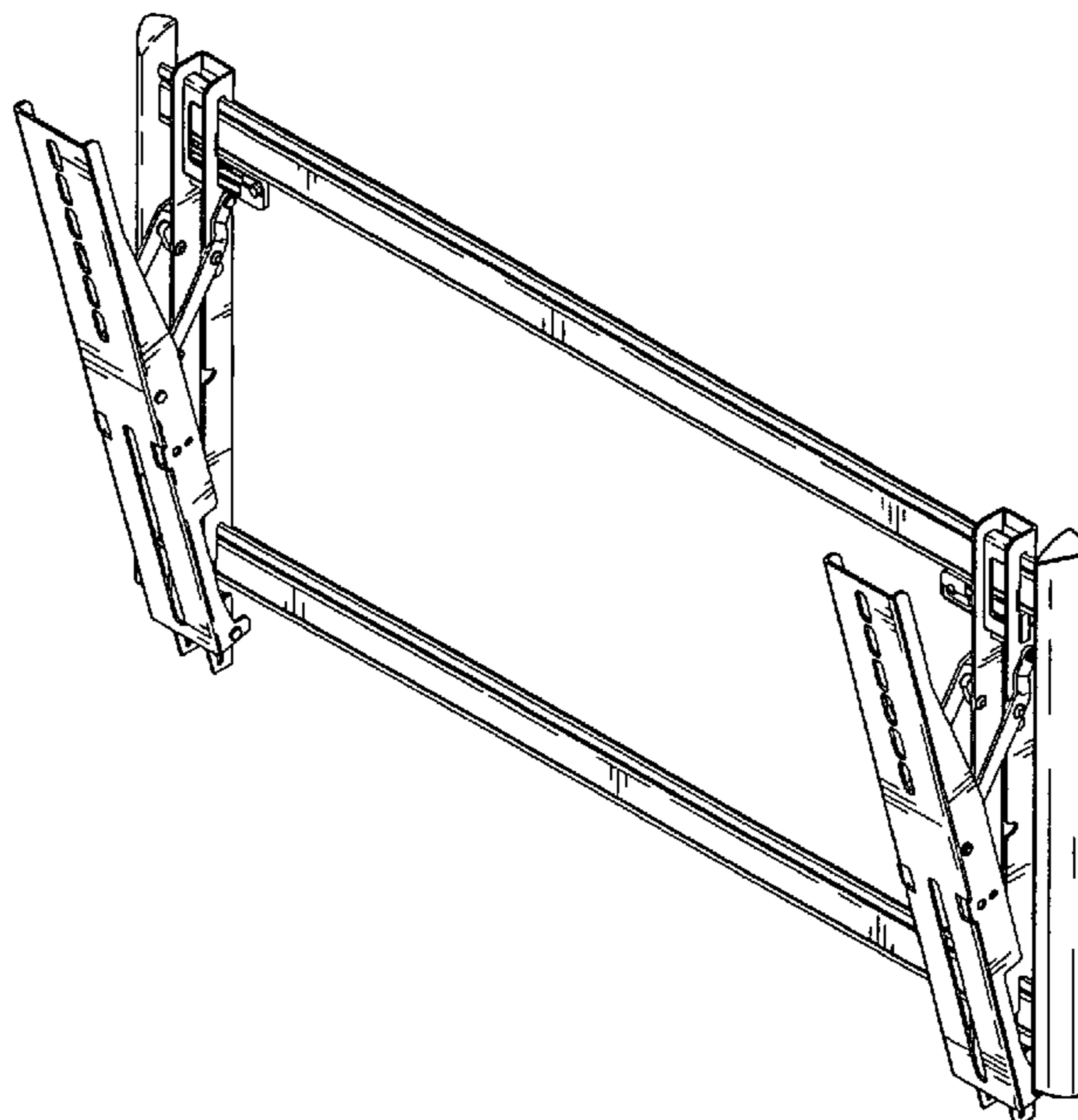
FIG. 4 is a right-side elevational view thereof; the left-side view is a mirror image of FIG. 4.

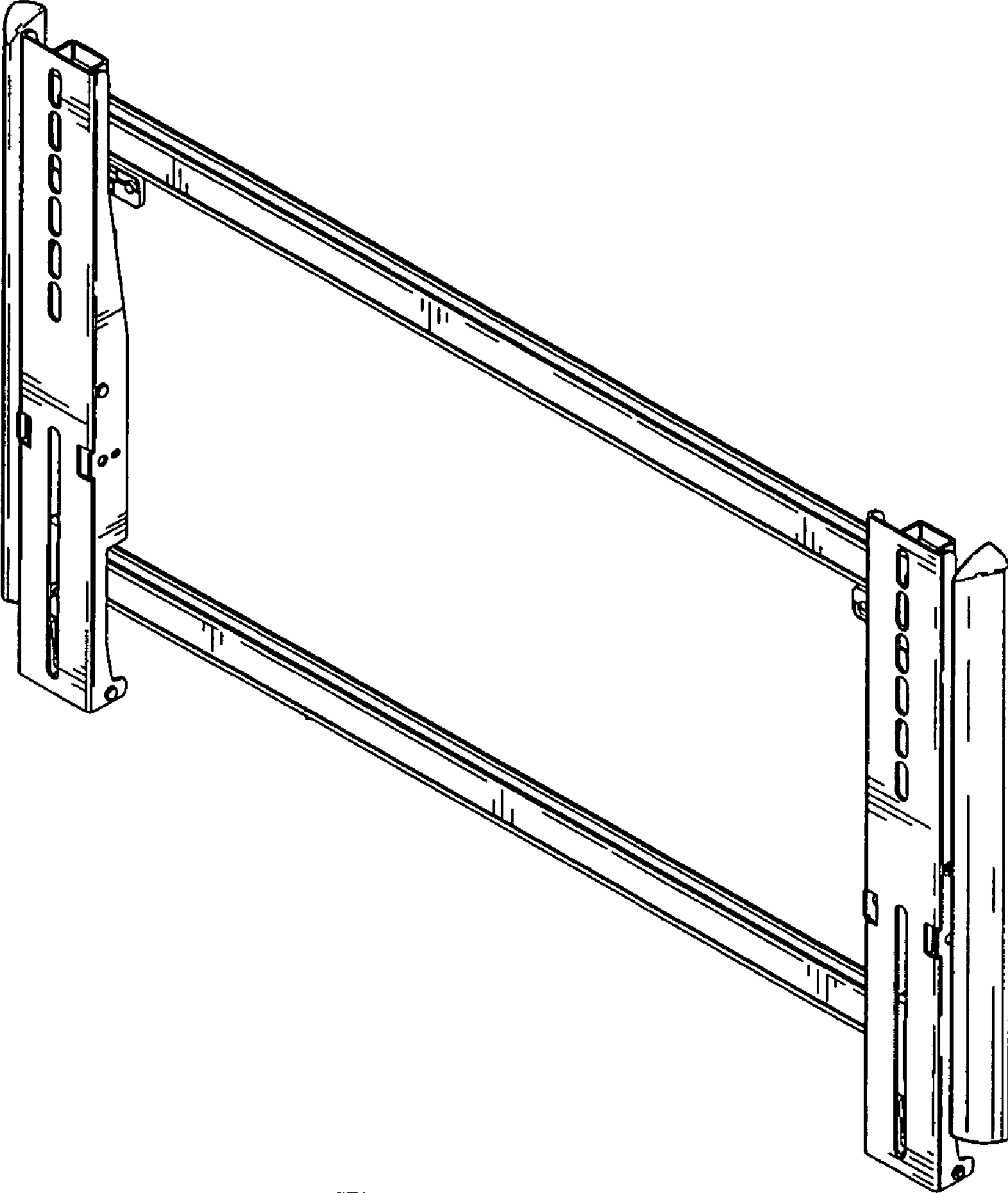
FIG. 5 is a top plan view thereof.

FIG. 6 is a bottom plan view thereof; and,

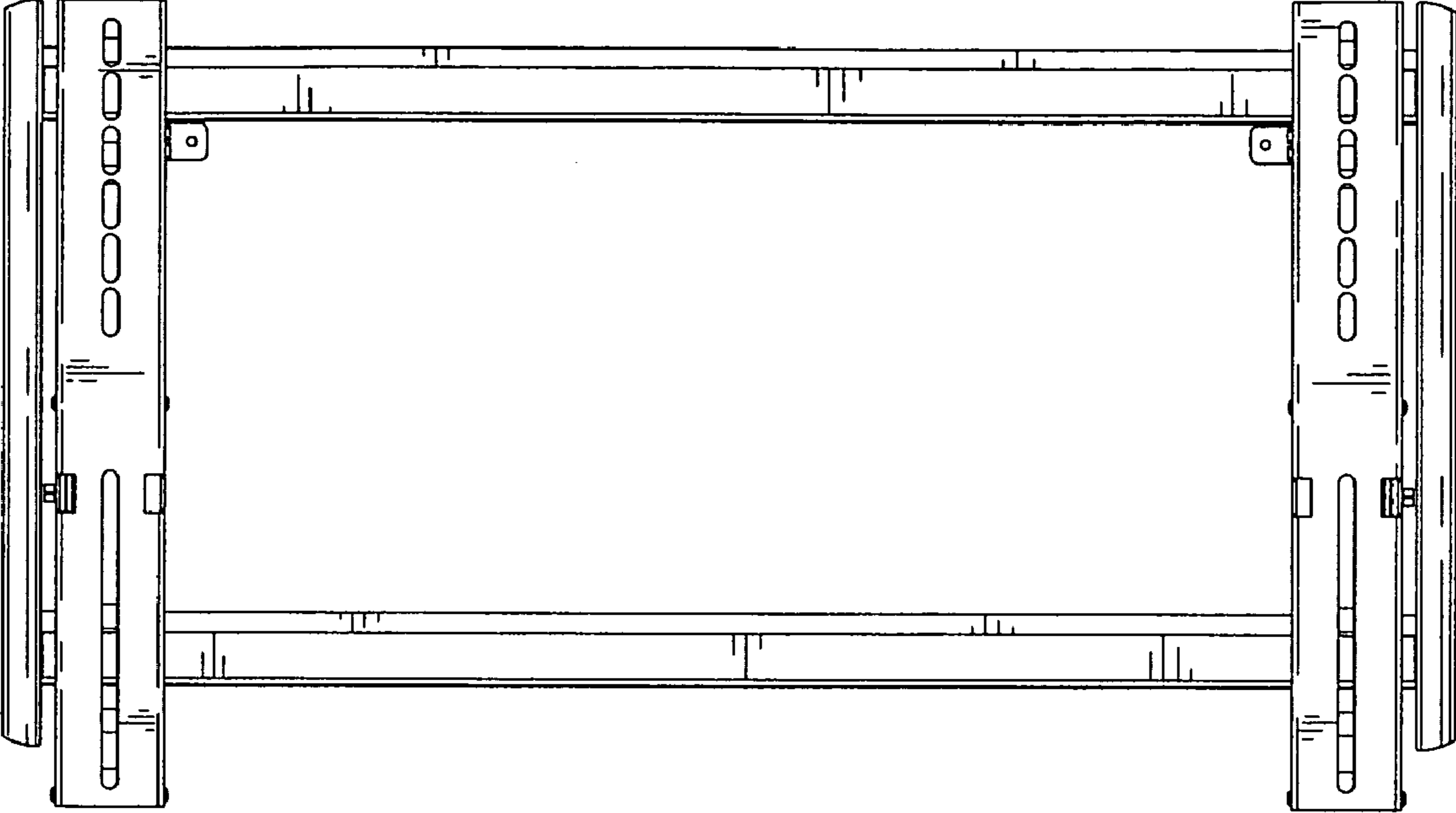
FIG. 7 is a top, right isometric view thereof in a tilted configuration.

**1 Claim, 4 Drawing Sheets**

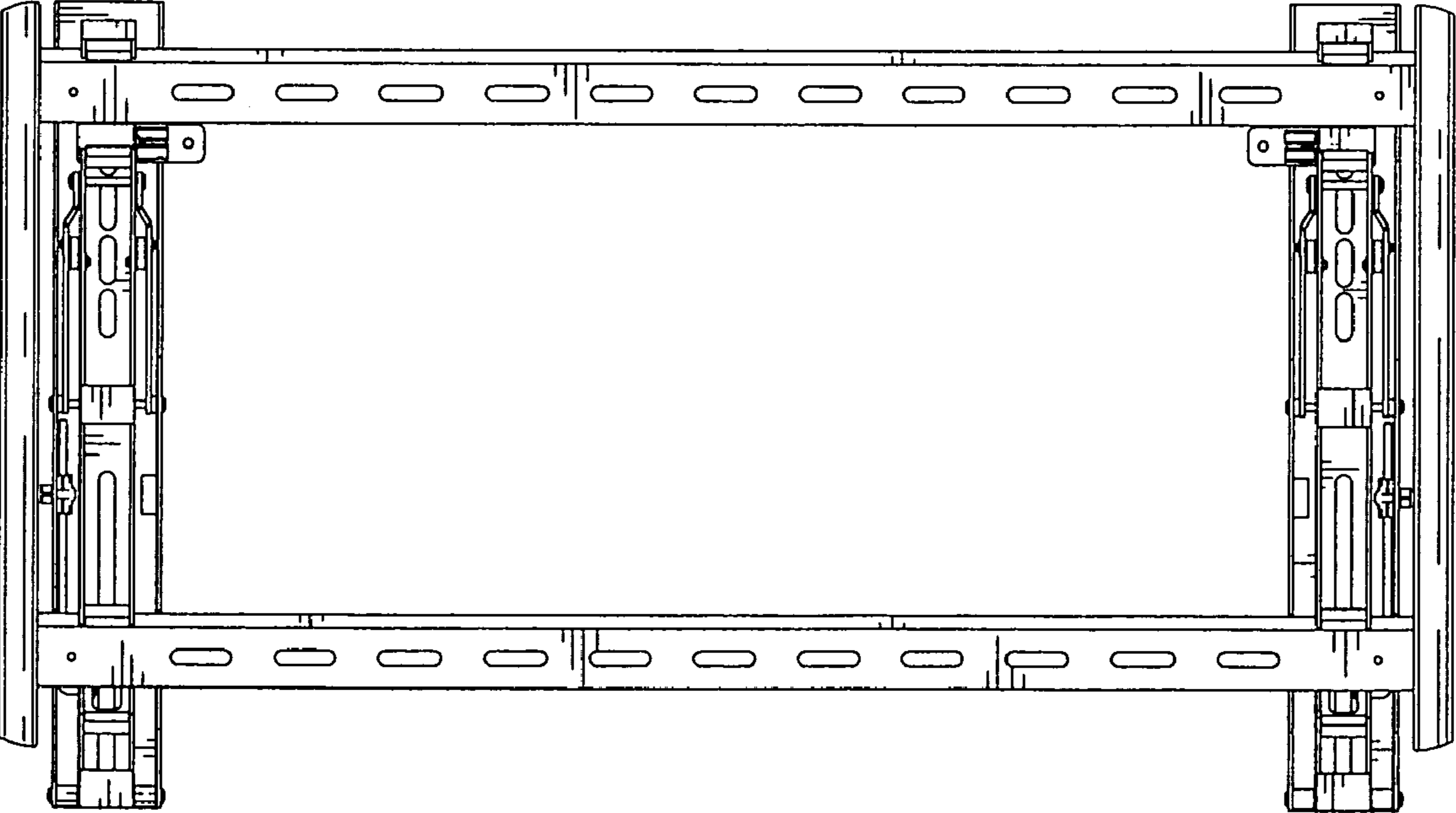




*Fig. 1*



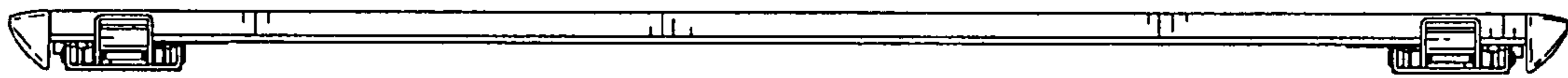
*Fig. 2*



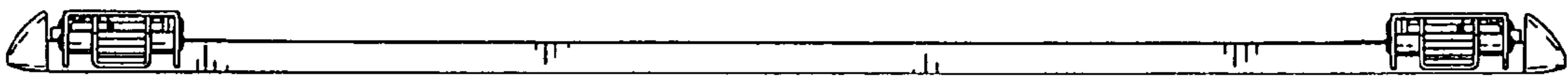
*Fig. 3*



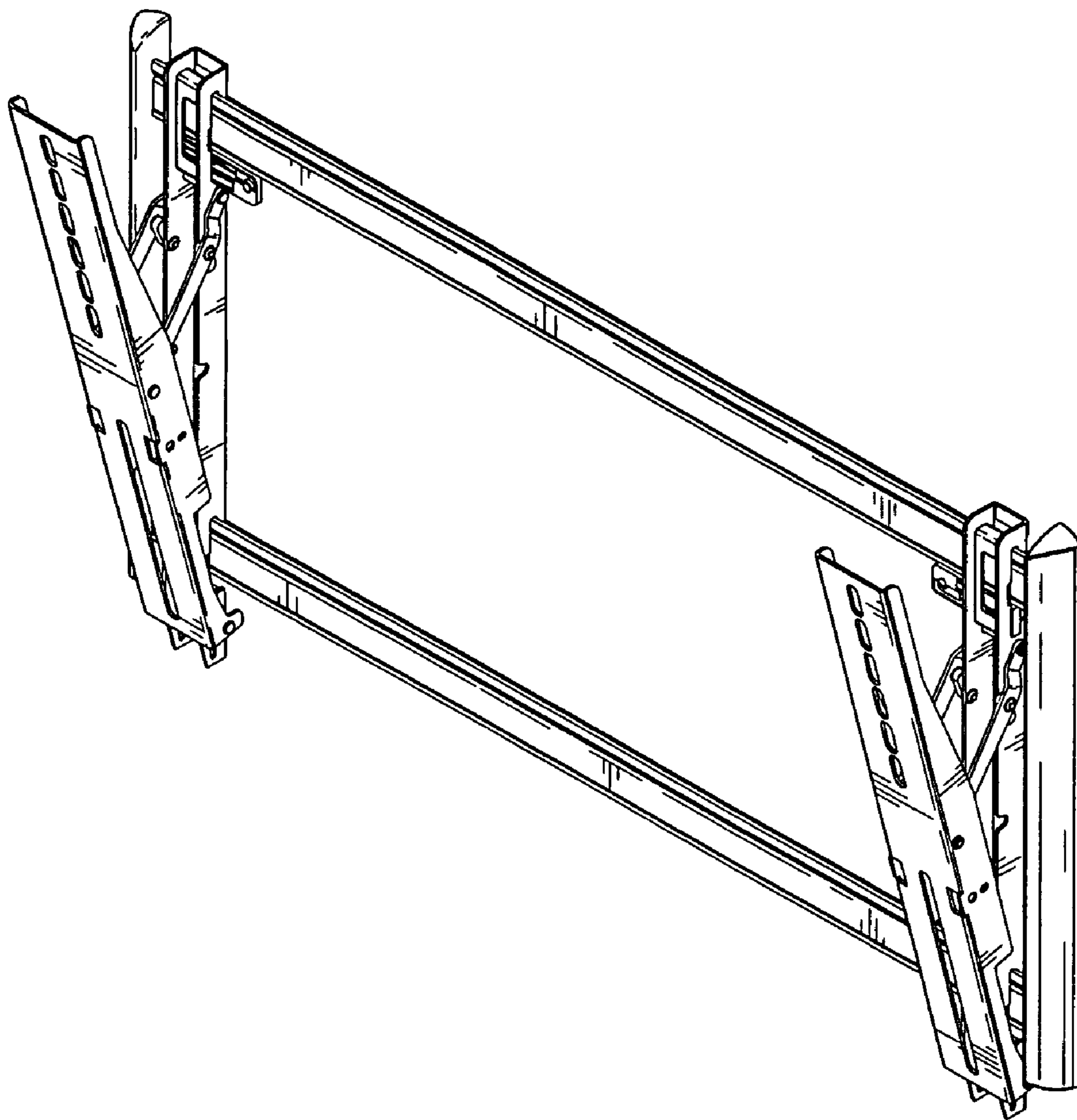
*Fig. 4*



*Fig. 5*



*Fig. 6*



*Fig. 7*