

US00D560670S

(12) **United States Design Patent**
Anderson et al.

(10) **Patent No.: US D560,670 S**

(45) **Date of Patent: ** Jan. 29, 2008**

(54) **SMALL UNIVERSAL FIXED MOUNT FOR A FLAT PANEL DISPLAY**

(75) Inventors: **David Anderson**, Mesa, AZ (US); **Scott Berdell**, Scottsdale, AZ (US); **Brett Stenhouse**, Phoenix, AZ (US)

(73) Assignee: **Omnimount Systems, Inc.**, Phoenix, AZ (US)

(**) Term: **14 Years**

(21) Appl. No.: **29/263,825**

(22) Filed: **Jul. 27, 2006**

(51) **LOC (8) Cl.** **14-03**

(52) **U.S. Cl.** **D14/451**

(58) **Field of Classification Search** D14/129, D14/209, 217, 224, 237, 238, 239, 432, 439, D14/447, 448, 451, 452; D6/449, 513; D8/349, D8/354, 355, 363, 373, 380, 387, 388, 389; D16/235, 242; 248/176.1, 201, 205.1, 220.21, 248/223.31, 231.9, 274.1, 276.1, 281.11, 248/284.1, 286.1, 309.1, 323, 324, 349.1, 248/371, 398, 425, 638, 917, 918, 919, 920, 248/921, 922, 923, 924; 348/825, 827, 836
See application file for complete search history.

(56) **References Cited**

U.S. PATENT DOCUMENTS

D517,085 S * 3/2006 Deuschle D14/451
D530,595 S * 10/2006 Lam et al. D8/373
7,175,146 B2 * 2/2007 Kim 248/279.1
D538,140 S * 3/2007 Ly Hau et al. D8/373
D538,141 S * 3/2007 Stenhouse et al. D8/373

D538,632 S * 3/2007 Ly Hau et al. D8/363
D539,126 S * 3/2007 Stenhouse et al. D8/373
D539,636 S * 4/2007 Bremmon D8/363
D539,637 S * 4/2007 Ly Hau et al. D8/373
D540,154 S * 4/2007 Bremmon D8/363
2005/0152102 A1 * 7/2005 Shin 361/681
2006/0291152 A1 * 12/2006 Bremmon 361/681

OTHER PUBLICATIONS

LCD Accessories, Apr. 26, 2005, http://web.archive.org/web/20050426105125/http://www.goelectronic.com/Merchant2/merchant.mvc?Screen=CTGY&Category_Code=LCD+ACCESSORIES.*

* cited by examiner

Primary Examiner—Cathron Brooks

Assistant Examiner—Angela J Lee

(74) *Attorney, Agent, or Firm*—Hogan & Hartson LLP

(57) **CLAIM**

The ornamental design for a small universal fixed mount for a flat panel display, as shown and described.

DESCRIPTION

FIG. 1 is a top, right isometric view of small universal fixed mount for a flat panel display showing our design.

FIG. 2 is a front elevational view thereof.

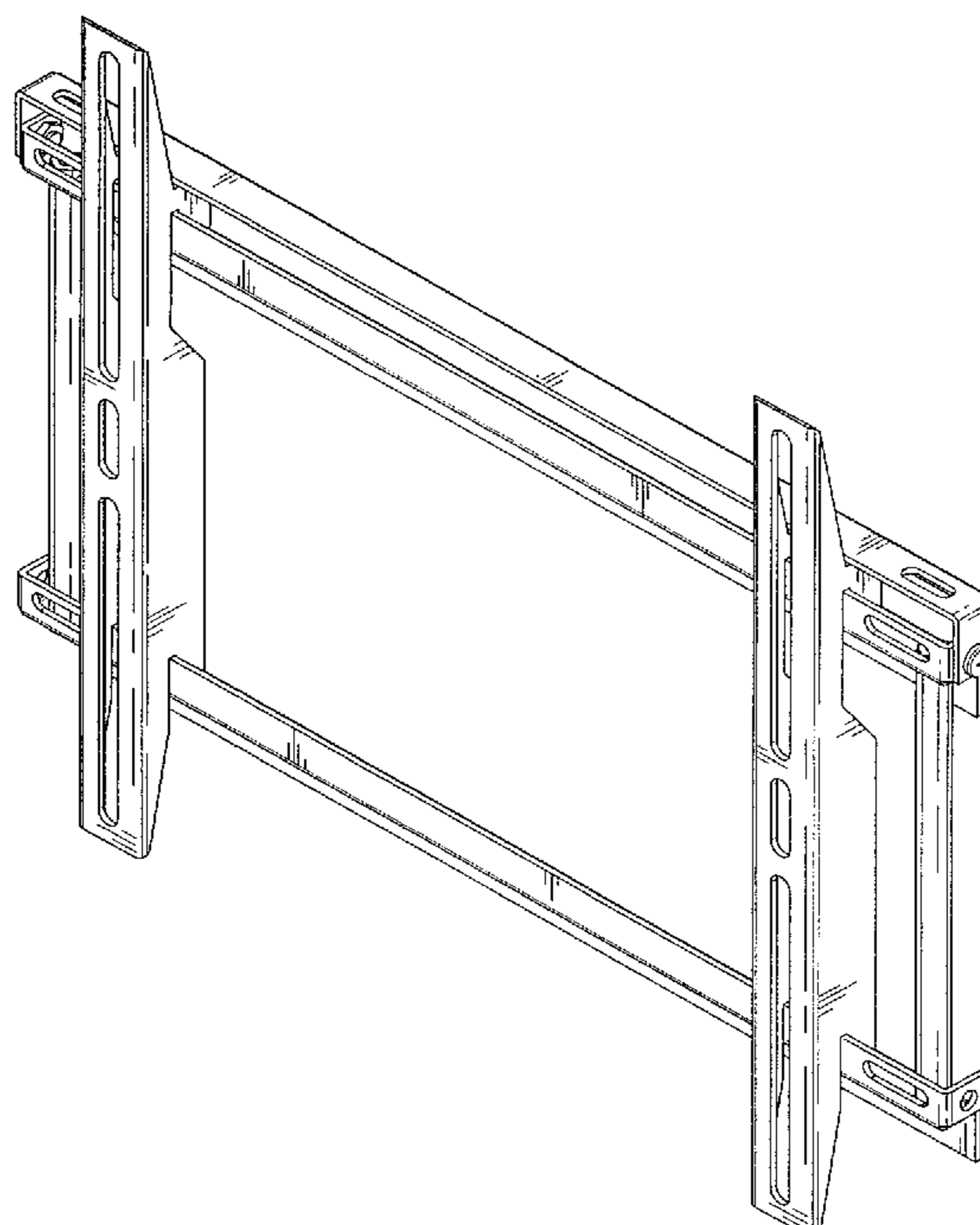
FIG. 3 is a rear elevational view thereof.

FIG. 4 is a right-side elevational view thereof; the left-side view is a mirror image of FIG. 4.

FIG. 5 is a top plan view thereof; and,

FIG. 6 is a bottom plan view thereof.

1 Claim, 3 Drawing Sheets



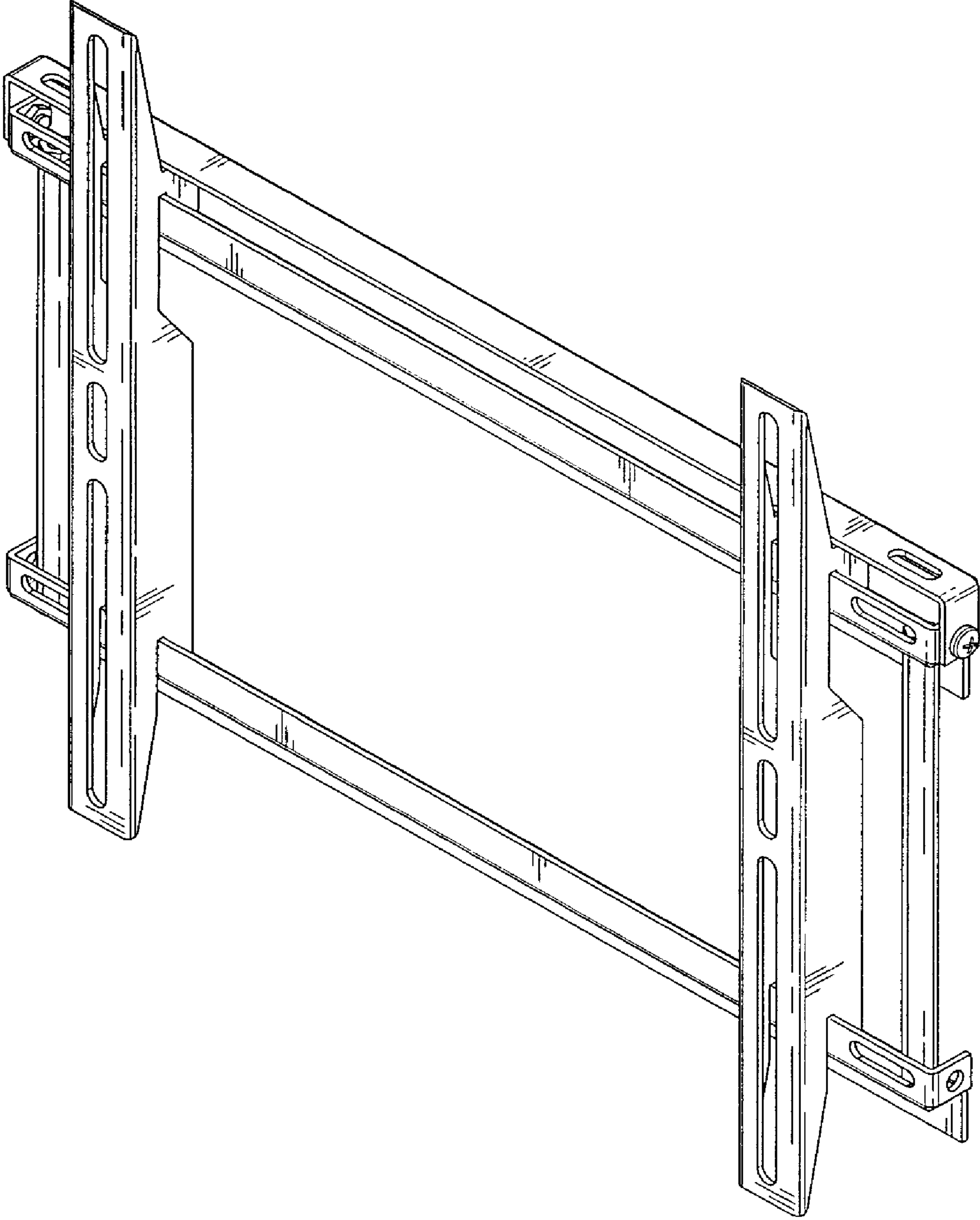


Fig. 1

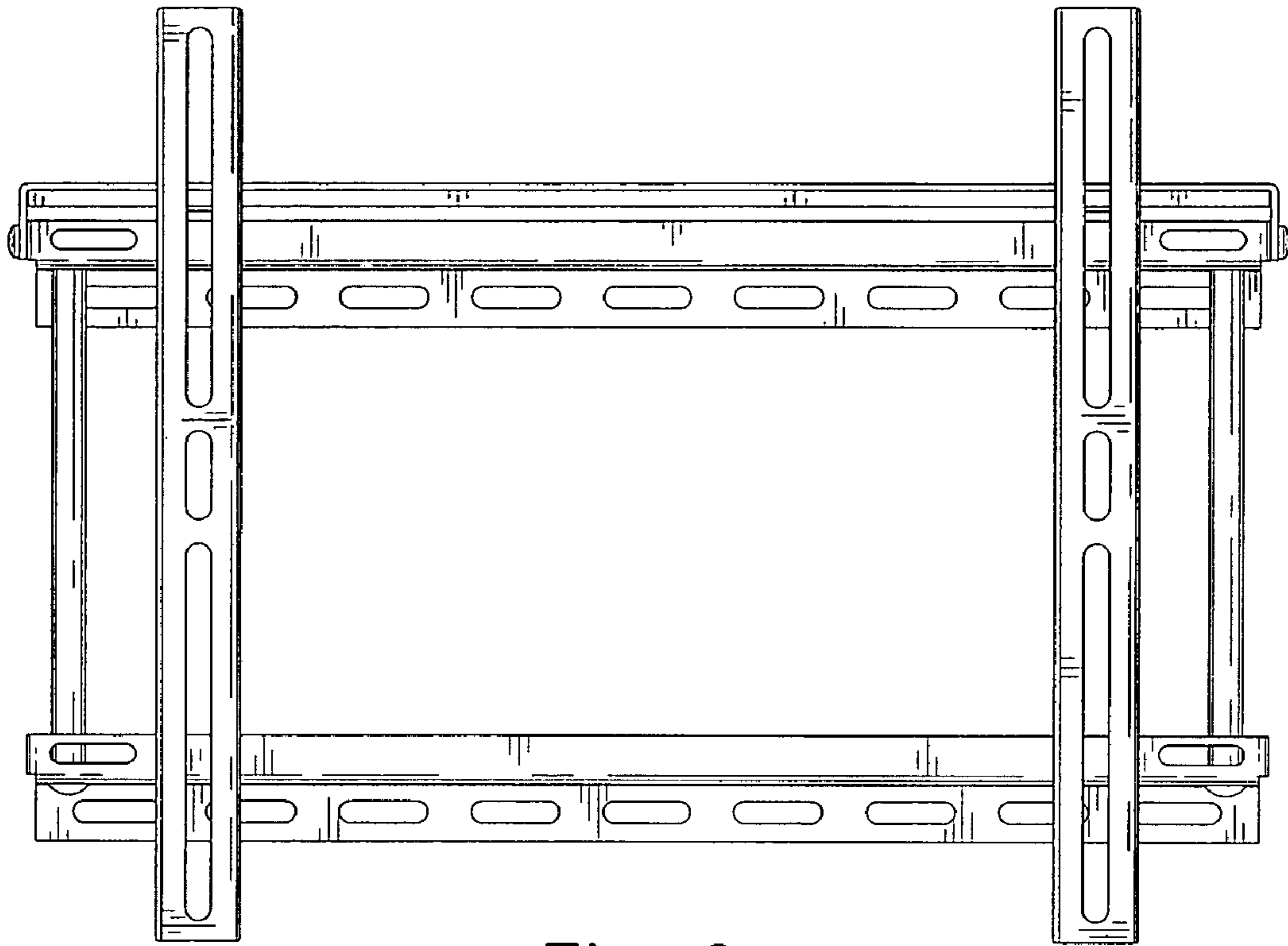


Fig. 2

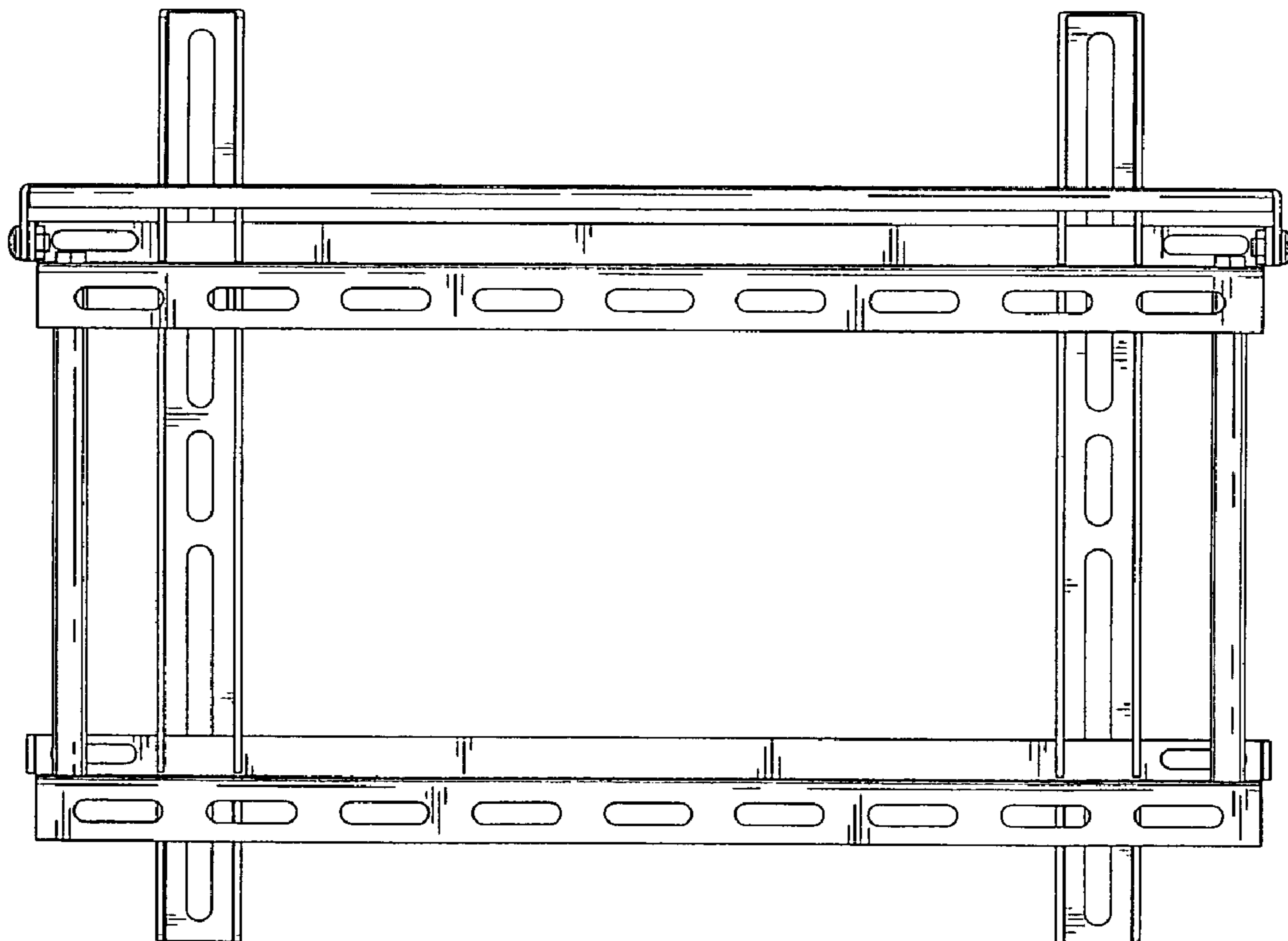


Fig. 3



Fig. 4

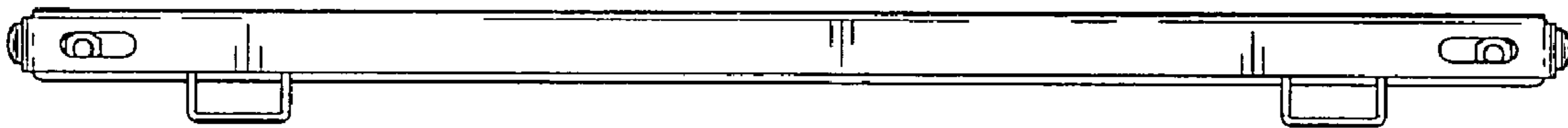


Fig. 5

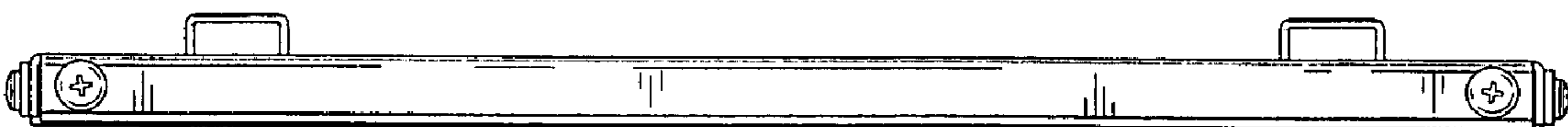


Fig. 6