

US00D560669S

(12) **United States Design Patent**
Muday et al.

(10) **Patent No.:** **US D560,669 S**
(45) **Date of Patent:** **** Jan. 29, 2008**

(54) **ROTATABLE MOUNT FOR AUDIO/VISUAL EQUIPMENT**

(75) Inventors: **Tom Muday**, Scottsdale, AZ (US);
Zachary Eyman, Phoenix, AZ (US);
Brett Stenhouse, Phoenix, AZ (US);
Keith Charvonia, Cave Creek, AZ (US)

(73) Assignee: **Omnimount Systems, Inc.**, Phoenix, AZ (US)

(**) Term: **14 Years**

(21) Appl. No.: **29/263,820**

(22) Filed: **Jul. 28, 2006**

(51) **LOC (8) Cl.** **14-03**

(52) **U.S. Cl.** **D14/451**

(58) **Field of Classification Search** D14/129,
D14/209, 217, 224, 237, 238, 239, 432, 439,
D14/447, 448, 451, 452; D6/449, 513; D8/349,
D8/354, 355, 363, 373, 380, 387, 388, 389;
D16/235, 242; 248/176.1, 201, 205.1, 220.21,
248/223.31, 231.9, 274.1, 276.1, 281.11,
248/284.1, 286.1, 309.1, 323, 324, 349.1,
248/371, 398, 425, 638, 917, 918, 919, 920,
248/921, 922, 923, 924; 348/825, 827, 836
See application file for complete search history.

(56) **References Cited**

U.S. PATENT DOCUMENTS

D281,163 S * 10/1985 Robinson D14/442

4,566,664 A * 1/1986 Donald 248/349.1
D303,959 S * 10/1989 Suyama et al. D14/451
D308,067 S * 5/1990 Mednick D16/245
5,685,514 A * 11/1997 Carnahan et al. 248/425
5,782,451 A * 7/1998 Carnahan et al. 248/425
D456,386 S * 4/2002 Irby et al. D14/224
D513,470 S * 1/2006 Gillespie et al. D8/355
D514,612 S * 2/2006 Boele D16/235
D540,367 S * 4/2007 Dittmer D16/235
D546,366 S * 7/2007 Dittmer D16/235
2005/0194509 A1 * 9/2005 Tsai et al. 248/349.1

* cited by examiner

Primary Examiner—Cathron Brooks

Assistant Examiner—Angela J Lee

(74) *Attorney, Agent, or Firm*—Hogan & Hartson LLP

(57) **CLAIM**

The ornamental design for a rotatable mount for audio/visual equipment, as shown and described.

DESCRIPTION

FIG. 1 is a top isometric view of a rotatable mount for audio/visual equipment showing our design.

FIG. 2 is a front elevational view thereof.

FIG. 3 is a rear elevational view thereof.

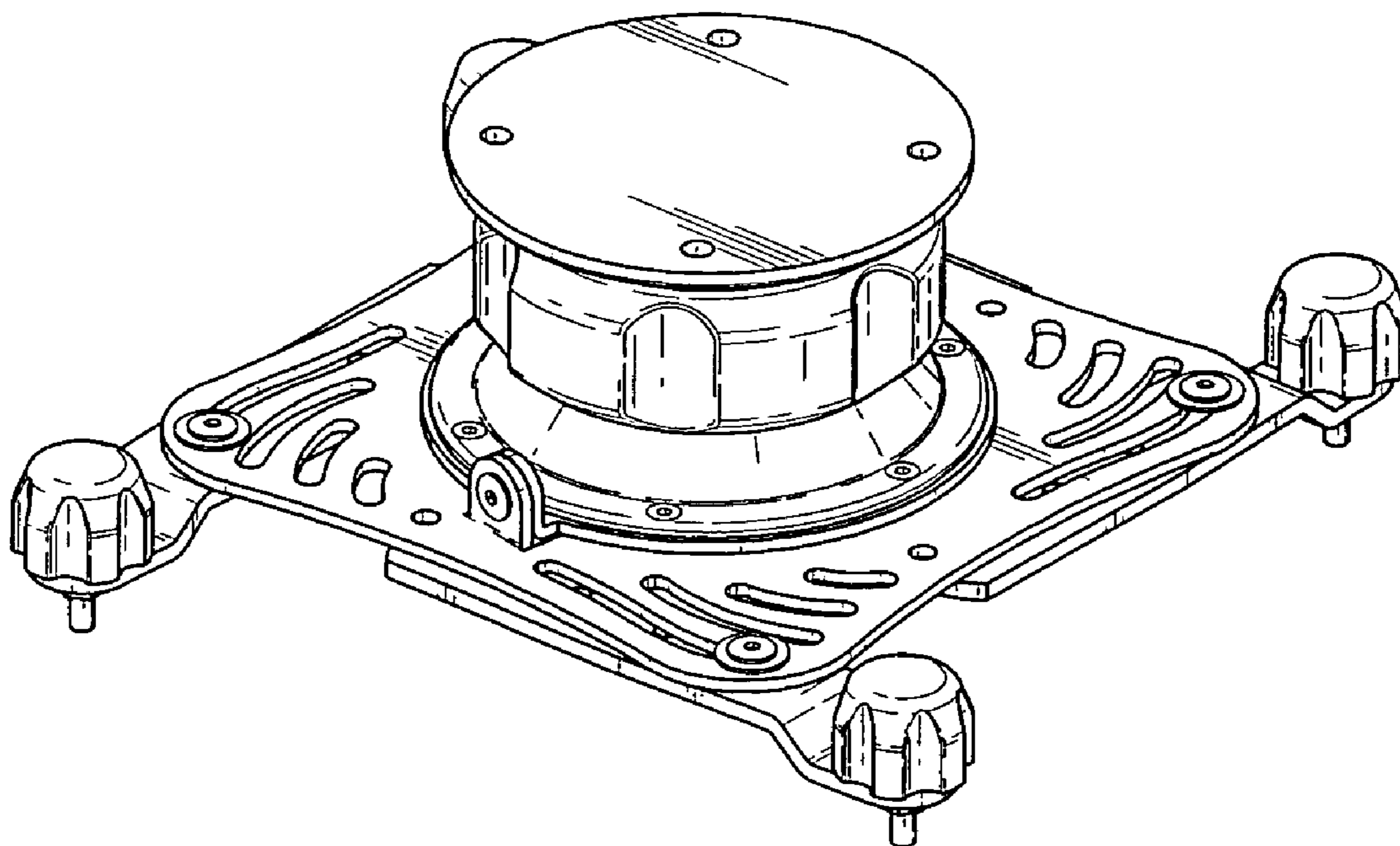
FIG. 4 is a right side elevational view thereof.

FIG. 5 is a left side elevational view thereof.

FIG. 6 is a top plan view thereof; and,

FIG. 7 is a bottom plan view thereof.

1 Claim, 3 Drawing Sheets



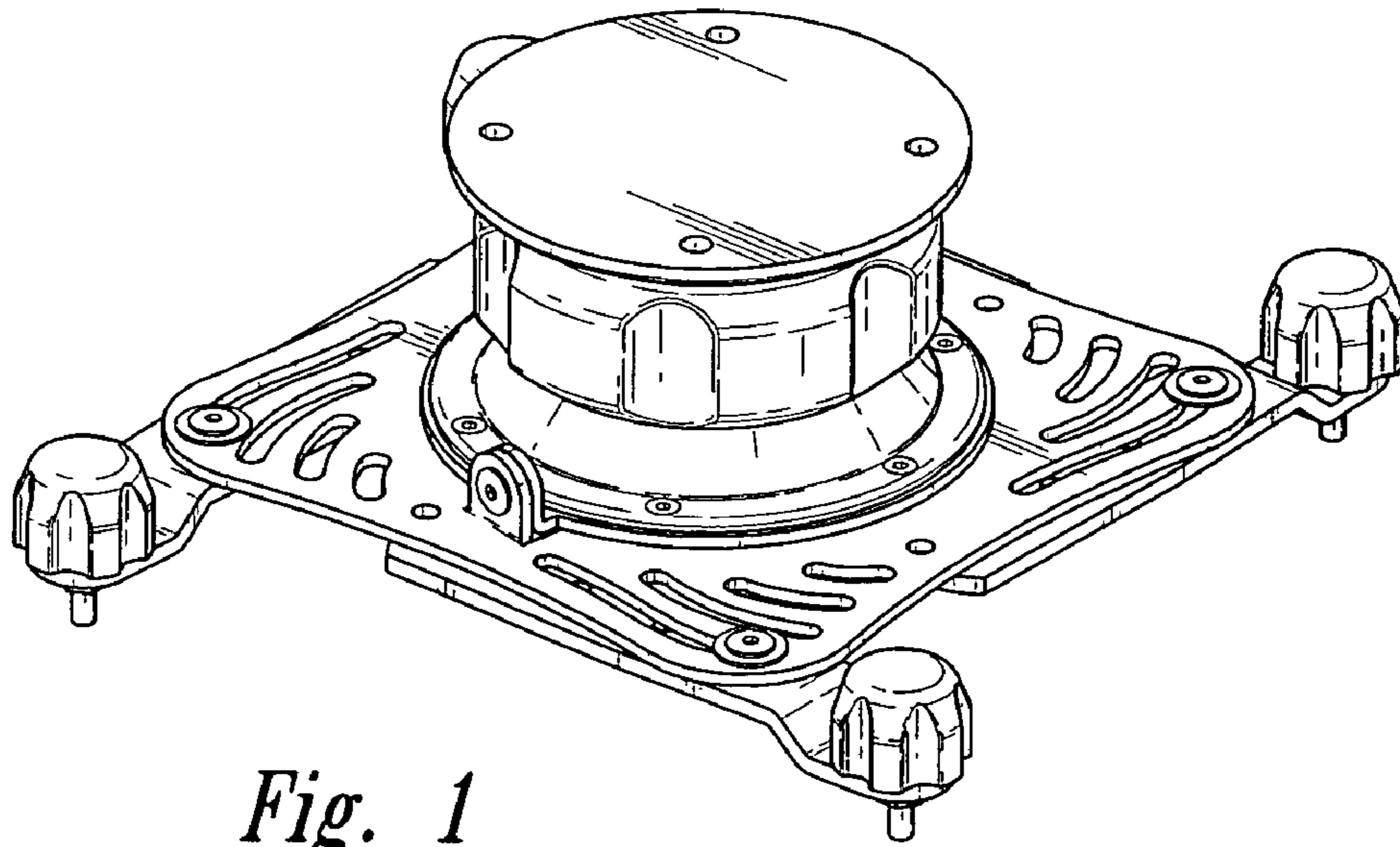


Fig. 1

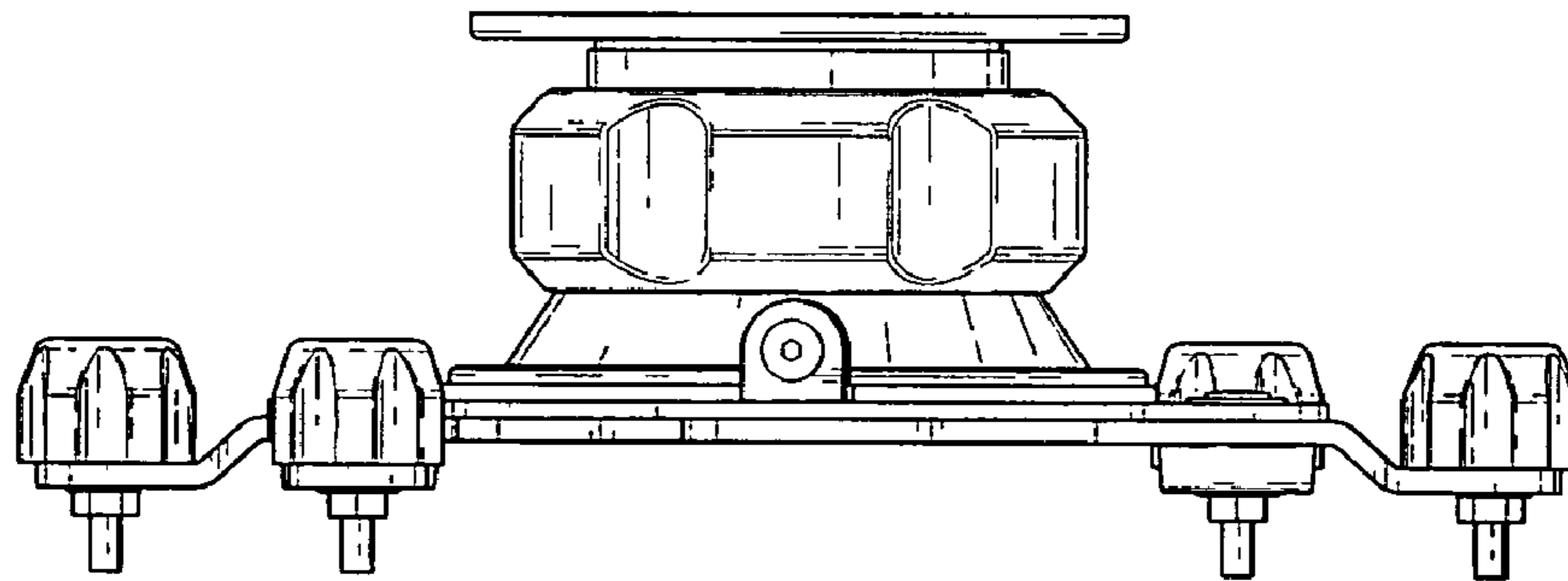


Fig. 2

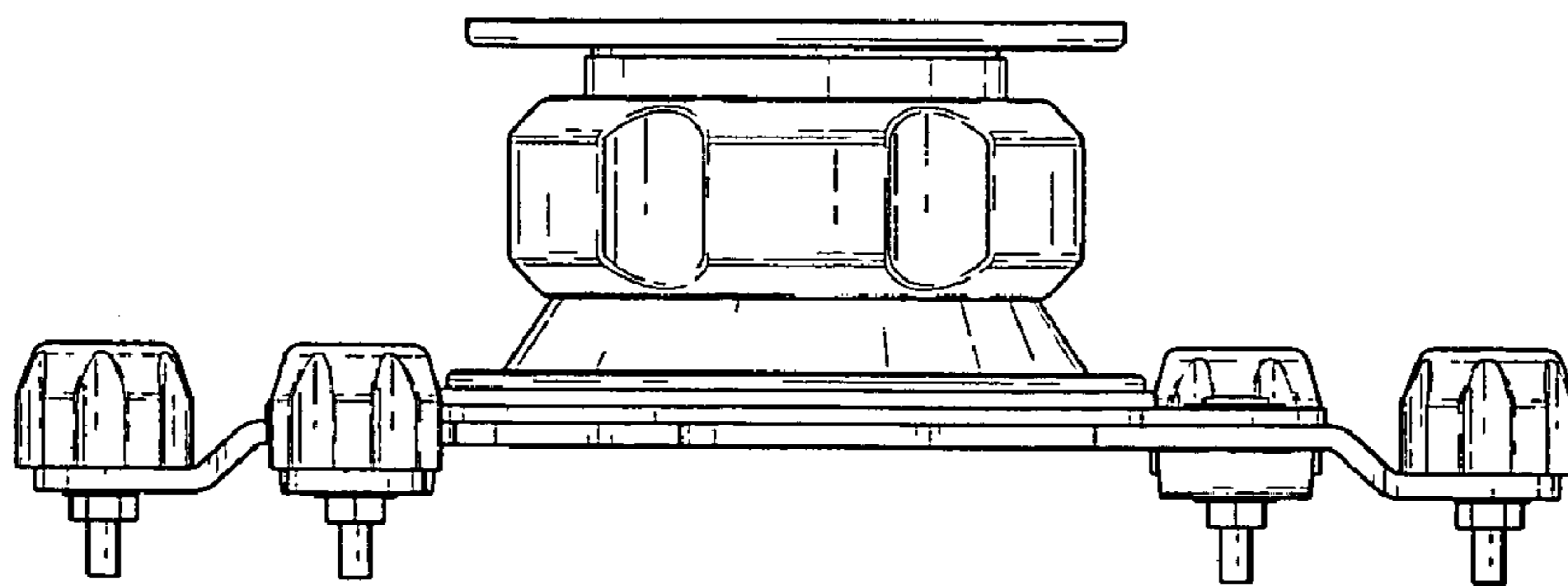


Fig. 3

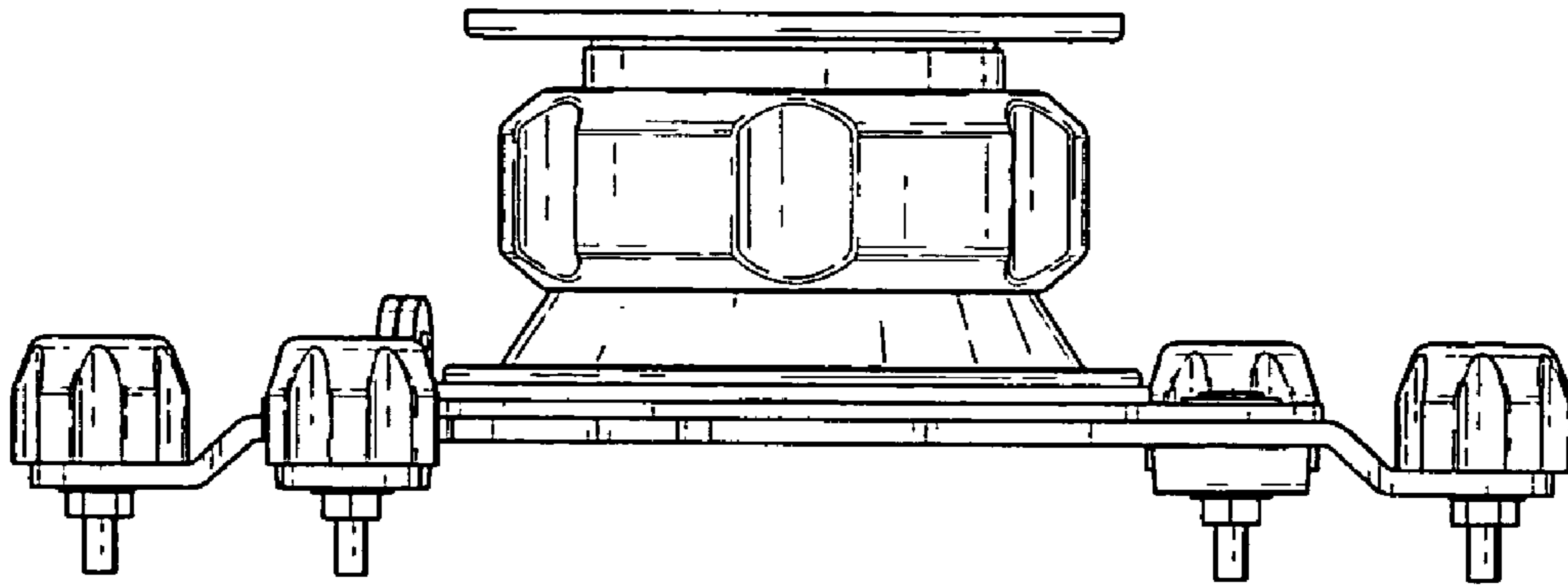


Fig. 4

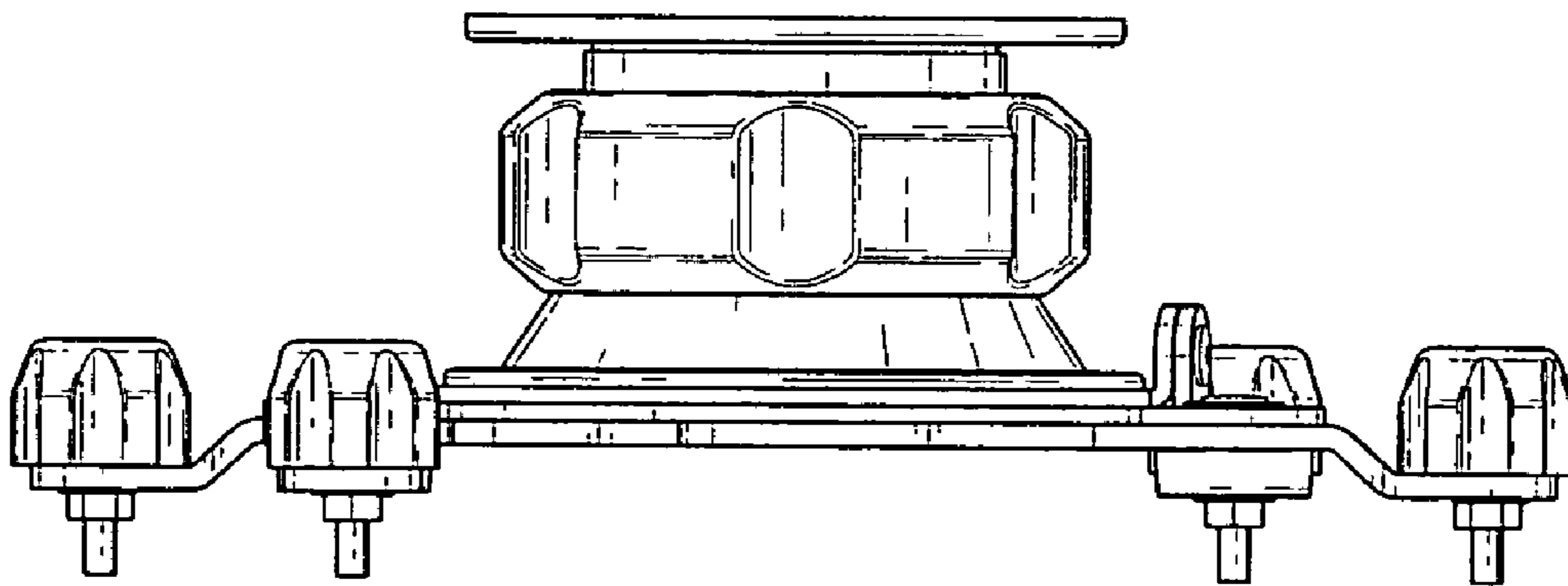


Fig. 5

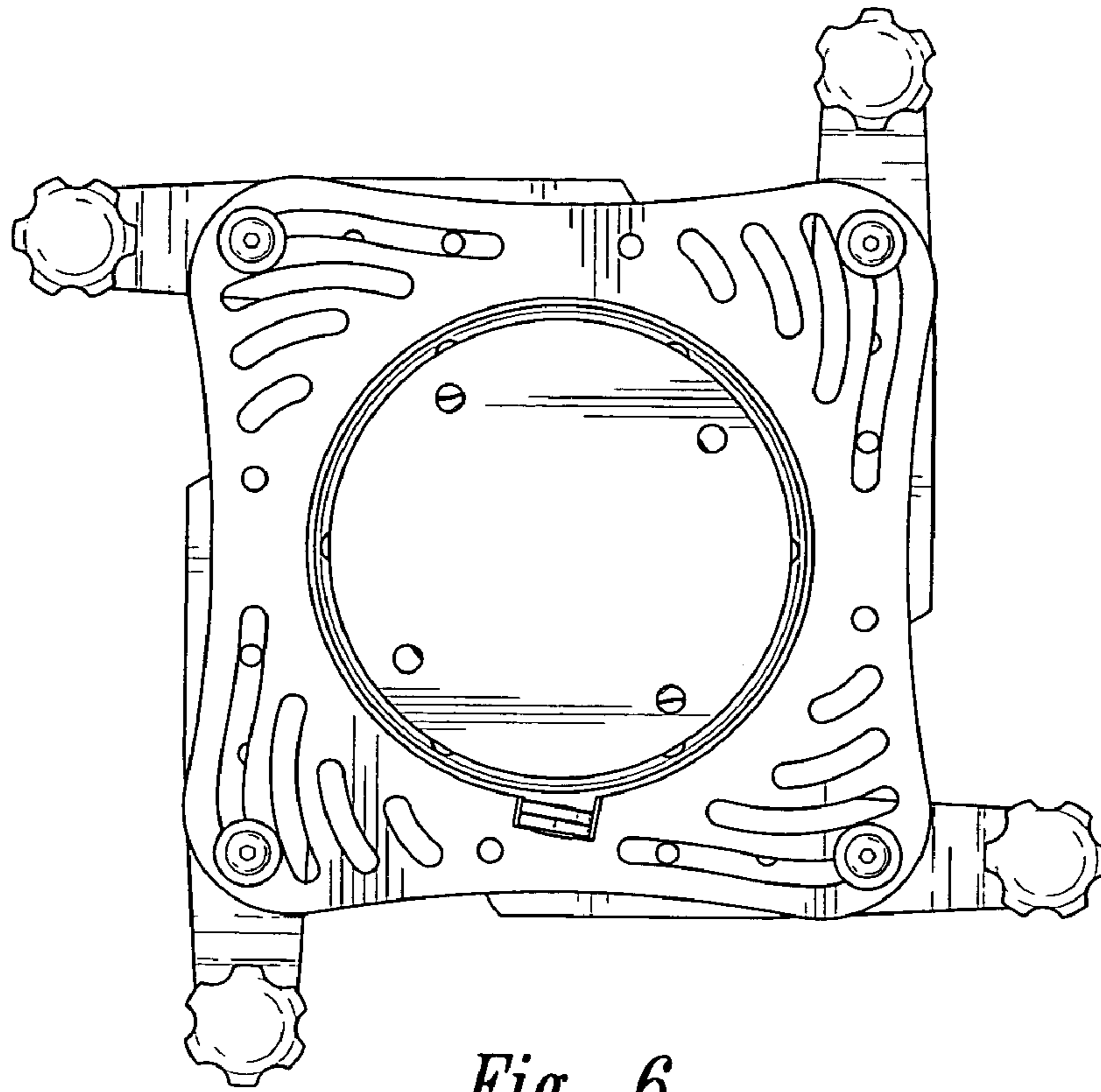


Fig. 6

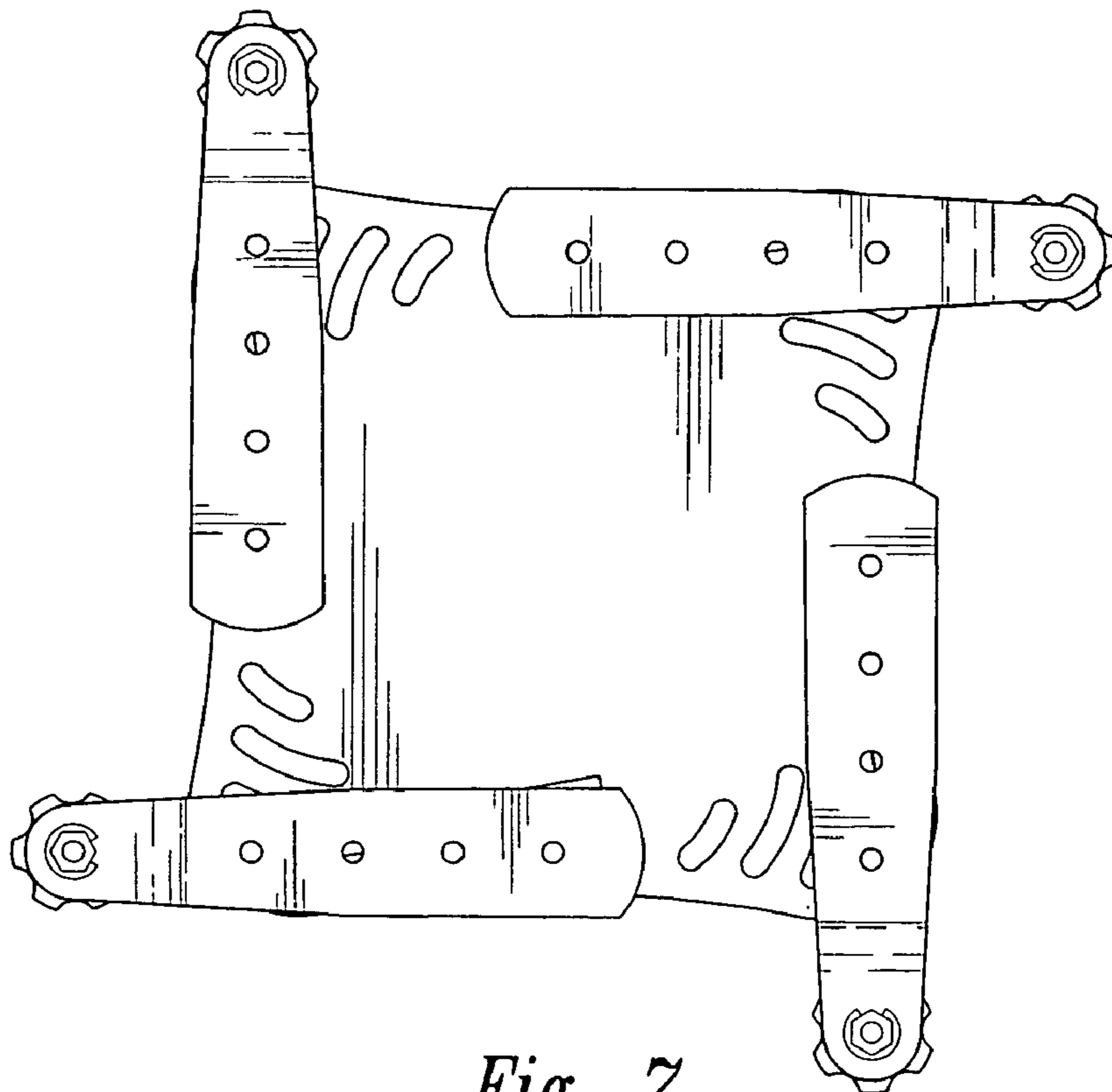


Fig. 7