



US00D560656S

(12) **United States Design Patent**
Andre et al.

(10) **Patent No.:** **US D560,656 S**
(45) **Date of Patent:** **** Jan. 29, 2008**

(54) **SPEAKER UNIT**

(75) Inventors: **Bartley K. Andre**, Menlo Park, CA (US); **Daniel J. Coster**, San Francisco, CA (US); **Daniele De Iuliis**, San Francisco, CA (US); **Richard P. Howarth**, San Francisco, CA (US); **Steve Jobs**, Palo Alto, CA (US); **Jonathan P. Ive**, San Francisco, CA (US); **Duncan Robert Kerr**, San Francisco, CA (US); **Shin Nishibori**, San Francisco, CA (US); **Matthew Dean Rohrbach**, San Francisco, CA (US); **Douglas B. Satzger**, Menlo Park, CA (US); **Calvin Q. Seid**, Palo Alto, CA (US); **Christopher J. Stringer**, Portola Valley, CA (US); **Eugene Antony Whang**, San Francisco, CA (US); **Rico Zorkendorfer**, San Francisco, CA (US)

(73) Assignee: **Apple Inc.**, Cupertino, CA (US)

(**) Term: **14 Years**

(21) Appl. No.: **29/240,183**

(22) Filed: **Oct. 7, 2005**

(51) **LOC (8) Cl.** **14-01**

(52) **U.S. Cl.** **D14/214**

(58) **Field of Classification Search** D14/204,
D14/209–217, 188, 168, 156, 171–172; 181/143–144,
181/147–148, 150, 157, 198–199, 151, 153;
381/300–302, 306, 333, 345, 361–364, 386–388,
381/332, 336

See application file for complete search history.

(56) **References Cited**

U.S. PATENT DOCUMENTS

3,143,182 A * 8/1964 Sears et al. 181/153

OTHER PUBLICATIONS

Andre et al. U.S. Appl. No. 29/237,111 entitled “Dock Insert” filed Aug. 24, 2005 (APL1D390A).

(Continued)

Primary Examiner—Nanda Bondade

(74) *Attorney, Agent, or Firm*—Beyer Weaver LLP

(57) **CLAIM**

We claim the ornamental design for an speaker unit, substantially as shown and described.

DESCRIPTION

FIG. 1 is a front perspective view of a speaker unit showing our new design;

FIG. 2 is a rear perspective view for the speaker unit.

FIG. 3 is a front view for the speaker unit.

FIG. 4 is a rear view for the speaker unit.

FIG. 5 is a top view for the speaker unit.

FIG. 6 is a bottom view for the speaker unit.

FIG. 7 is a right side view for the speaker unit.

FIG. 8 is a left side view for the speaker unit.

FIG. 9 is a front view for the speaker unit with the speaker cover removed.

FIG. 10 is a rear view for the speaker cover of the speaker unit; and,

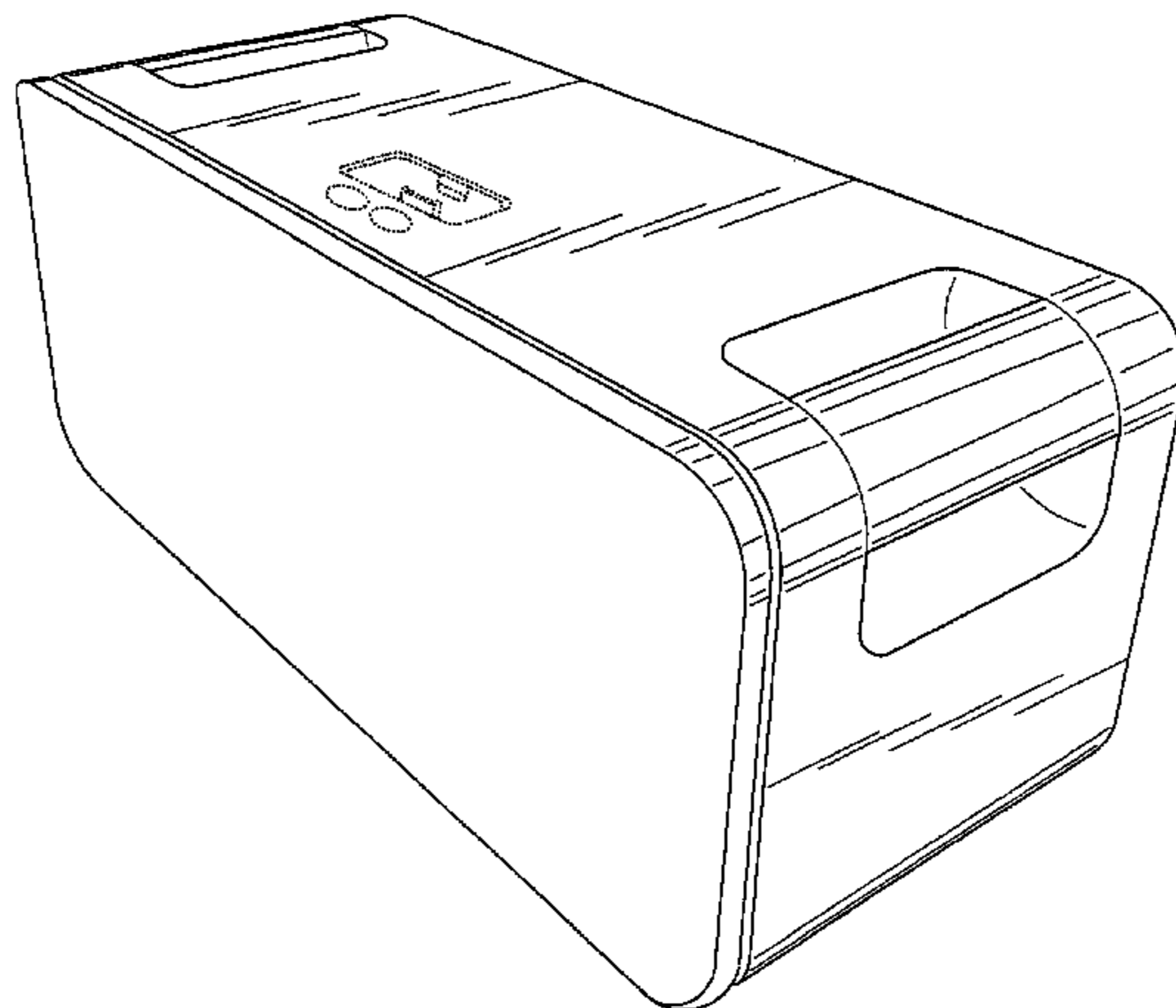
FIG. 11 is a front view of an alternate embodiment with the speaker cover shown in a textile pattern.

The dotted lines of FIGS. 1 and 5 represent a docking station, which docking station does not form any part of the claimed design. A docking station is shown and described in U.S. Design Patent application No. 29/237,084 filed Aug. 24, 2005, titled “Docking Station” which is incorporated herein by reference. All the material from the incorporated Application which is essential to the claimed design is included in this application. Any material in the incorporated application which is not present in this application forms no part of the claimed design.

The speaker unit may include a docking station that is integrated therewith. The docking station allows a handheld music player to be docked into the speaker unit. The speaker unit can therefore be used to output music being played on the docked handheld music player. In the illustrated embodiment, the docking station is shown in broken lines on top of the portable music player.

The broken lines illustrating the docking station are included for the purpose of illustrating environmental structure only and form no part of the claimed design.

1 Claim, 6 Drawing Sheets



U.S. PATENT DOCUMENTS

D369,356 S * 4/1996 Olson D14/214
D395,047 S 6/1998 Segan et al.
D418,138 S * 12/1999 Miyazaki D14/214
6,591,085 B1 7/2003 Grady
D508,041 S * 8/2005 Carbone et al. D14/214
D508,689 S 8/2005 Schul et al.
D514,090 S 1/2006 Carbone et al.
2004/0162029 A1 8/2004 Grady

OTHER PUBLICATIONS

Andre et al. U.S. Appl. No. 29/237,112 entitled "Dock Insert" filed Aug. 24, 2005 (APL1D390B).
Andre et al. U.S. Appl. No. 29/237,097 entitled "Dock Insert" filed Aug. 24, 2005 (APL1D390).
Andre et al. U.S. Appl. No. 29/237,084 entitled "Docking Station Insert" filed Aug. 24, 2005 (APL1D420).
Fadell et al. U.S. Appl. No. 10/423,490 entitled "Media Player System" filed Apr. 25, 2003 (APL1P264).

"iPod Speakers", <http://store.apple.com/1-800-MY-APPLE/WebObjects/AppleStore.woa/wo/7.RSLID?pn=0&mco=251463A4&nclm=iPodSpeakers>, downloaded Apr. 13, 2006.
U.S. Appl. No. 29/251,423 entitled "Docking Station", filed Jan. 5, 2006.
U.S. Appl. No. 29/237,084 entitled "Docking Station", filed Aug. 24, 2005.
Andre et al. U.S. Appl. No. 29/237,111 entitled "Dock Insert" filed Aug. 24, 2005.
Andre et al. U.S. Appl. No. 29/237,112 entitled "Dock Insert" filed Aug. 24, 2005.
Andre et al. U.S. Appl. No. 29/237,097 entitled "Dock Insert" filed Aug. 24, 2005.
Andre et al. U.S. Appl. No. 29/237,084 entitled "Docking Station Insert" filed Aug. 24, 2005.
Fadell et al. U.S. Appl. No. 10/423,490 entitled "Media Player System" filed Apr. 25, 2003.
"iPod Speakers", <http://store.apple.com/1-800-MY-APPLE/WebObjects/AppleStore.woa/wo/7.RSLID?pn=0&mco=251463A4&nclm=iPodSpeakers>, downloaded Apr. 13, 2006.
* cited by examiner

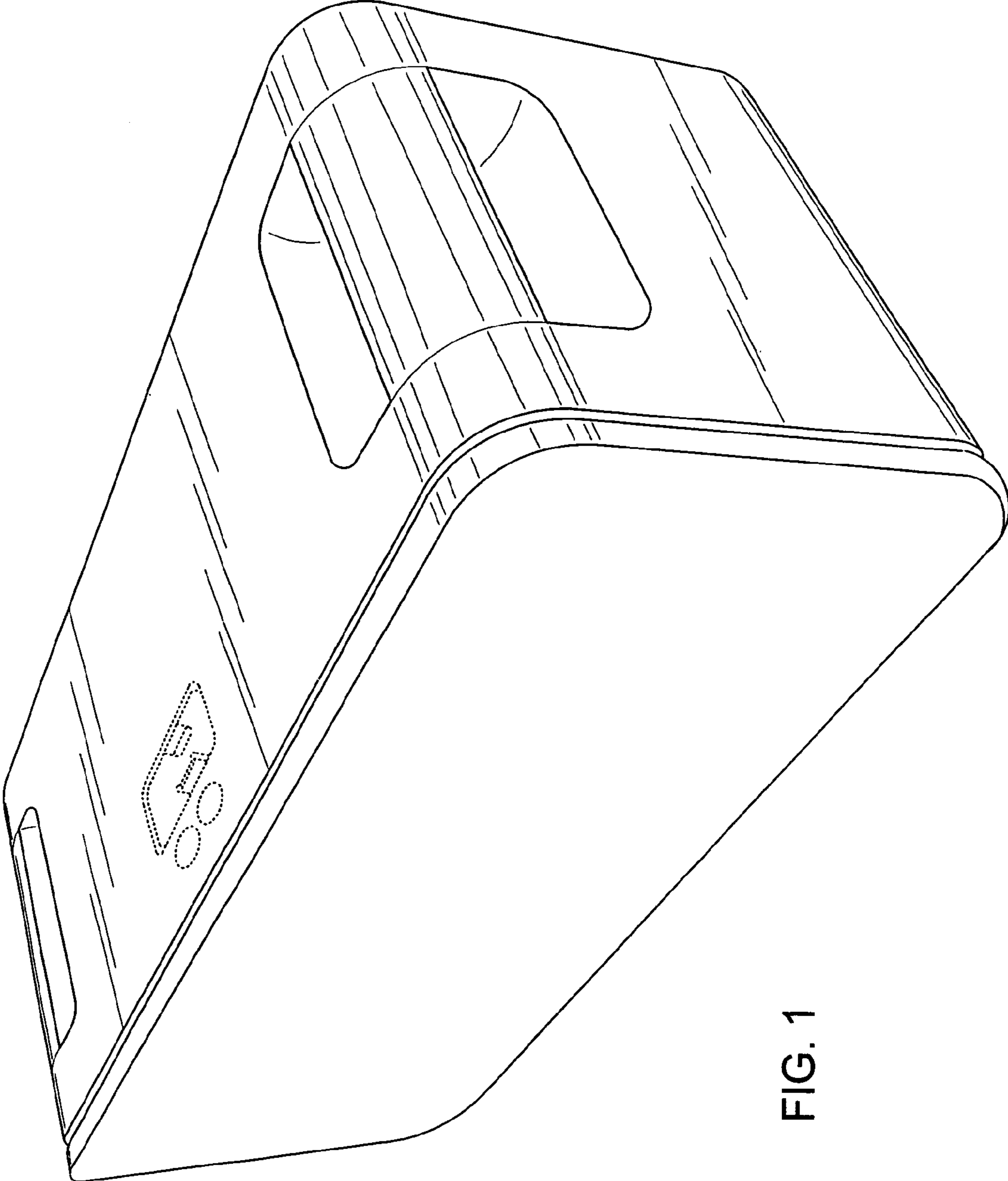


FIG. 1

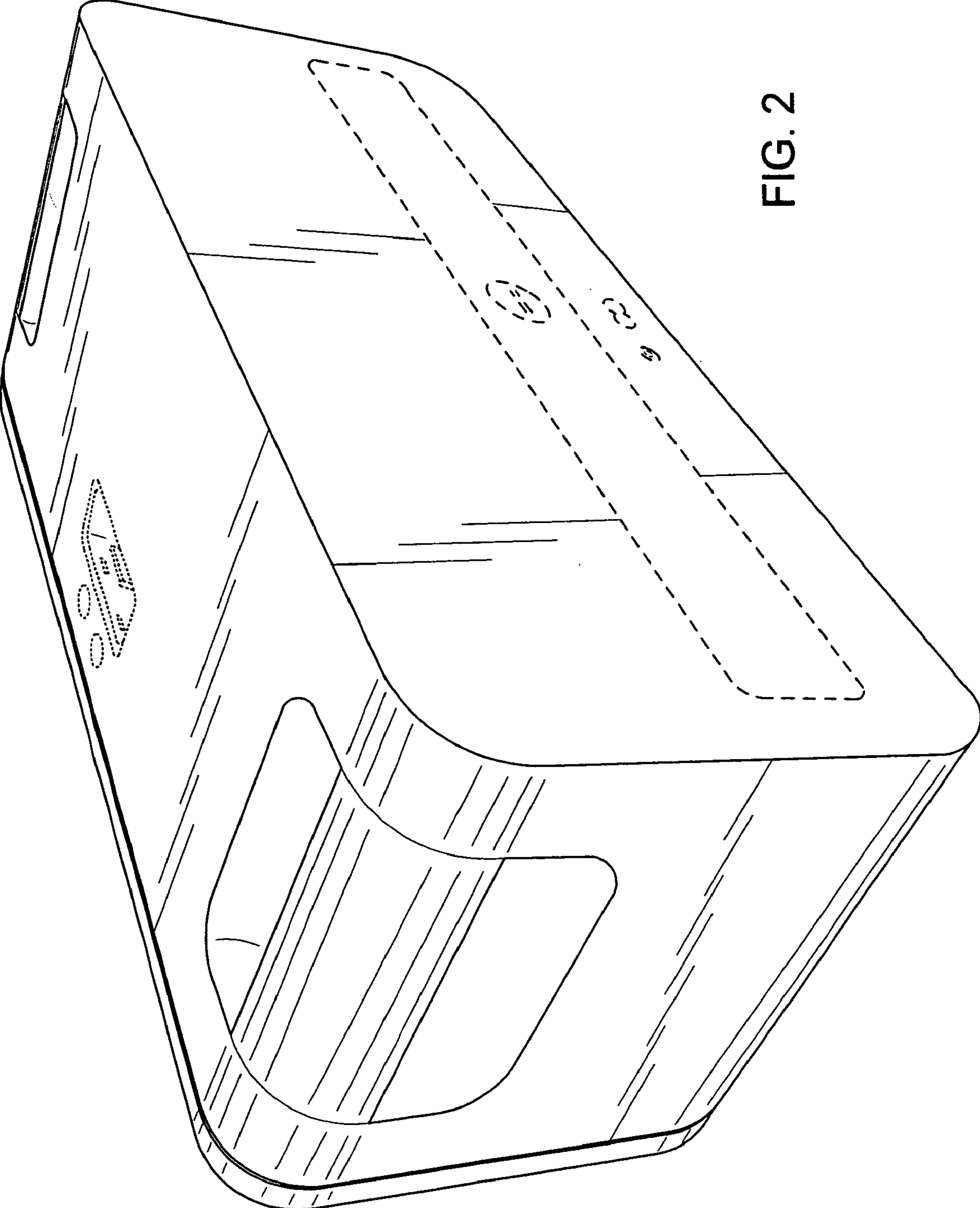


FIG. 2

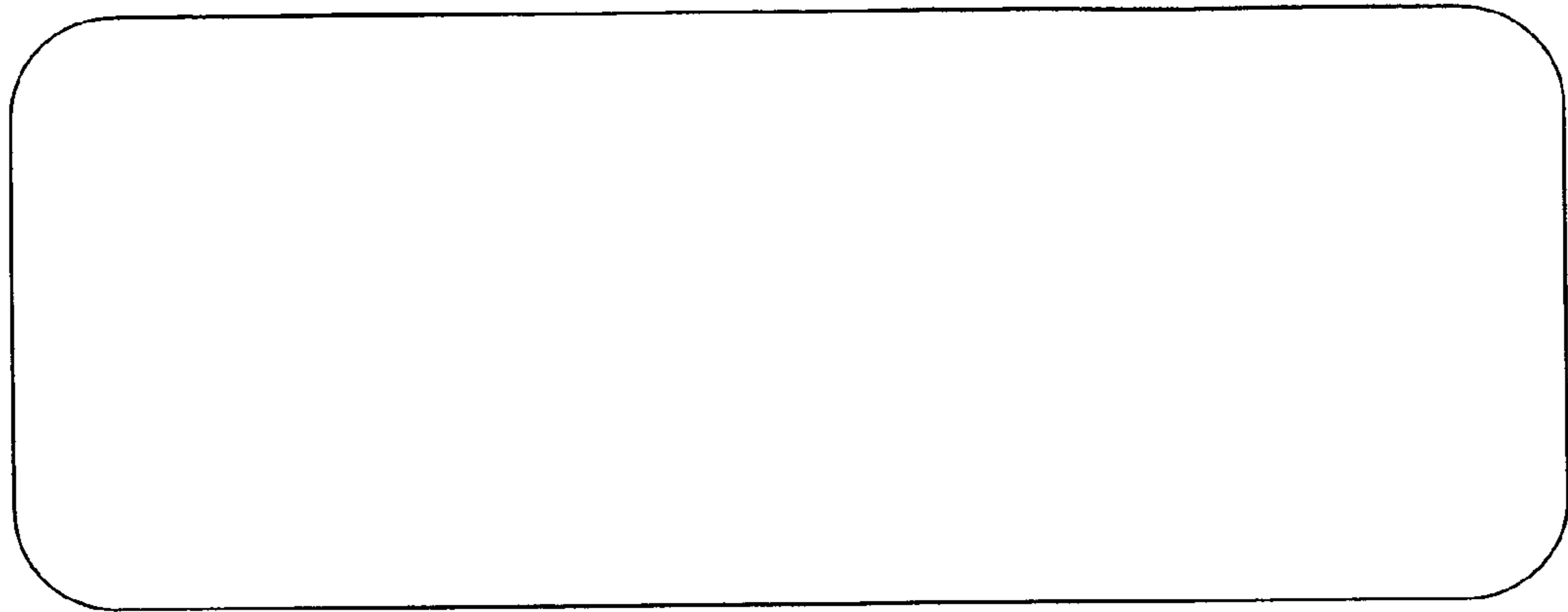


FIG. 3

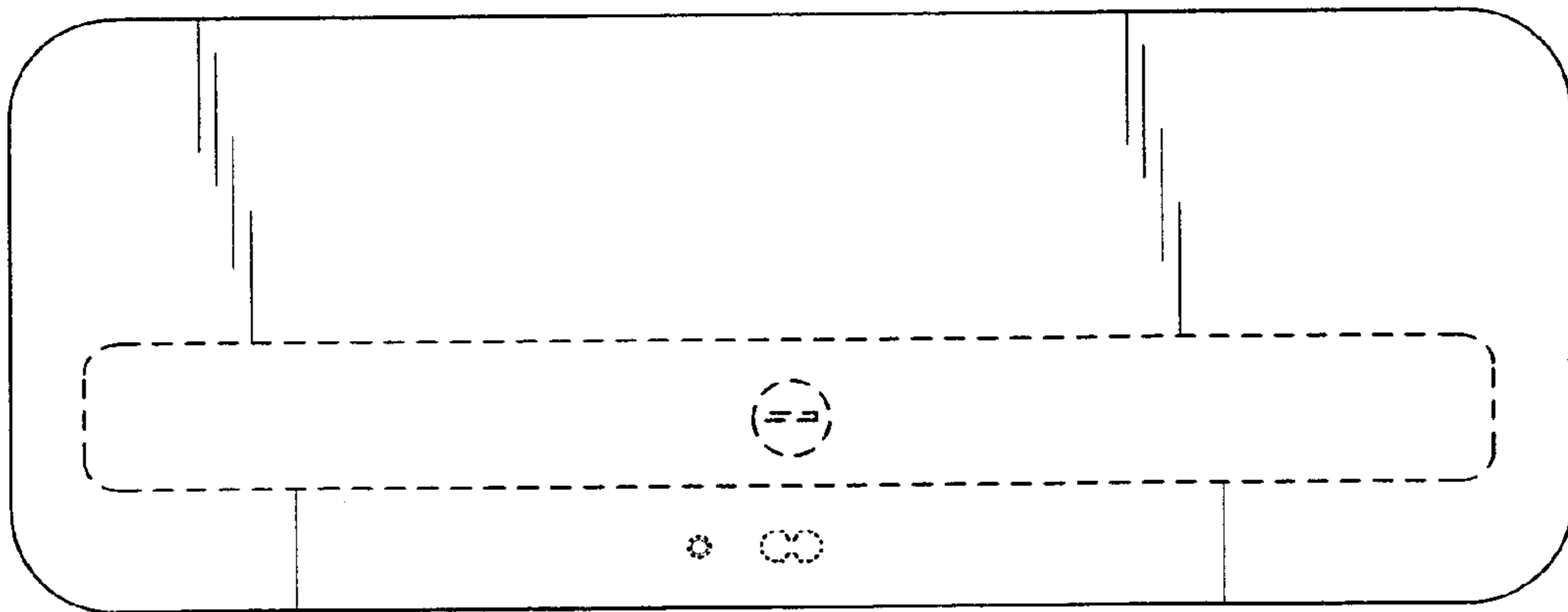


FIG. 4

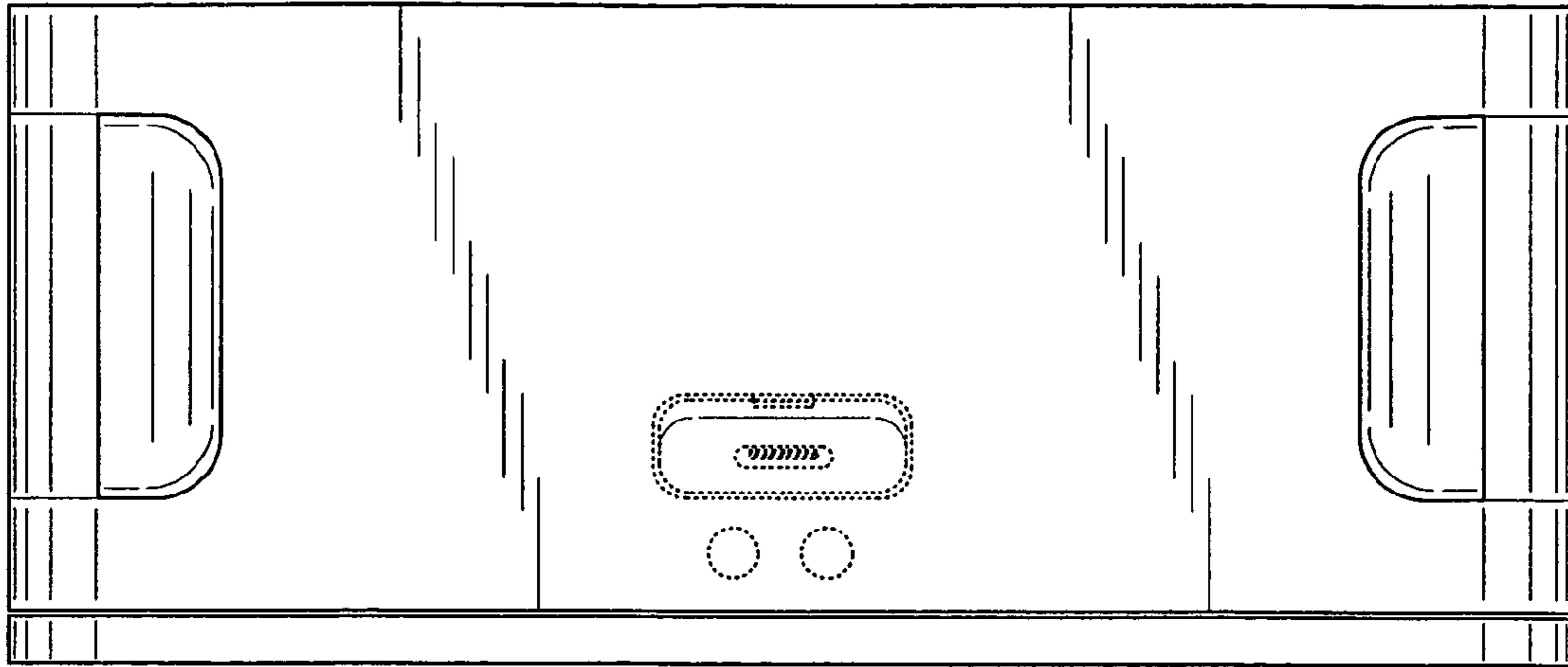


FIG. 5

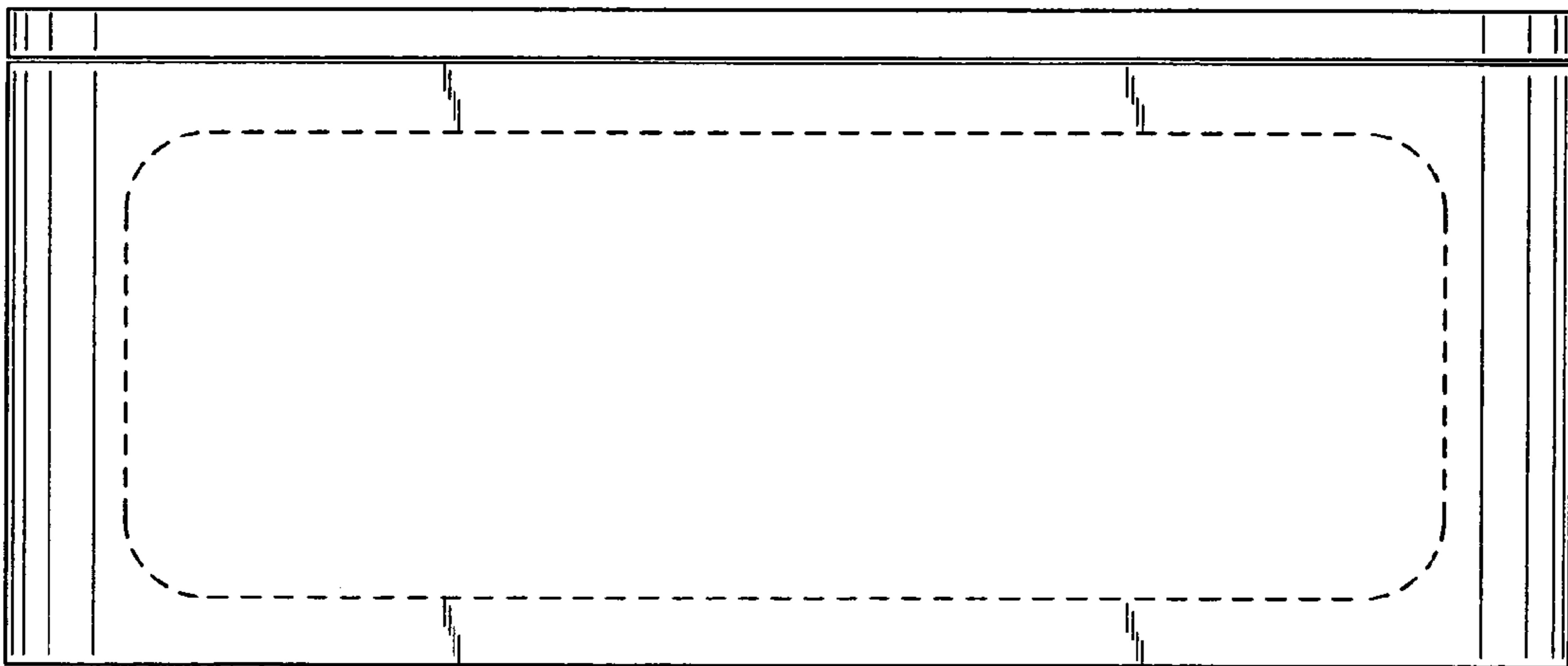


FIG. 6

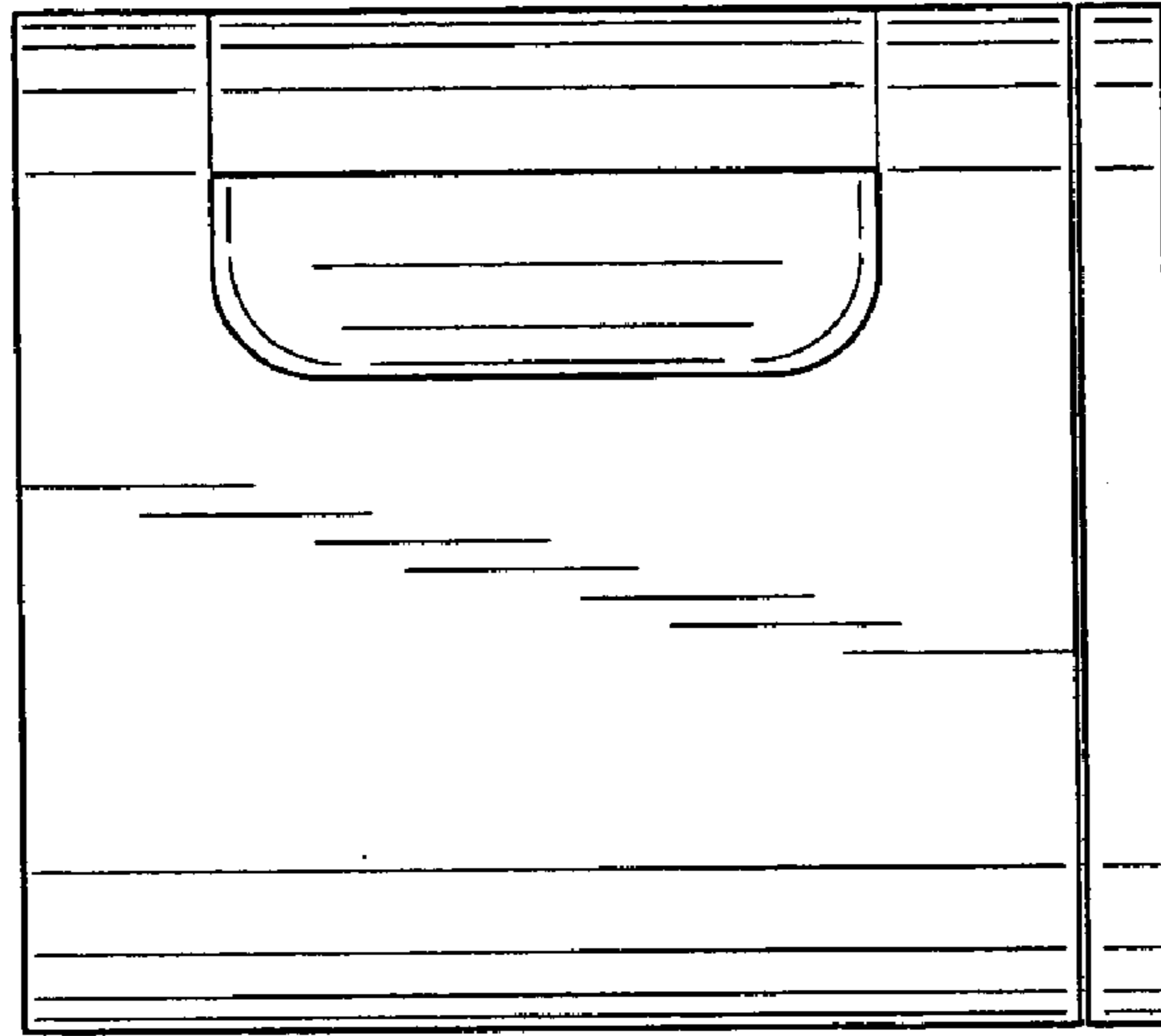


FIG. 7

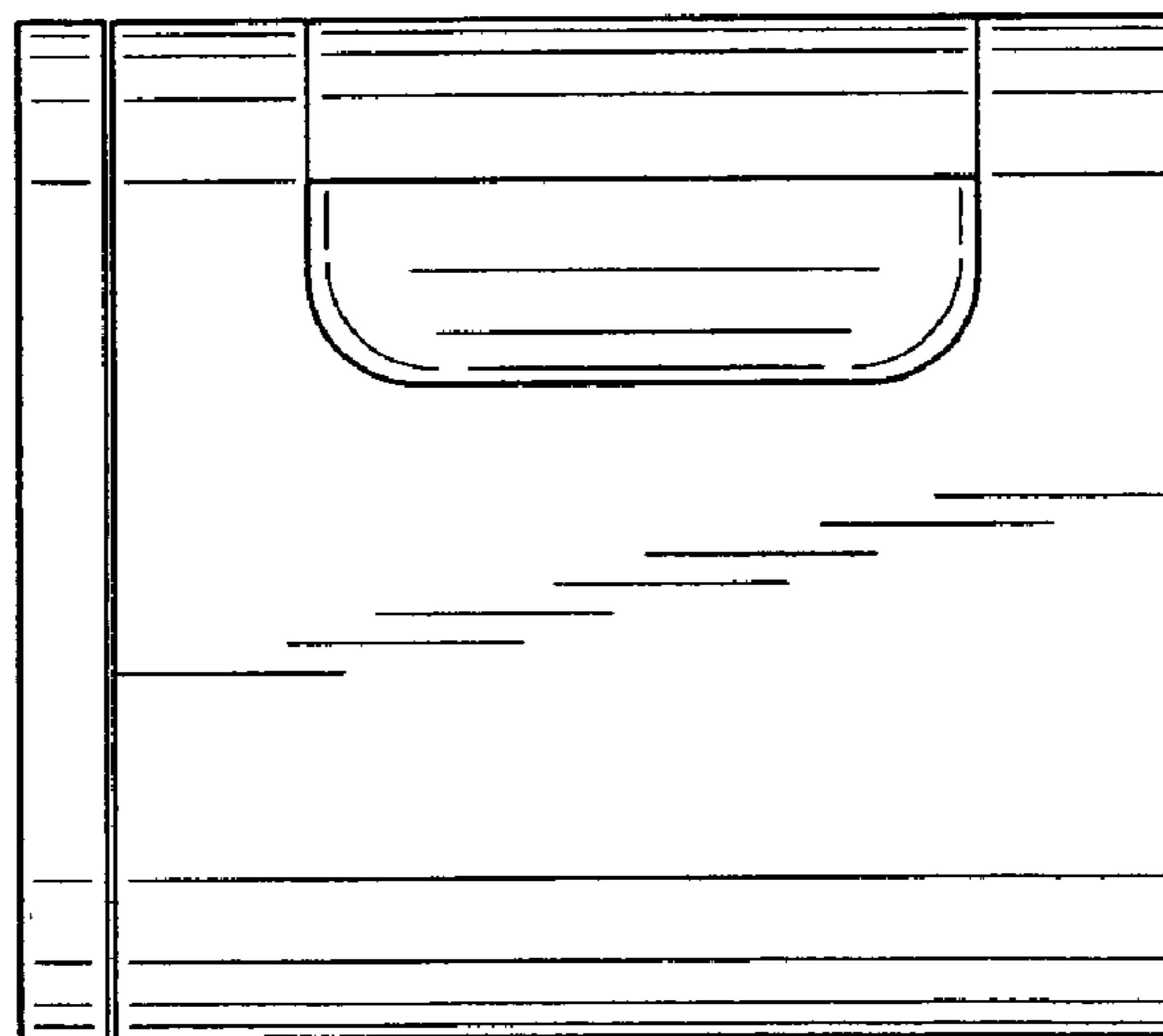


FIG. 8

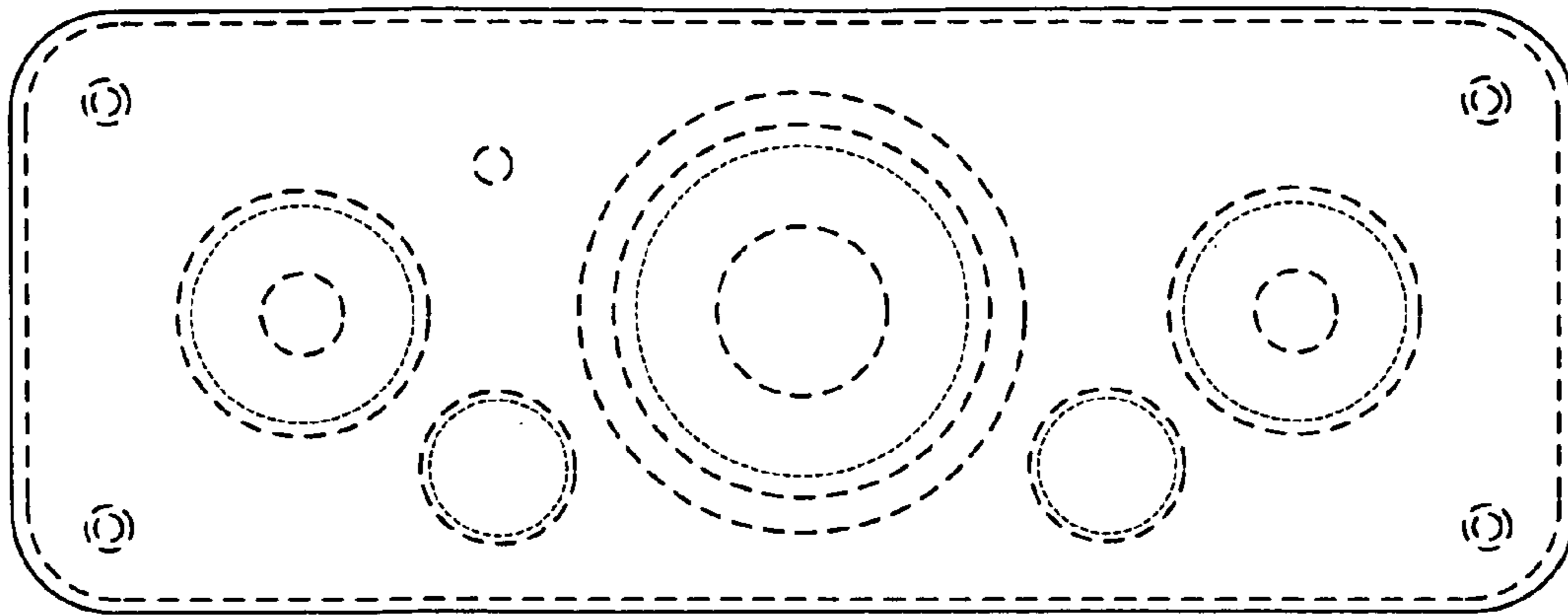


FIG. 9

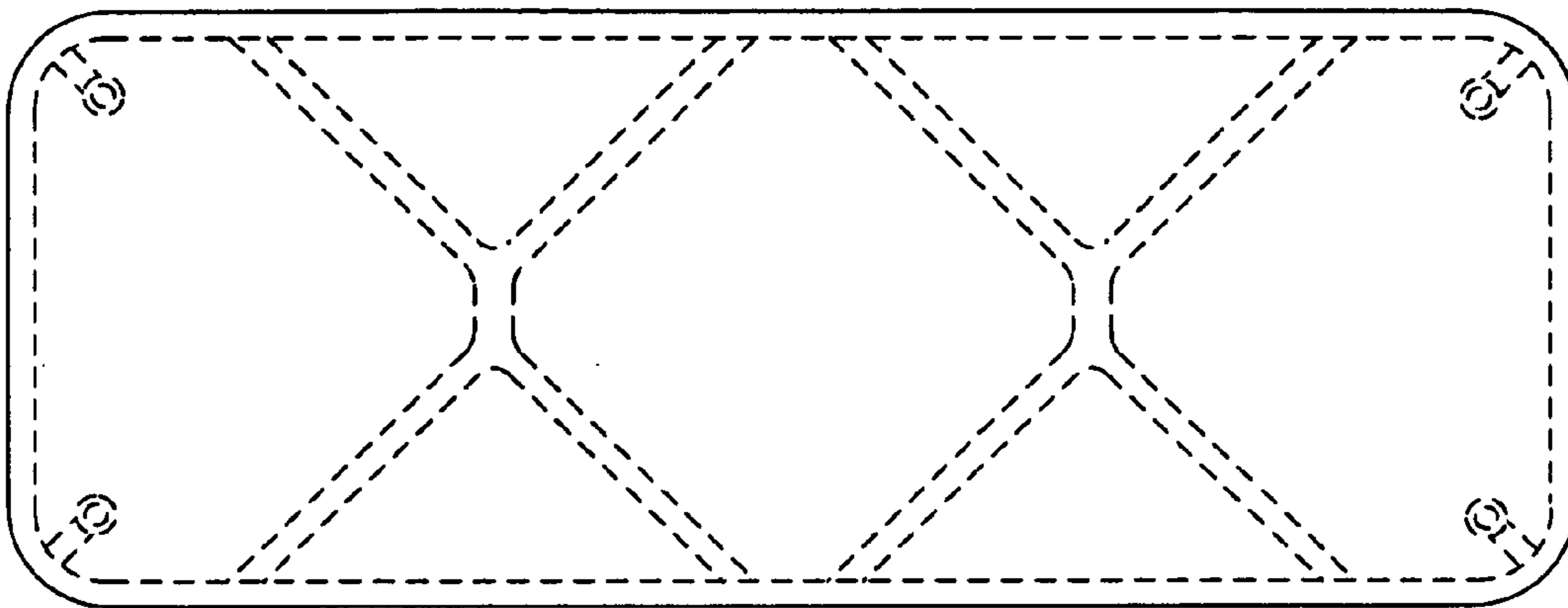


FIG. 10

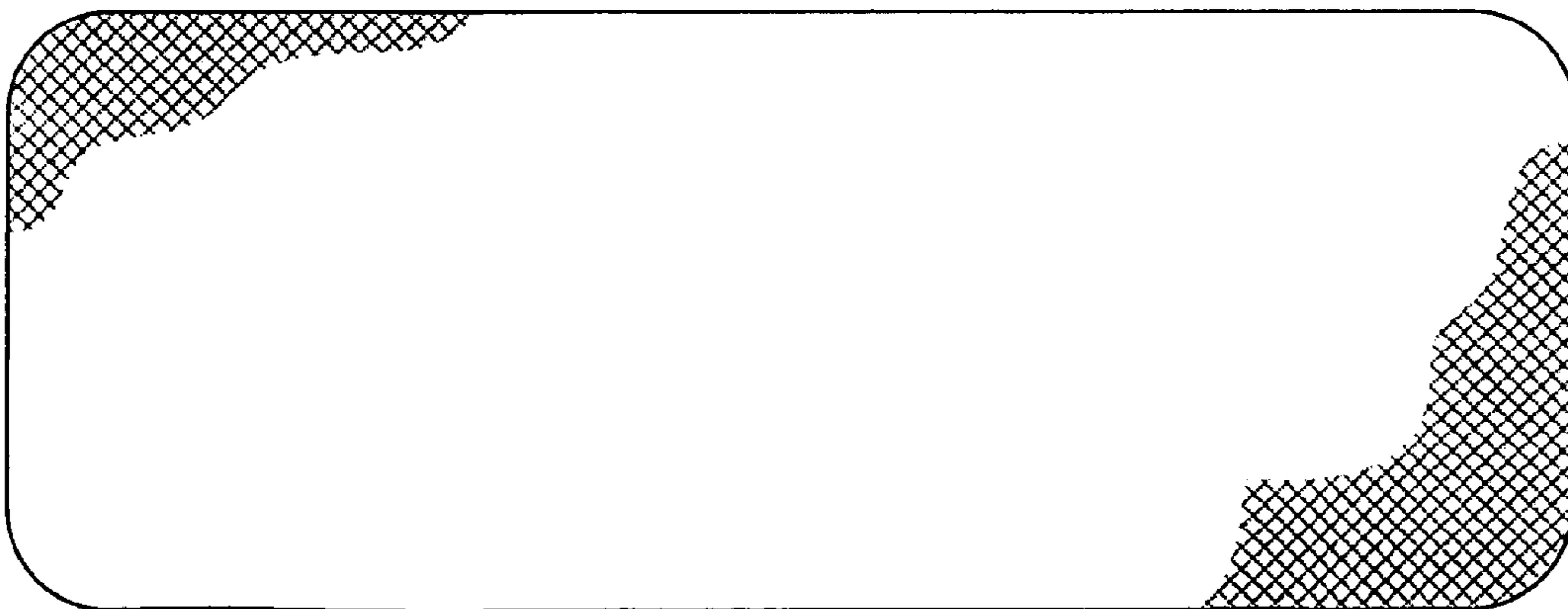


FIG. 11