

US00D560654S

(12) **United States Design Patent**
Feng

(10) **Patent No.:** **US D560,654 S**
(45) **Date of Patent:** **** Jan. 29, 2008**

(54) **HEADPHONE**

(75) Inventor: **Chao-Nan Feng**, Chung Ho (TW)

(73) Assignee: **Toong In Electronic Corp.**, Taipei
Hsien (TW)

(**) Term: **14 Years**

(21) Appl. No.: **29/266,536**

(22) Filed: **Sep. 25, 2006**

(51) **LOC (8) Cl.** **14-01**

(52) **U.S. Cl.** **D14/205**

(58) **Field of Classification Search** D14/205,
D14/206, 223, 249, 192, 188; 2/209, 209.11,
2/423; 181/129, 137, 130; 379/430, 431,
379/444; 381/183, 187, 188, 381; D29/122;
128/864, 866

See application file for complete search history.

(56) **References Cited**

U.S. PATENT DOCUMENTS

1,558,191	A	*	10/1925	Lindemann	181/129
2,801,423	A	*	8/1957	Shaw et al.	2/209
D246,259	S	*	11/1977	Nishimura et al.	D14/205
D246,519	S	*	11/1977	Kato	D14/205
D270,634	S	*	9/1983	Ungar	D14/205
D292,205	S	*	10/1987	Kikutani	D14/205

D313,092	S	*	12/1990	Nilsson	D29/112
D338,010	S	*	8/1993	Yamatogi	D14/205
D353,818	S	*	12/1994	Nakamura	D14/205
5,406,037	A	*	4/1995	Nageno et al.	181/129
D435,249	S	*	12/2000	Yasutomi	D14/205
D457,874	S	*	5/2002	Yoneda	D14/205
D514,087	S	*	1/2006	Wilson et al.	D14/206

* cited by examiner

Primary Examiner—Paula A. Greene

(74) *Attorney, Agent, or Firm*—Troxell Law Office, PLLC

(57) **CLAIM**

The ornamental design for a headphone, as shown and described.

DESCRIPTION

FIG. 1 is a perspective view of a headphone, the cord is drawn broken away for purposes of illustration;

FIG. 2 is a front view thereof;

FIG. 3 is a back view thereof;

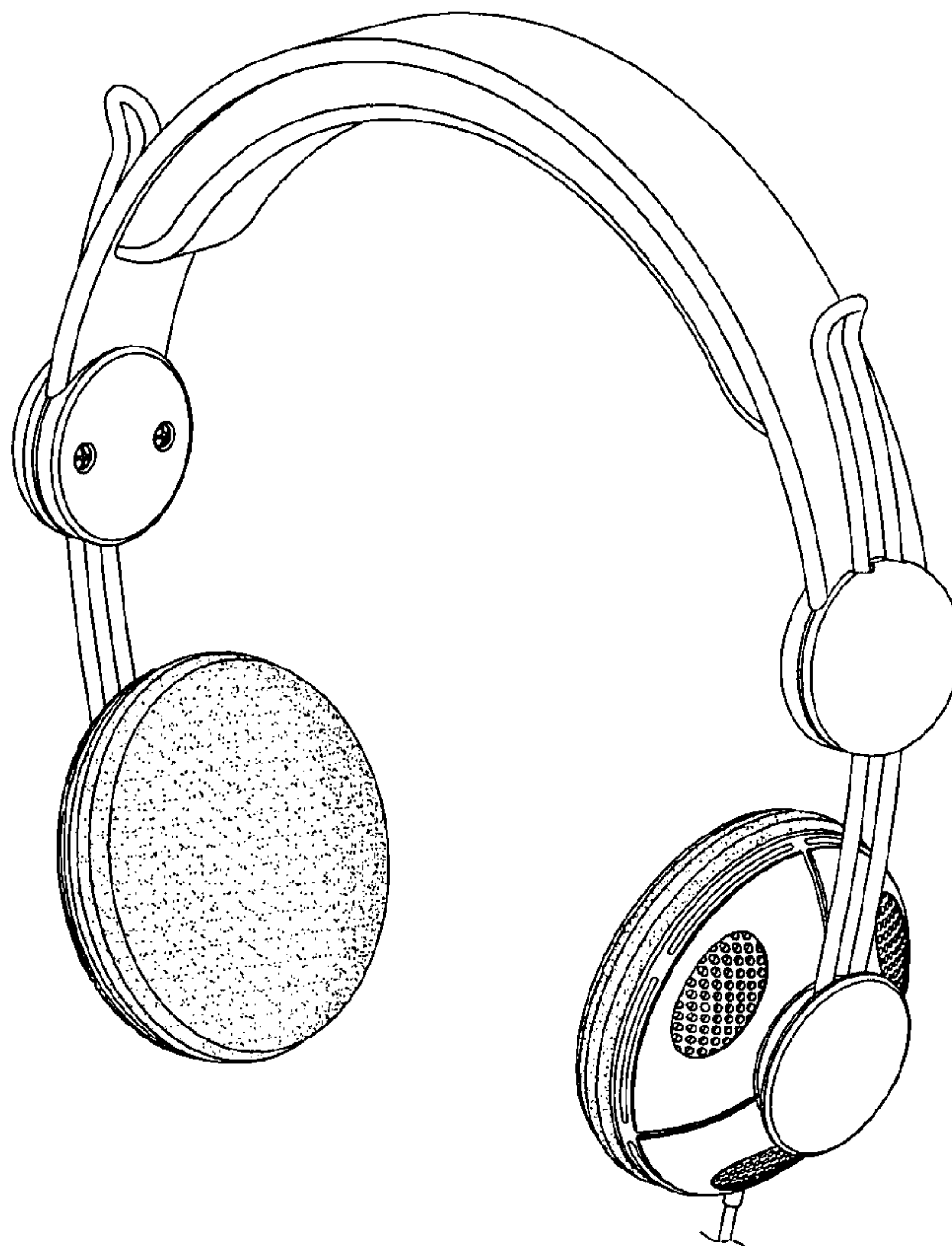
FIG. 4 is a left side view thereof;

FIG. 5 is a right side view thereof;

FIG. 6 is a top view thereof; and,

FIG. 7 is a bottom view thereof.

1 Claim, 5 Drawing Sheets



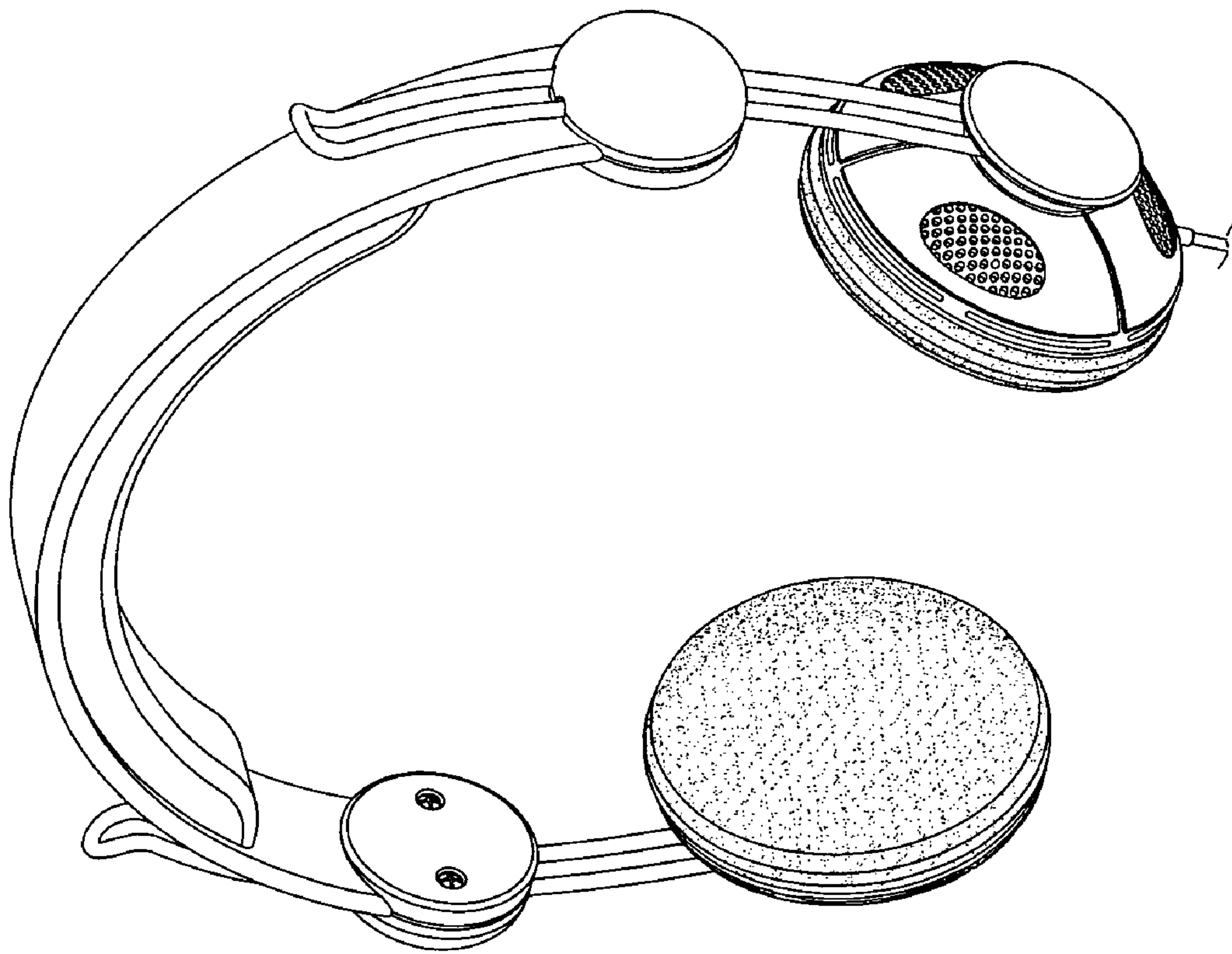


FIG.1

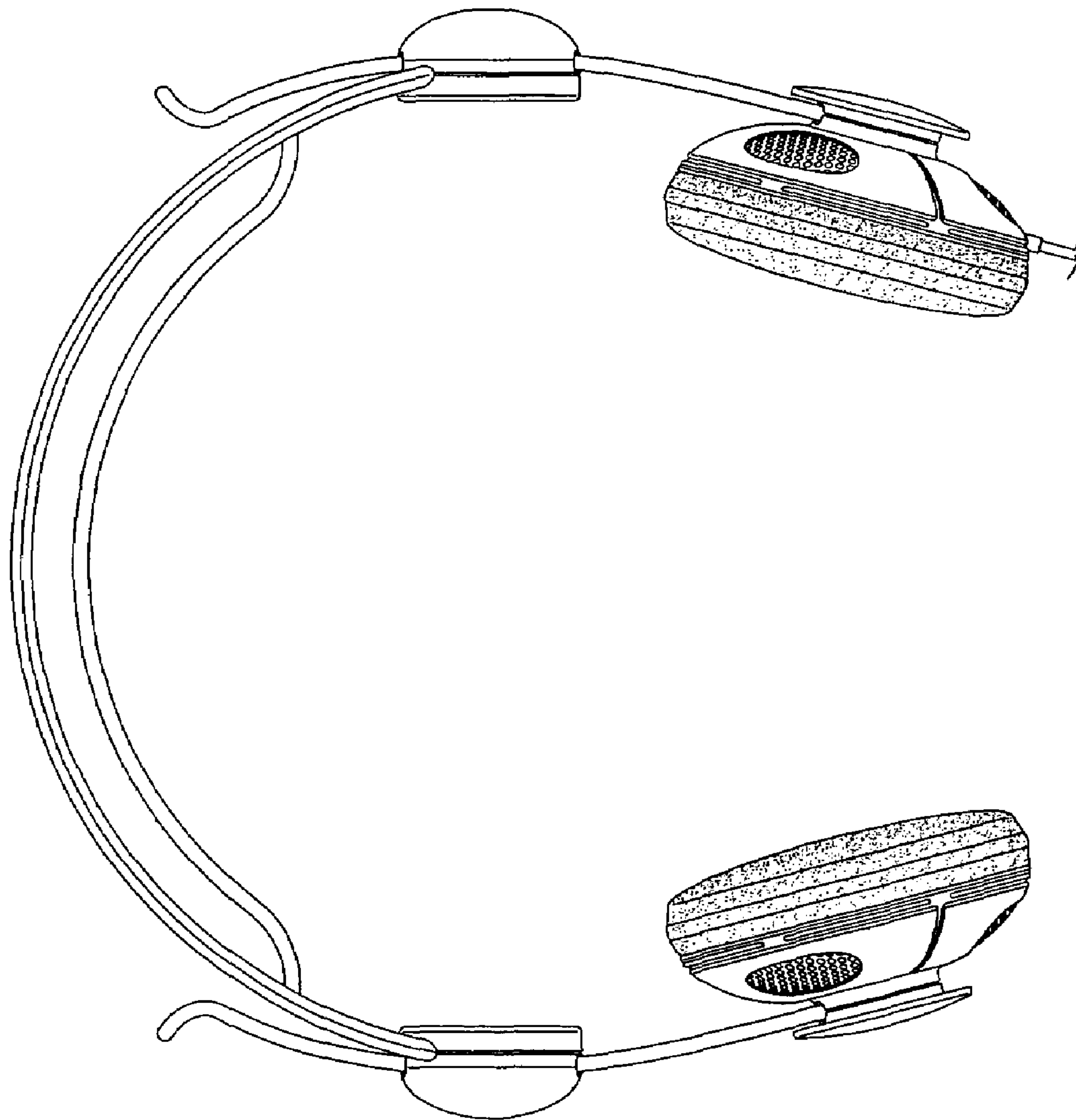


FIG.2

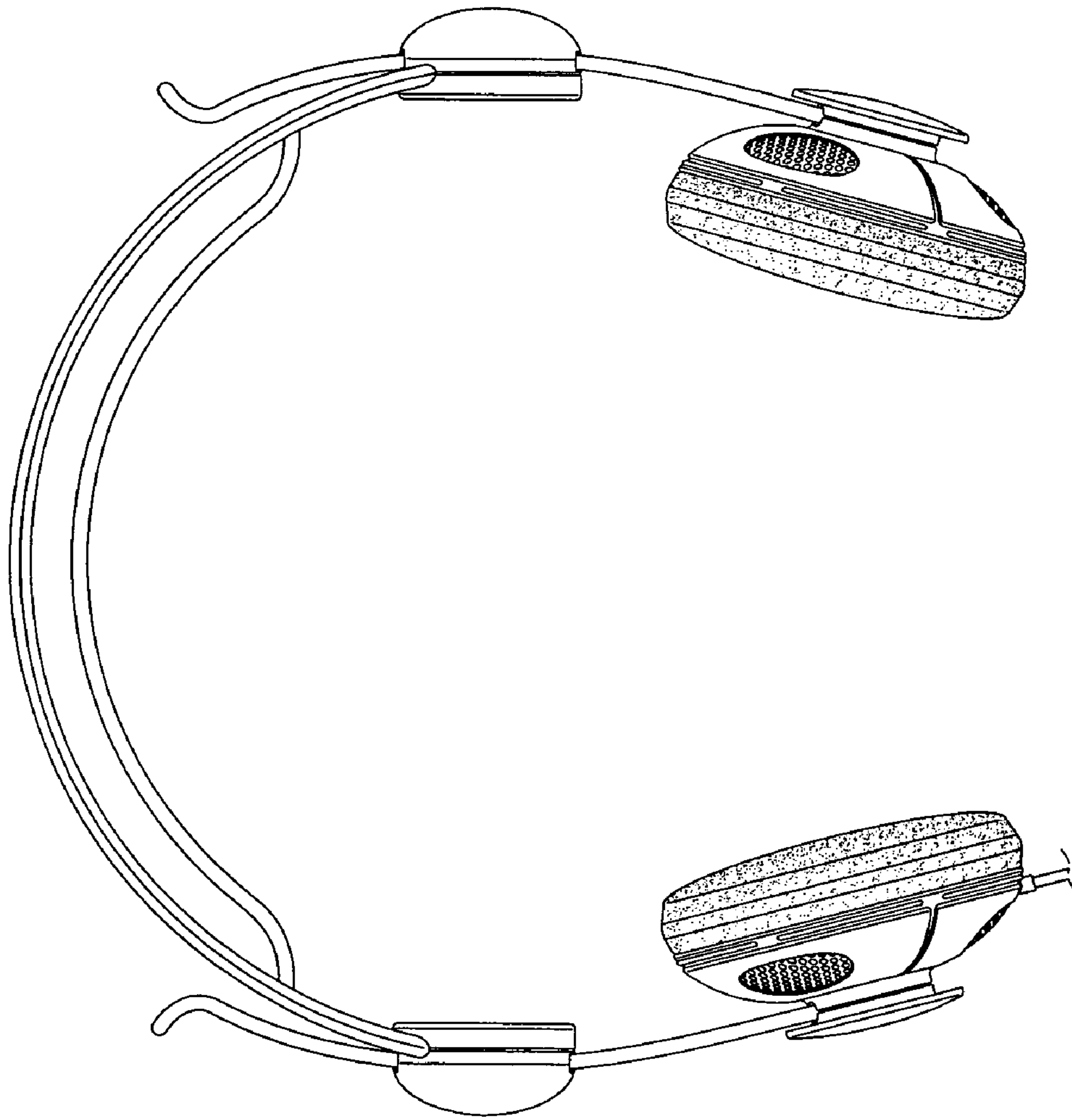


FIG. 3

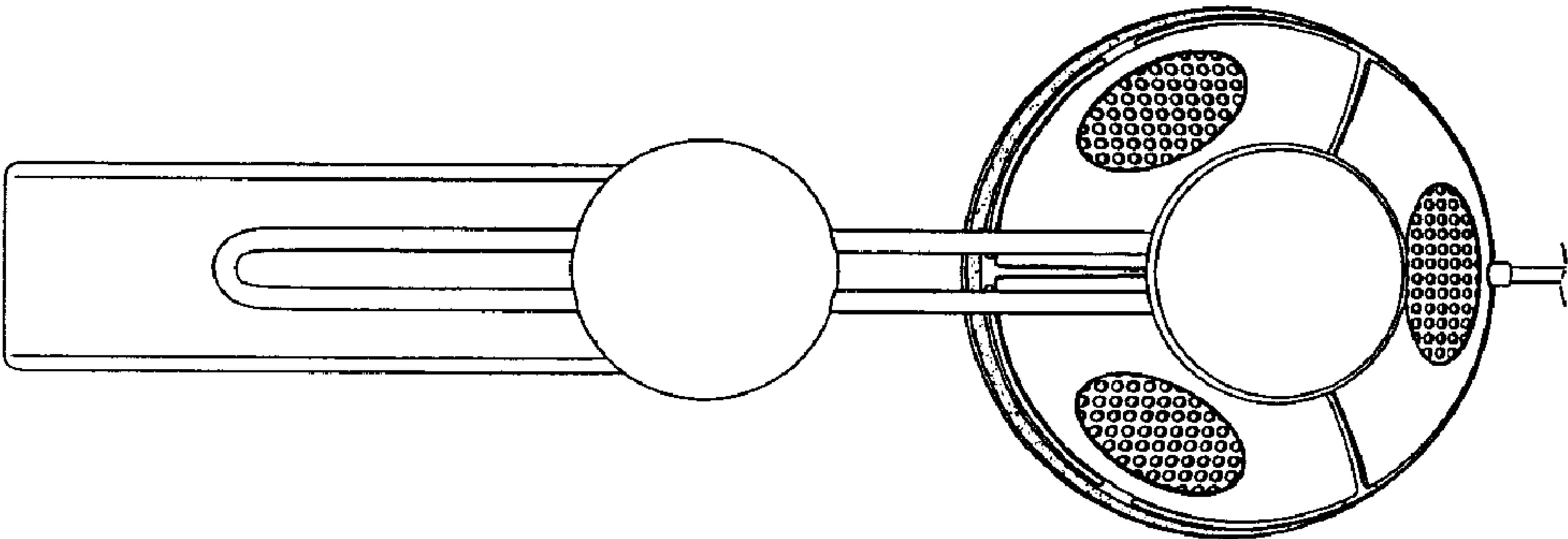


FIG.5

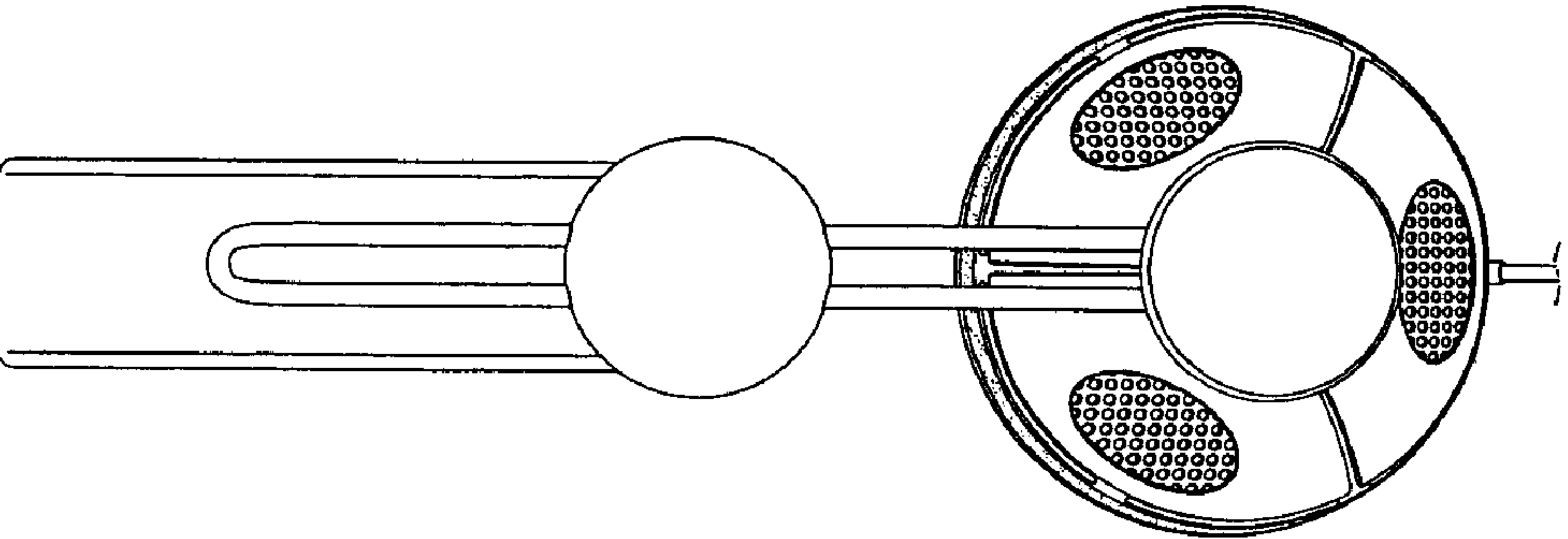


FIG.4

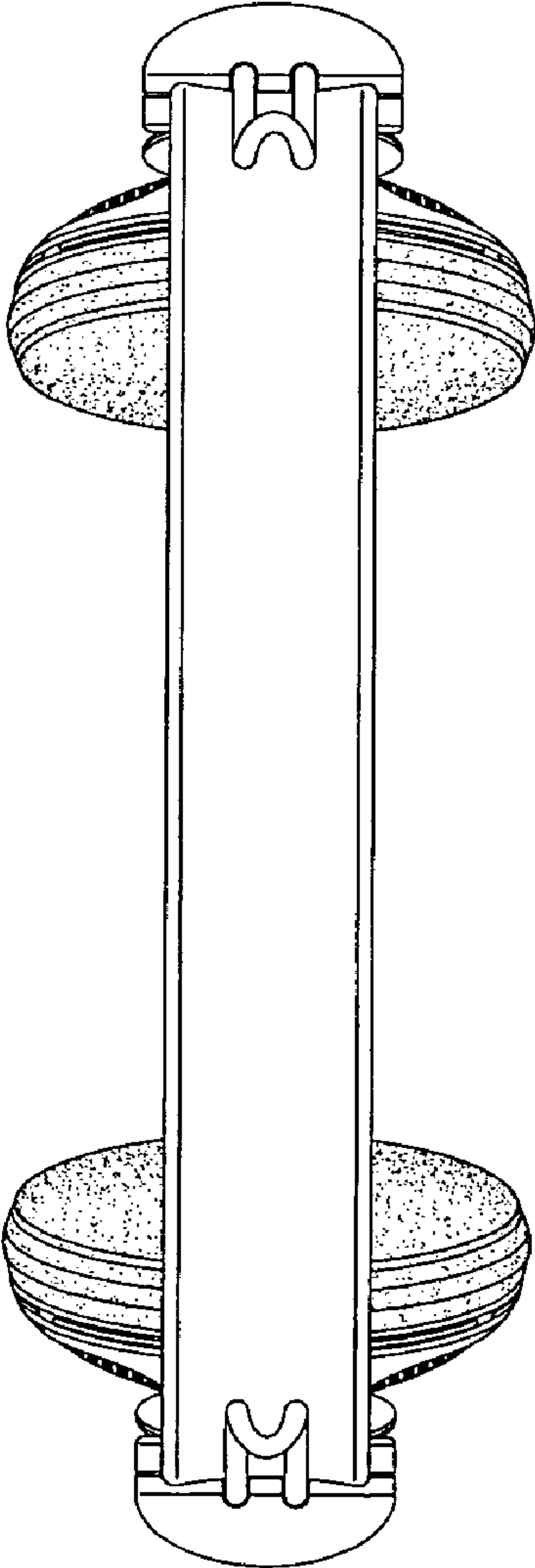


FIG. 6

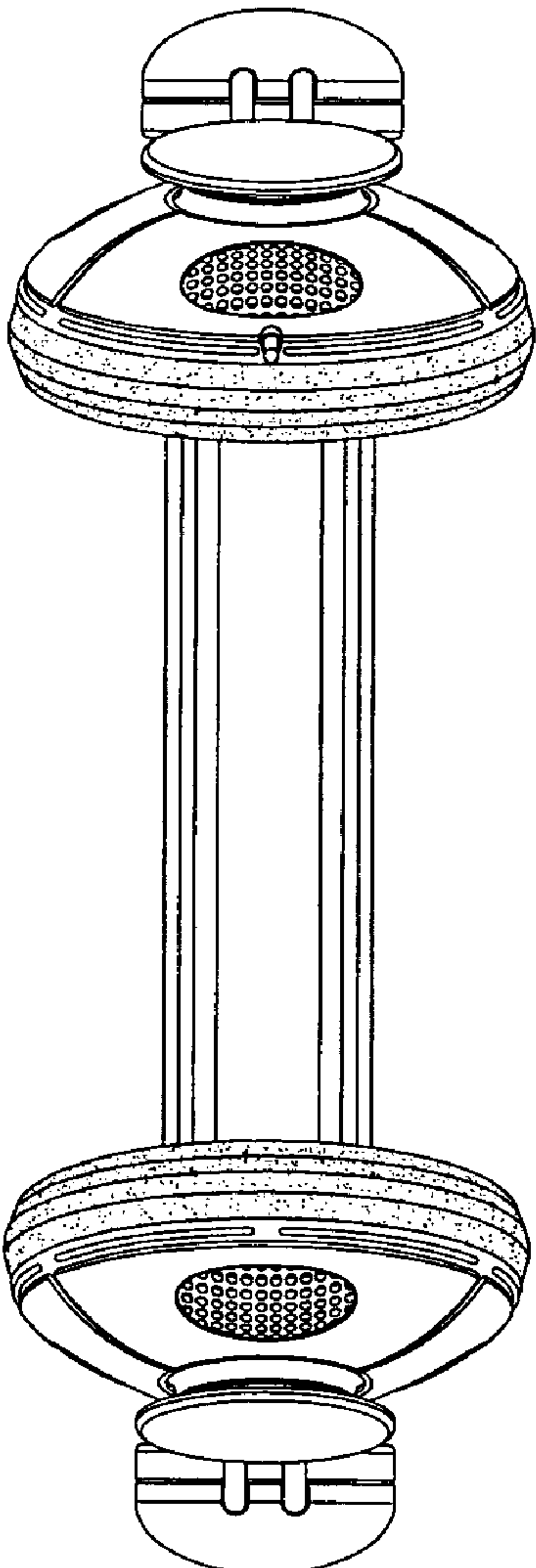


FIG. 7