



US00D560653S

(12) **United States Design Patent**
Au Yeung

(10) **Patent No.:** **US D560,653 S**
(45) **Date of Patent:** **** Jan. 29, 2008**

(54) **ARMBAND RADIO**

(75) Inventor: **Kwok Keung Au Yeung**, New Territories (HK)

(73) Assignee: **Ariel Premium Supply, Inc.**, St. Louis, MO (US)

(**) Term: **14 Years**

(21) Appl. No.: **29/254,436**

(22) Filed: **Feb. 22, 2006**

(51) **LOC (8) Cl.** **14-03**

(52) **U.S. Cl.** **D14/192**

(58) **Field of Classification Search** D14/137,
D14/170-171, 188-193, 197, 198, 217, 265,
D14/496, 155; 369/6-12; 455/90.1-90.3,
455/91-100, 128

See application file for complete search history.

(56) **References Cited**

U.S. PATENT DOCUMENTS

D319,031 S *	8/1991	Levinson	D10/106
D359,311 S *	6/1995	Stangarone	D20/10
D393,466 S *	4/1998	Scheid et al.	D14/191
D406,827 S *	3/1999	Huang et al.	D21/333
D453,924 S *	2/2002	Chen	D14/188
D496,344 S *	9/2004	Chen	D14/171
D504,125 S *	4/2005	Tien	D14/188
D525,538 S *	7/2006	Oas	D10/40
D525,889 S *	8/2006	Oas	D10/70

D531,072 S *	10/2006	Au Yeung	D10/70
D531,161 S *	10/2006	Chen	D14/171
D548,058 S *	8/2007	Joachim et al.	D8/356

OTHER PUBLICATIONS

Ariel Premium Supply Inc., "Strap N'Stride Armband Radio", <http://www.4arielpremium.com>, Aug. 14, 2007, 1pg.*

* cited by examiner

Primary Examiner—Stella M. Reid

Assistant Examiner—Keli' L. Acker

(74) *Attorney, Agent, or Firm*—Intellectual Property Law Group LLP; Otto O. Lee; Juneko Jackson

(57) **CLAIM**

The ornamental design for an armband radio, as shown and described.

DESCRIPTION

FIG. 1 is a perspective view of an armband radio embodying my design;

FIG. 2 is a front elevational view thereof;

FIG. 3 is a rear elevational view thereof;

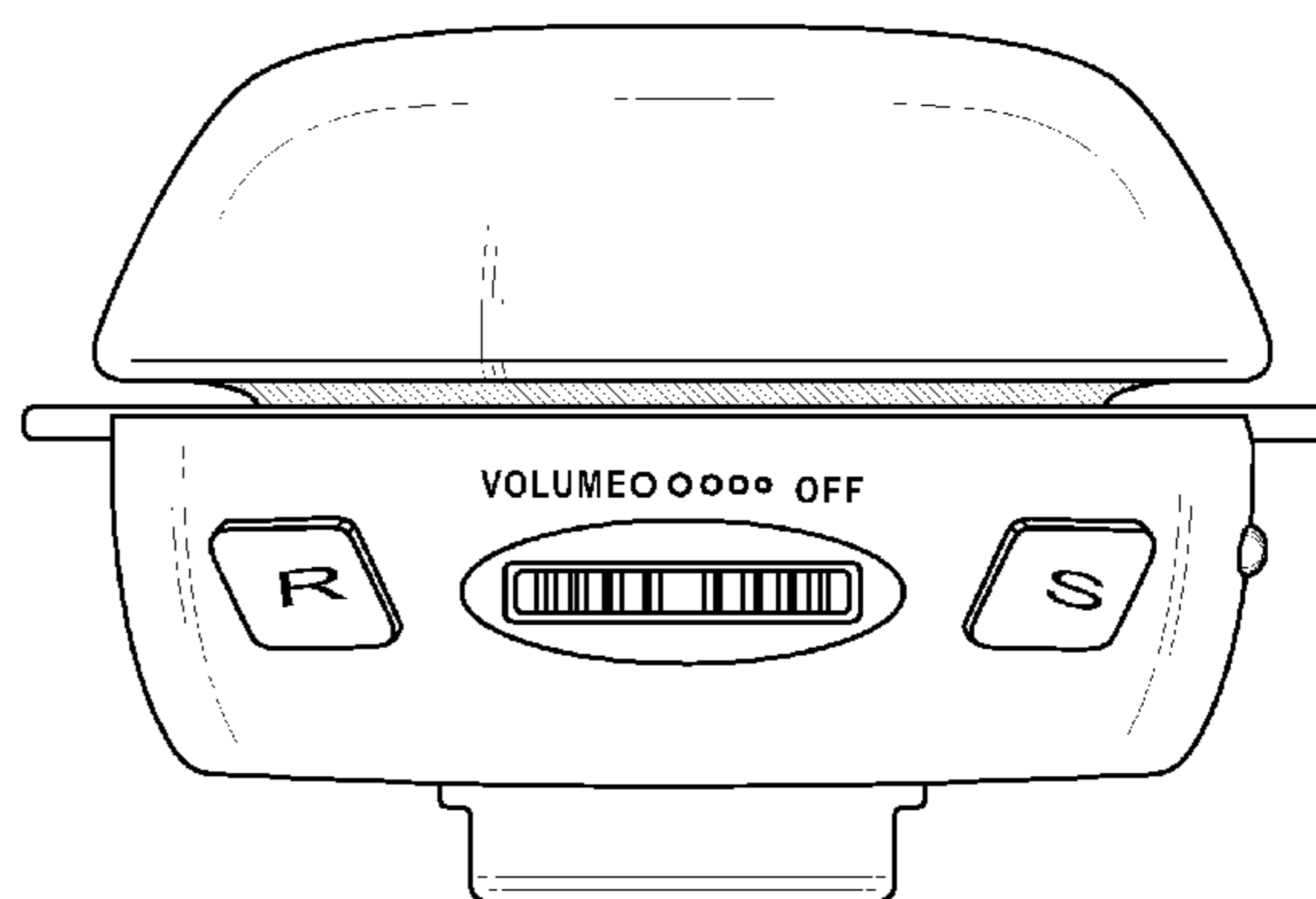
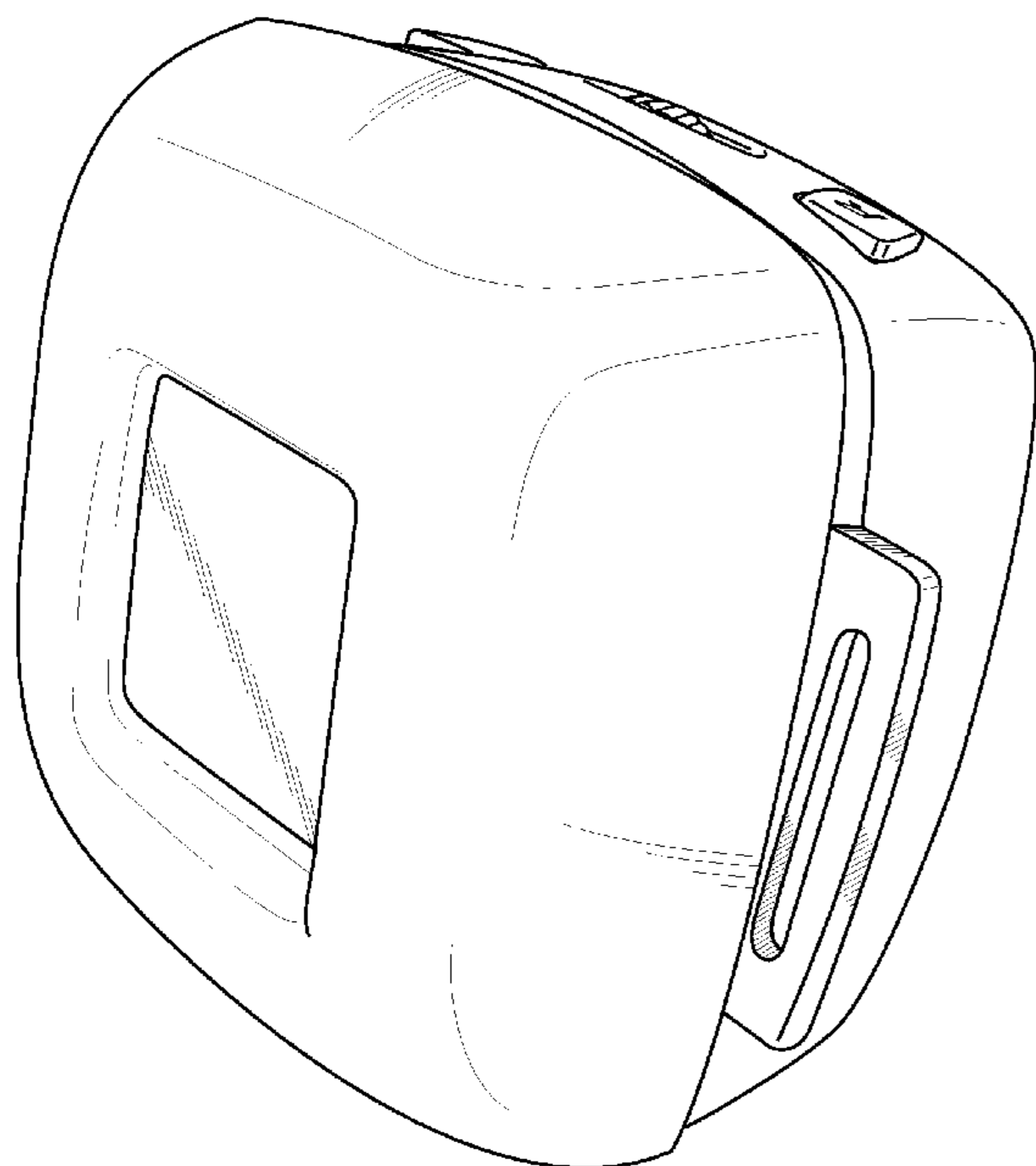
FIG. 4 is a top plan view thereof;

FIG. 5 is a bottom plan view thereof;

FIG. 6 is a right side view thereof; and,

FIG. 7 is a left side view thereof.

1 Claim, 4 Drawing Sheets



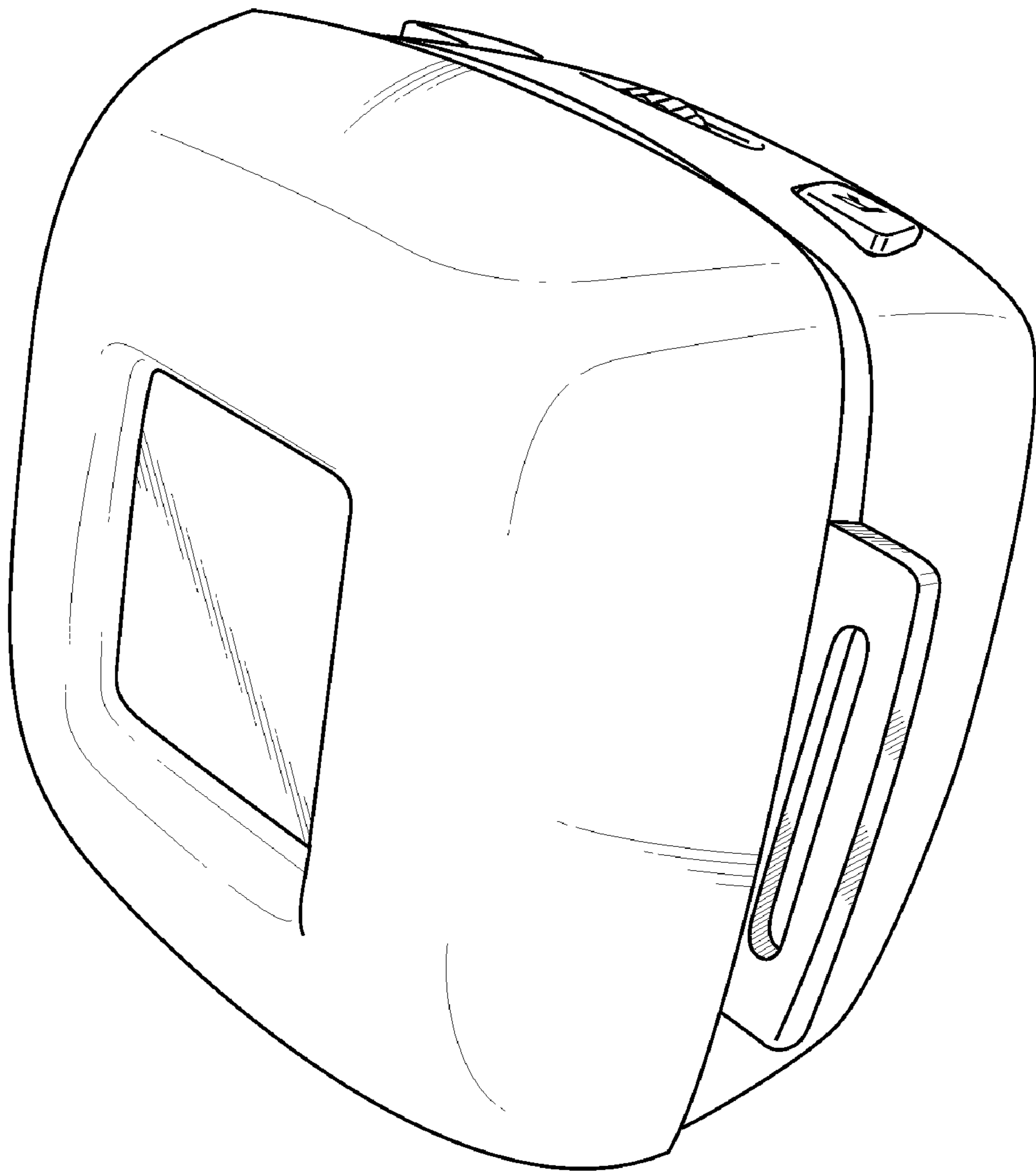


FIG. 1

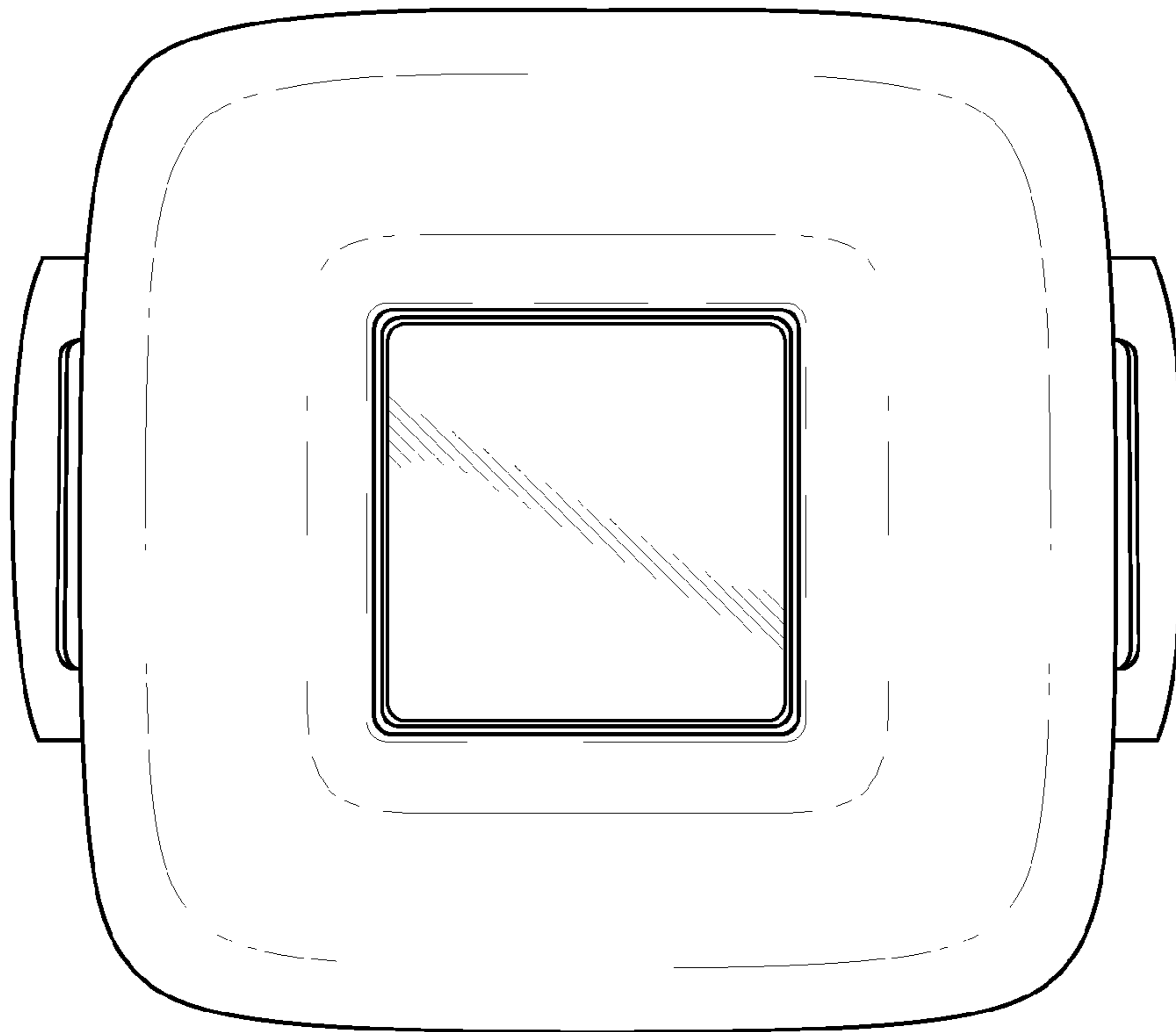


FIG. 2

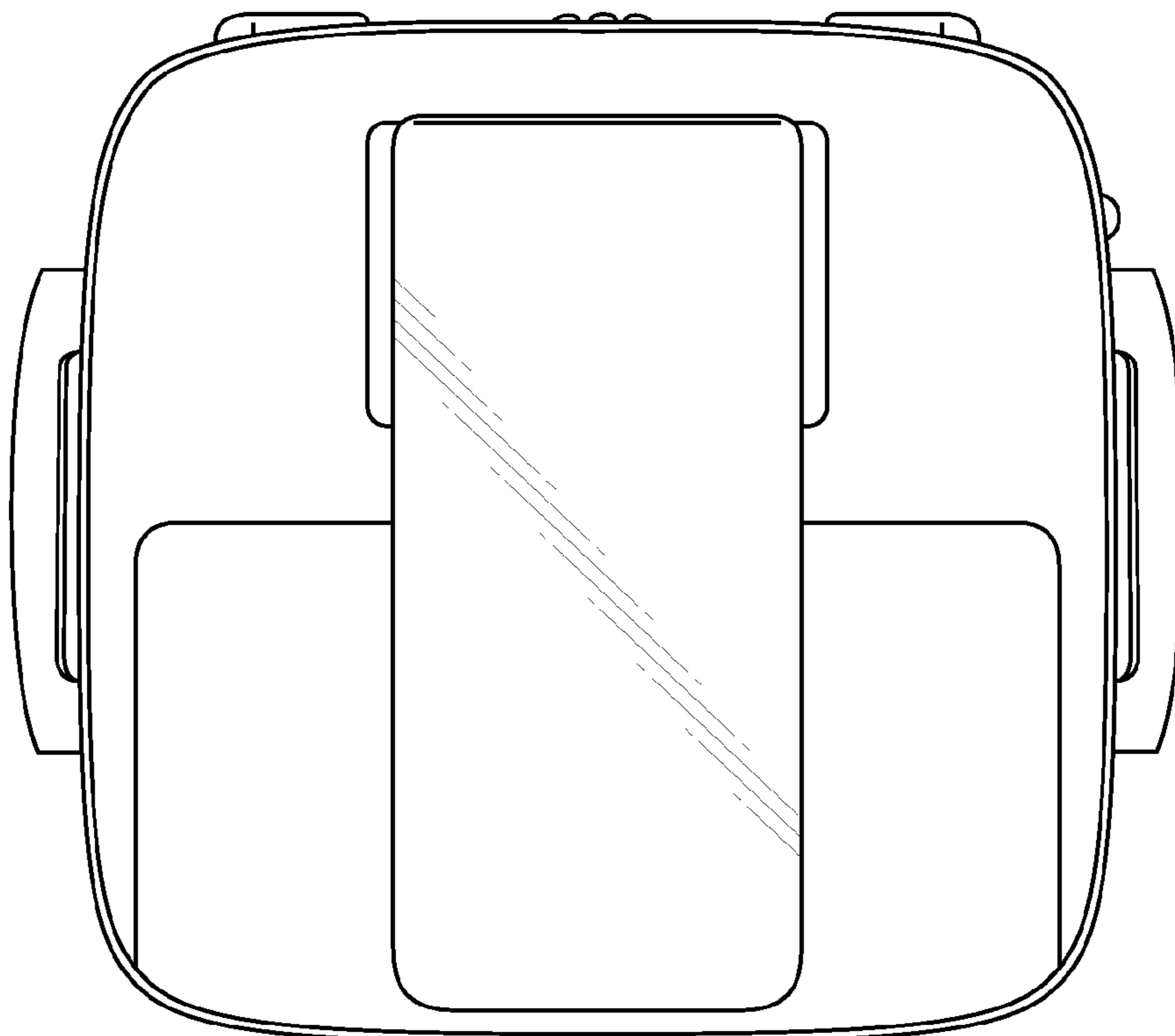


FIG. 3

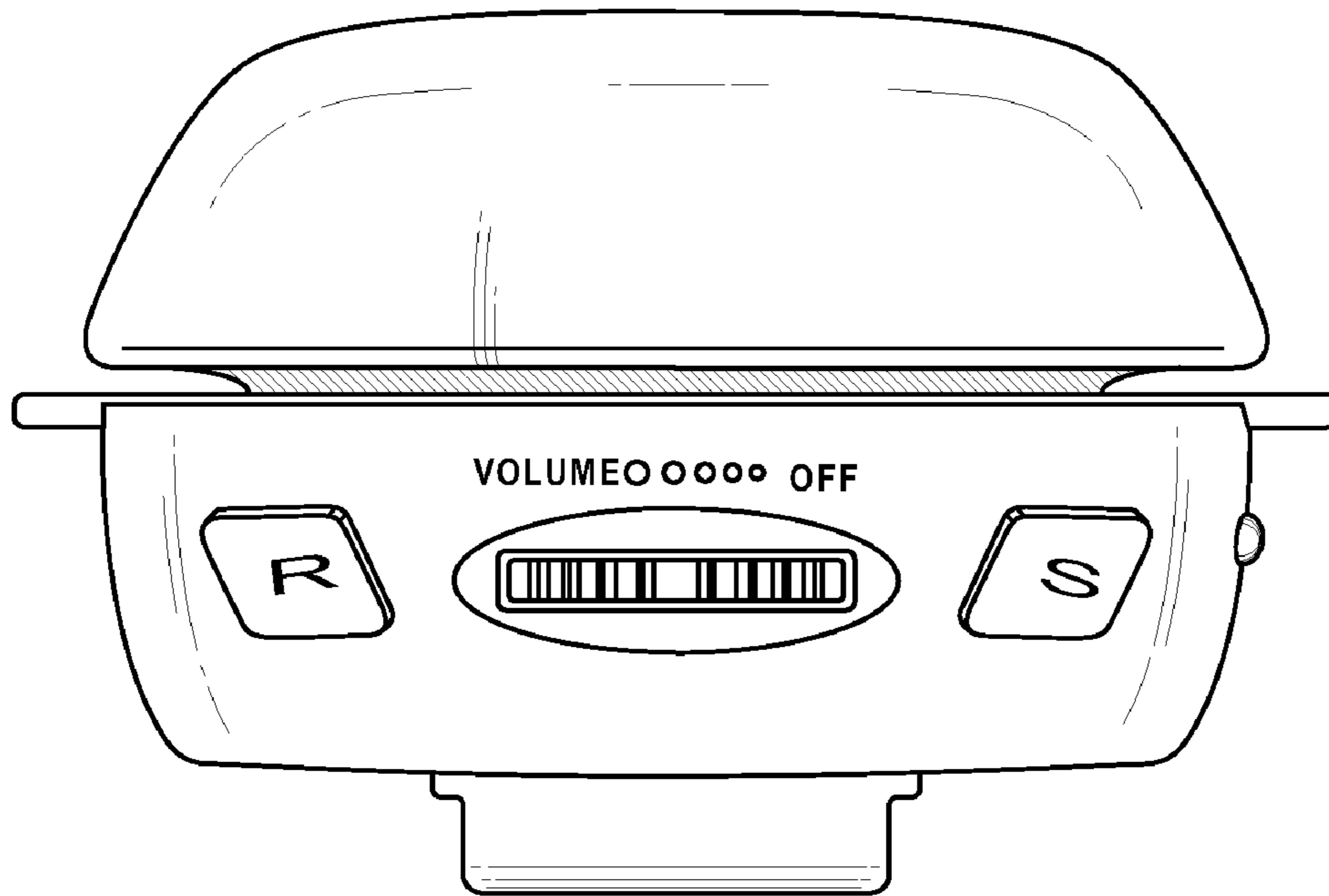


FIG. 4

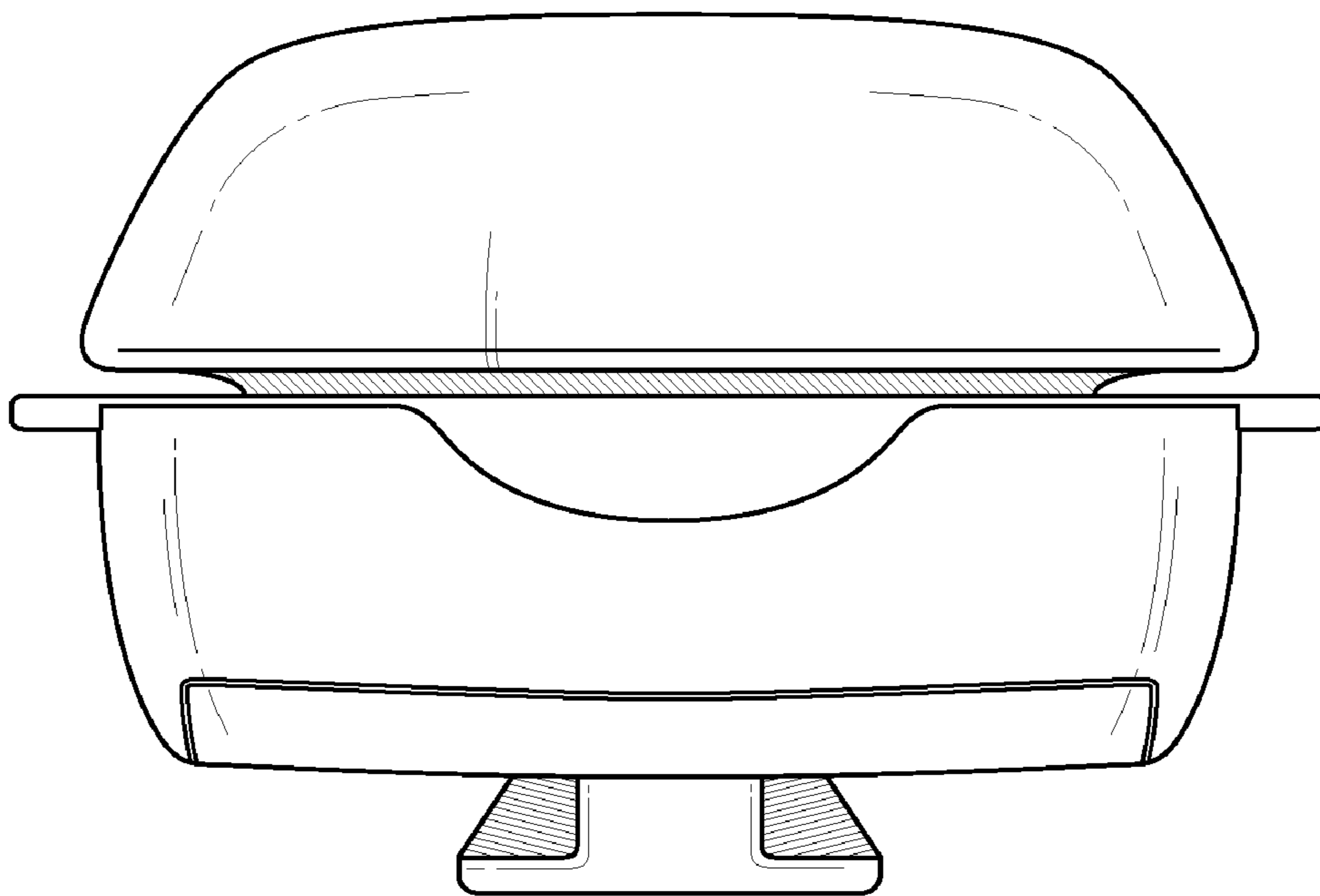


FIG. 5

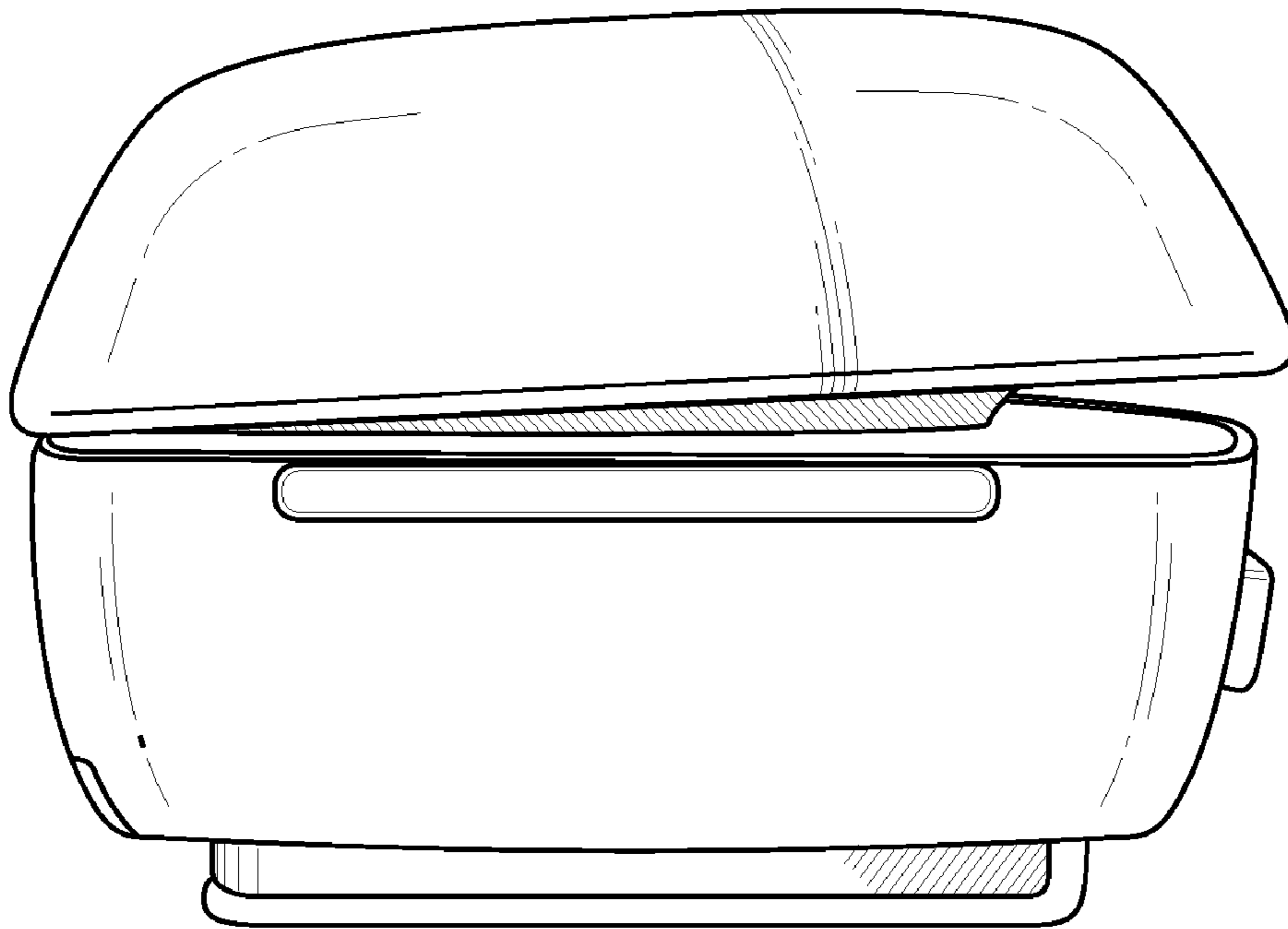


FIG. 6

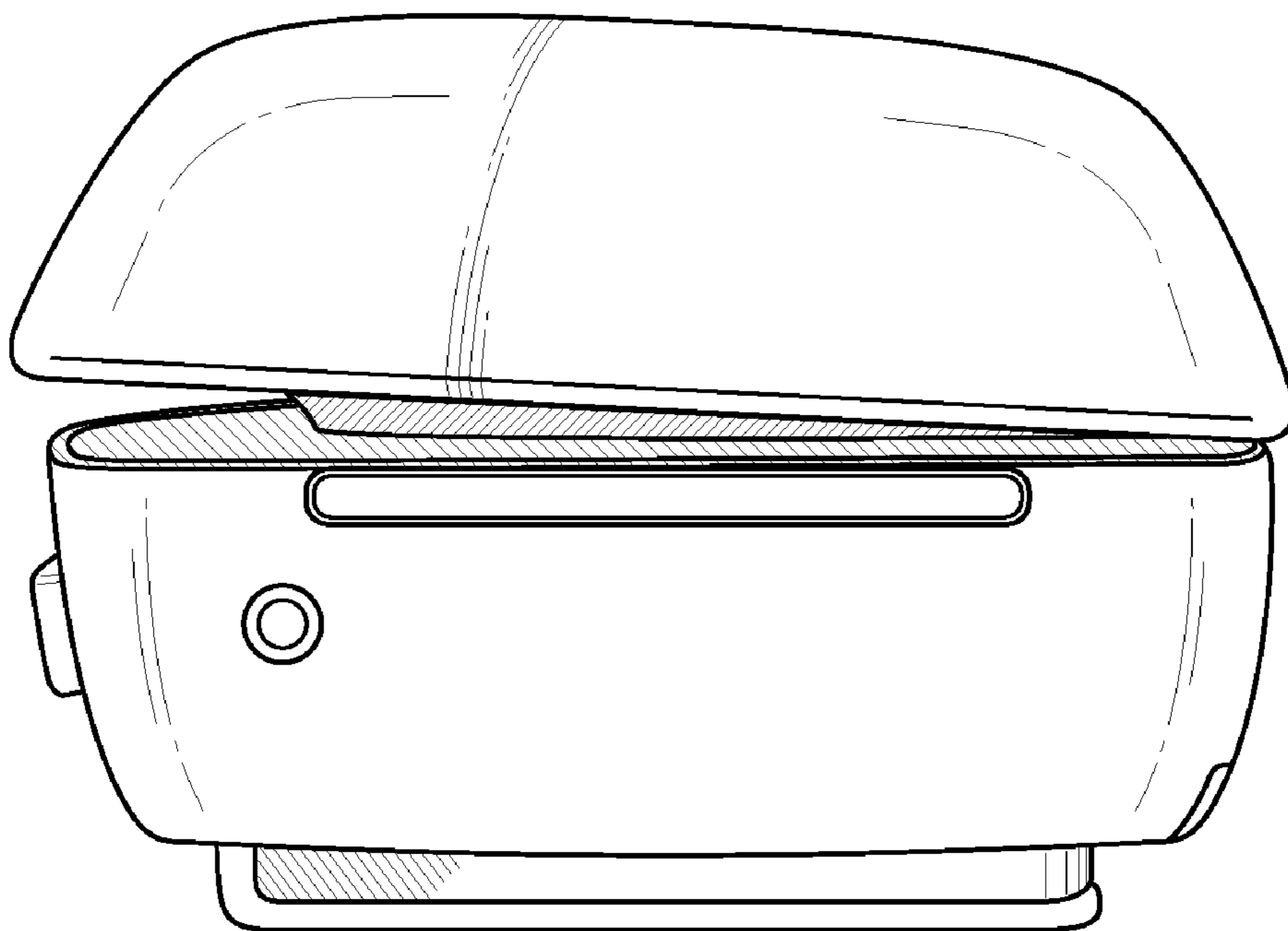


FIG. 7