



US00D560652S

(12) **United States Design Patent**
Opperman

(10) **Patent No.:** **US D560,652 S**

(45) **Date of Patent:** **** Jan. 29, 2008**

(54) **RADIO RECEIVER**

(75) **Inventor:** **Nicholas Richard James Opperman,**
Andover (GB)

(73) **Assignee:** **Sound Designs Limited,** Andover (GB)

(**) **Term:** **14 Years**

(21) **Appl. No.:** **29/248,589**

(22) **Filed:** **Aug. 23, 2006**

(30) **Foreign Application Priority Data**

Feb. 24, 2006 (GB) 3024058

(51) **LOC (8) Cl.** **14-03**

(52) **U.S. Cl.** **D14/192**

(58) **Field of Classification Search** D14/137,
D14/140, 170, 171, 188-193, 197, 198, 217,
D14/257, 265, 496, 155, 138, 205-206; 369/6-12;
455/90.1-90.3, 91-100, 128

See application file for complete search history.

(56) **References Cited**

U.S. PATENT DOCUMENTS

D174,053 S * 2/1955 Norris D14/192
D179,151 S * 11/1956 Norris D14/192
D284,859 S * 7/1986 Okada D14/192
D293,107 S * 12/1987 Muller D14/205

D321,881 S * 11/1991 Hopewell D14/192
D326,653 S * 6/1992 Hino D14/192
5,146,619 A * 9/1992 Brown 455/351
D457,154 S * 5/2002 Ng D14/192
D516,540 S * 3/2006 Beauchemin et al. D14/192
D545,813 S * 7/2007 Ma D14/223

FOREIGN PATENT DOCUMENTS

GB 2105921 11/2001

* cited by examiner

Primary Examiner—Stella M. Reid

Assistant Examiner—Keli' L. Acker

(74) *Attorney, Agent, or Firm*—John V. Stewart

(57) **CLAIM**

The ornamental design for a radio receiver, as shown.

DESCRIPTION

FIG. 1 is a right side view of a radio receiver embodying the invention.

FIG. 2 is a left side view of the radio receiver.

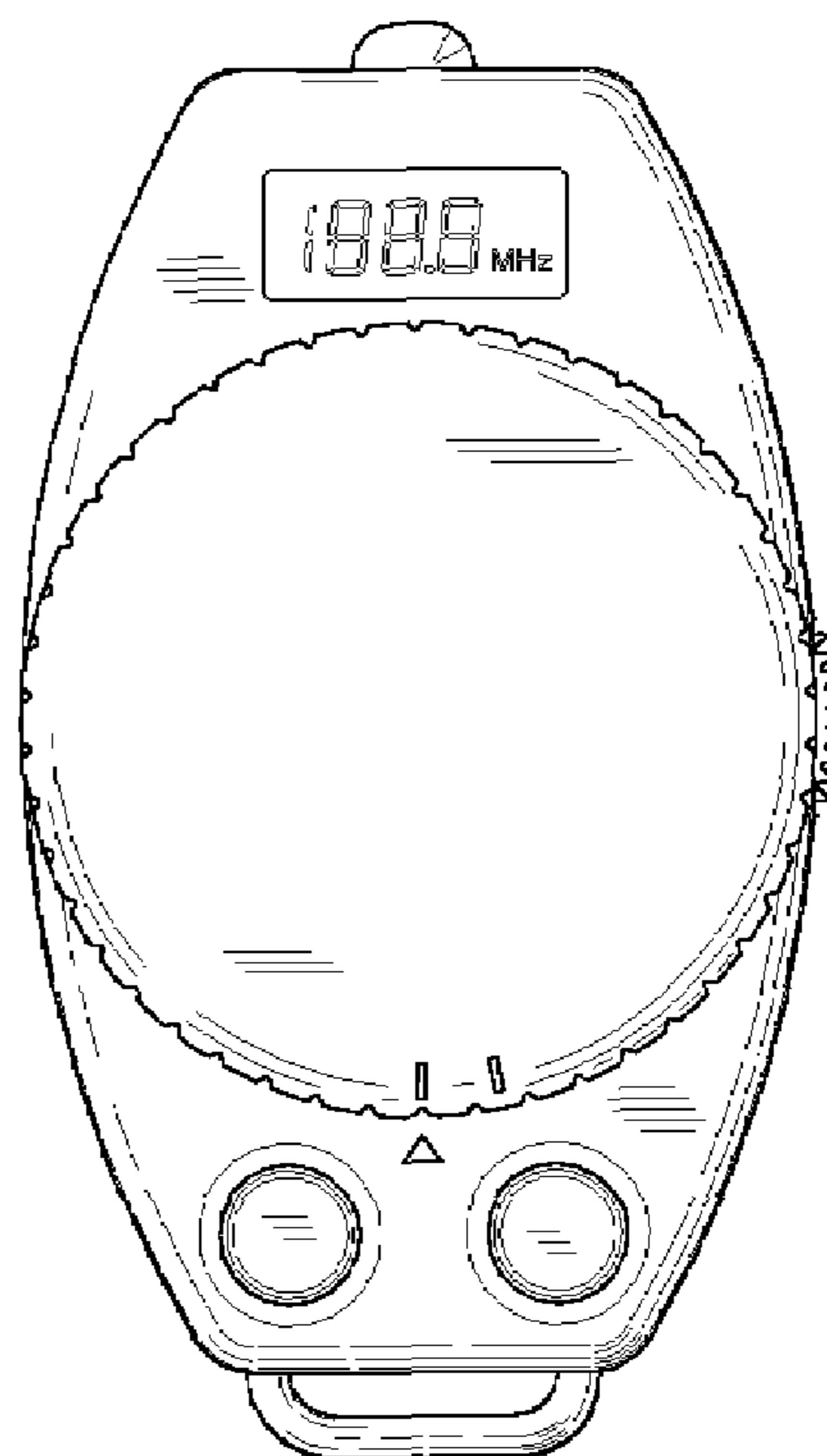
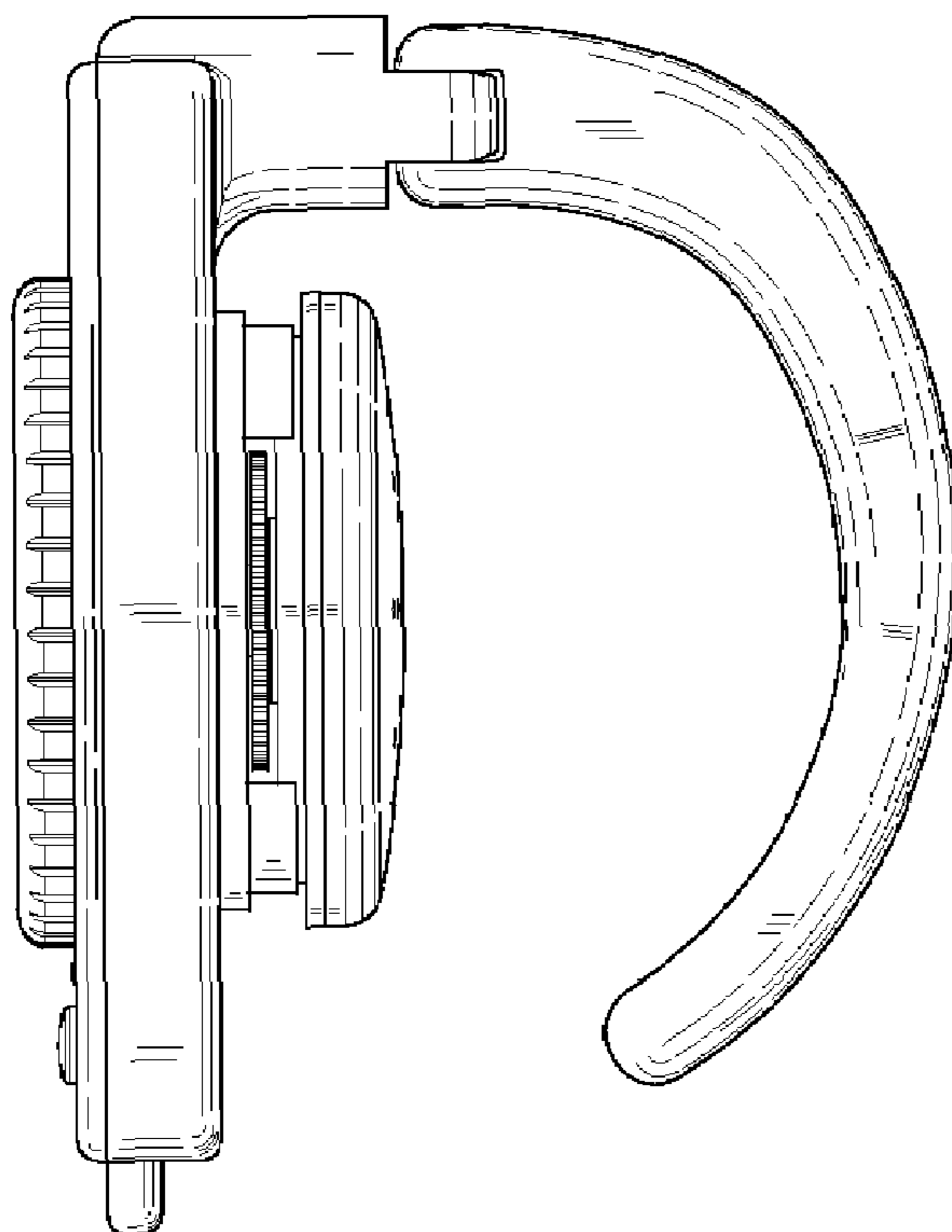
FIG. 3 is a front view of the radio receiver.

FIG. 4 is a rear view of the radio receiver.

FIG. 5 is a top view of the radio receiver; and,

FIG. 6 is a bottom view of the radio receiver.

1 Claim, 2 Drawing Sheets



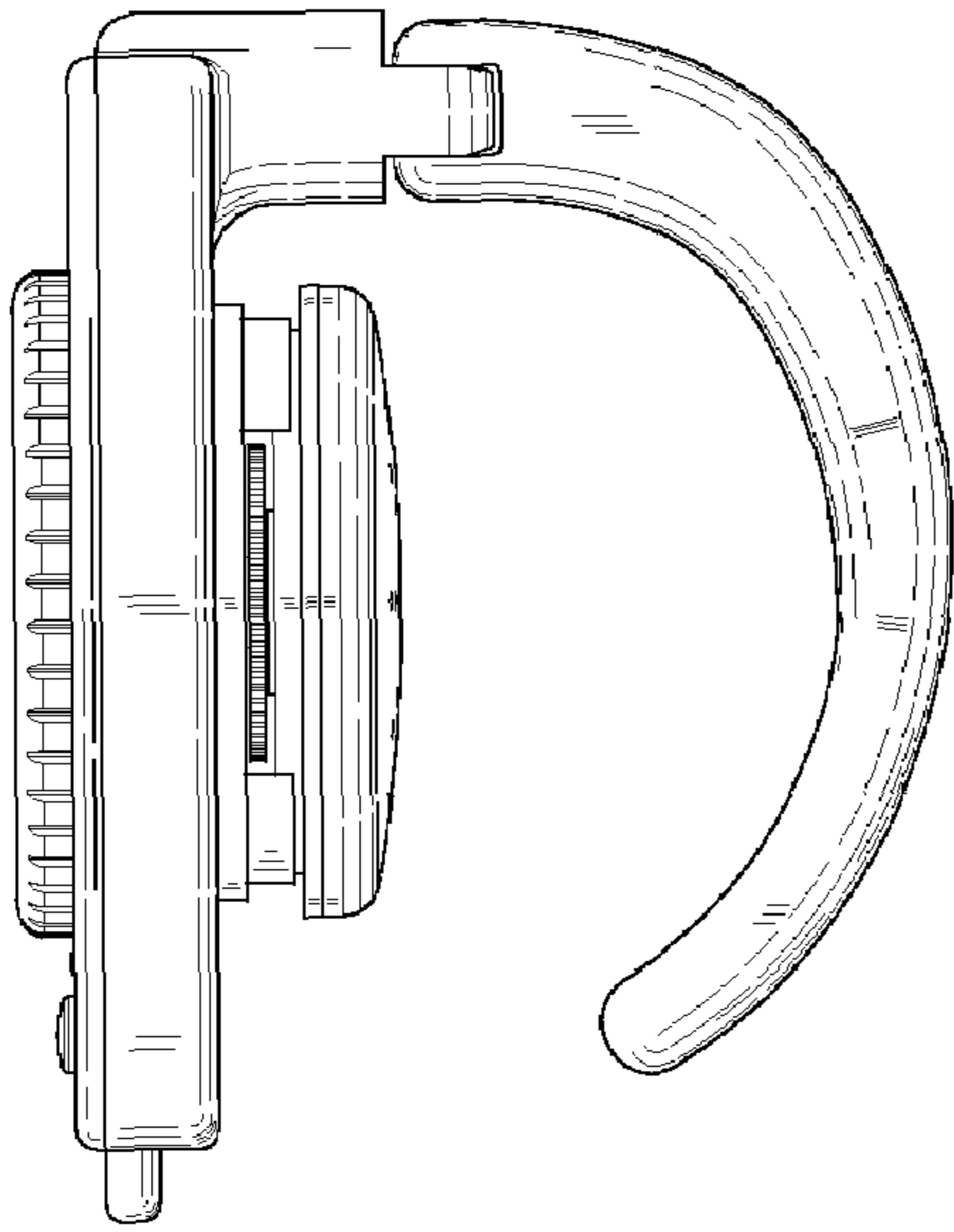


FIG. 1

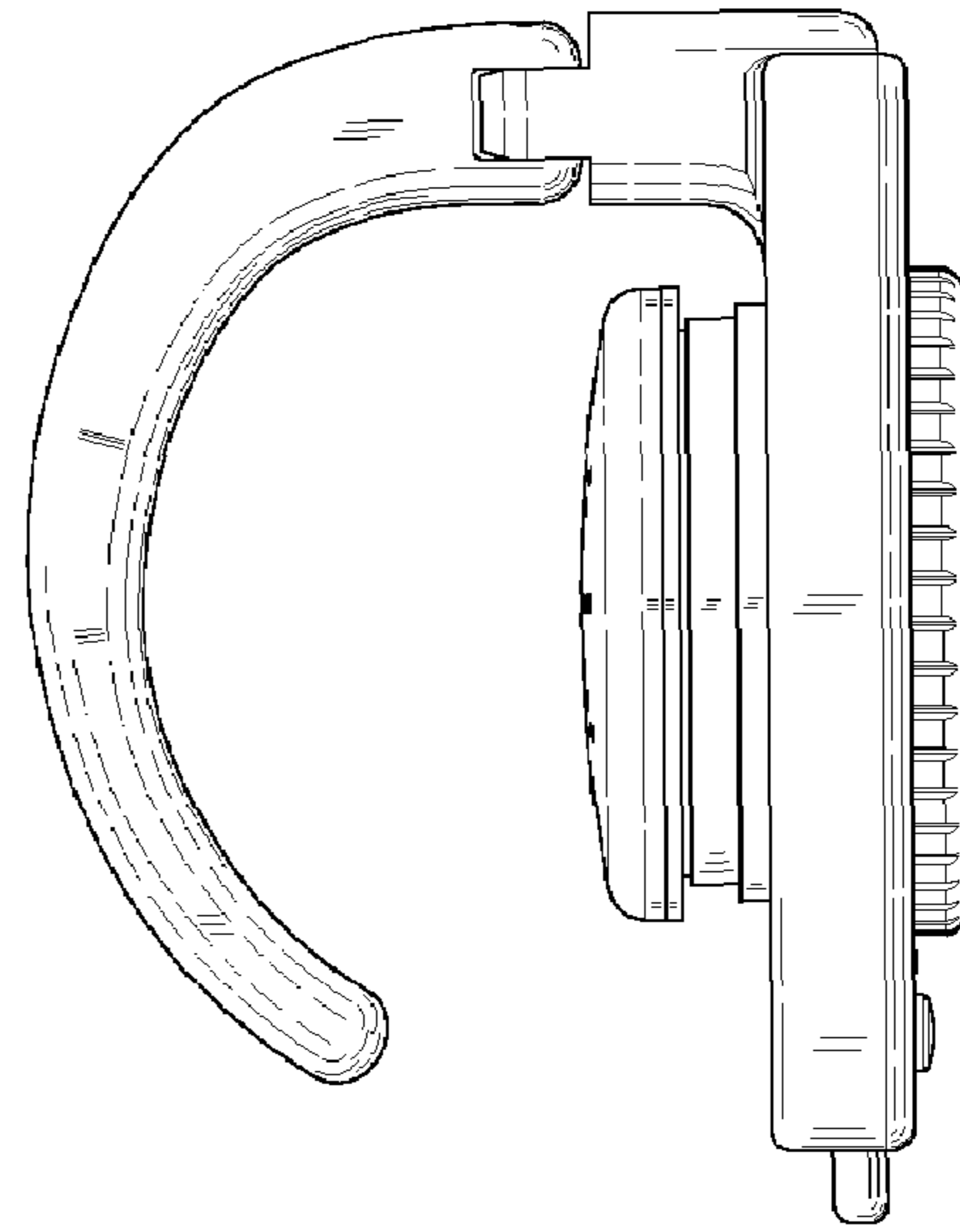


FIG. 2

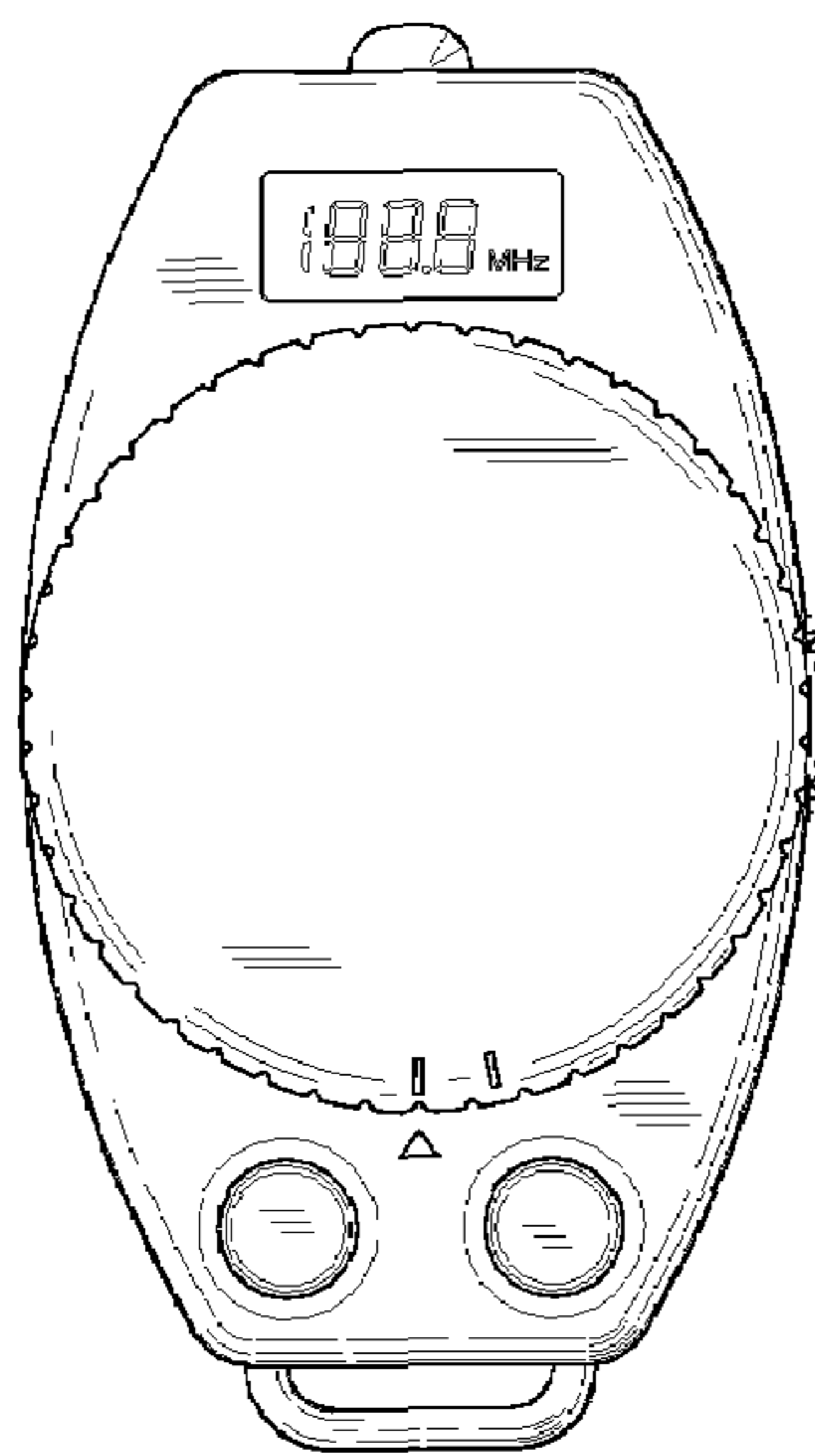


FIG. 3

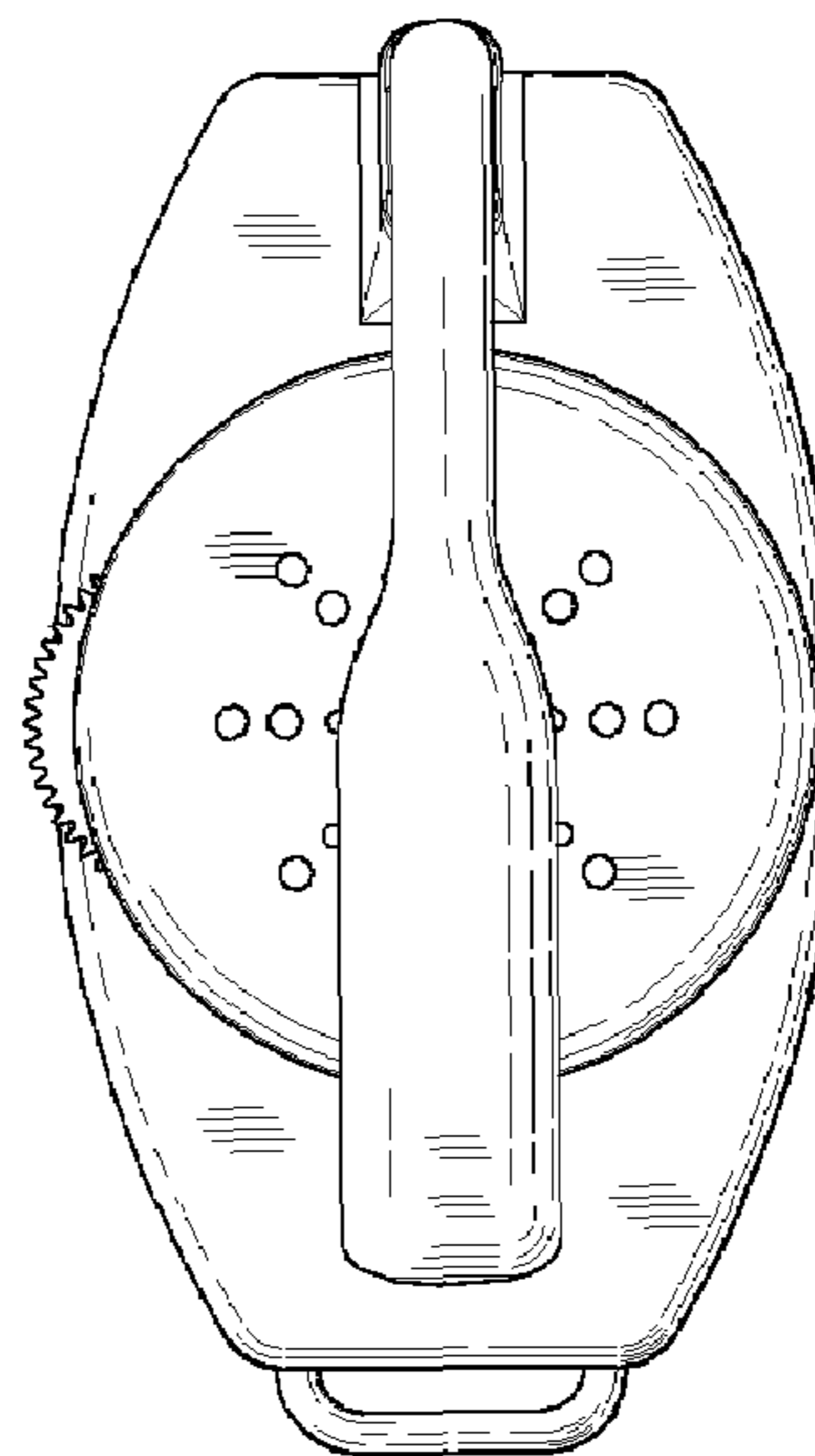


FIG. 4

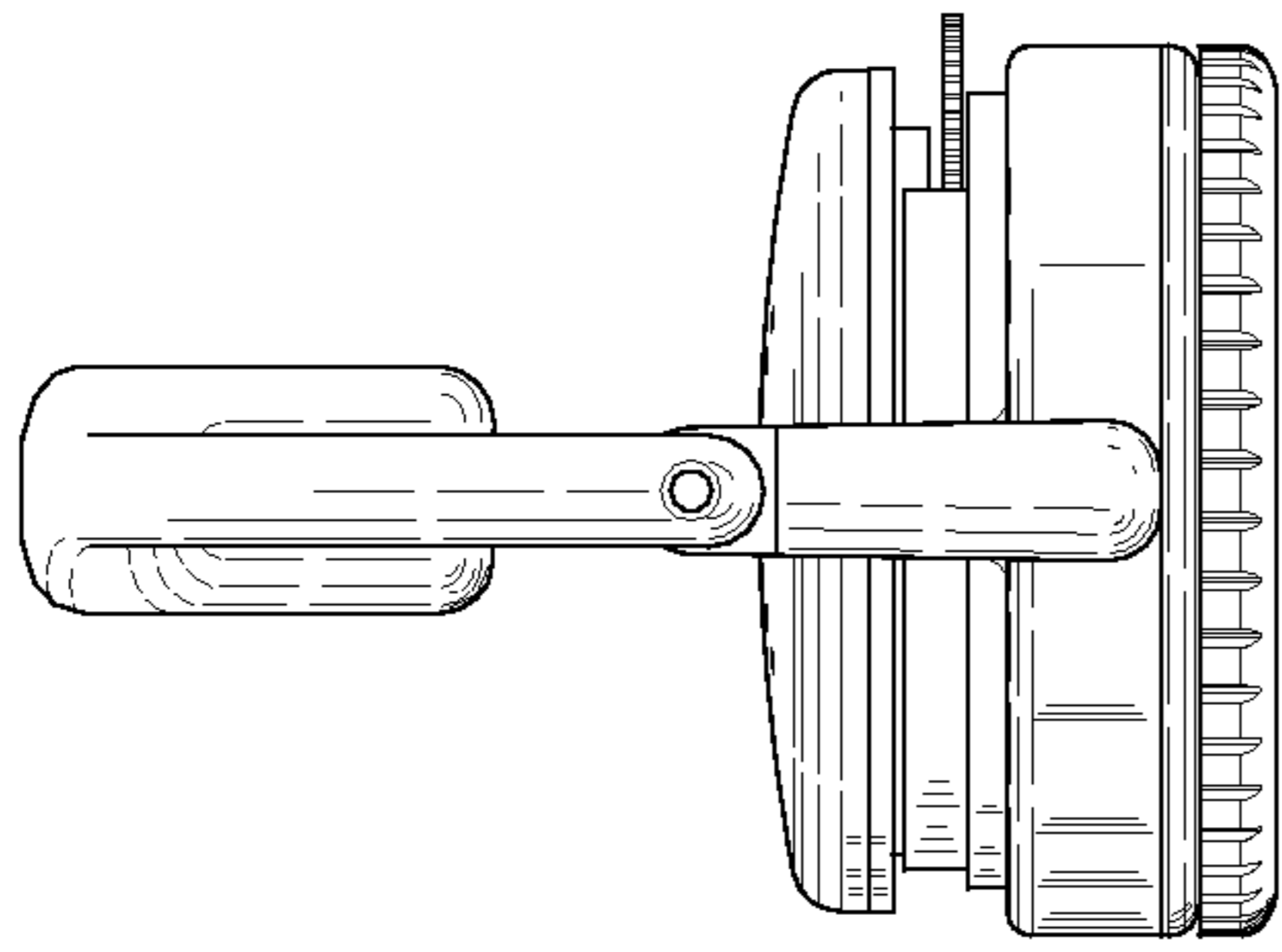


FIG. 5

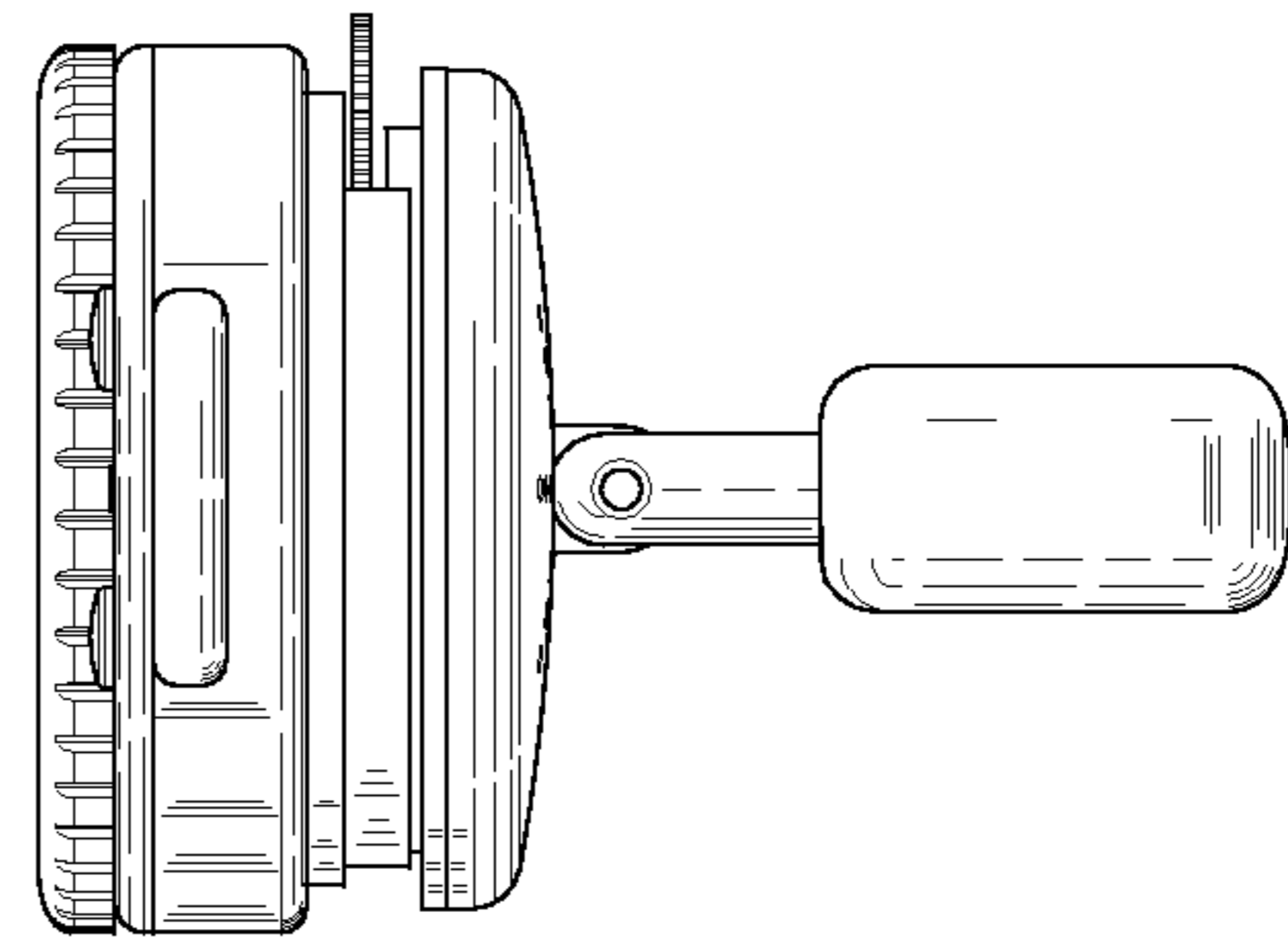


FIG. 6