



US00D560649S

(12) **United States Design Patent**  
**Hsu**

(10) **Patent No.:** **US D560,649 S**  
(45) **Date of Patent:** **\*\* Jan. 29, 2008**

(54) **FM TRANSMITTER**

(75) Inventor: **Po-Jung Hsu**, Fremont, CA (US)

(73) Assignee: **Honor Trading Ltd. of Formosa**,  
Fremont, CA (US)

(\*\*) Term: **14 Years**

(21) Appl. No.: **29/277,360**

(22) Filed: **Feb. 22, 2007**

(51) **LOC (8) Cl.** ..... **14-03**

(52) **U.S. Cl.** ..... **D14/155**

(58) **Field of Classification Search** ..... D14/167,  
D14/154, 168, 188, 496, 156, 218, 160, 161,  
D14/162, 163, 164, 165, 191, 192; D16/208;  
D26/38; D10/104; 455/350, 351  
See application file for complete search history.

(56) **References Cited**

**U.S. PATENT DOCUMENTS**

- D338,465 S \* 8/1993 Hayasaka et al. .... D14/191
- 5,248,264 A \* 9/1993 Long et al. .... 439/347
- D364,164 S \* 11/1995 Hanig ..... D14/192
- D380,205 S \* 6/1997 Bares ..... D14/242
- D441,735 S \* 5/2001 Katayama ..... D14/156

- D445,705 S \* 7/2001 Kliegman et al. .... D10/104
- D452,233 S \* 12/2001 Kubik et al. .... D14/242
- D540,774 S \* 4/2007 Alwicker et al. .... D14/155
- D544,487 S \* 6/2007 Hussaini et al. .... D14/434

\* cited by examiner

*Primary Examiner*—Cathron C. Brooks

*Assistant Examiner*—Austin Murphy

(74) *Attorney, Agent, or Firm*—Buchanan Ingersoll &  
Rooney LLP

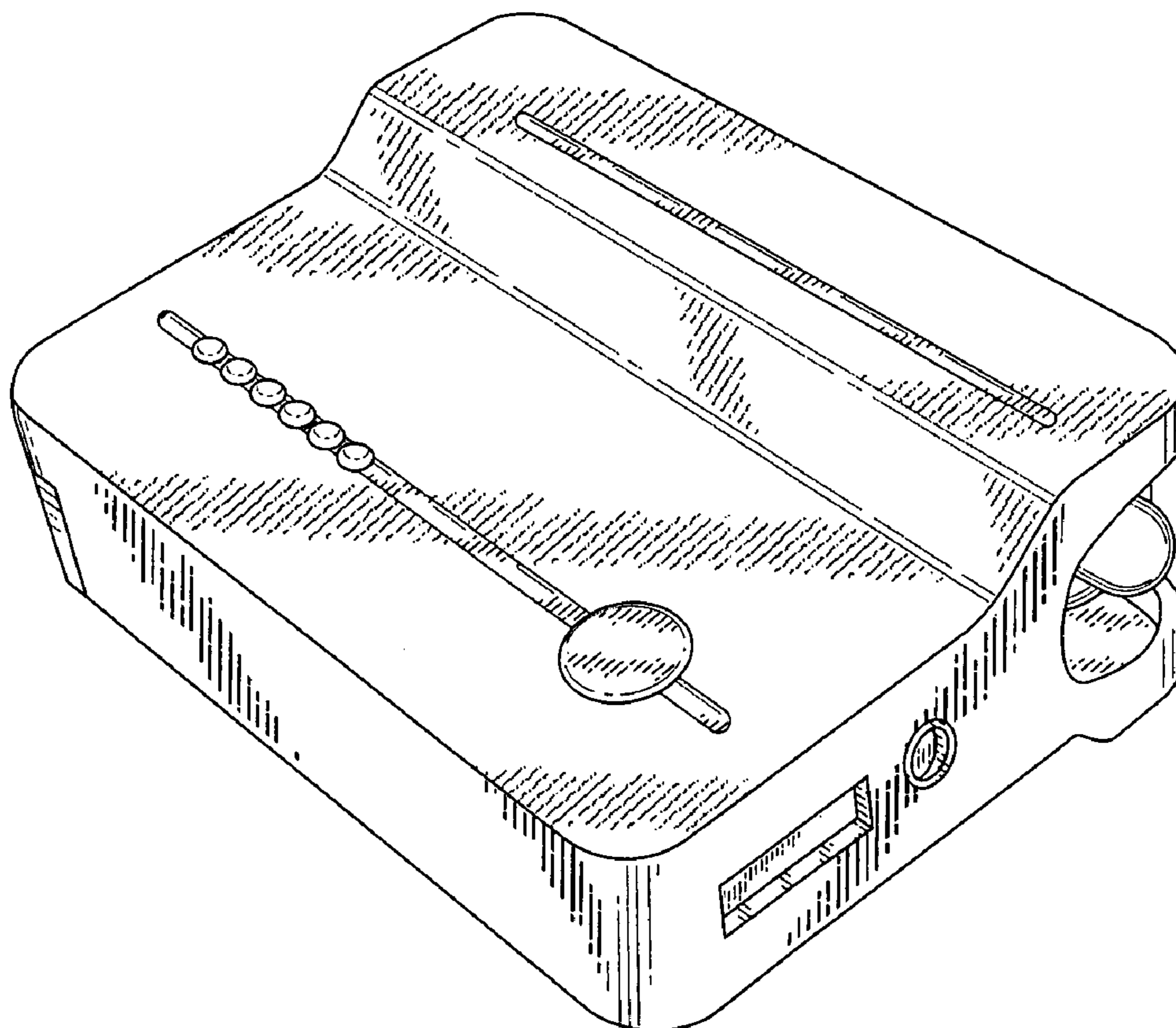
(57) **CLAIM**

The ornamental design for an FM transmitter, as shown and described.

**DESCRIPTION**

FIG. 1 is a perspective view of the FM transmitter;  
 FIG. 2 is a top view of the FM transmitter;  
 FIG. 3 is a bottom view of the FM transmitter;  
 FIG. 4 is a left view of the FM transmitter;  
 FIG. 5 is a right view of the FM transmitter;  
 FIG. 6 is a front view of the FM transmitter; and,  
 FIG. 7 is a back view of the FM transmitter.

**1 Claim, 4 Drawing Sheets**



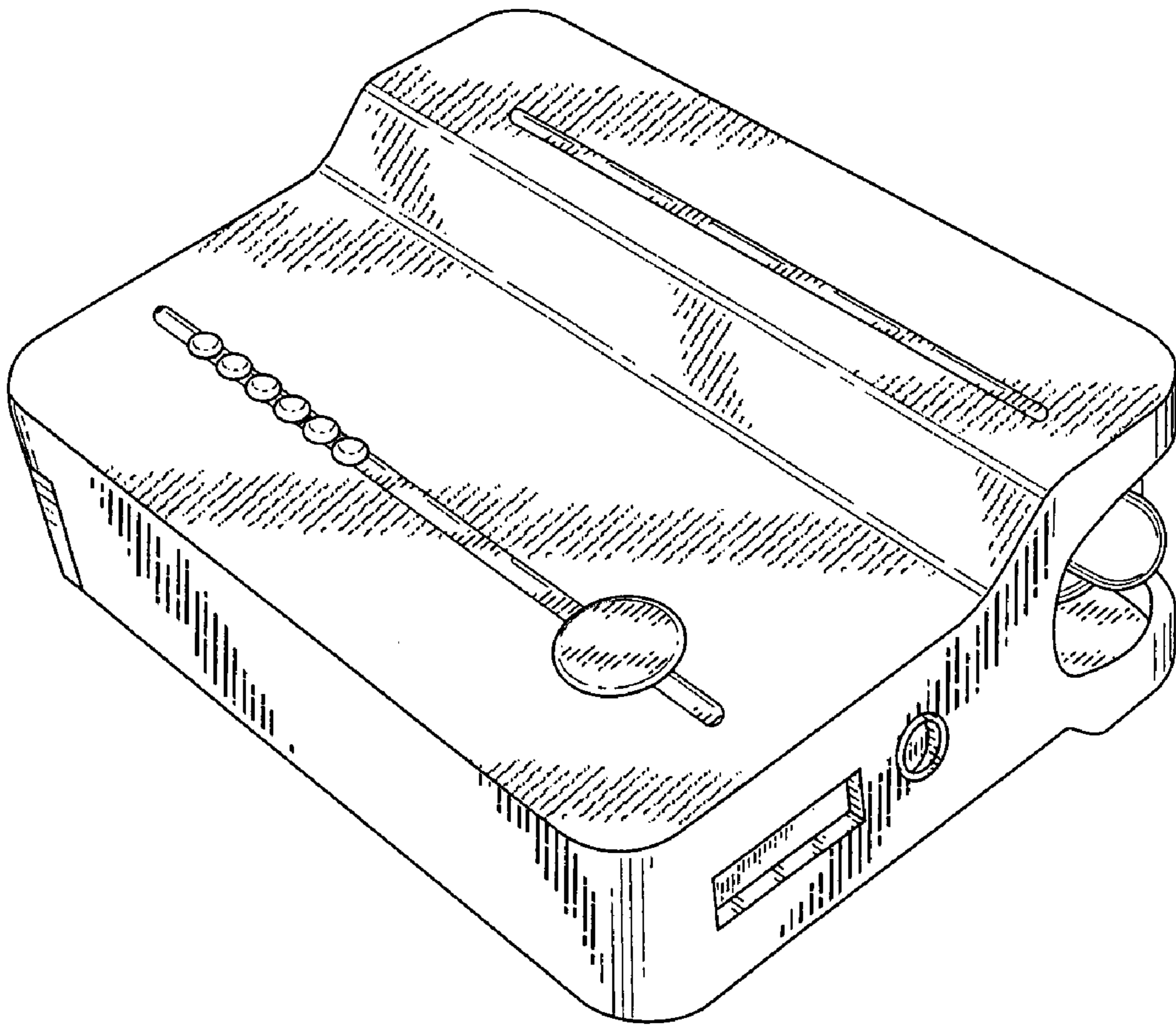


FIG. 1

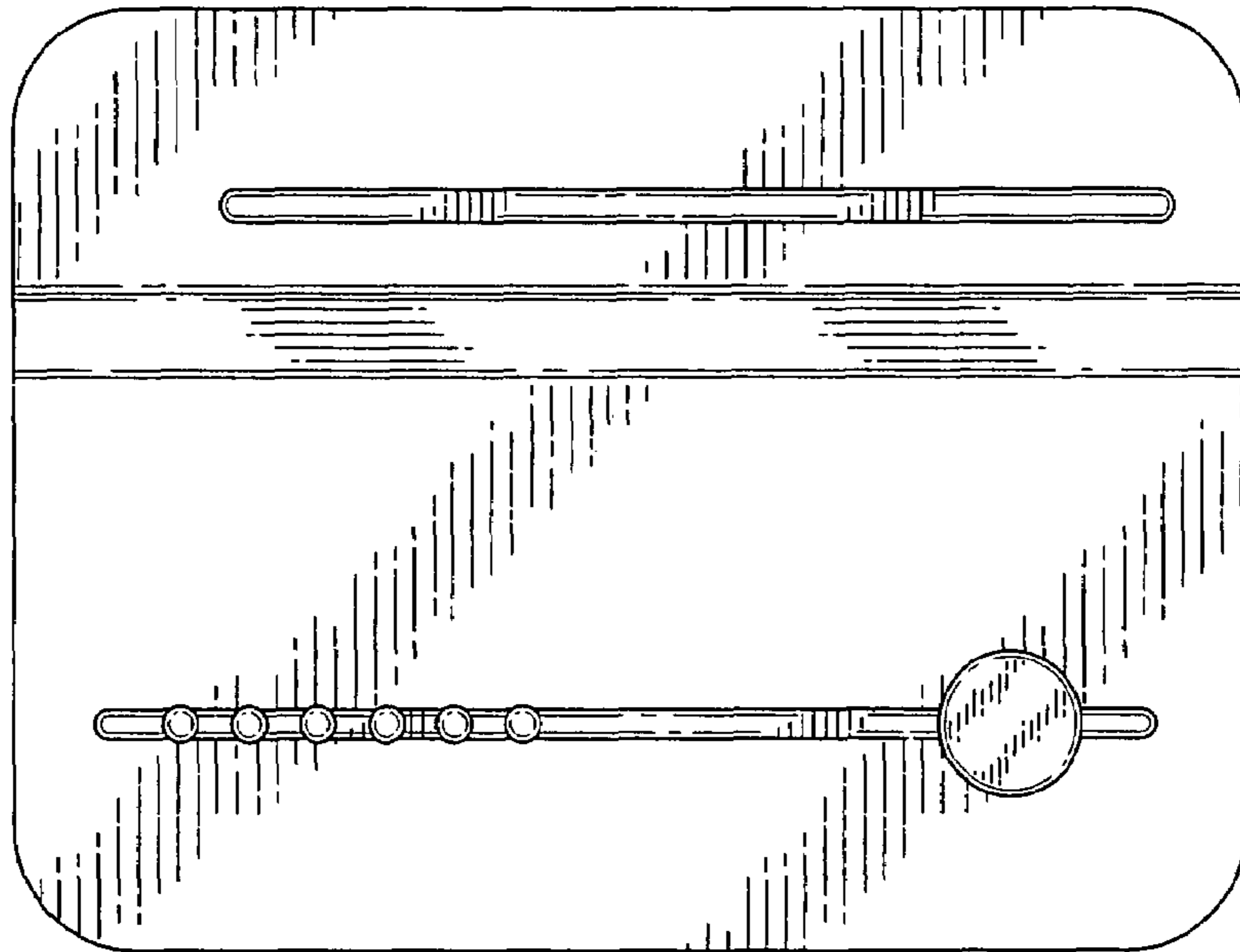


FIG. 2

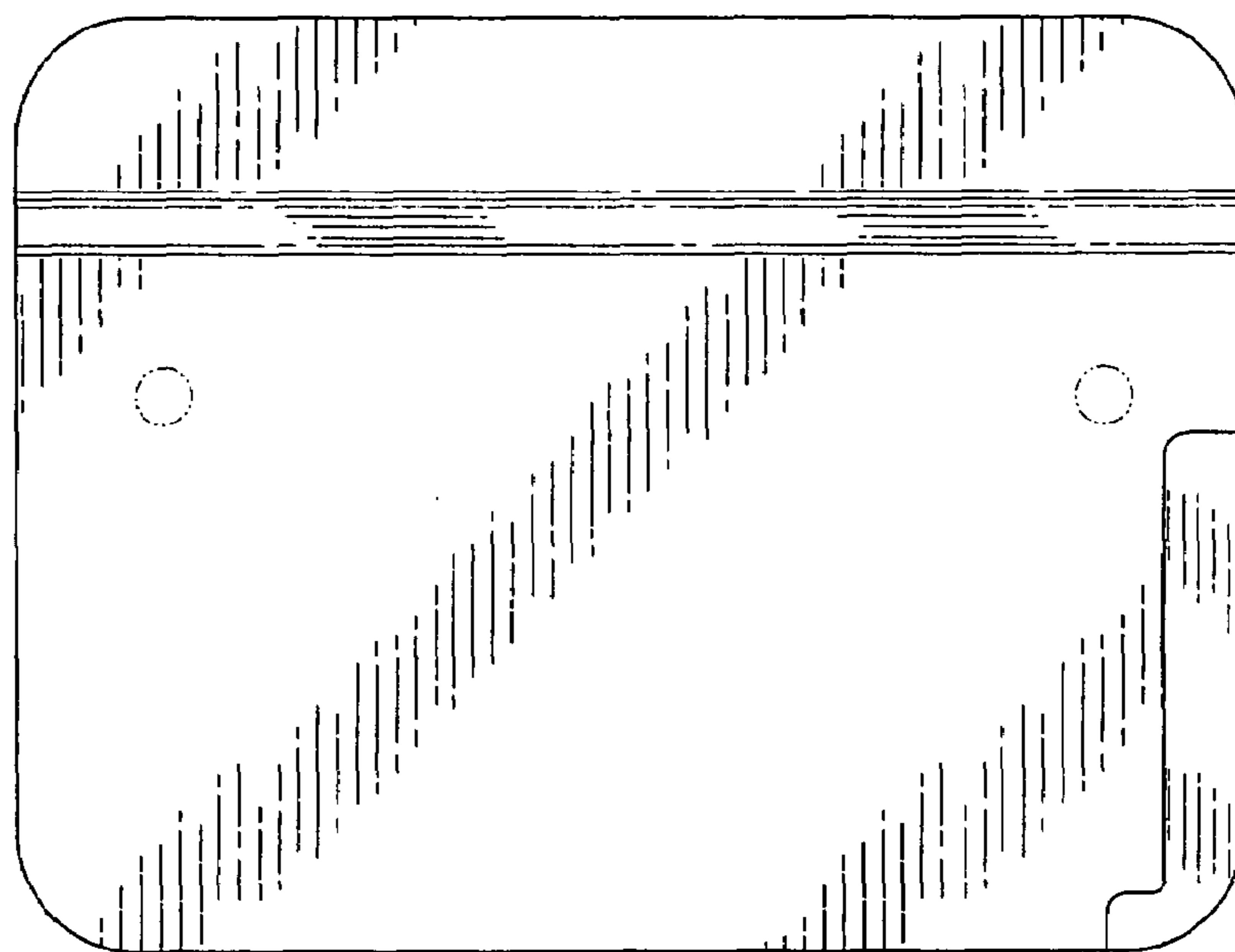


FIG. 3

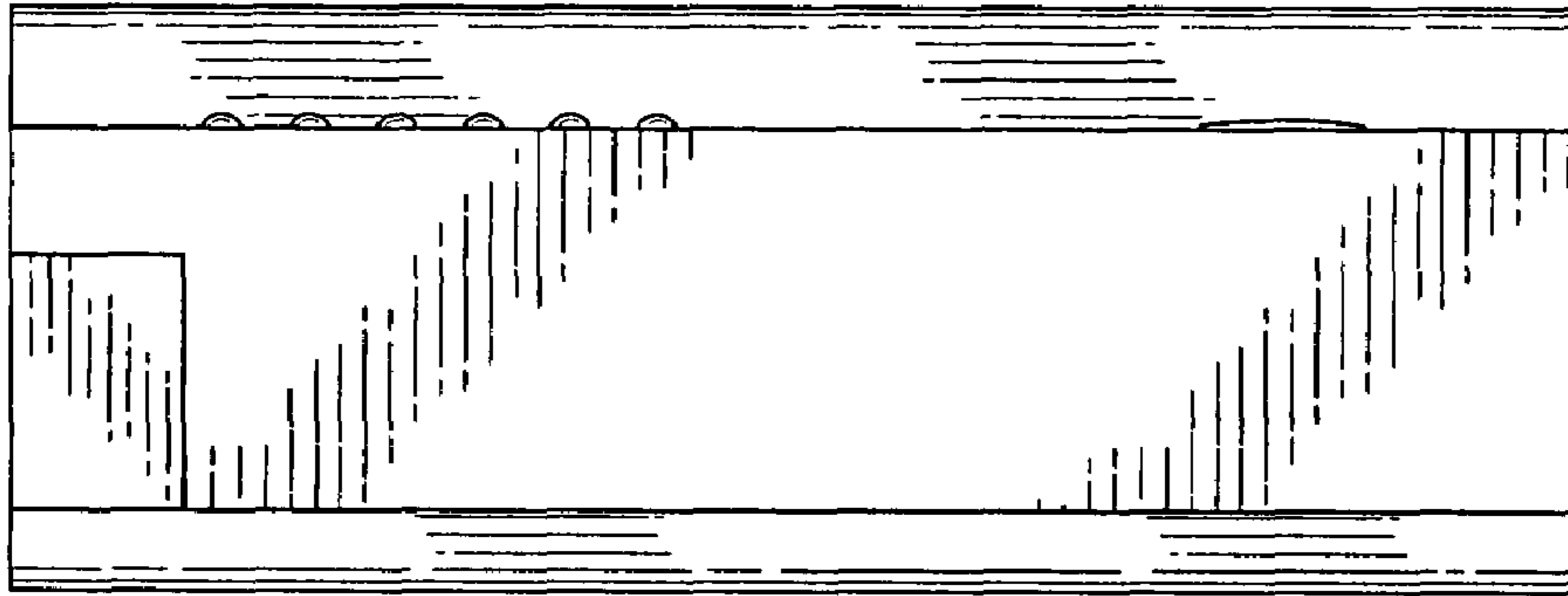


FIG. 4

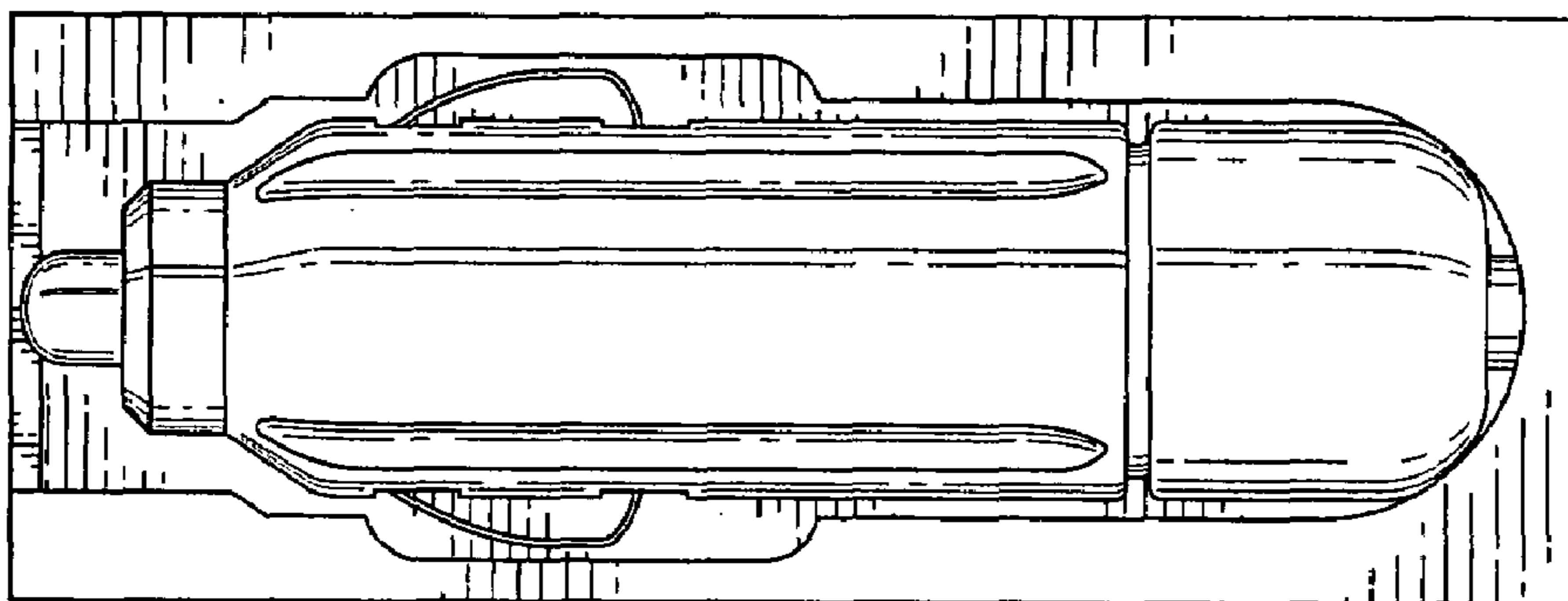


FIG. 5

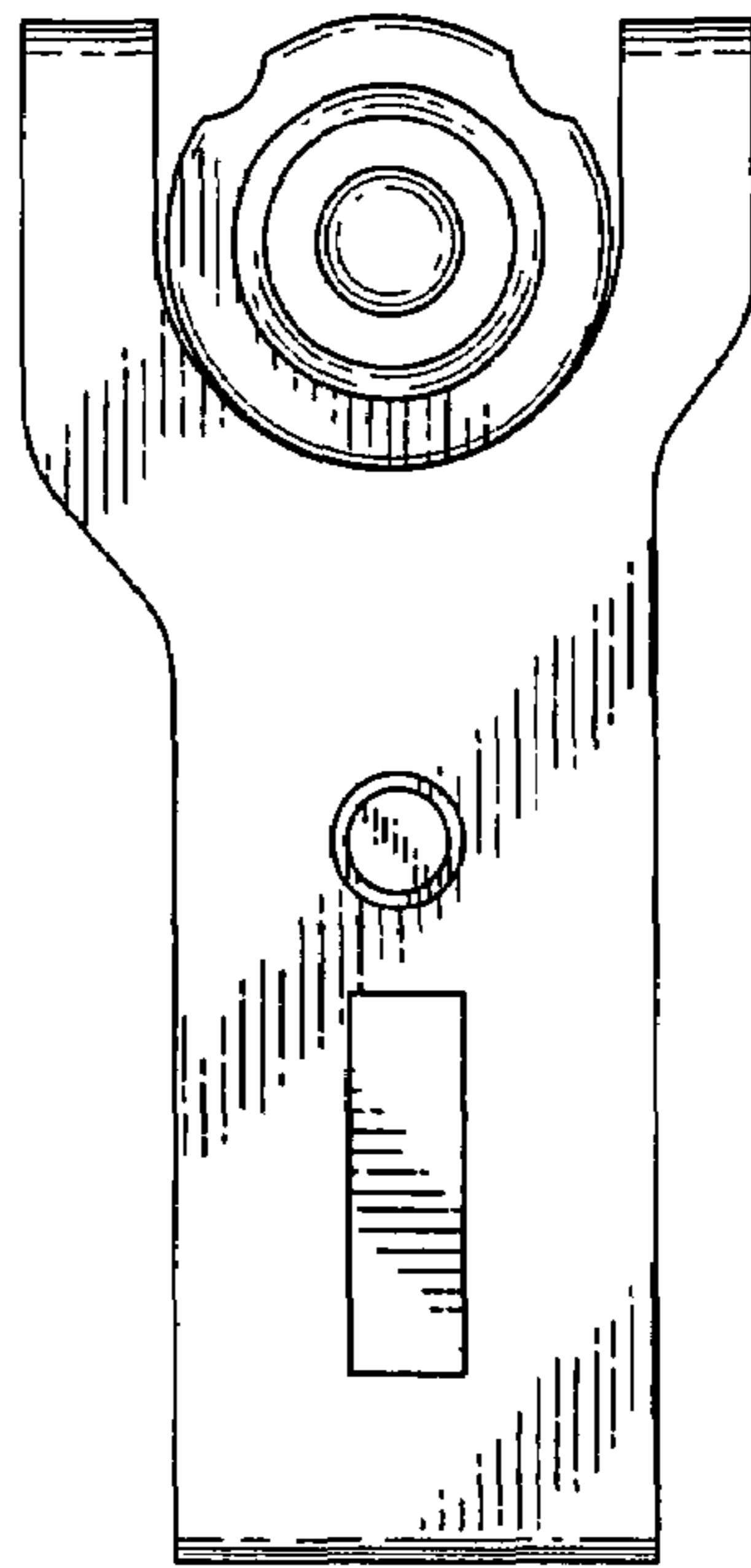


FIG. 6

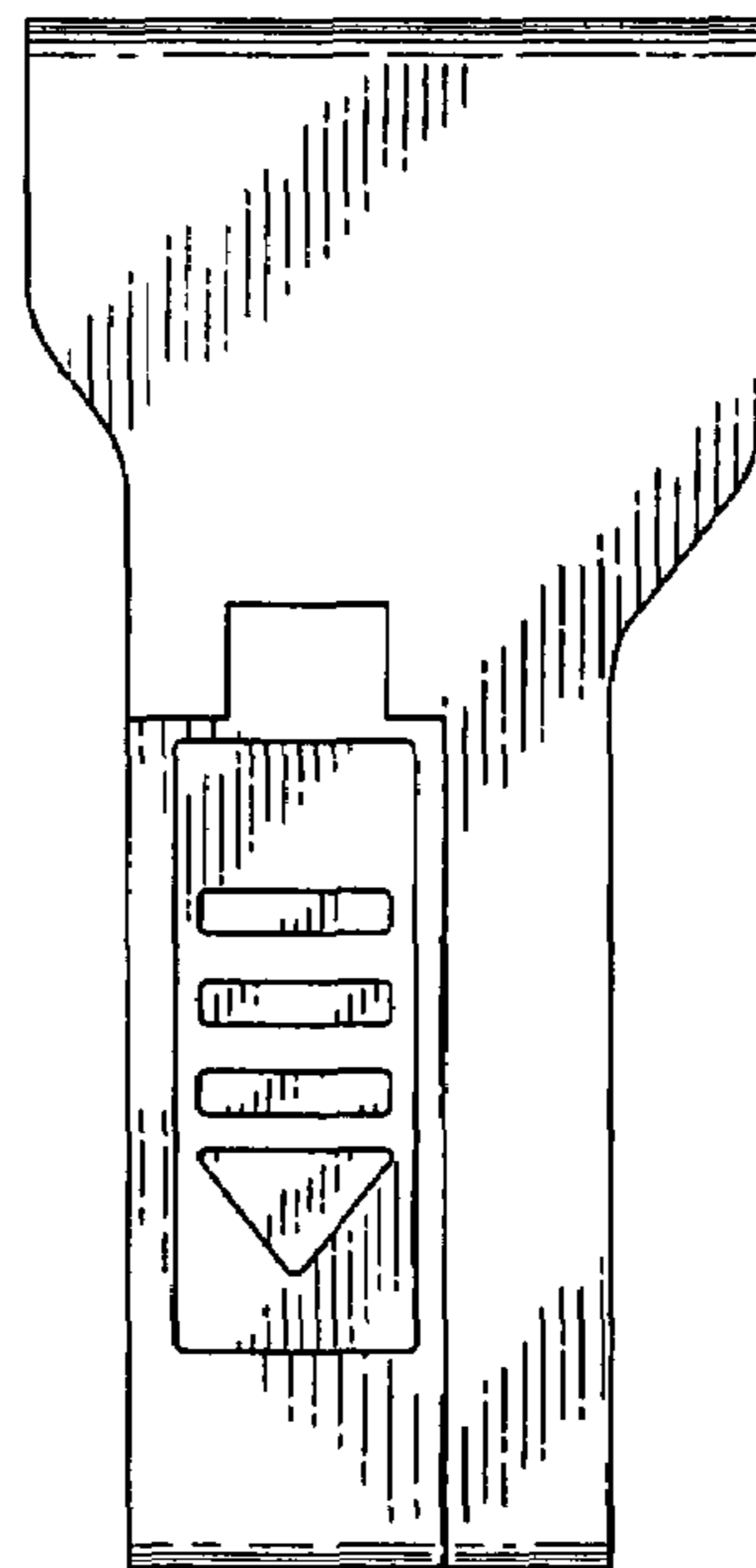


FIG. 7