

US00D560635S

(12) **United States Design Patent**  
**Kim et al.**

(10) **Patent No.:** **US D560,635 S**  
(45) **Date of Patent:** **\*\* Jan. 29, 2008**

(54) **MOBILE PHONE**

2006/0121963 A1\* 6/2006 Gartrell et al. .... 455/575.8

(75) Inventors: **Gwang-Moon Kim**, Seoul (KR);  
**Jin-Soo Kim**, Yongin-si (KR); **Nam-Mi Kim**, Seoul (KR); **Chang-Hwan Hwang**, Goyang-si (KR)

FOREIGN PATENT DOCUMENTS

WO DM/068214 \* 10/2006

(73) Assignee: **Samsung Electronics Co., Ltd.**,  
Suwon-Si (KR)

OTHER PUBLICATIONS

Siemens AX72, announced Oct. 2005, [online], [retrieved on Dec. 1, 2006]. Retrieved from Internet ,<URL: http://www.gsmarena.com>.\*

(\*\*) Term: **14 Years**

VK Mobile VK200, announced Feb. 2006, [online], [retrieved on Dec. 4, 2006]. Retrieved from Internet ,<URL: http://www.gsmarena.com>.\*

(21) Appl. No.: **29/254,286**

VK Mobile VK2020, announced Feb. 2006, [online], [retrieved on Dec. 4, 2006]. Retrieved from Internet ,<URL: http://www.gsmarena.com>.\*

(22) Filed: **Feb. 22, 2006**

\* cited by examiner

(30) **Foreign Application Priority Data**

Nov. 14, 2005 (KR) ..... 30-2005-0038224

*Primary Examiner*—Jeffrey Asch

*Assistant Examiner*—Bridget L Eland

(74) *Attorney, Agent, or Firm*—Staas & Halsey LLP

(51) **LOC (8) Cl.** ..... **14-03**

(52) **U.S. Cl.** ..... **D14/138**

(58) **Field of Classification Search** ..... D14/137,  
D14/138, 147, 218, 341–347; 455/90.3,  
455/556.1, 556.2, 575.1, 575.3, 575.4; 379/433.01–433.13;  
361/814; 348/14.02

See application file for complete search history.

(57) **CLAIM**

The ornamental design for a mobile phone, as shown and described.

(56) **References Cited**

U.S. PATENT DOCUMENTS

D470,467 S *	2/2003	Maruska et al. ....	D14/138
D496,343 S *	9/2004	Lin et al. ....	D14/138
D500,992 S *	1/2005	Shen et al. ....	D14/138
D505,932 S *	6/2005	Eckholm et al. ....	D14/138
D515,536 S *	2/2006	Lee et al. ....	D14/138
D515,541 S *	2/2006	Jensfelt ....	D14/138
D523,837 S *	6/2006	Lee ....	D14/138
D524,279 S *	7/2006	Lai ....	D14/138
D525,228 S *	7/2006	Kim et al. ....	D14/138
D527,368 S *	8/2006	Kim et al. ....	D14/138
D530,697 S *	10/2006	Wei et al. ....	D14/138
2004/0180703 A1 *	9/2004	Kim et al. ....	455/575.1
2005/0221874 A1 *	10/2005	Cho et al. ....	455/575.4
2005/0266898 A1 *	12/2005	Ahn et al. ....	455/575.1
2006/0025184 A1 *	2/2006	Cho et al. ....	455/575.4
2006/0030380 A1 *	2/2006	Pentinpuro ....	455/575.3

**DESCRIPTION**

FIG. 1 is a perspective view of the mobile phone showing our design;

FIG. 2 is a front view thereof;

FIG. 3 is a rear view thereof;

FIG. 4 is a left side view thereof;

FIG. 5 is a right side view thereof;

FIG. 6 is a top plan view thereof;

FIG. 7 is a bottom plan view thereof; and,

FIG. 8 is a perspective view, showing the movable panel rotated to a first alternate position; and,

FIG. 9 is a perspective view, showing the movable panel rotated to a second alternate position.

The broken lines in FIGS. 8 and 9, and the regions defined by the broken lines form no part of the claimed design.

**1 Claim, 6 Drawing Sheets**

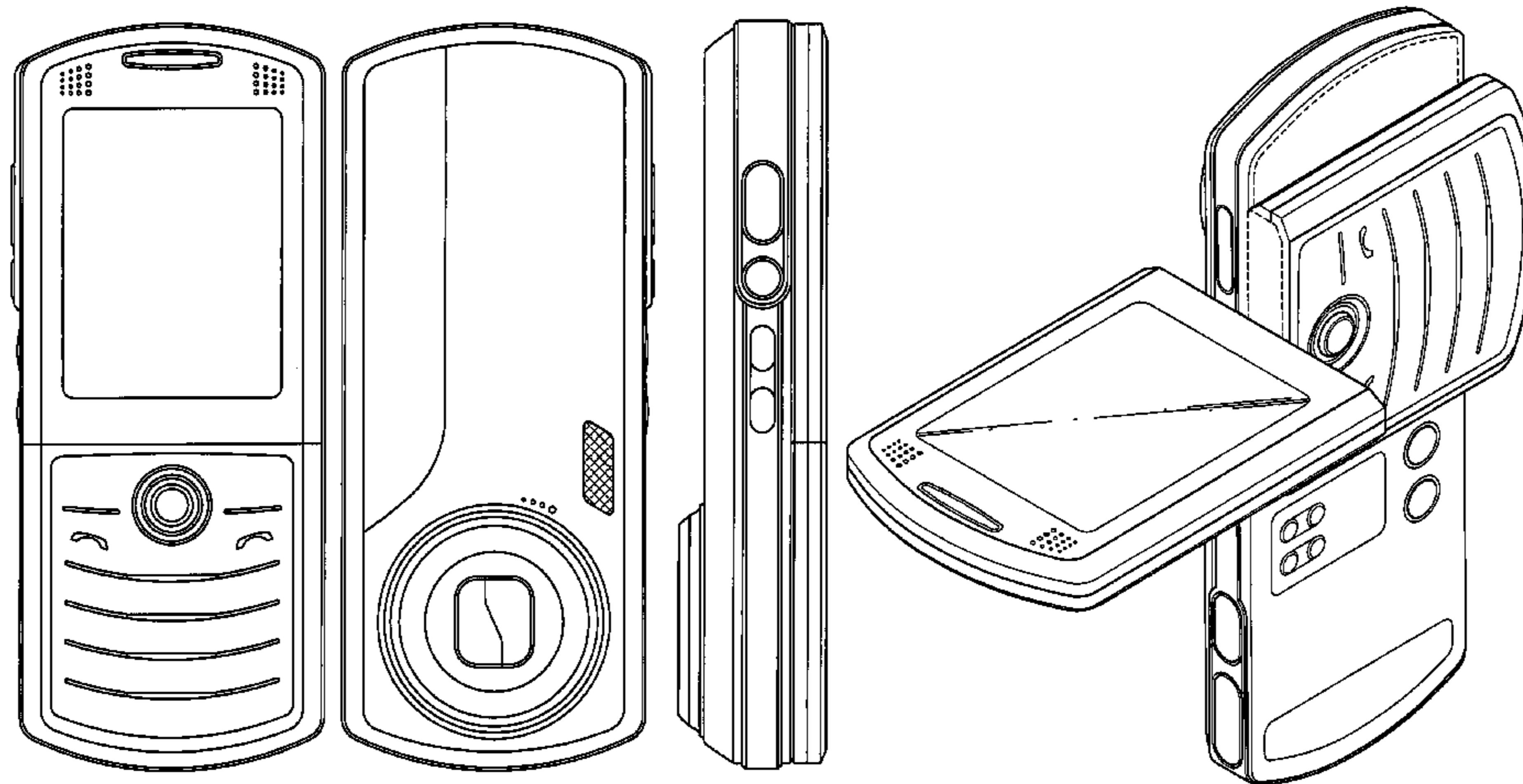


FIG. 1

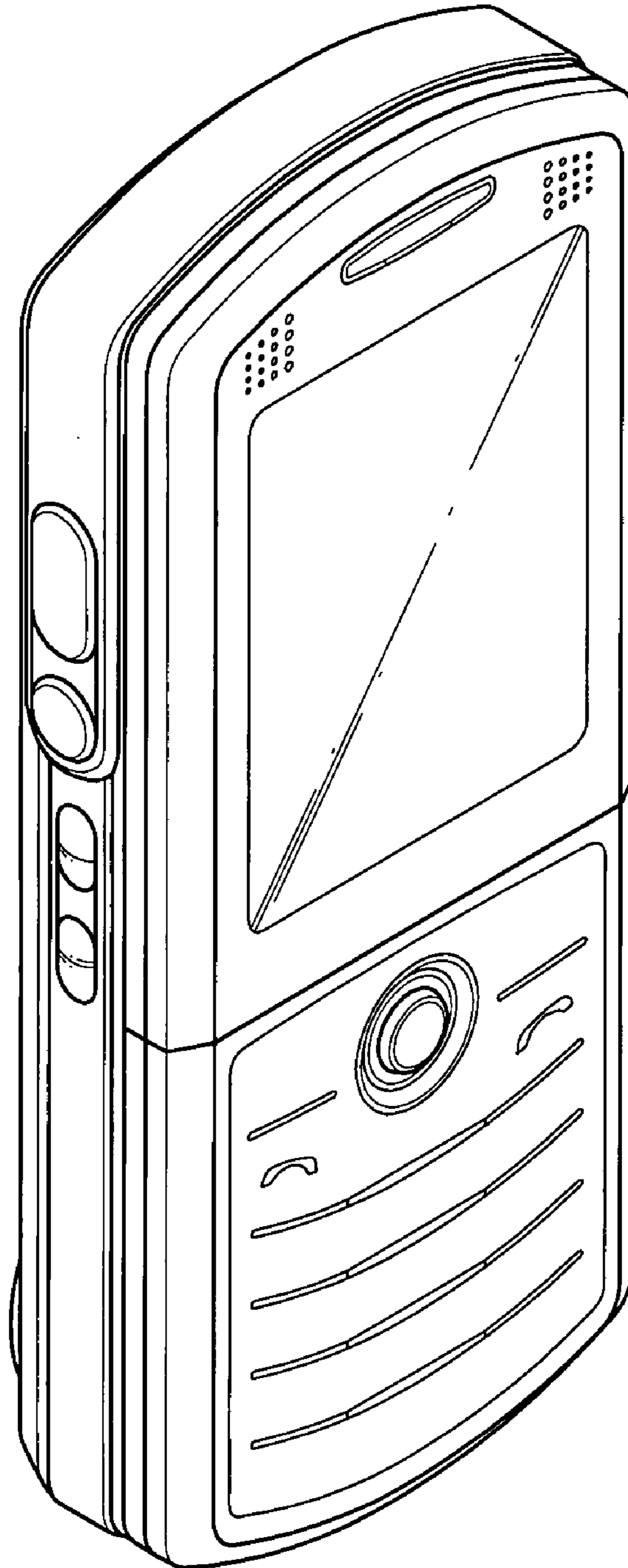


FIG. 2

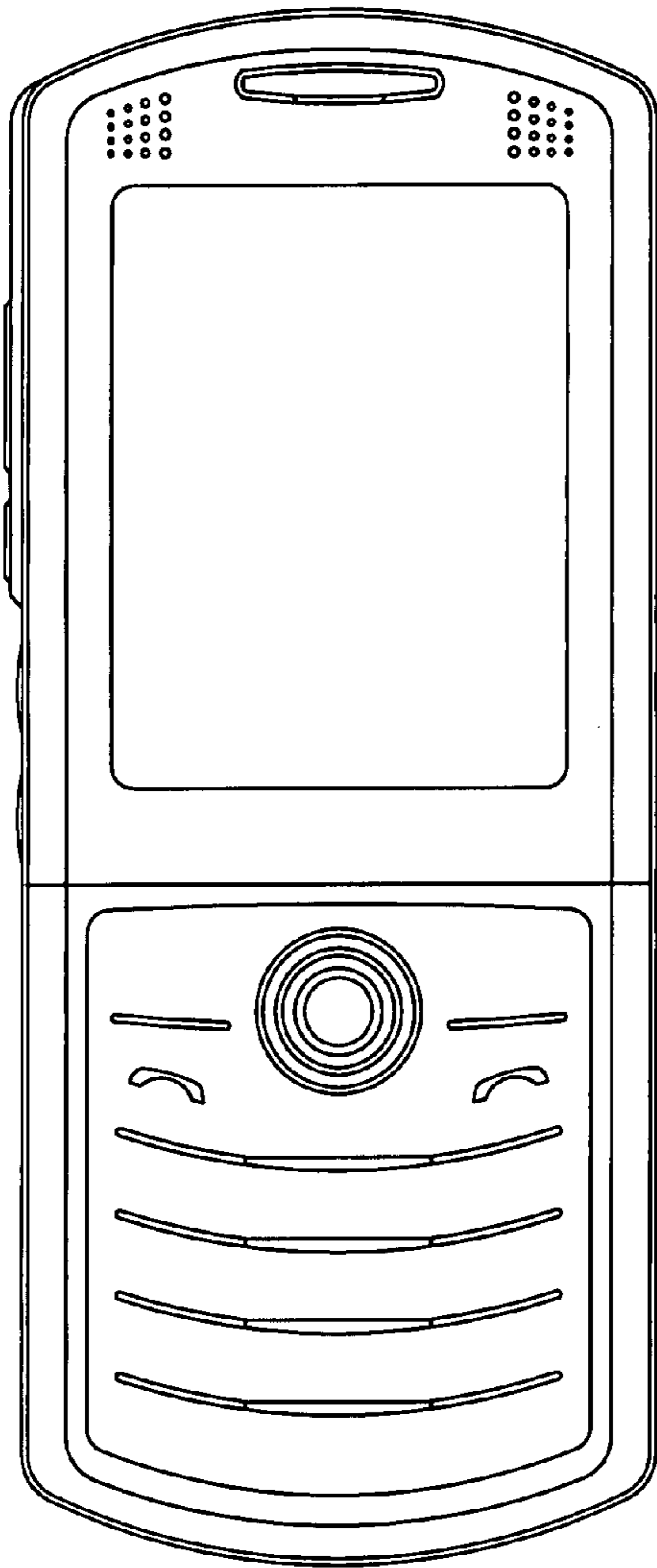


FIG. 3

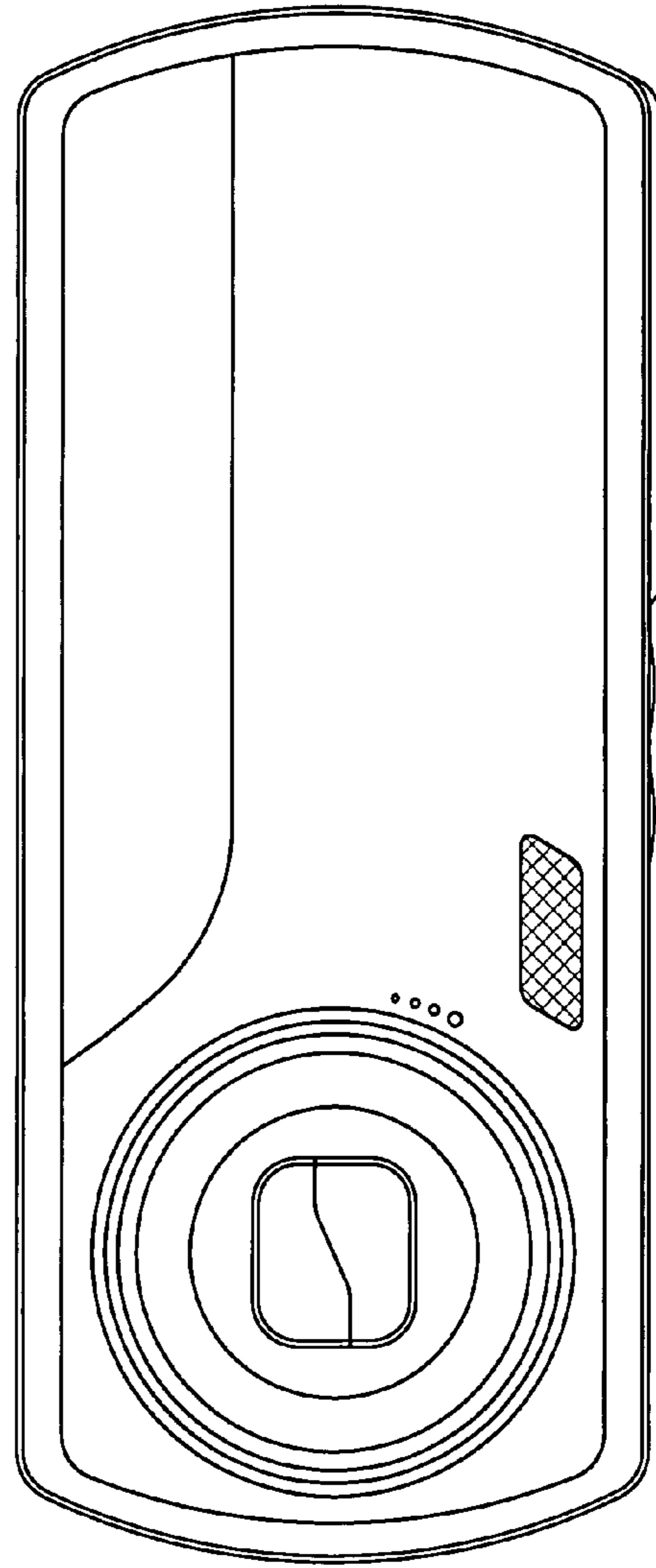


FIG. 4

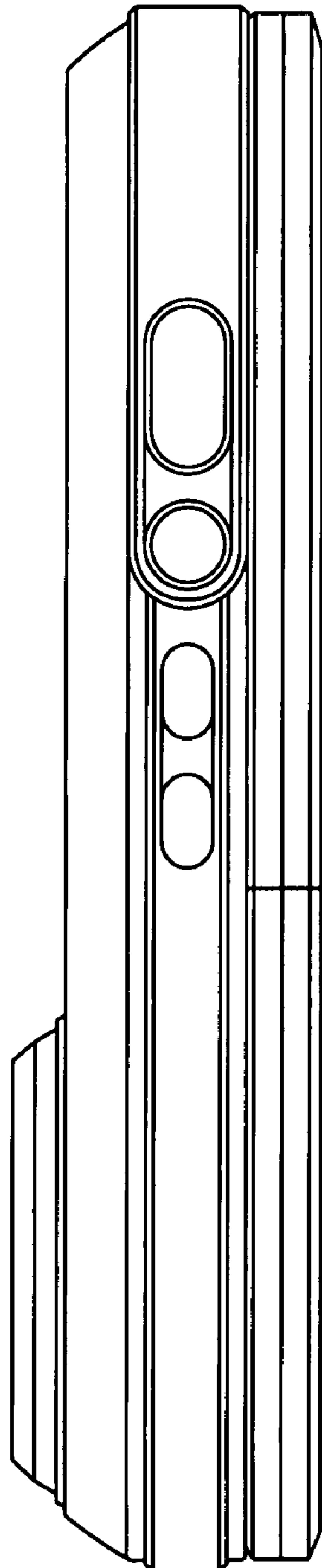


FIG. 5

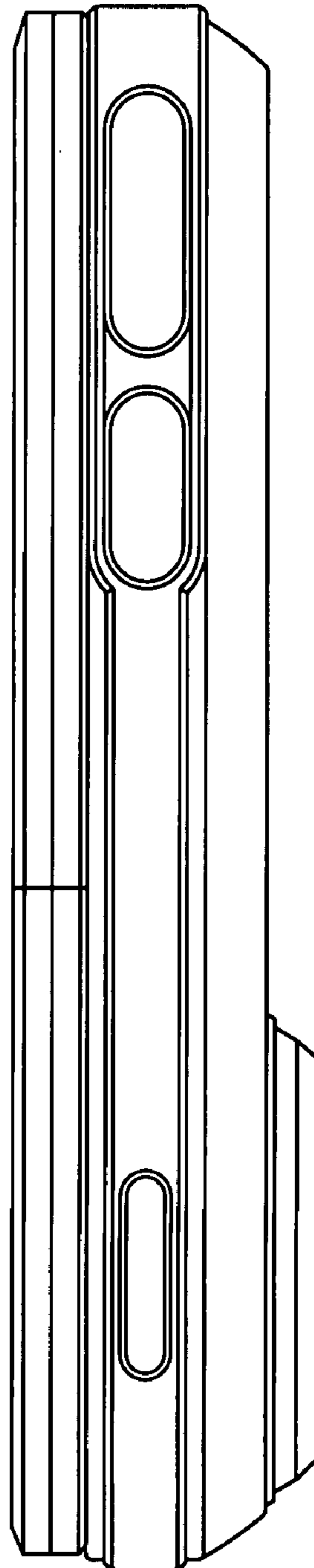


FIG. 6

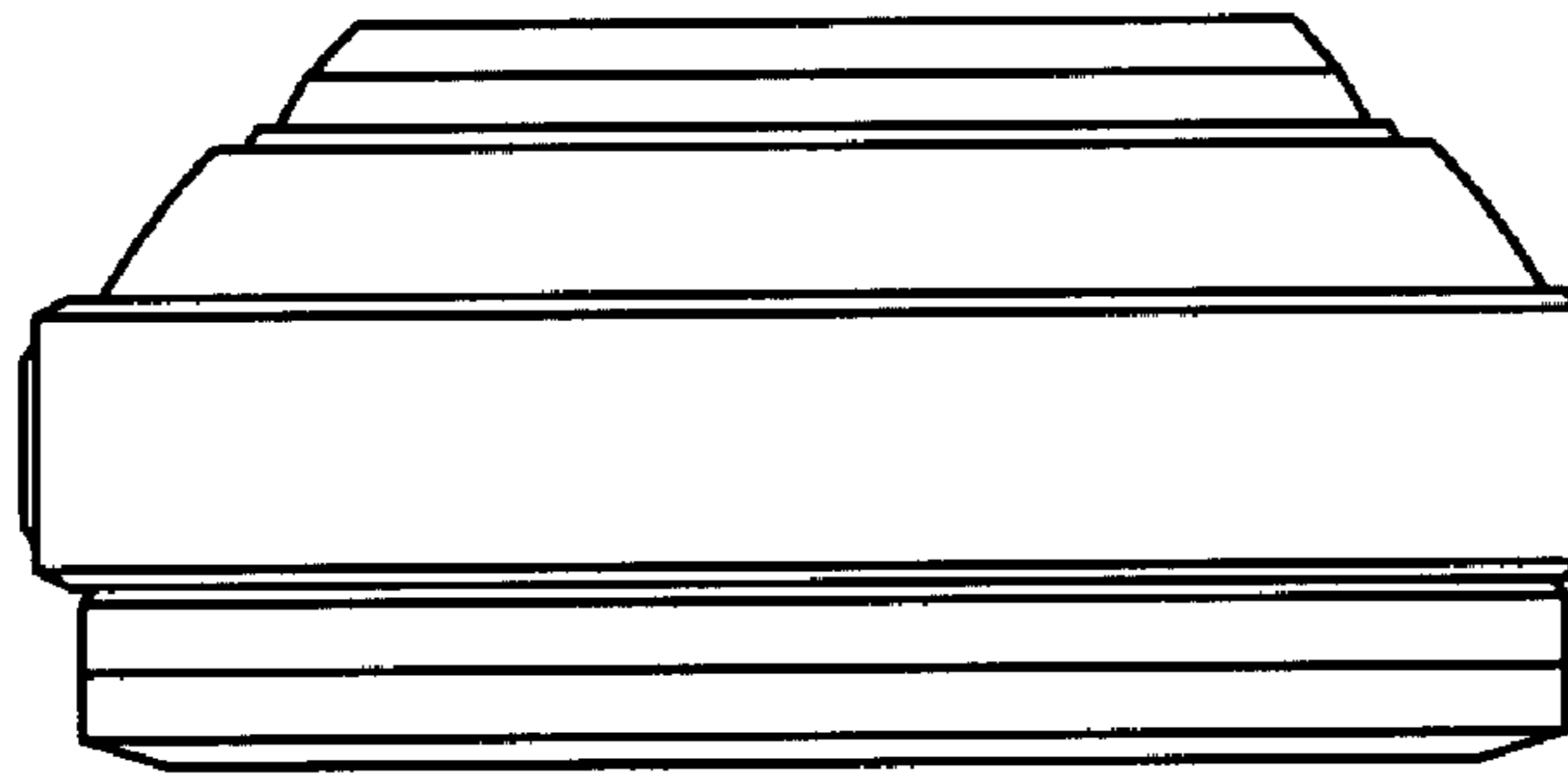


FIG. 7

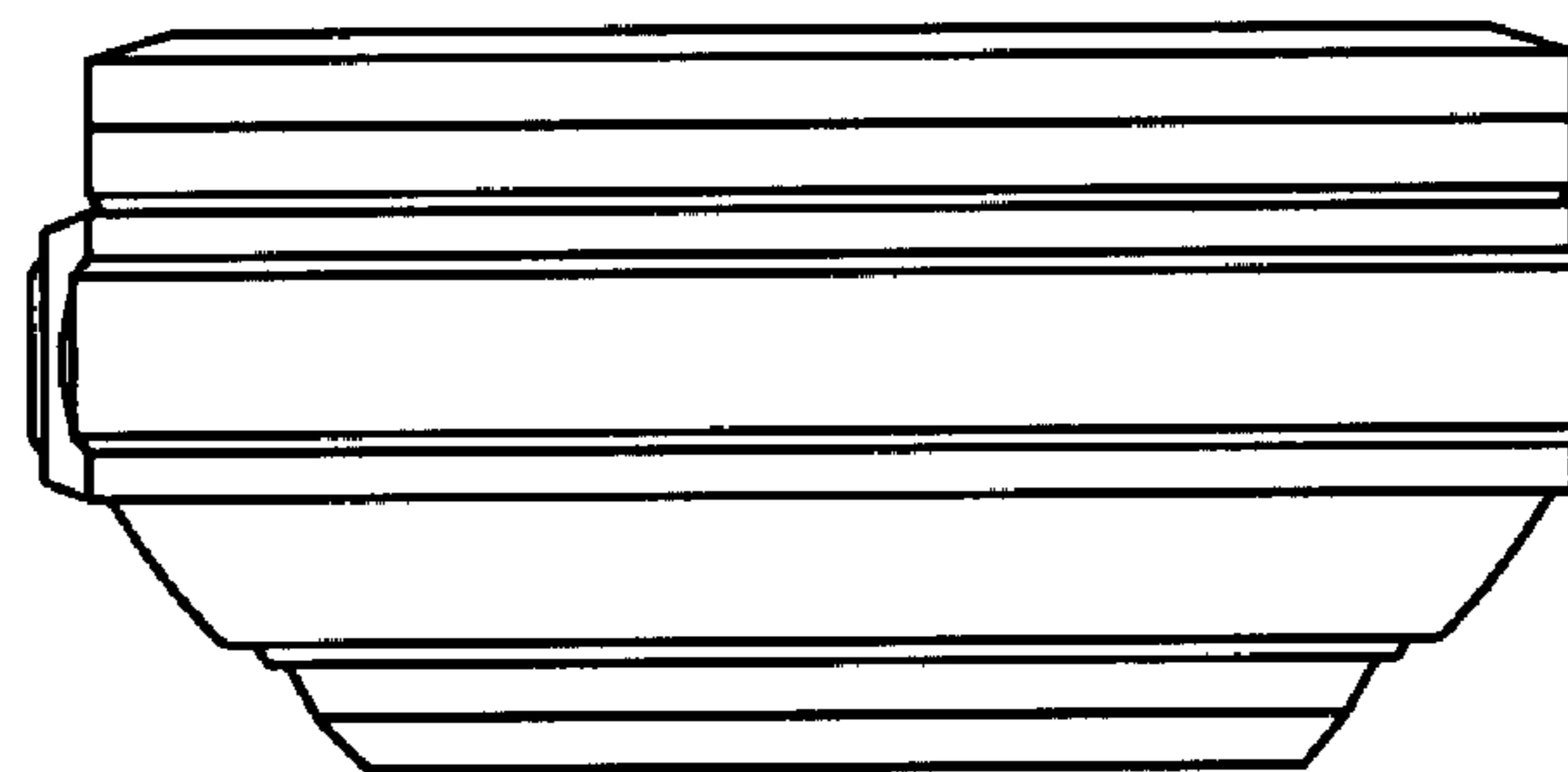


FIG. 8

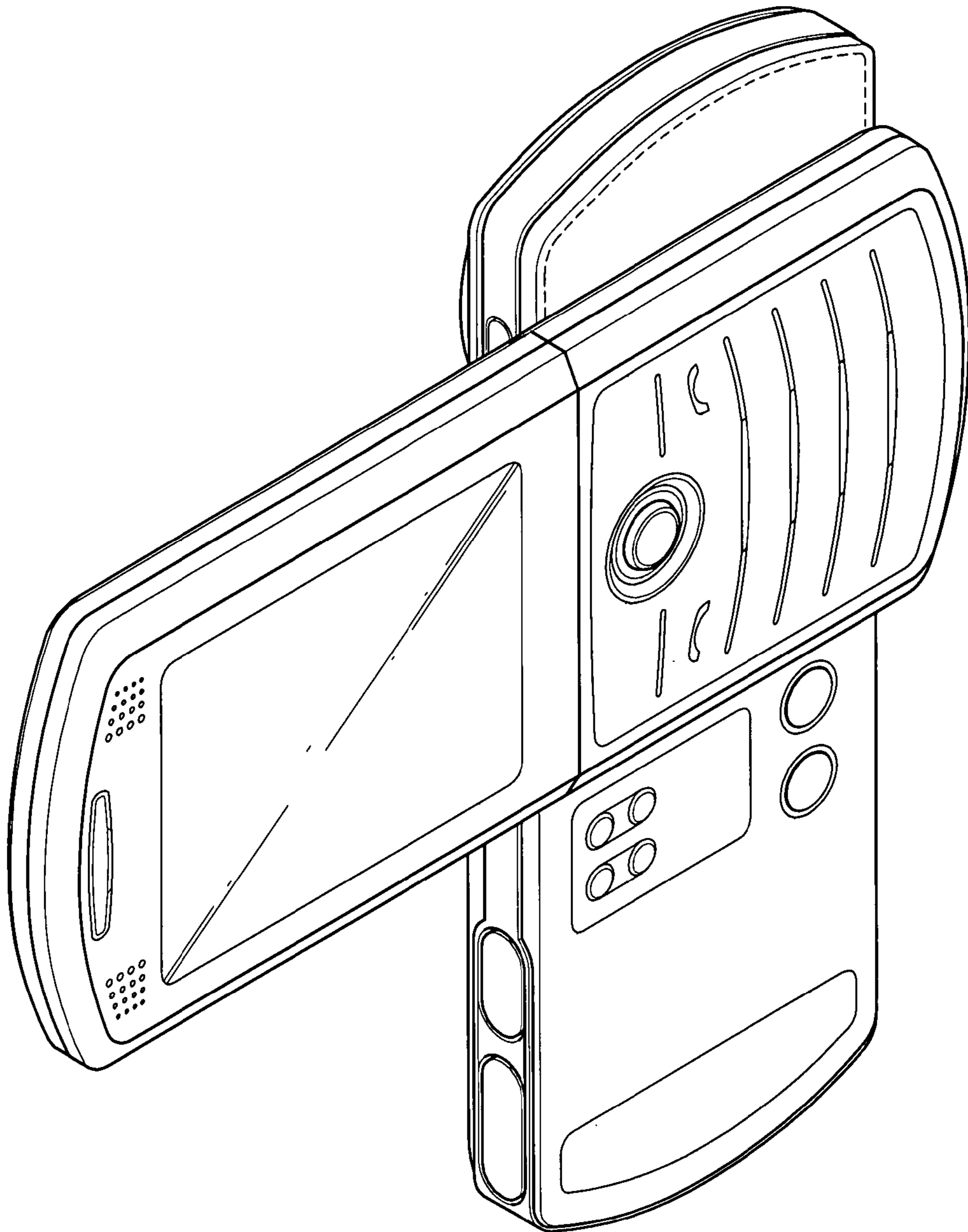


FIG. 9

