

US00D560634S

(12) **United States Design Patent** (10) **Patent No.:** **US D560,634 S**
Lee (45) **Date of Patent:** **** Jan. 29, 2008**

(54) **MOBILE PHONE**

(75) Inventor: **Young-Keun Lee**, Seoul (KR)

(73) Assignee: **Samsung Electronics Co., Ltd.**,
Suwon-Si (KR)

(**) Term: **14 Years**

(21) Appl. No.: **29/254,183**

(22) Filed: **Feb. 21, 2006**

(30) **Foreign Application Priority Data**

Oct. 19, 2005 (KR) 30-2005-0035270

(51) **LOC (8) Cl.** **14-03**

(52) **U.S. Cl.** **D14/138**

(58) **Field of Classification Search** D14/496,
D14/138, 341-347; 455/575.3, 575.1; D21/517,
D21/329, 333

See application file for complete search history.

(56) **References Cited**

U.S. PATENT DOCUMENTS

D496,020 S *	9/2004	Lee	D14/138
D500,480 S *	1/2005	Daw	D14/138
D501,839 S *	2/2005	Lee et al.	D14/138
D502,161 S *	2/2005	Kim et al.	D14/138
D508,032 S *	8/2005	Kim et al.	D14/138
D508,036 S *	8/2005	Wada	D14/138
D510,922 S *	10/2005	Kim et al.	D14/138
D519,970 S *	5/2006	Kang et al.	D14/138
D520,978 S *	5/2006	Lee	D14/138
D530,296 S *	10/2006	Kim et al.	D14/138
D536,685 S *	2/2007	Feng et al.	D14/138
D537,059 S *	2/2007	Hwang	D14/138
D541,780 S *	5/2007	Park et al.	D14/138
D543,172 S *	5/2007	Lee et al.	D14/138
D543,173 S *	5/2007	Park et al.	D14/138
D543,526 S *	5/2007	Jung et al.	D14/138
D543,529 S *	5/2007	Kim et al.	D14/138
D545,285 S *	6/2007	Hong et al.	D14/138
D546,307 S *	7/2007	Lee	D14/138
D546,795 S *	7/2007	Kim et al.	D14/138

2004/0142734 A1 *	7/2004	Kim	455/575.1
2004/0209645 A1 *	10/2004	Park et al.	455/556.1
2005/0113156 A1 *	5/2005	Park et al.	455/575.4
2007/0049357 A1 *	3/2007	Daimon et al.	455/575.1

FOREIGN PATENT DOCUMENTS

WO DM/068836 * 4/2007

OTHER PUBLICATIONS

Samsung E780 telephone, announced 1st Quarter 2006, [online], [retrieved on Aug. 16, 2007]. Retrieved from Internet , <URL: <http://www.gsmarena.com>>.*

Samsung E720 telephone, announced 1st Quarter 2005, [online], [retrieved on Aug. 16, 2007]. Retrieved from Internet , <URL: <http://www.gsmarena.com>>.*

Samsung ZV60 telephone, announced Jul. 2007, [online], [retrieved on Aug. 15, 2007]. Retrieved from Internet , <URL: <http://www.gsmarena.com>>.*

LG U880 telephone, announced Oct. 2005, [online], [retrieved on Aug. 16, 2007]. Retrieved from Internet , <URL: <http://www.gsmarena.com>>.*

* cited by examiner

Primary Examiner—Jeffrey Asch

(74) *Attorney, Agent, or Firm*—Staas & Halsey LLP

(57) **CLAIM**

The ornamental design for the mobile phone, as shown and described.

DESCRIPTION

FIG. 1 is a perspective view of the mobile phone showing my design;

FIG. 2 is a front view thereof;

FIG. 3 is a rear view thereof;

FIG. 4 is a left side view thereof;

FIG. 5 is a right side view thereof;

FIG. 6 is a top plan view thereof;

FIG. 7 is a bottom plan view thereof; and,

FIG. 8 is a perspective, open view thereof.

1 Claim, 3 Drawing Sheets

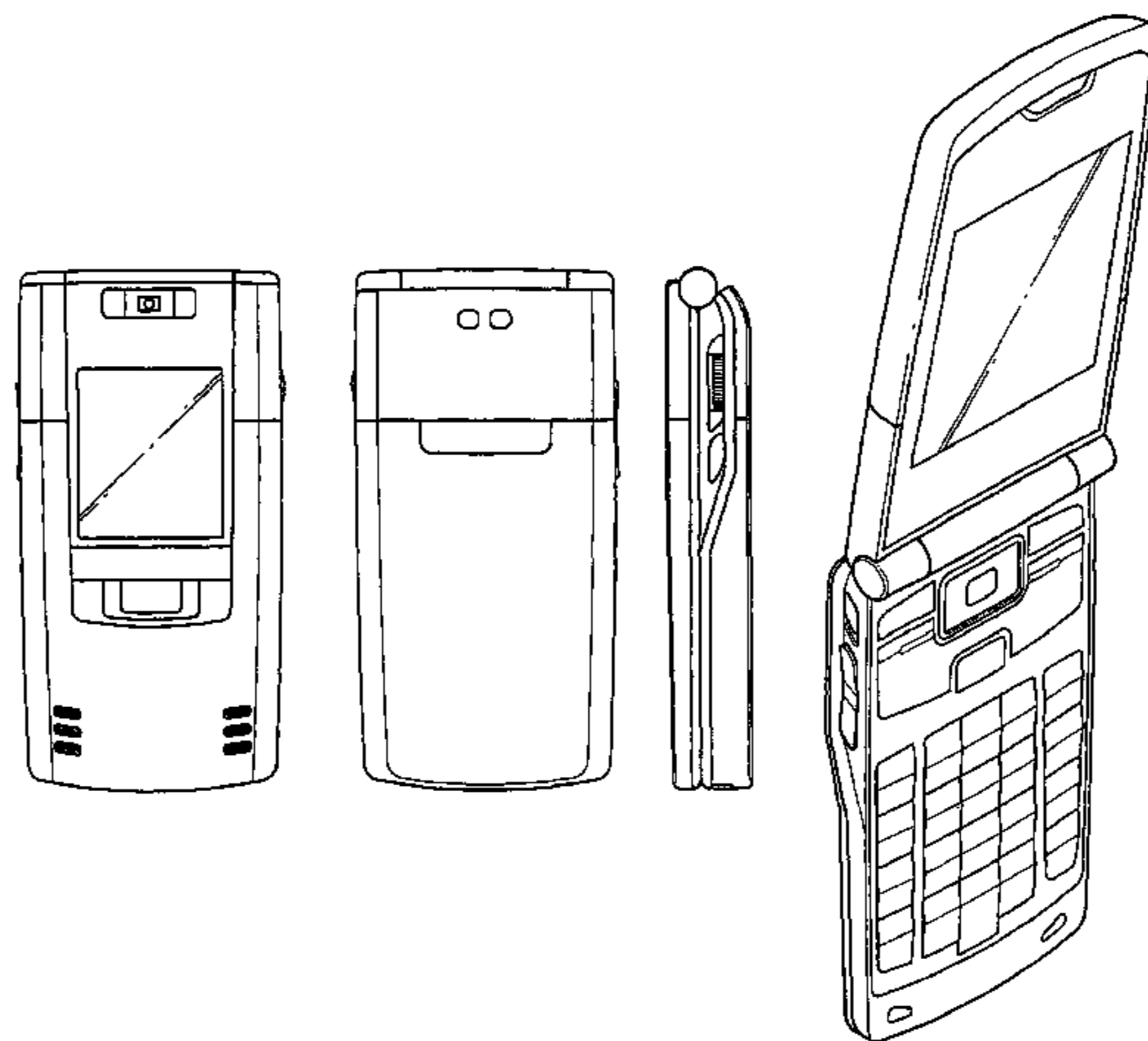


FIG. 1

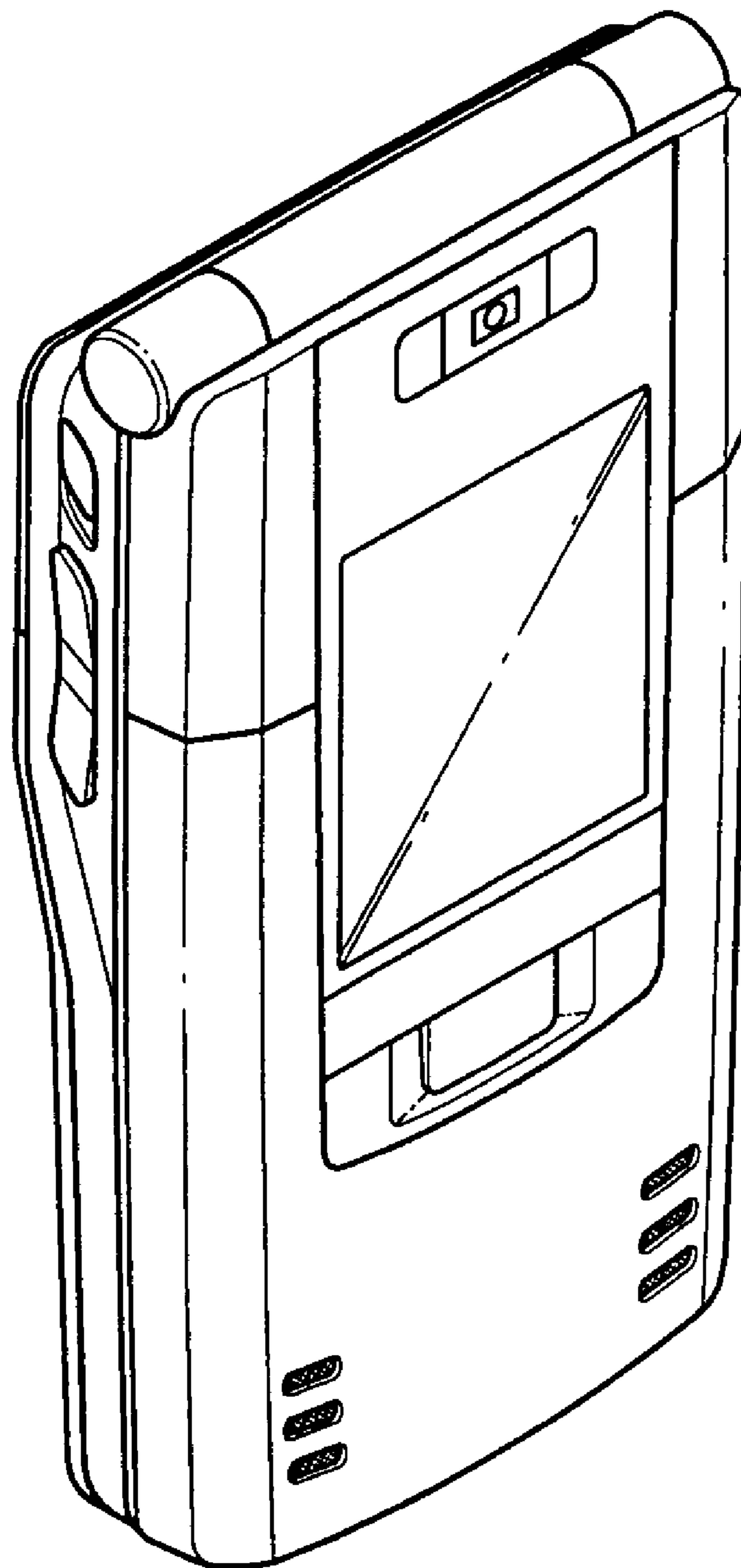


FIG. 2

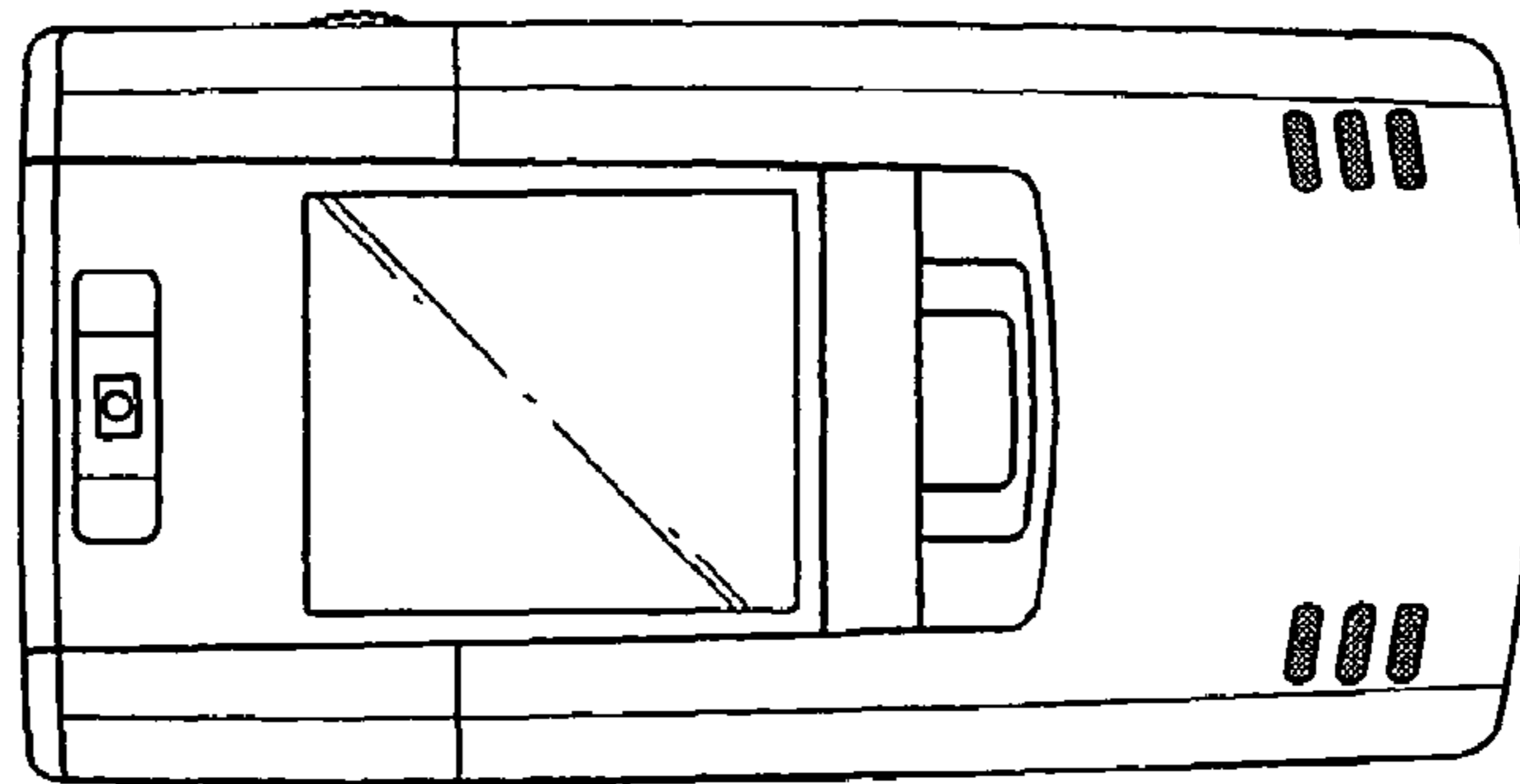


FIG. 3

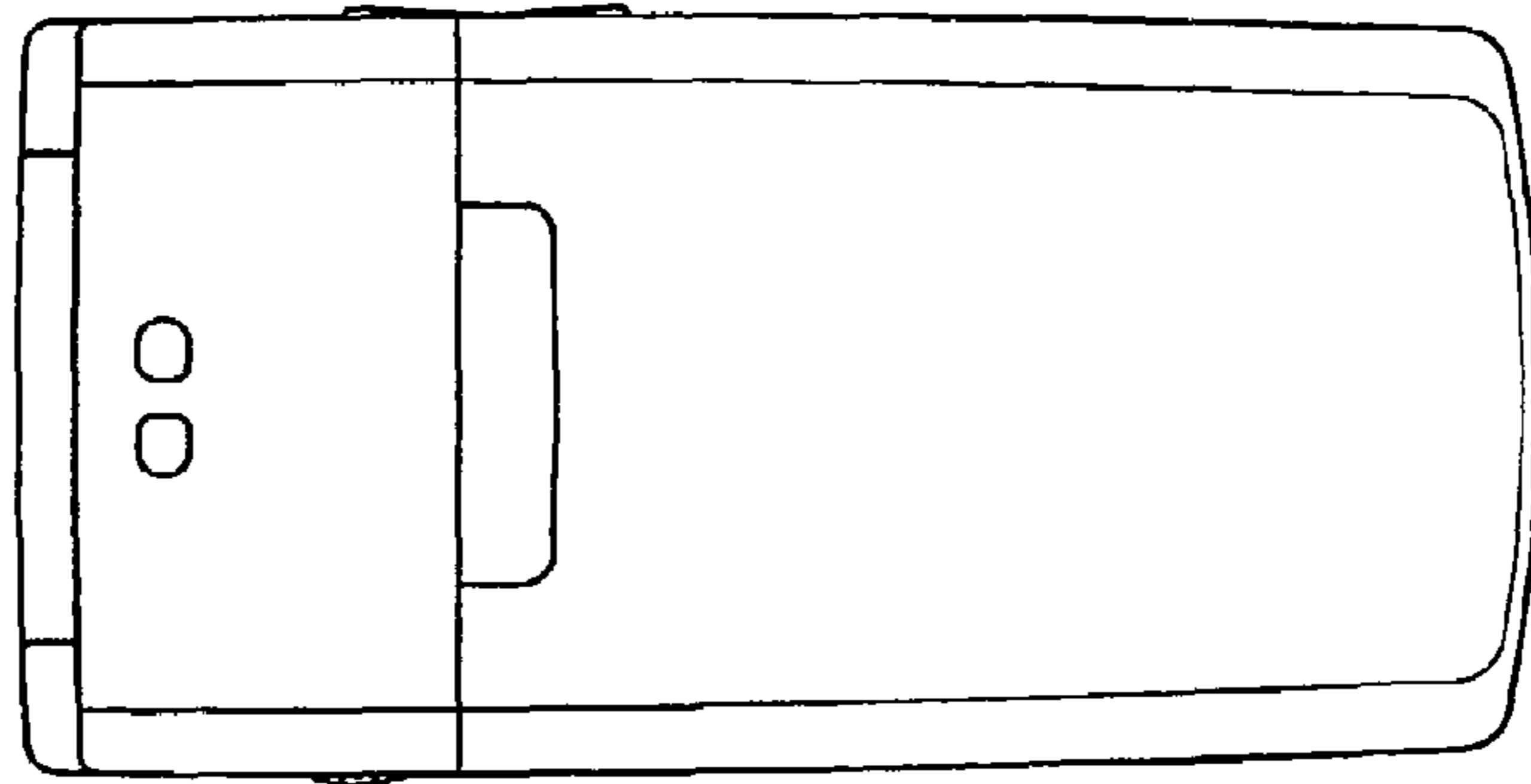


FIG. 4

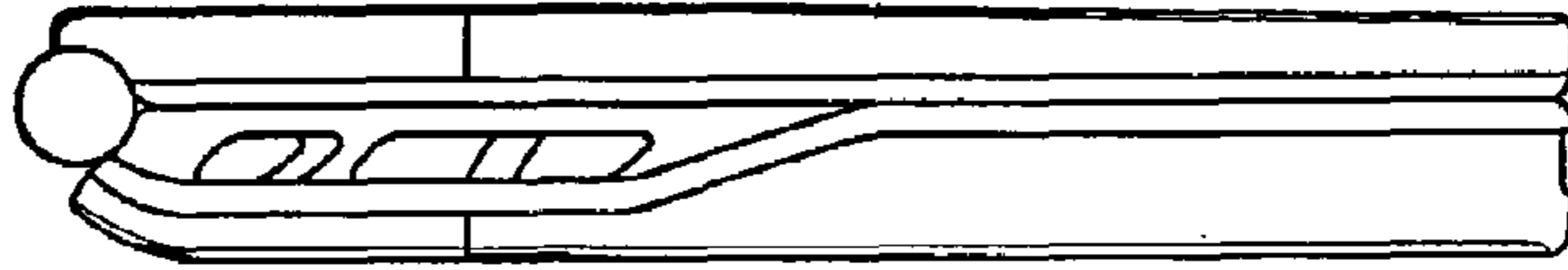


FIG. 5

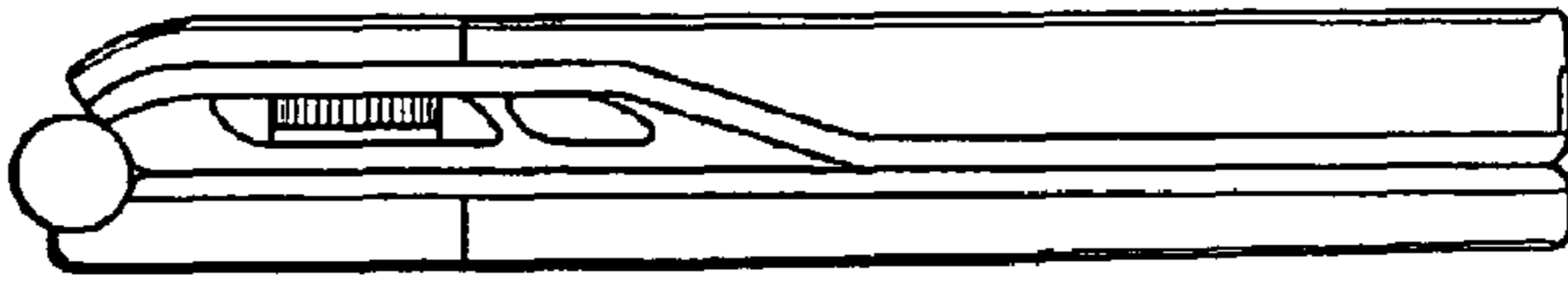


FIG. 6



FIG. 7



FIG. 8

