



US00D560633S

(12) **United States Design Patent** (10) **Patent No.:** **US D560,633 S**
Lyles (45) **Date of Patent:** **** Jan. 29, 2008**

(54) **HANDSET**

(75) Inventor: **Justin Lyles**, San Diego, CA (US)

(73) Assignee: **Nokia Corporation**, Espoo (FI)

(**) Term: **14 Years**

(21) Appl. No.: **29/250,712**

(22) Filed: **Nov. 28, 2006**

(51) **LOC (8) Cl.** **14-03**

(52) **U.S. Cl.** **D14/138**

(58) **Field of Classification Search** D14/137,
D14/138, 147, 218, 341-347, 496; 455/90.3,
455/556.1, 556.2, 575.1, 575.3, 575.4; 379/433.01-433.13;
361/814; 348/14.02
See application file for complete search history.

(56) **References Cited**

U.S. PATENT DOCUMENTS

D407,399 S * 3/1999 Frye et al. D14/138
D408,813 S * 4/1999 Prior D14/138

(Continued)

FOREIGN PATENT DOCUMENTS

WO DM/050048 * 12/1999
WO DM/059670 * 4/2002
WO DM/067023 * 7/2005
WO DM/068447 * 12/2006

OTHER PUBLICATIONS

Nokia 8910, announced 2nd quarter 2002, [online], [retrieved on Feb. 16, 2007]. Retrieved from Internet ,<URL: http://www.gsmarena.com>.*
Nokia 8800, announced 1st quarter 2005, [online], [retrieved on Feb. 16, 2007]. Retrieved from Internet ,<URL: http://www.gsmarena.com>.*

LG KG800, announced Mar. 2006, [online], [retrieved on Feb. 20, 2007]. Retrieved from Internet ,<URL: http://www.gsmarena.com>.*

Nokia 8800 Sirocco, announced Sep. 2006, [online], [retrieved on Feb. 16, 2007]. Retrieved from Internet ,<URL: http://www.gsmarena.com>.*

Primary Examiner—Jeffrey Asch

Assistant Examiner—Bridget L Eland

(74) *Attorney, Agent, or Firm*—Banner & Witcoff, Ltd.

(57) **CLAIM**

The ornamental design for a handset, as shown and described.

DESCRIPTION

FIG. 1 is a bottom plan view of a handset showing my new design;

FIG. 2 is a right side view thereof;

FIG. 3 is a front view thereof;

FIG. 4 is a left side view thereof;

FIG. 5 is a top plan view thereof;

FIG. 6 is a rear view thereof;

FIG. 7 is a perspective front view thereof;

FIG. 8 is a perspective rear view thereof;

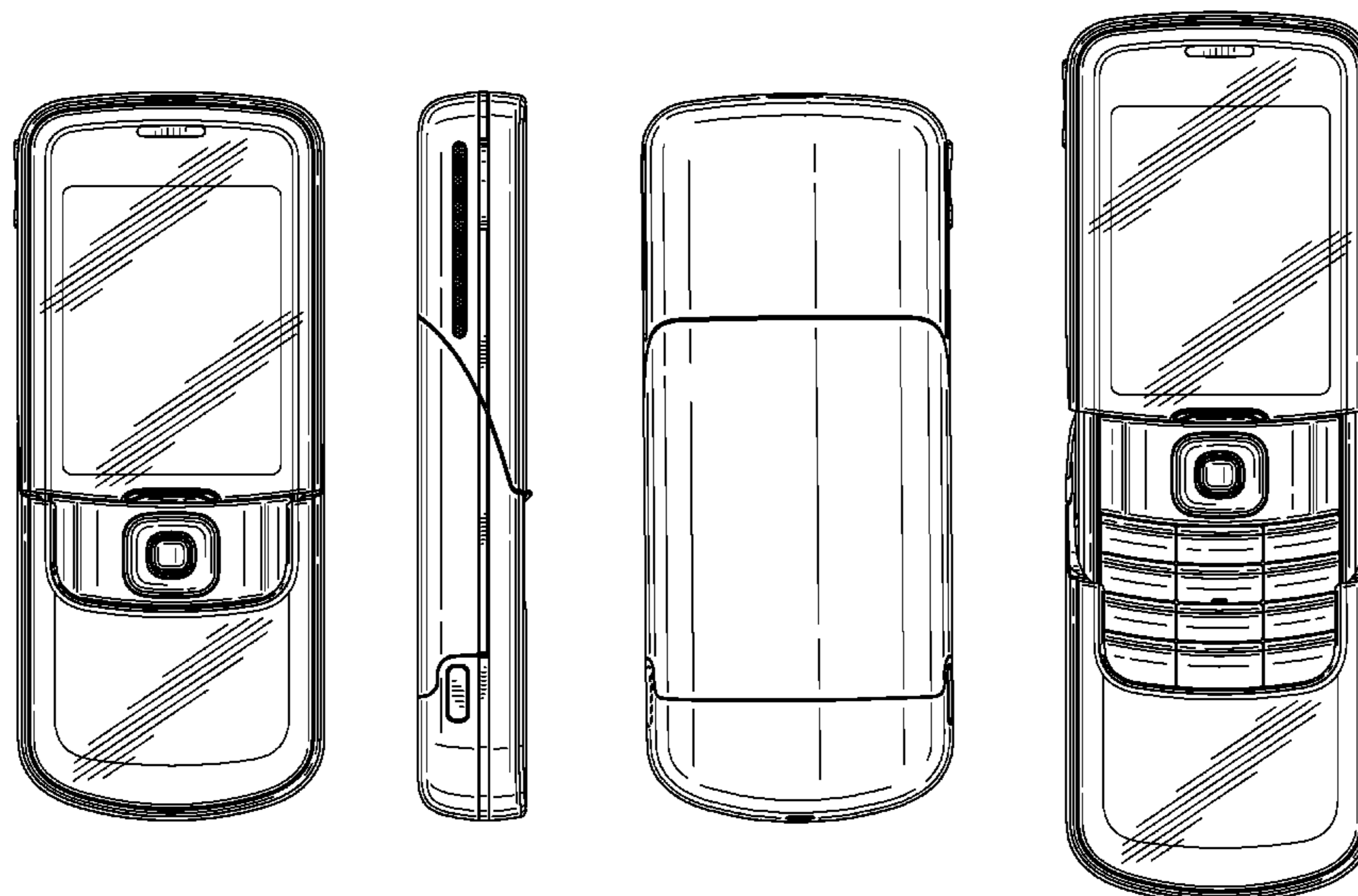
FIG. 9 is a front view of the handset in an open position thereof;

FIG. 10 is a perspective front view of the handset in an open position thereof; and,

FIG. 11 is a rear view thereof.

The broken lines immediately adjacent the shaded areas that encompass unshaded regions represent the bounds of the claimed design, while all other broken lines are directed to environment and are for illustrative purposes only; the broken lines form no part of the claimed design.

1 Claim, 6 Drawing Sheets



US D560,633 S

Page 2

U.S. PATENT DOCUMENTS

| | | | | | | | |
|--------------|---------|-------------------------|---------|-------------------|---------|----------------------|-----------|
| D427,171 S * | 6/2000 | Frye et al. | D14/138 | D531,610 S * | 11/2006 | Kim et al. | D14/138 |
| D430,128 S * | 8/2000 | Hino et al. | D14/138 | D534,515 S * | 1/2007 | Kim et al. | D14/138 |
| D445,409 S * | 7/2001 | Segers | D14/138 | D534,516 S * | 1/2007 | Lheem | D14/138 |
| D455,137 S * | 4/2002 | Wang | D14/138 | D534,891 S * | 1/2007 | Park et al. | D14/138 |
| D475,033 S * | 5/2003 | Lehtonen | D14/138 | D536,691 S * | 2/2007 | Park | D14/138 |
| D478,075 S * | 8/2003 | Hayes | D14/343 | D539,815 S * | 4/2007 | Lai et al. | D14/496 |
| D479,214 S * | 9/2003 | Bertrand et al. | D14/138 | 2005/0009582 A1 * | 1/2005 | Vooi-Kia et al. | 455/575.4 |
| D525,610 S * | 7/2006 | Kim et al. | D14/138 | 2005/0059443 A1 * | 3/2005 | Pan et al. | 455/575.4 |
| D528,095 S * | 9/2006 | Kwon et al. | D14/138 | 2005/0079902 A1 * | 4/2005 | Chen et al. | 455/575.4 |
| D528,532 S * | 9/2006 | Dimitriadis et al. | D14/138 | 2006/0205451 A1 * | 9/2006 | Pan | 455/575.4 |
| D529,887 S * | 10/2006 | Chung et al. | D14/138 | 2006/0258411 A1 * | 11/2006 | Yueh | 455/575.2 |
| D530,295 S * | 10/2006 | Chung et al. | D14/138 | | | | |

* cited by examiner

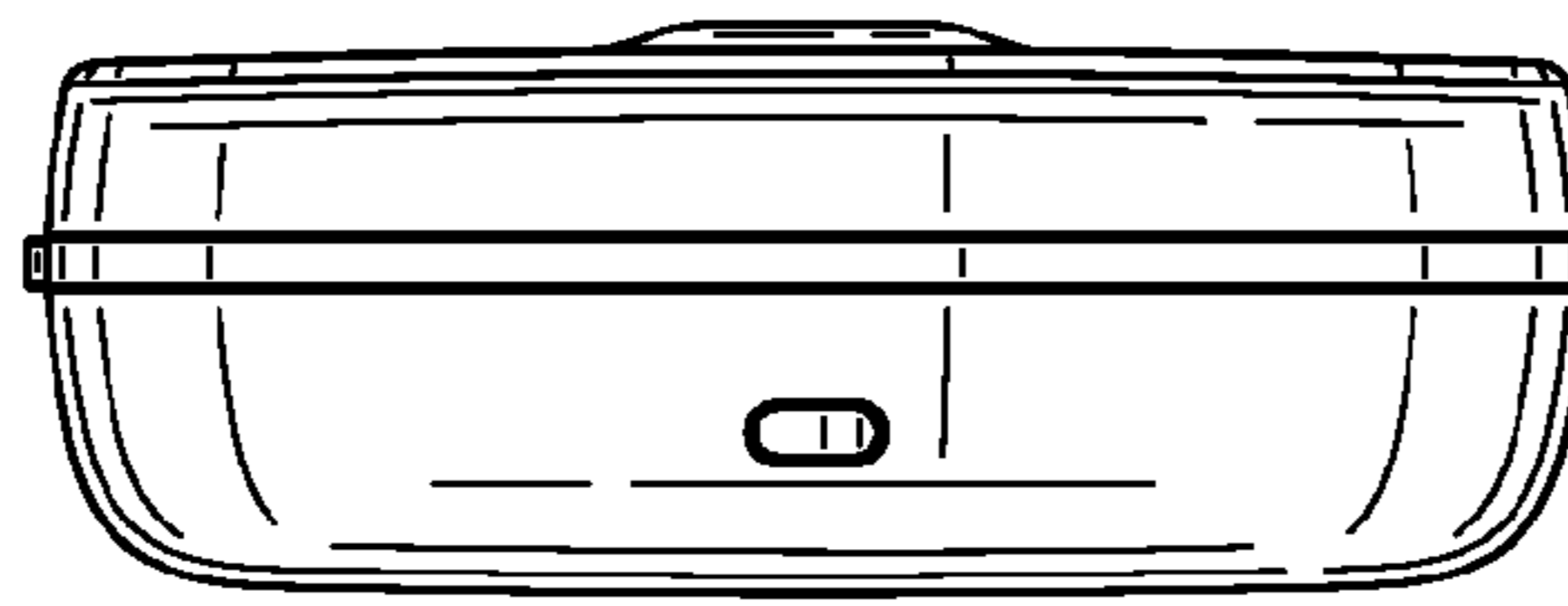


FIG. 1

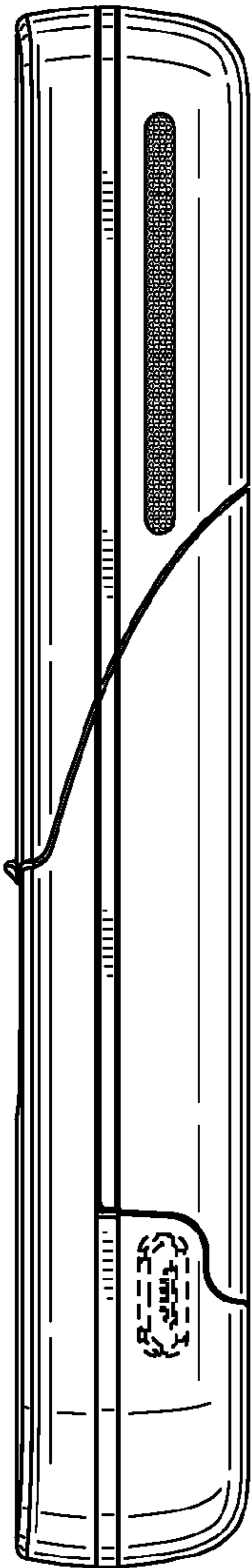


FIG. 2

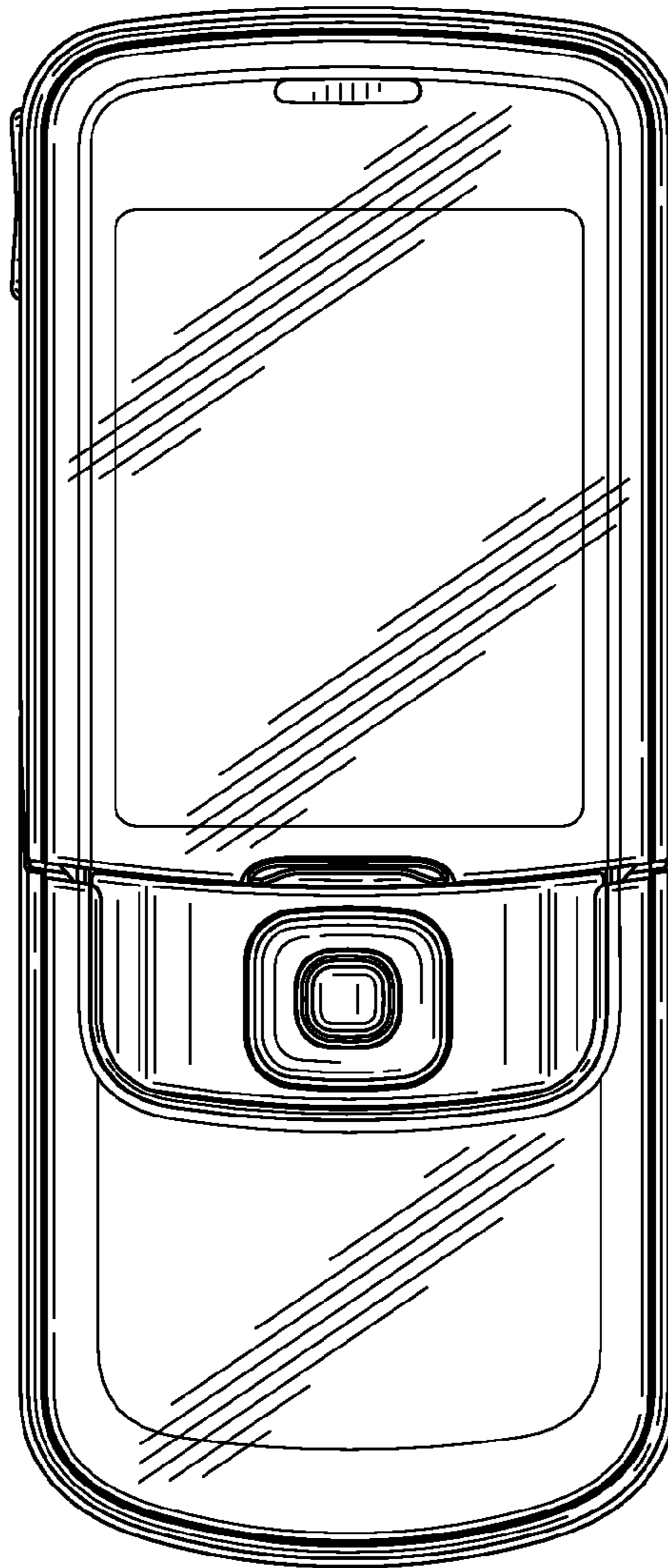


FIG. 3

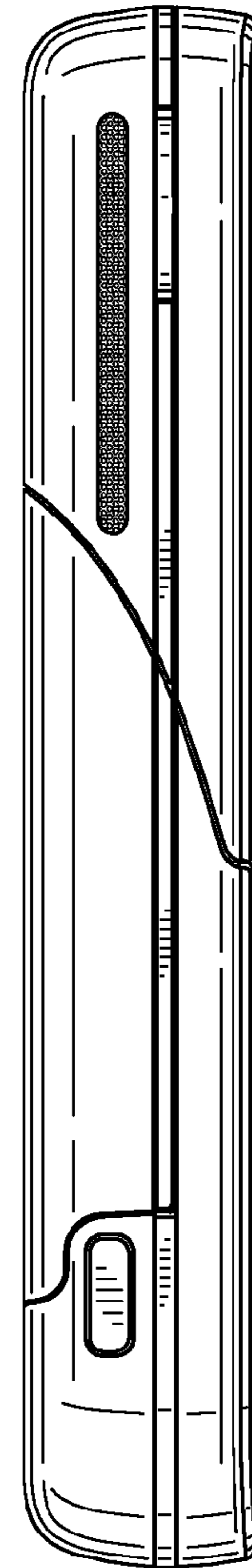


FIG. 4

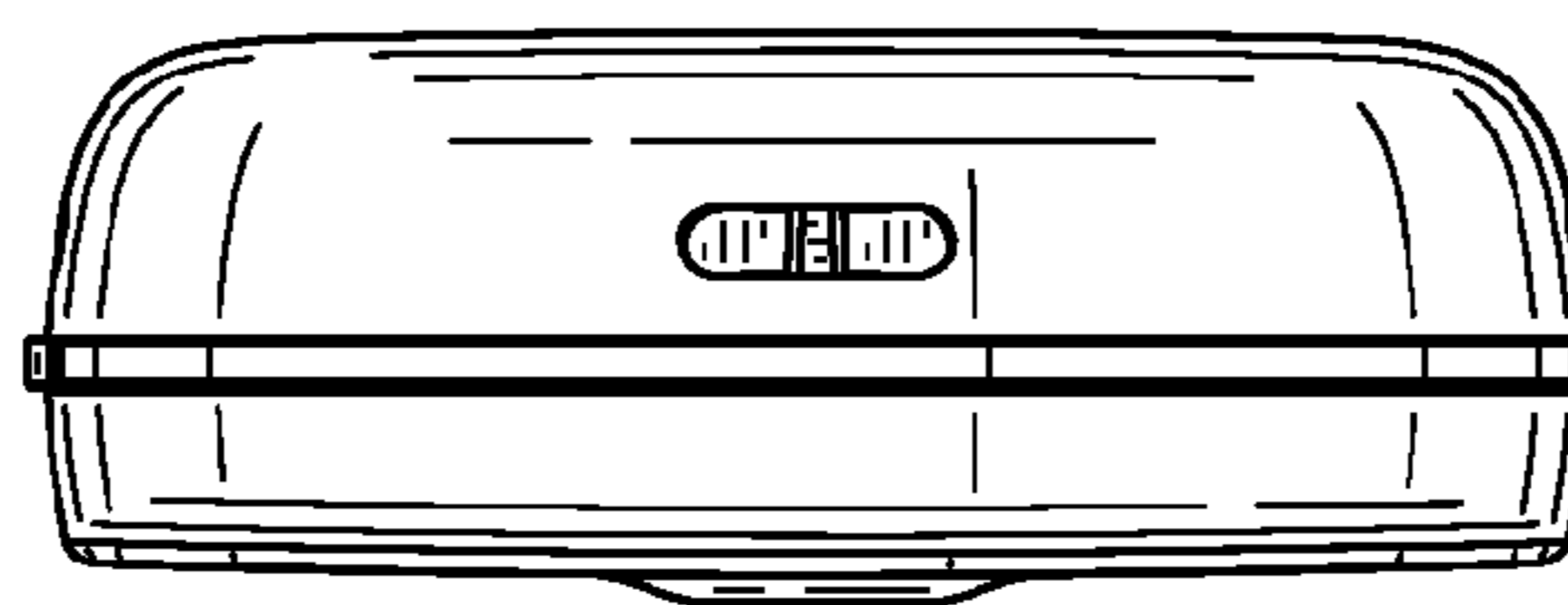


FIG. 5

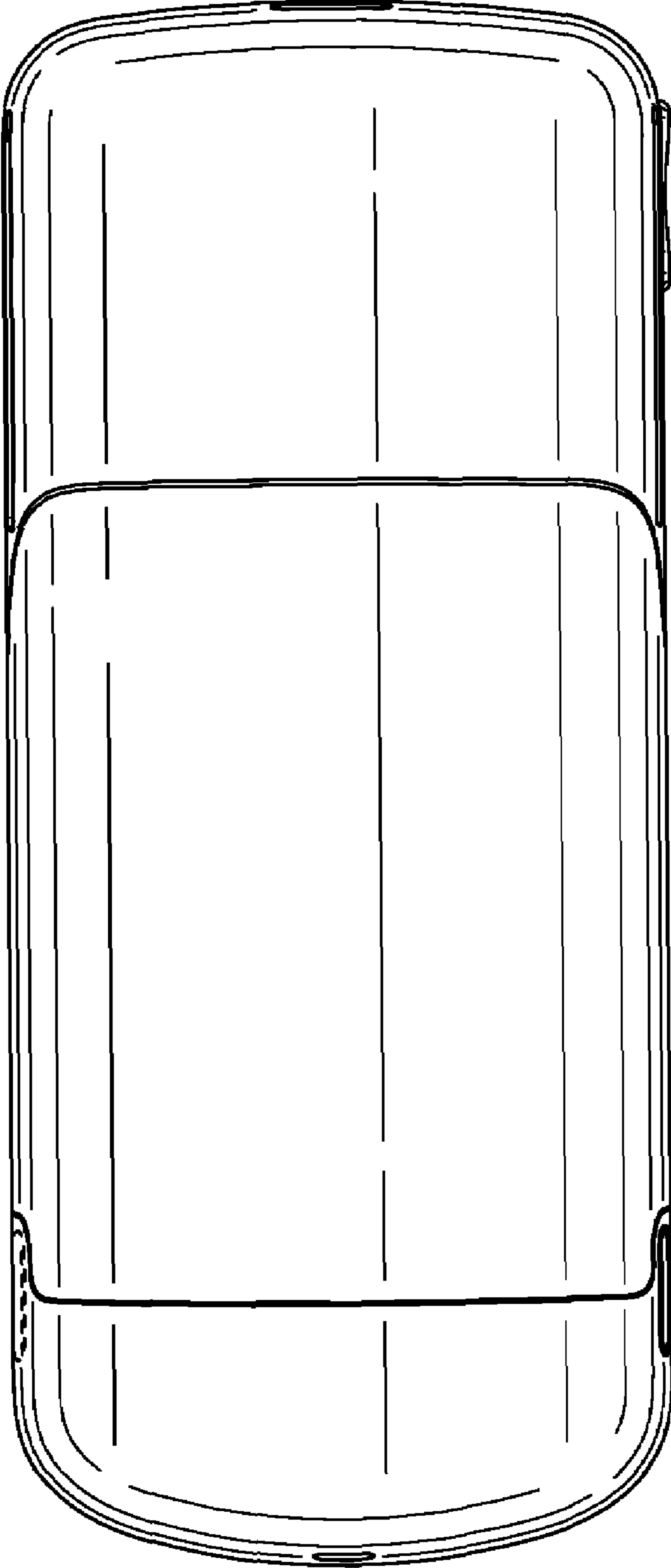


FIG. 6



FIG. 7

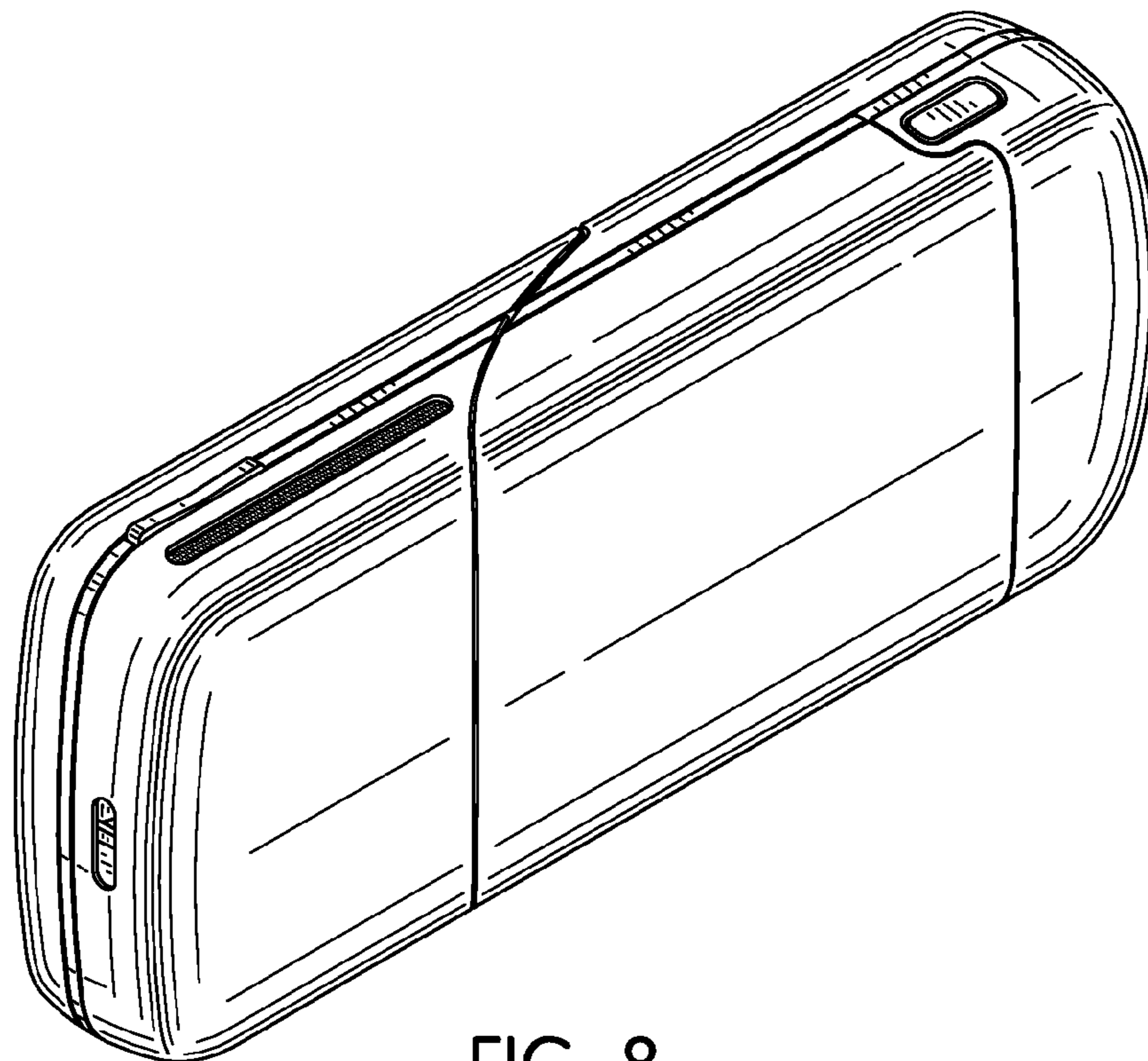


FIG. 8

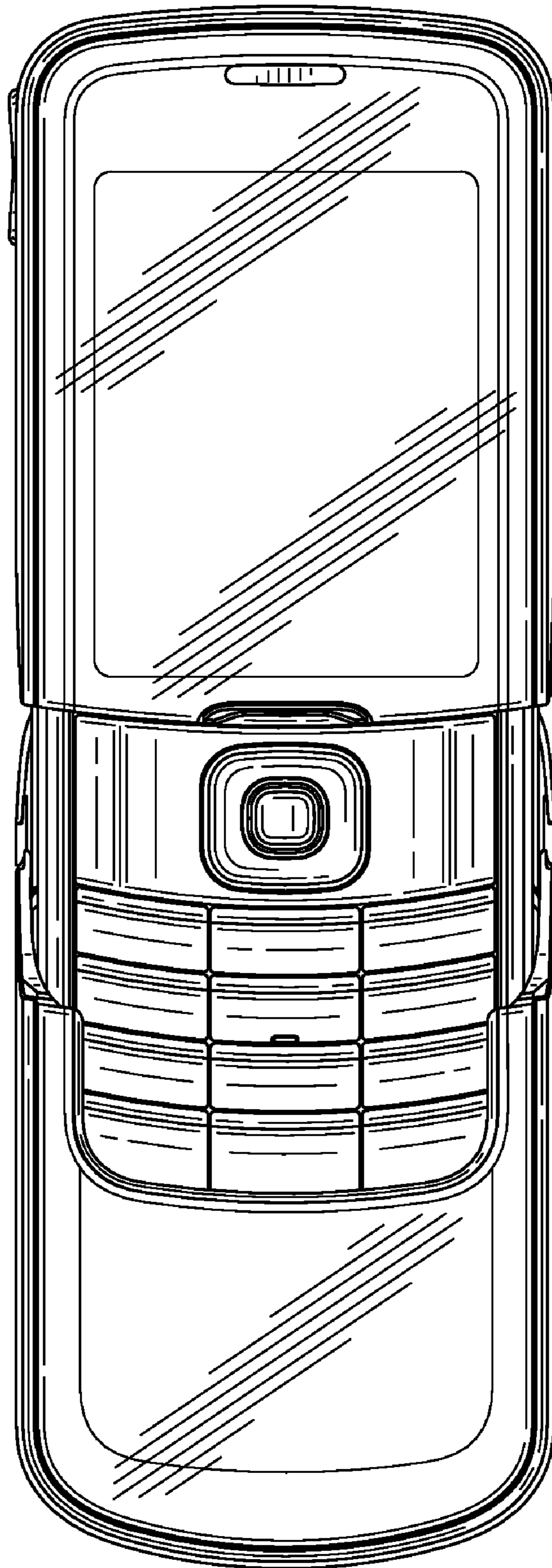


FIG. 9

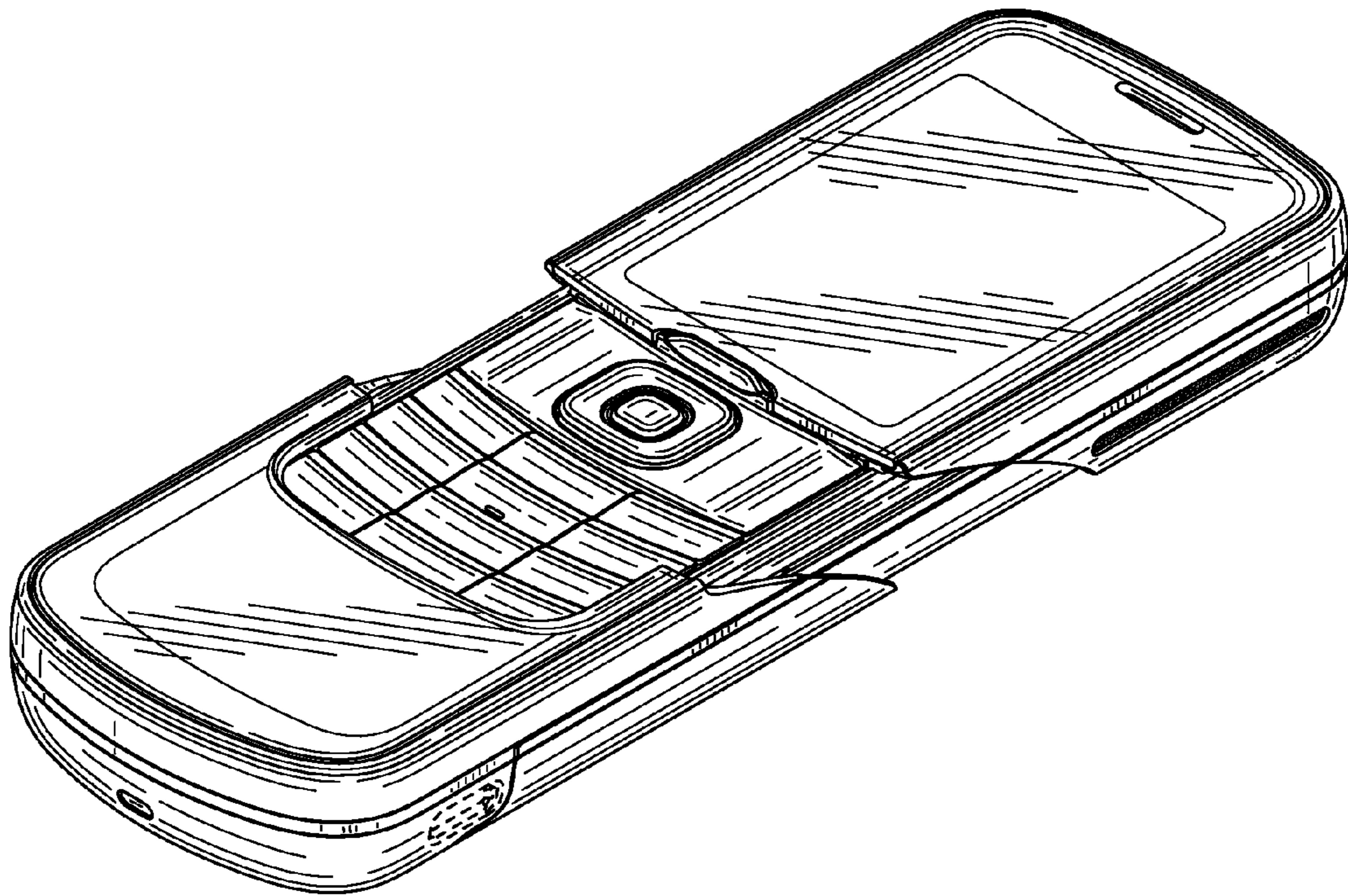


FIG. 10

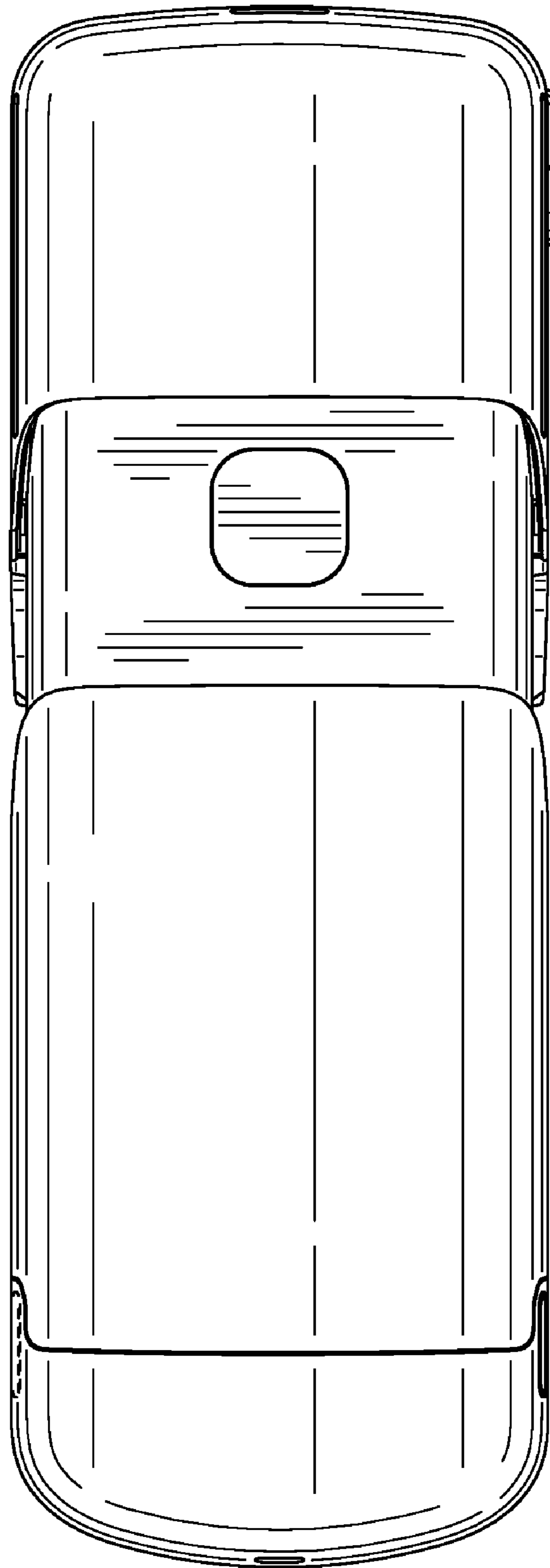


FIG. 11