



US00D560627S

(12) **United States Design Patent**
Park et al.

(10) **Patent No.:** **US D560,627 S**
(45) **Date of Patent:** **** Jan. 29, 2008**

- (54) **DVD RECORDER**
- (75) Inventors: **Jung-Hyun Park**, Seoul (KR);
Hyun-Teak Lim, Seoul (KR); **Min-Ho Cha**, Seoul (KR)
- (73) Assignee: **Samsung Electronics Co., Ltd.**,
Kyunggi-Do (KR)
- (**) Term: **14 Years**
- (21) Appl. No.: **29/269,993**
- (22) Filed: **Dec. 12, 2006**
- (51) **LOC (8) Cl.** **14-01**
- (52) **U.S. Cl.** **D14/136**
- (58) **Field of Classification Search** D14/135–136,
D14/156–157, 167–168, 197–198, 188, 357,
D14/445; 360/99.02, 99.07, 137; 369/75.11,
369/75.21, 77.21, 77.11; 720/612, 619, 647,
720/655; 455/344, 347–351
See application file for complete search history.

- D521,966 S 5/2006 Kim et al.
- D521,967 S 5/2006 Lim
- D522,986 S 6/2006 Kwon et al.
- D523,832 S 6/2006 Kwon et al.
- D525,958 S 8/2006 Kwon et al.
- D526,294 S 8/2006 Kwon et al.
- D526,979 S 8/2006 Lim
- D526,980 S 8/2006 Kwon et al.
- D526,981 S 8/2006 Kim et al.
- D528,525 S 9/2006 Cho et al.
- D529,464 S 10/2006 Lim et al.
- D529,885 S 10/2006 Park et al.
- D530,692 S 10/2006 Lim et al.
- D530,693 S 10/2006 Park et al.
- D530,694 S 10/2006 Park
- D530,695 S 10/2006 Park
- D531,153 S 10/2006 Lim et al.
- D533,159 S 12/2006 Kim et al.

(56) **References Cited**

U.S. PATENT DOCUMENTS

- D311,731 S * 10/1990 Yang D14/135
- D311,915 S * 11/1990 Hong D14/135
- 5,172,360 A * 12/1992 Decoster 720/601
- D459,709 S * 7/2002 Kojima et al. D14/136
- D472,534 S * 4/2003 Ueno et al. D14/136
- D501,659 S * 2/2005 Yamaji D14/156
- D509,811 S * 9/2005 Usami et al. D14/136
- D512,700 S * 12/2005 Sonoda D14/136
- D519,960 S 5/2006 Kwon et al.
- D519,962 S 5/2006 Kim et al.
- D519,963 S 5/2006 Lim et al.
- D520,478 S 5/2006 Kwon et al.
- D520,479 S 5/2006 Kwon et al.
- D520,480 S 5/2006 Kwon et al.
- D520,481 S 5/2006 Lim et al.
- D520,973 S 5/2006 Kwon et al.
- D520,974 S 5/2006 Lim
- D520,975 S 5/2006 Kim et al.
- D521,965 S 5/2006 Ko et al.

OTHER PUBLICATIONS

U.S. Appl. No. 29/259,105, Applicant: Jin-Wook Kim, filed May 2, 2006 entitled Digital Video Recorder.

(Continued)

Primary Examiner—Nanda Bondade

(74) *Attorney, Agent, or Firm*—Flynn, Thiel, Boutell & Tanis, P.C.

(57) **CLAIM**

The ornamental design for a DVD recorder, as shown and described.

DESCRIPTION

FIG. 1 is a top front perspective view of a DVD recorder showing our new design;

FIG. 2 is a front elevational view thereof;

FIG. 3 is a rear elevational view thereof;

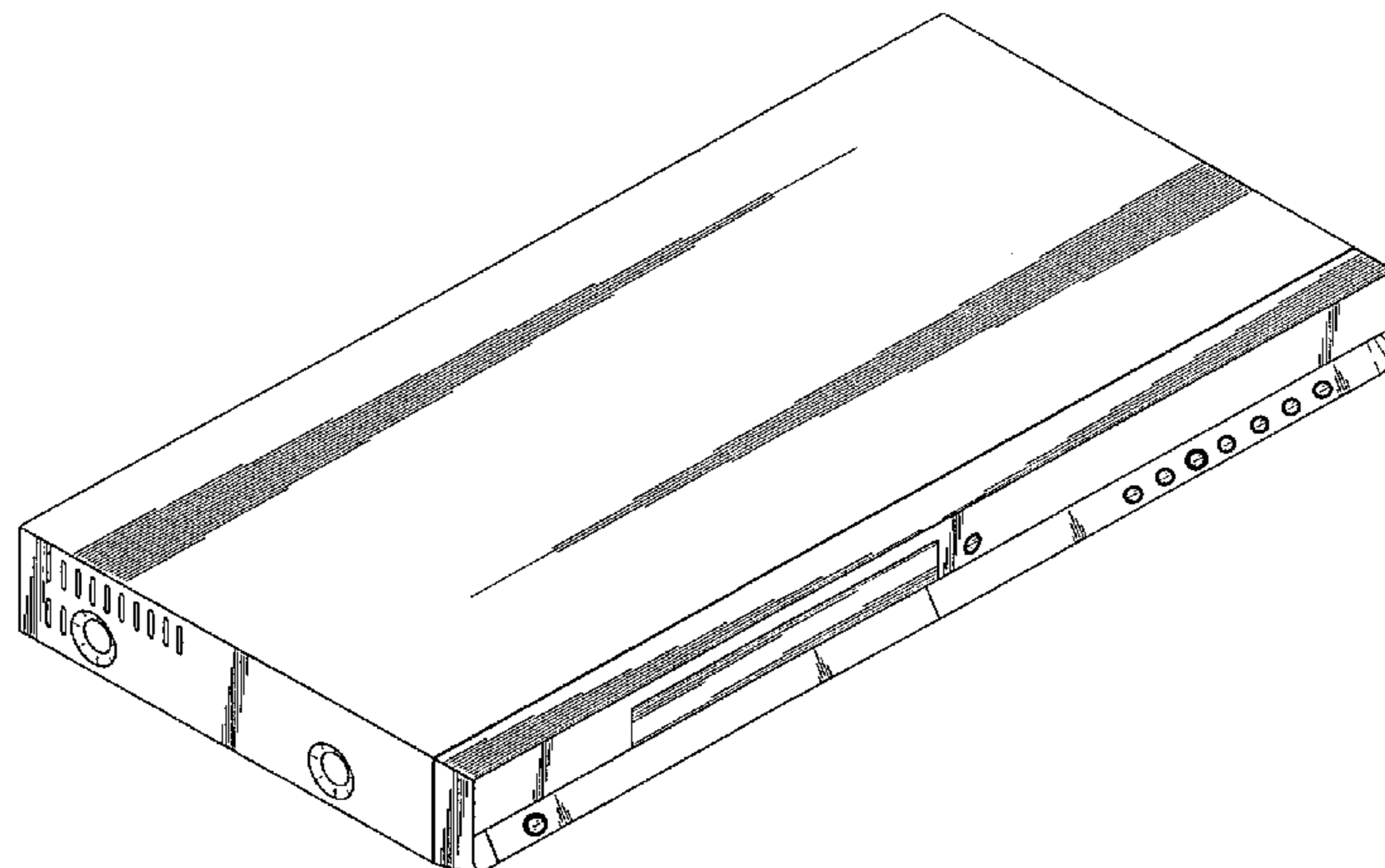
FIG. 4 is a left side elevational view thereof;

FIG. 5 is a right side elevational view thereof;

FIG. 6 is a top plan view thereof; and,

FIG. 7 is a bottom plan view thereof.

1 Claim, 4 Drawing Sheets



OTHER PUBLICATIONS

U.S. Appl. No. 29/237,119, Applicant: Hyun-Teak Lim, et al., filed Aug. 26, 2005 entitled Blu-Ray Disk Player (D 536 682).

U.S. Appl. No. 29/237,123, Applicant: Hyun-Teak Lim, et al., filed Aug. 26, 2005 entitled DVD Recorder (D 536 683).

U.S. Appl. No. 29/237,124, Applicant: Hyun-Teak Lim, et al., filed Aug. 26, 2005 entitled DVD Recorder.

U.S. Appl. No. 29/241,755, Applicant: Jung-Hyun Park, filed Oct. 31, 2005 entitled DVD Recorder.

U.S. Appl. No. 29/241,756, Applicant: Jung-Hyun Park, filed Oct. 31, 2005 entitled Complex Image Player.

U.S. Appl. No. 29/241,757, Applicant: Jung-Hyun Park, filed Oct. 31, 2005 entitled Complex Image Player.

U.S. Appl. No. 29/241,751, Applicant: Jung-Hyun Park, filed Oct. 31, 2005 entitled DVD Recorder.

U.S. Appl. No. 29/269,994, Applicant: Jung-Hyun Park, filed Dec. 12, 2006 entitled DVD Player.

U.S. Appl. No. 29/269,995, Applicant: Jung-Hyun Park, filed Dec. 12, 2006 entitled DVD Recorder.

U.S. Appl. No. 29/269,996, Applicant: Jung-Hyun Park, filed Dec. 12, 2006 entitled DVD Recorder.

U.S. Appl. No. 29/269,992, Applicant: Jung-Hyun Park, filed Dec. 12, 2006 entitled DVD Recorder.

U.S. Appl. No. 29/269,991, Applicant: Jung-Hyun Park, filed Dec. 12, 2006 entitled DVD Recorder.

U.S. Appl. No. 29/269,990, Applicant: Ju-Won Cho, et al., filed Dec. 12, 2006 entitled DVD Recorder.

* cited by examiner

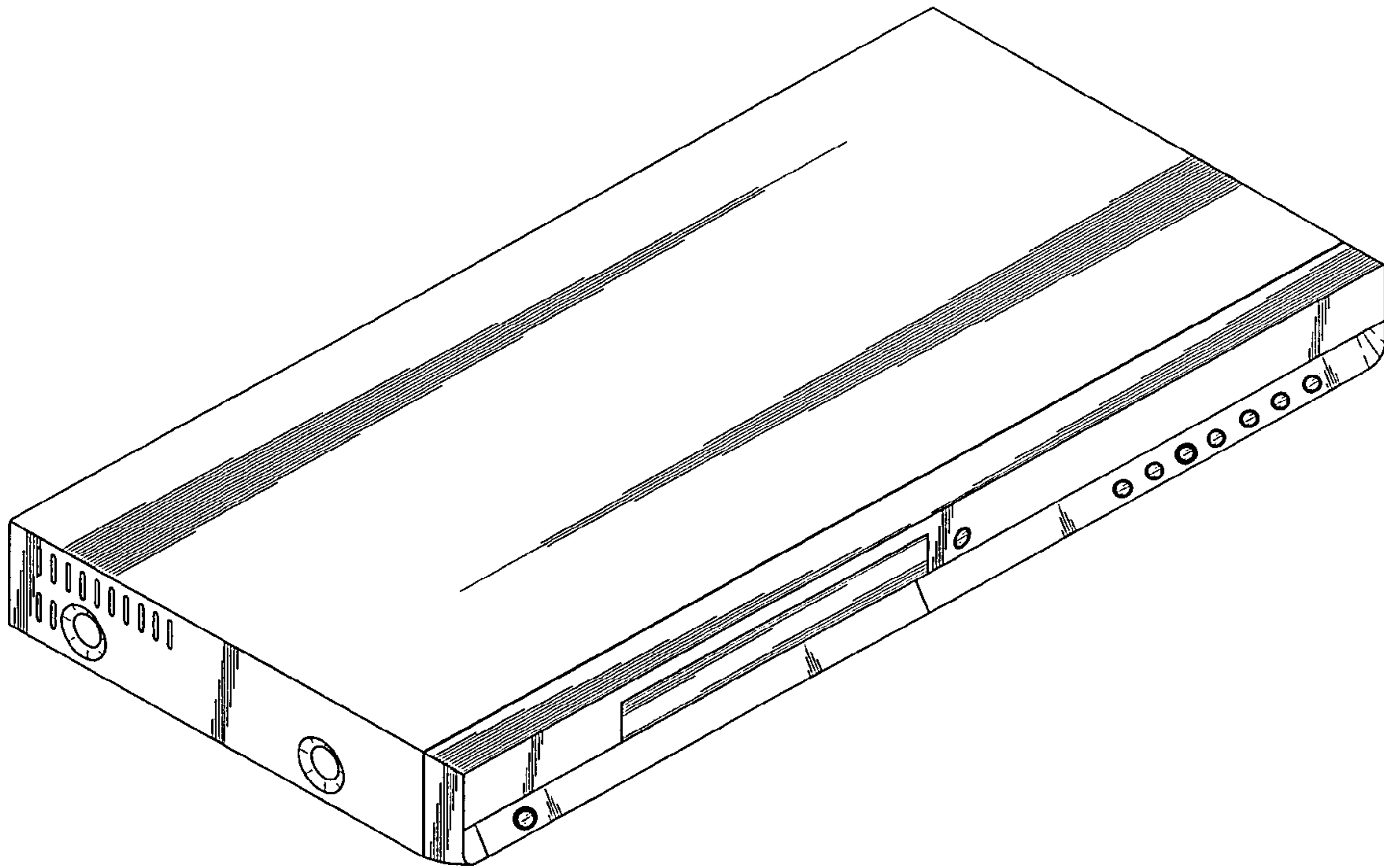


FIG. 1

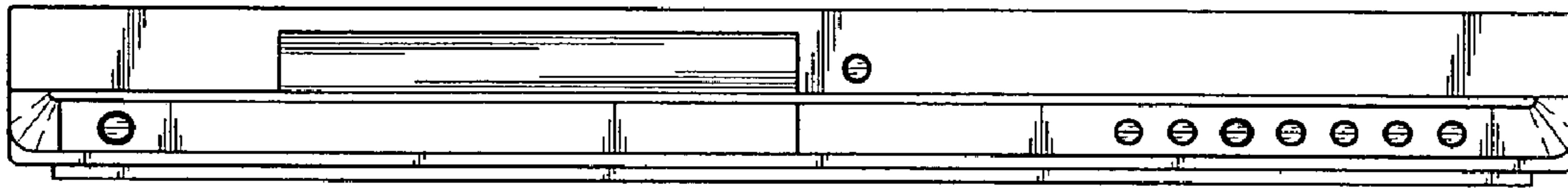


FIG. 2

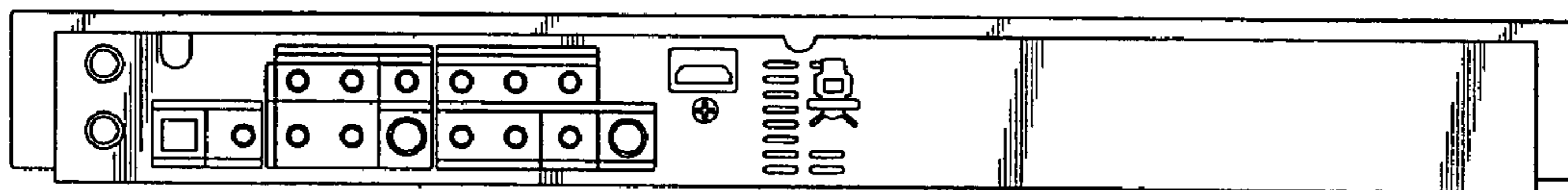


FIG. 3

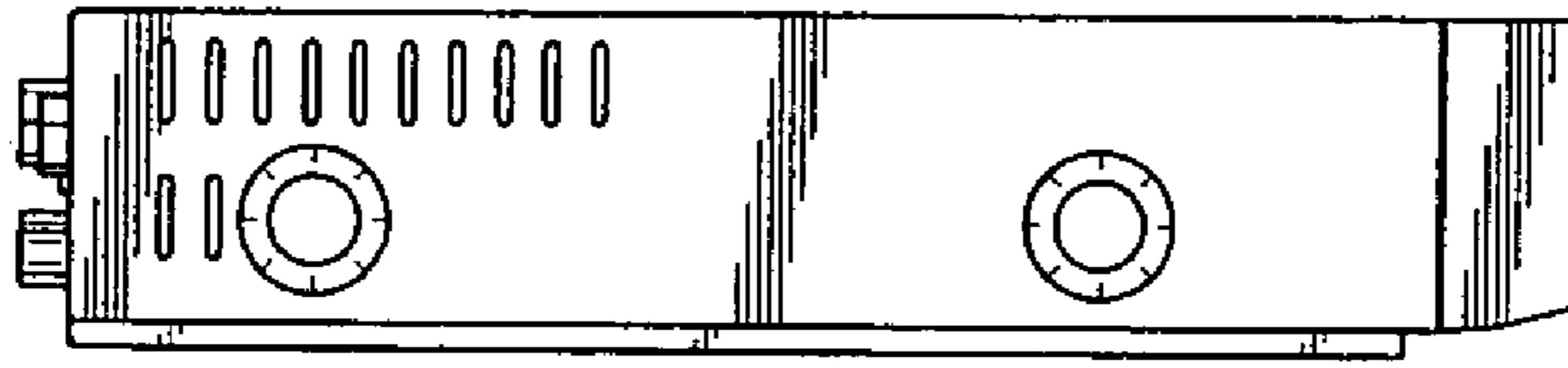


FIG. 4

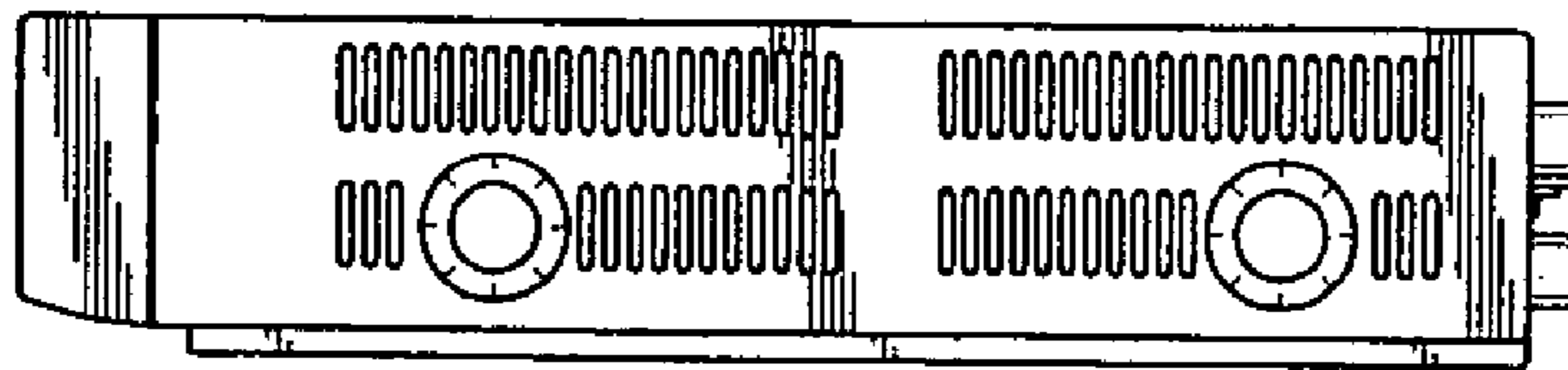


FIG. 5

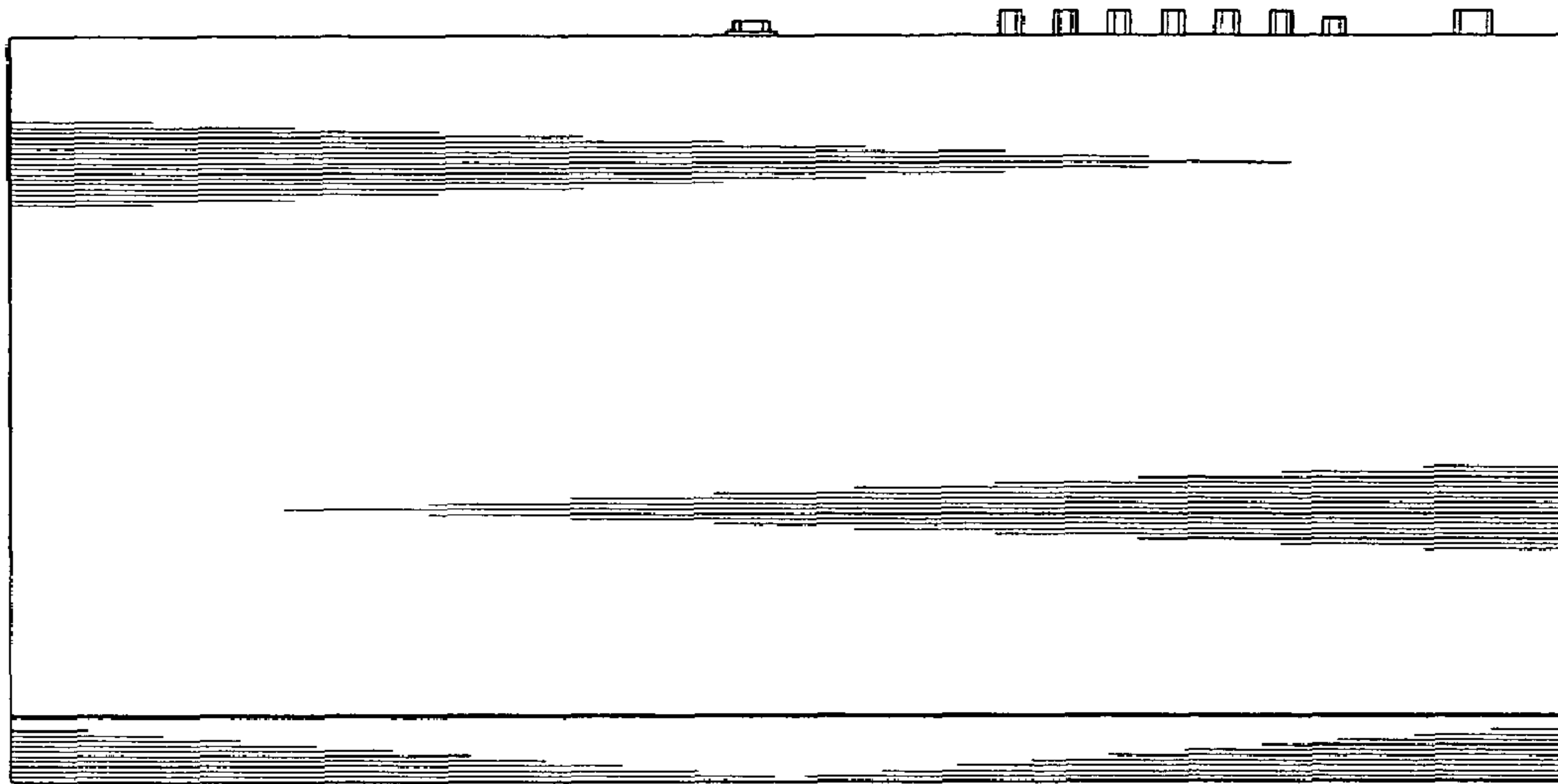


FIG. 6

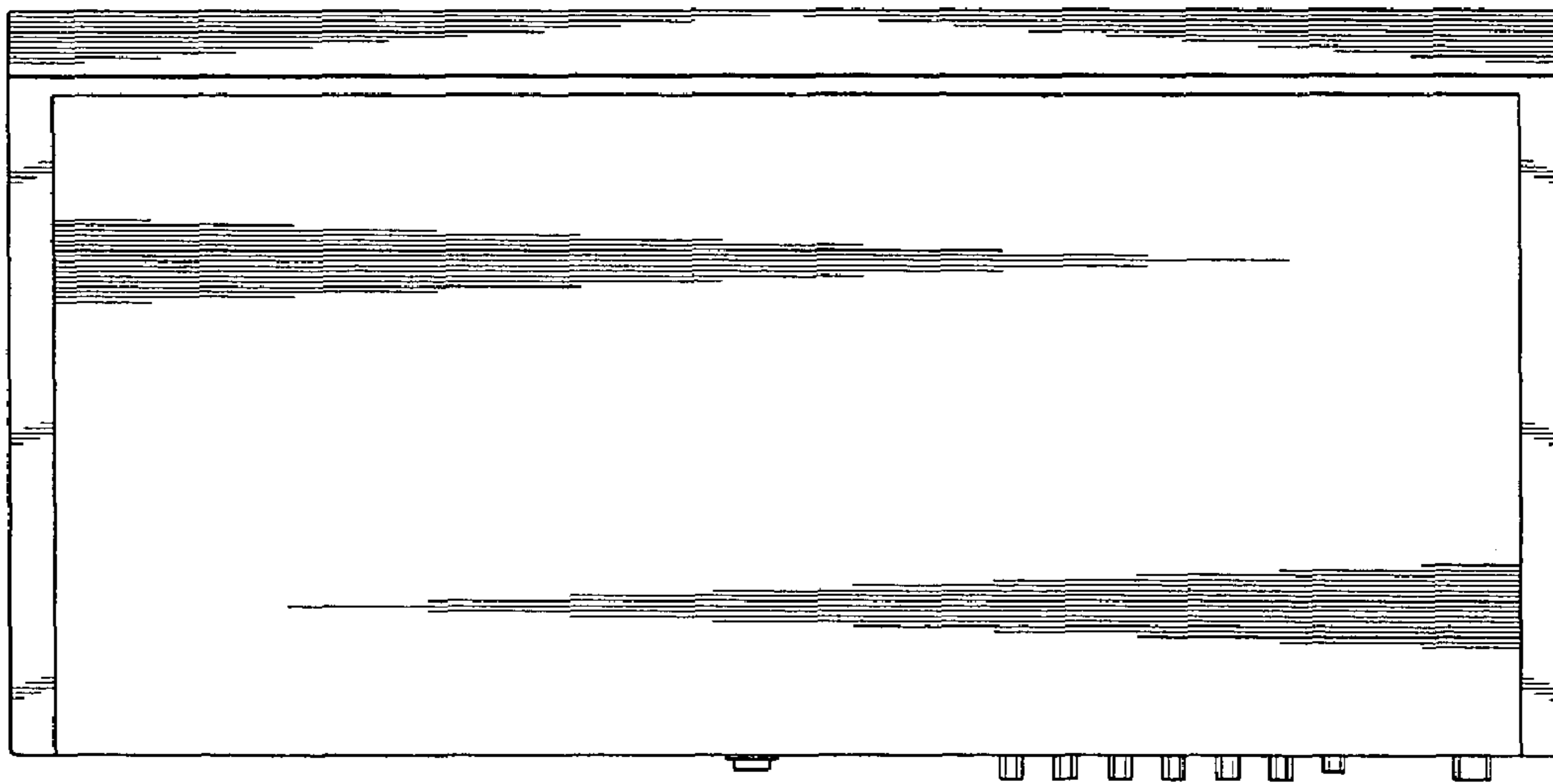


FIG. 7