

US00D560626S

(12) **United States Design Patent**  
**Lee**

(10) **Patent No.:** **US D560,626 S**  
(45) **Date of Patent:** **\*\* Jan. 29, 2008**

(54) **TELEVISION SET**  
(75) Inventor: **Chien-Kuo Lee**, Taoyuan County (TW)  
(73) Assignee: **Hannspree, Inc.**, Taipei (TW)  
(\*\*) Term: **14 Years**  
(21) Appl. No.: **29/274,922**  
(22) Filed: **Jun. 7, 2007**  
(30) **Foreign Application Priority Data**  
Mar. 30, 2007 (TW) ..... 96301865

D528,085 S \* 9/2006 Chia ..... D14/126  
D536,310 S \* 2/2007 Kao ..... D14/126  
D537,420 S \* 2/2007 Tsai ..... D14/126  
D541,773 S \* 5/2007 Chong et al. .... D14/129

\* cited by examiner

*Primary Examiner*—Raphael Barkai  
(74) *Attorney, Agent, or Firm*—Morgan, Lewis & Bockius LLP

(57) **CLAIM**

The ornamental design for television set, as shown and described.

(51) **LOC (8) Cl.** ..... **14-03**  
(52) **U.S. Cl.** ..... **D14/126**  
(58) **Field of Classification Search** ..... D14/125–134,  
D14/239, 371, 136, 374–377; 312/7.2; 348/836,  
348/838, 180, 184, 325, 739; 341/12; 248/917–924,  
248/465; 345/104, 133, 156, 168, 87, 173;  
720/605, 669, 600, 655; 369/99, 197; 455/344–347  
See application file for complete search history.

**DESCRIPTION**

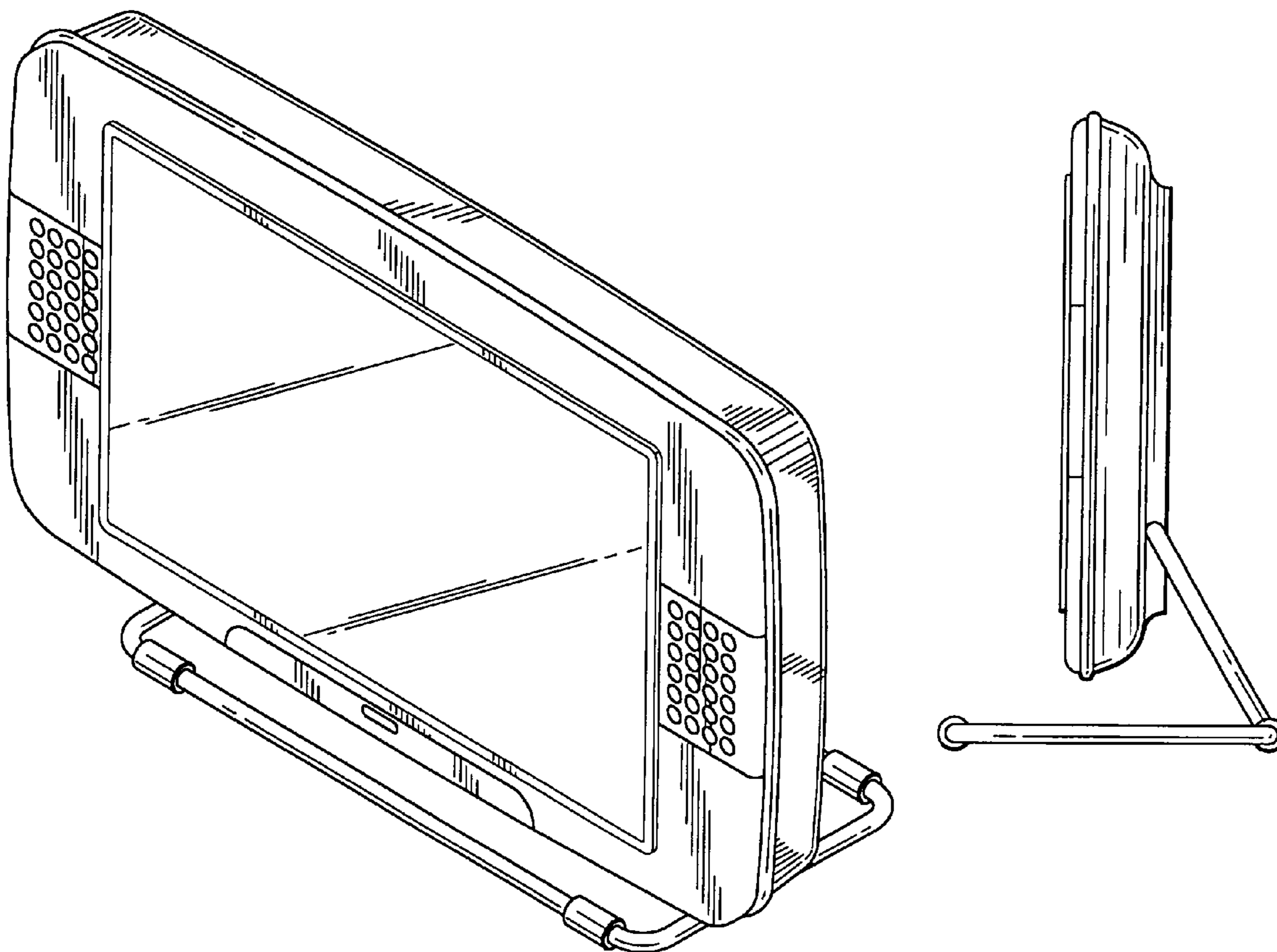
FIG. 1 is a perspective view of television set showing my new design;  
FIG. 2 is a front elevational view thereof;  
FIG. 3 is a rear elevational view thereof;  
FIG. 4 is a left side elevational view thereof;  
FIG. 5 is a right side elevational view thereof;  
FIG. 6 is a top plan view thereof; and,  
FIG. 7 is a bottom plan view thereof.

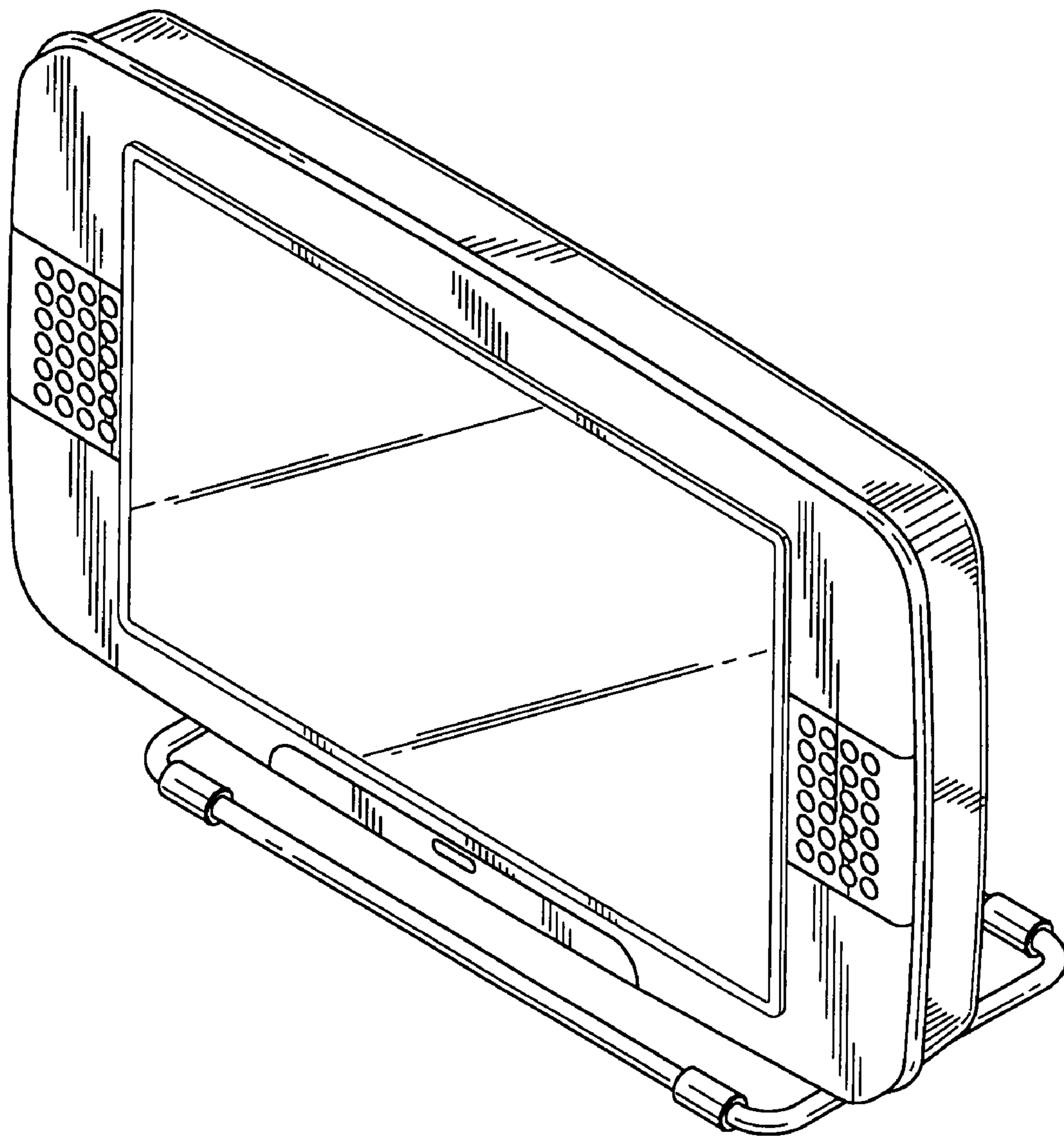
(56) **References Cited**

**U.S. PATENT DOCUMENTS**

D431,565 S \* 10/2000 Lin et al. .... D14/375  
D522,980 S \* 6/2006 Chu ..... D14/126

**1 Claim, 5 Drawing Sheets**





F I G. 1

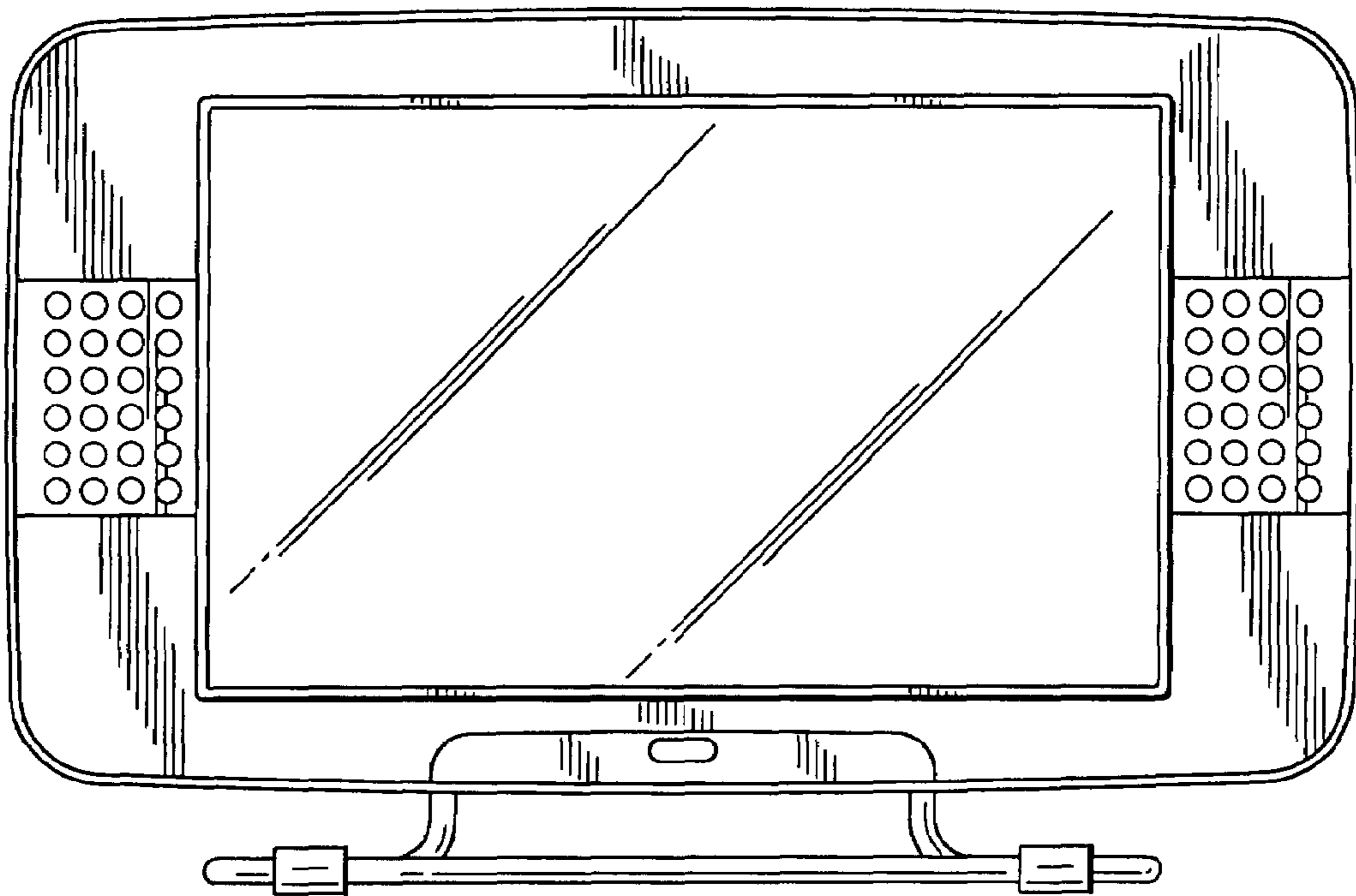
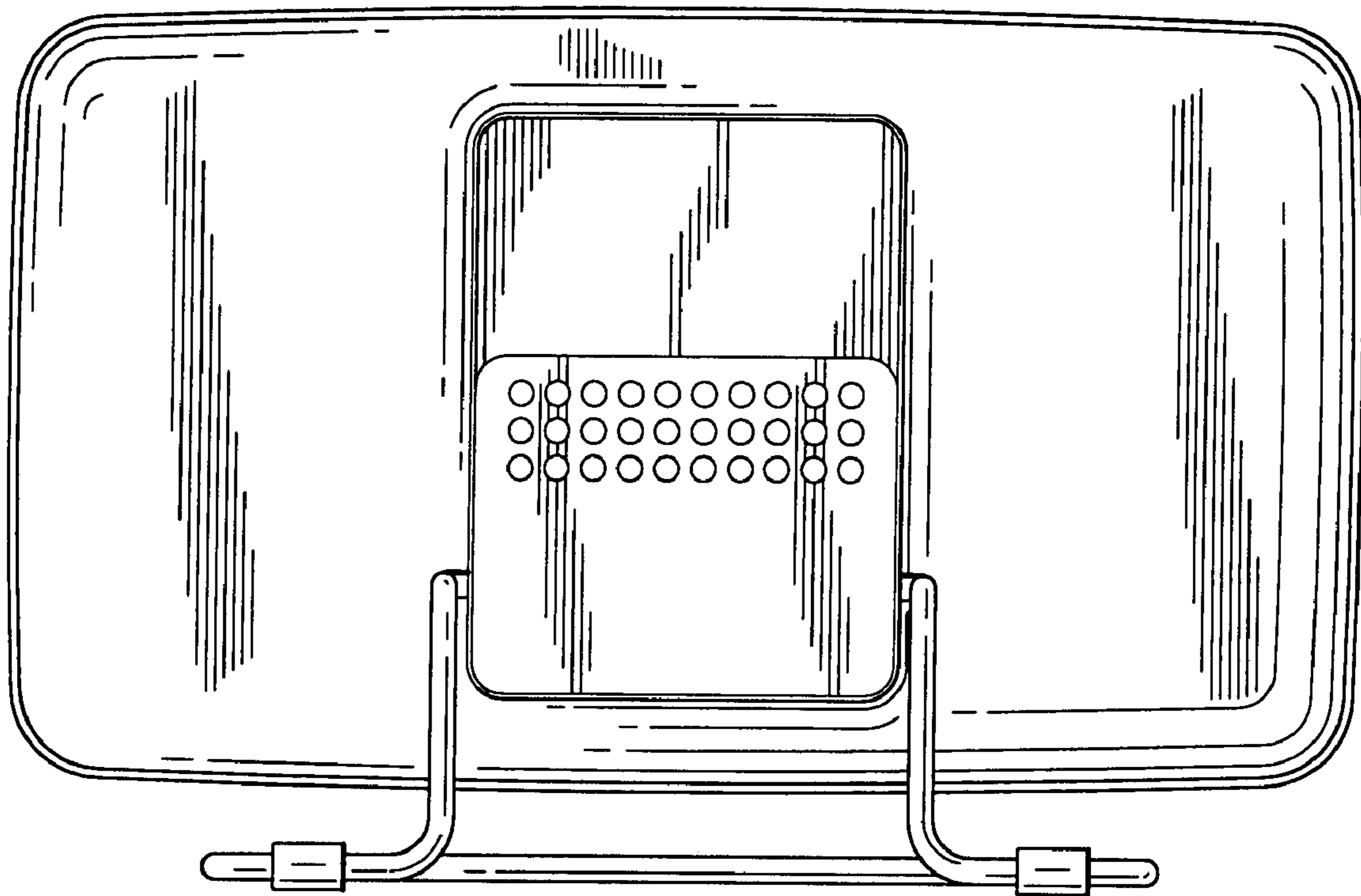


FIG. 2



F I G. 3

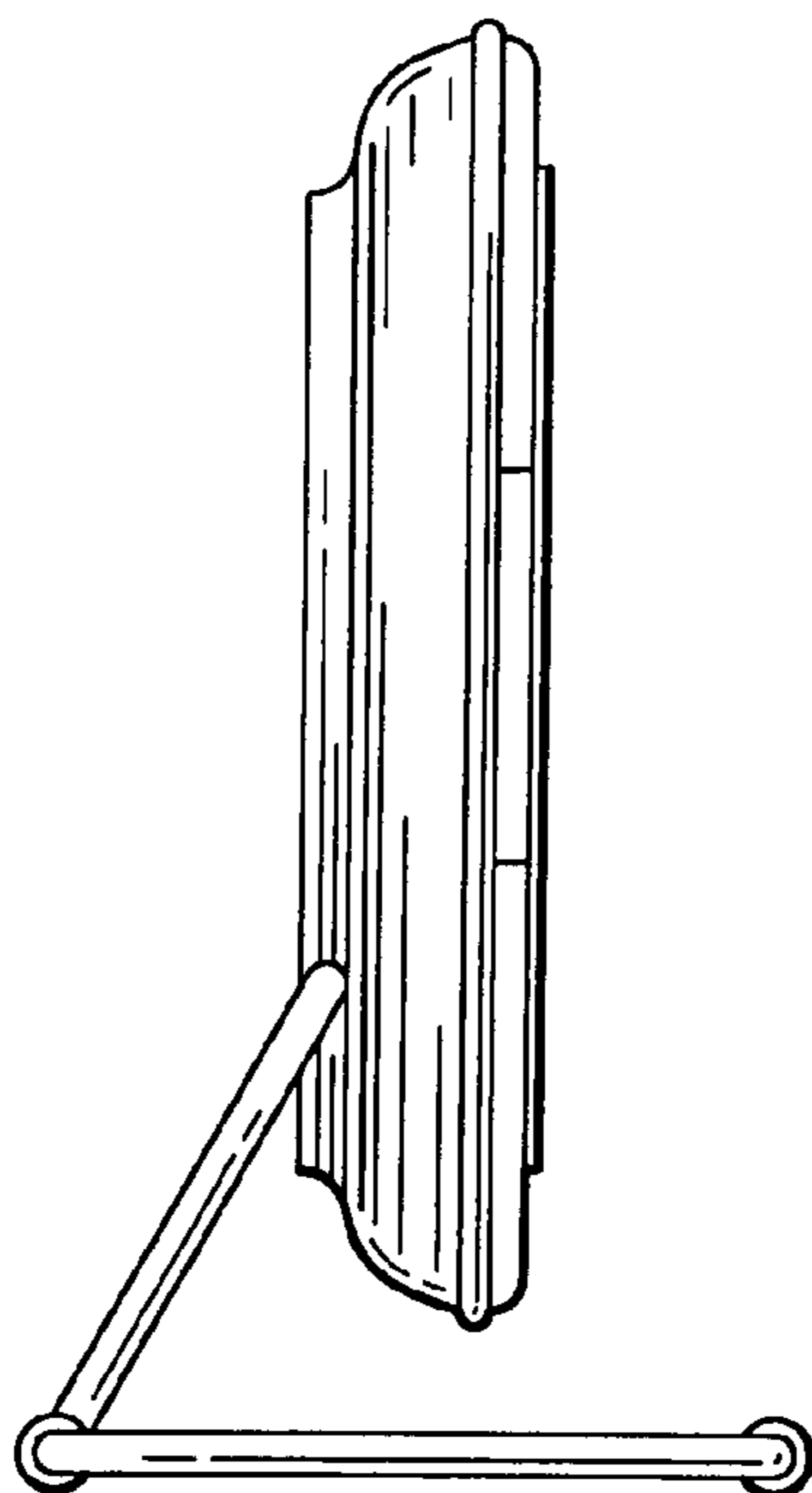


FIG. 4

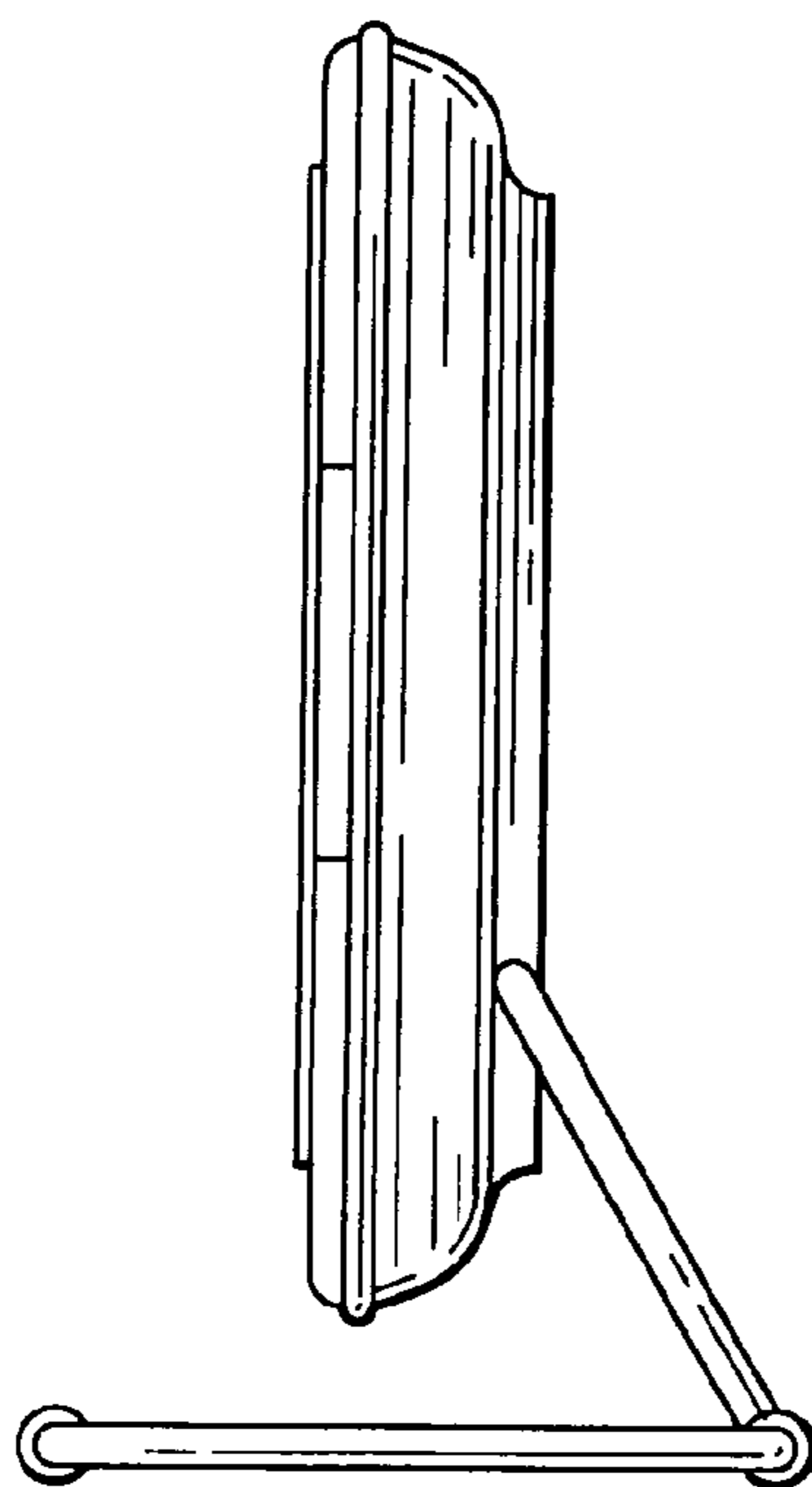


FIG. 5

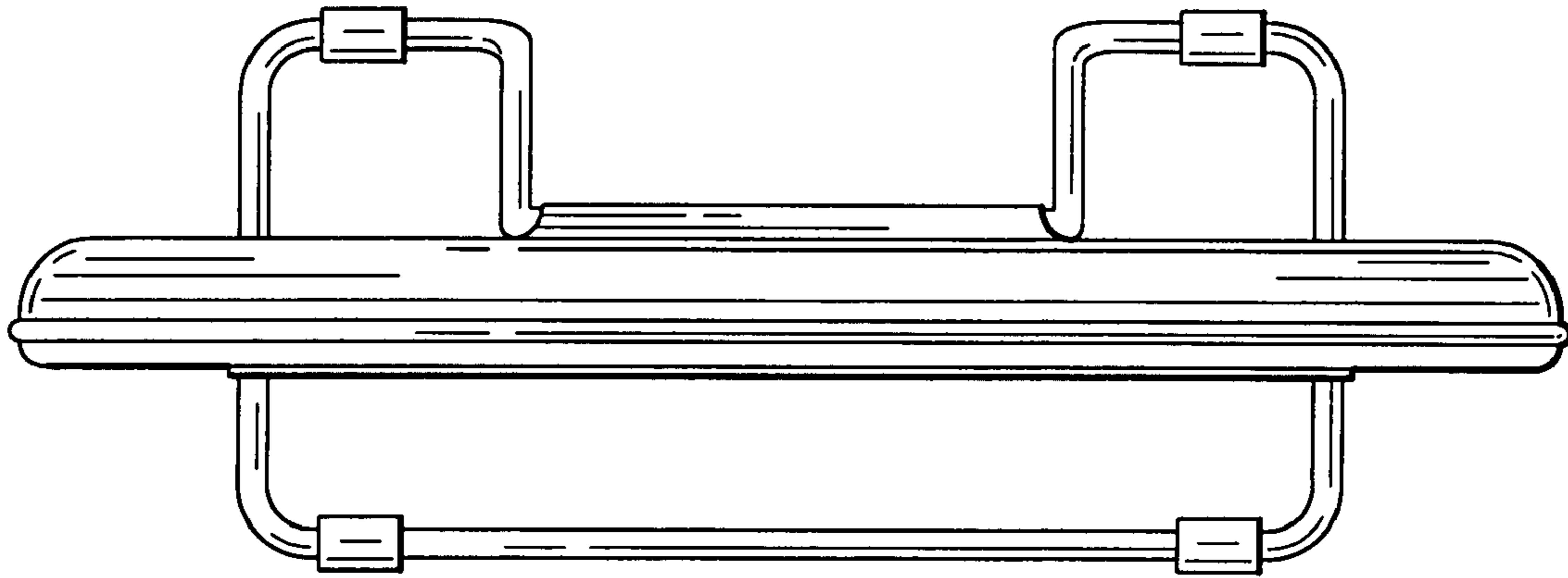


FIG. 6

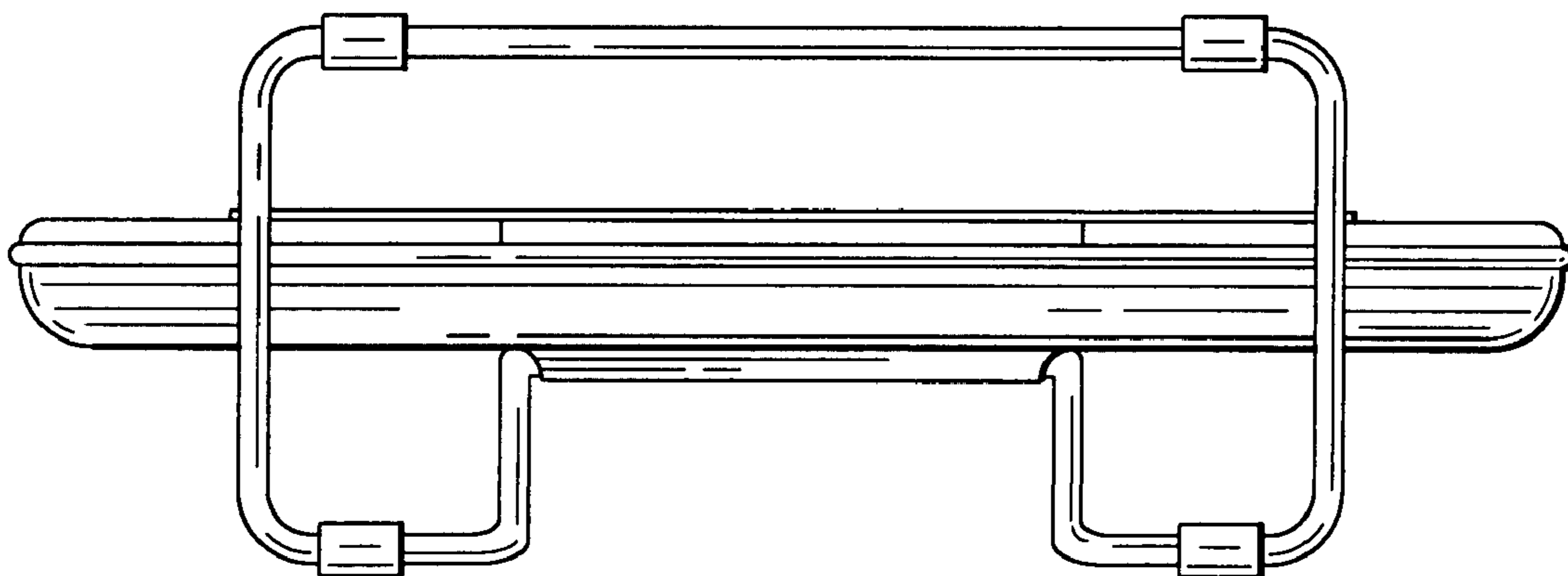


FIG. 7