



US00D560616S

(12) **United States Design Patent**
Victor

(10) **Patent No.:** **US D560,616 S**

(45) **Date of Patent:** **** Jan. 29, 2008**

(54) **CABLE CONNECTOR**

(74) *Attorney, Agent, or Firm*—Trojan Law Offices

(76) Inventor: **Jay Victor**, 2017 Bataan Rd., Unit A,
Redondo Beach, CA (US) 90278

(57) **CLAIM**

The ornamental design for a cable connector, as shown and described.

(**) Term: **14 Years**

(21) Appl. No.: **29/282,693**

(22) Filed: **Jul. 26, 2007**

DESCRIPTION

Related U.S. Application Data

(62) Division of application No. 29/275,054, filed on Dec. 11, 2006.

FIG. 1 is a side view of a cable connector showing my new design, the opposite side view being a mirror image thereto;

FIG. 2 is a top view thereof, the bottom view being a mirror image thereto;

(51) **LOC (8) Cl.** **13-03**

FIG. 3 is a front, bottom perspective view thereof;

(52) **U.S. Cl.** **D13/154; D13/133**

FIG. 4 is a front view thereof; and,

(58) **Field of Classification Search** D13/133,
D13/153–154, 184; 439/578, 668–669, 675,
439/751, 851–852, 889

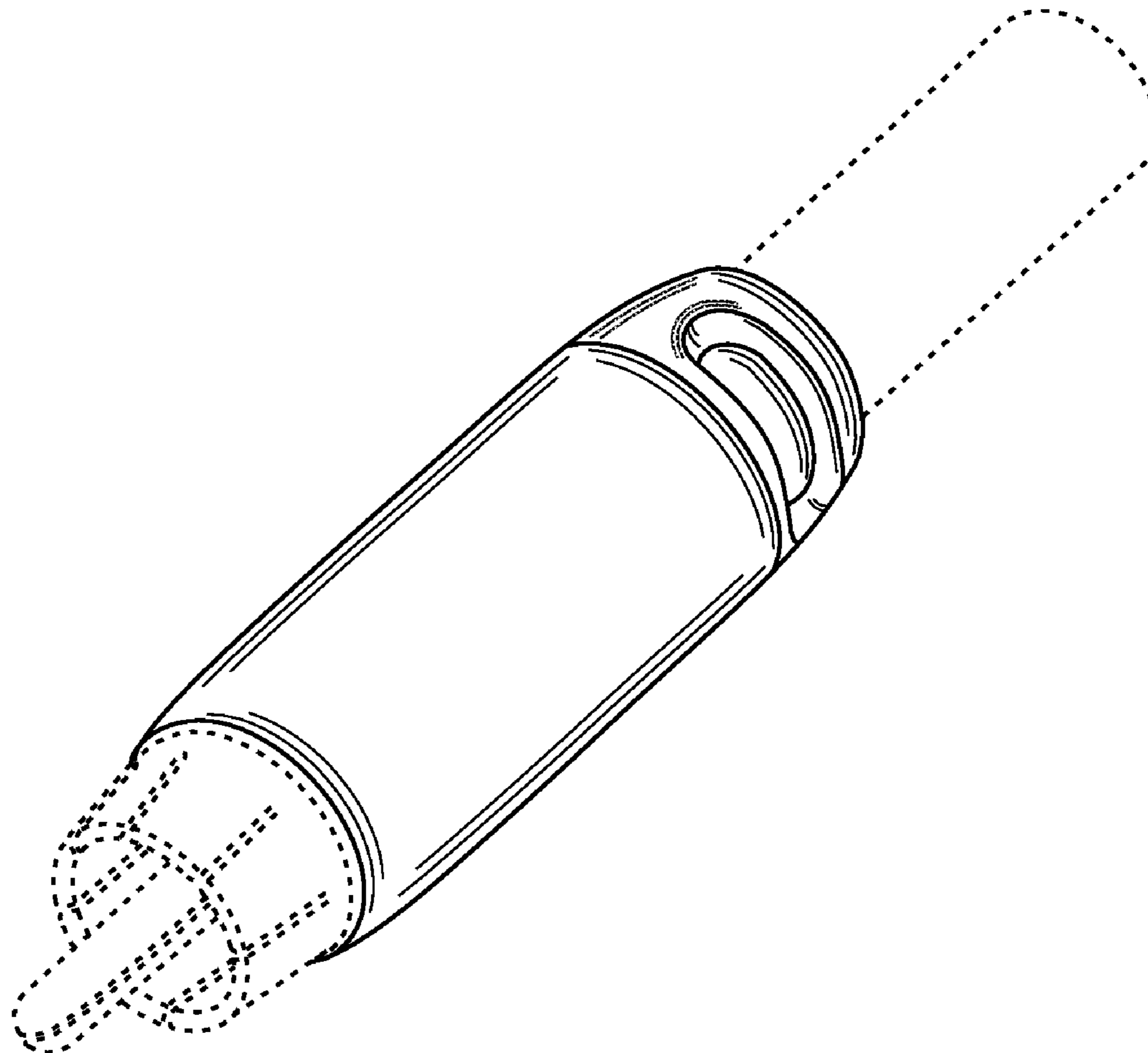
FIG. 5 is a front, top perspective view thereof.

See application file for complete search history.

The broken line showing of the environment is for illustrative purposes only and forms no part of the claimed design.

Primary Examiner—Daniel Bui

1 Claim, 3 Drawing Sheets



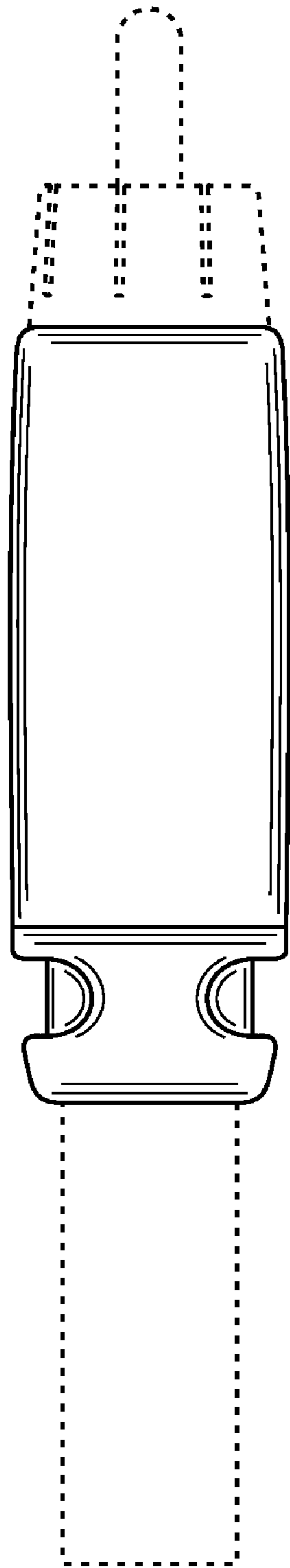


FIG. 1

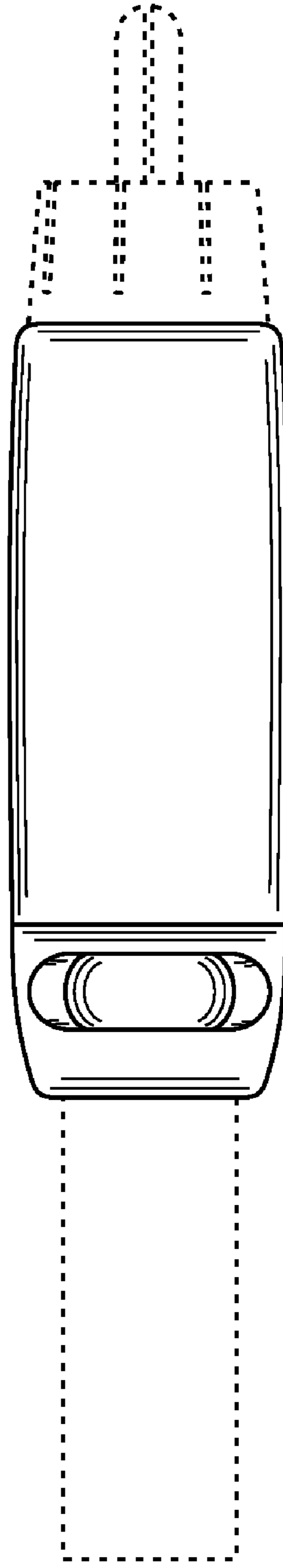


FIG. 2

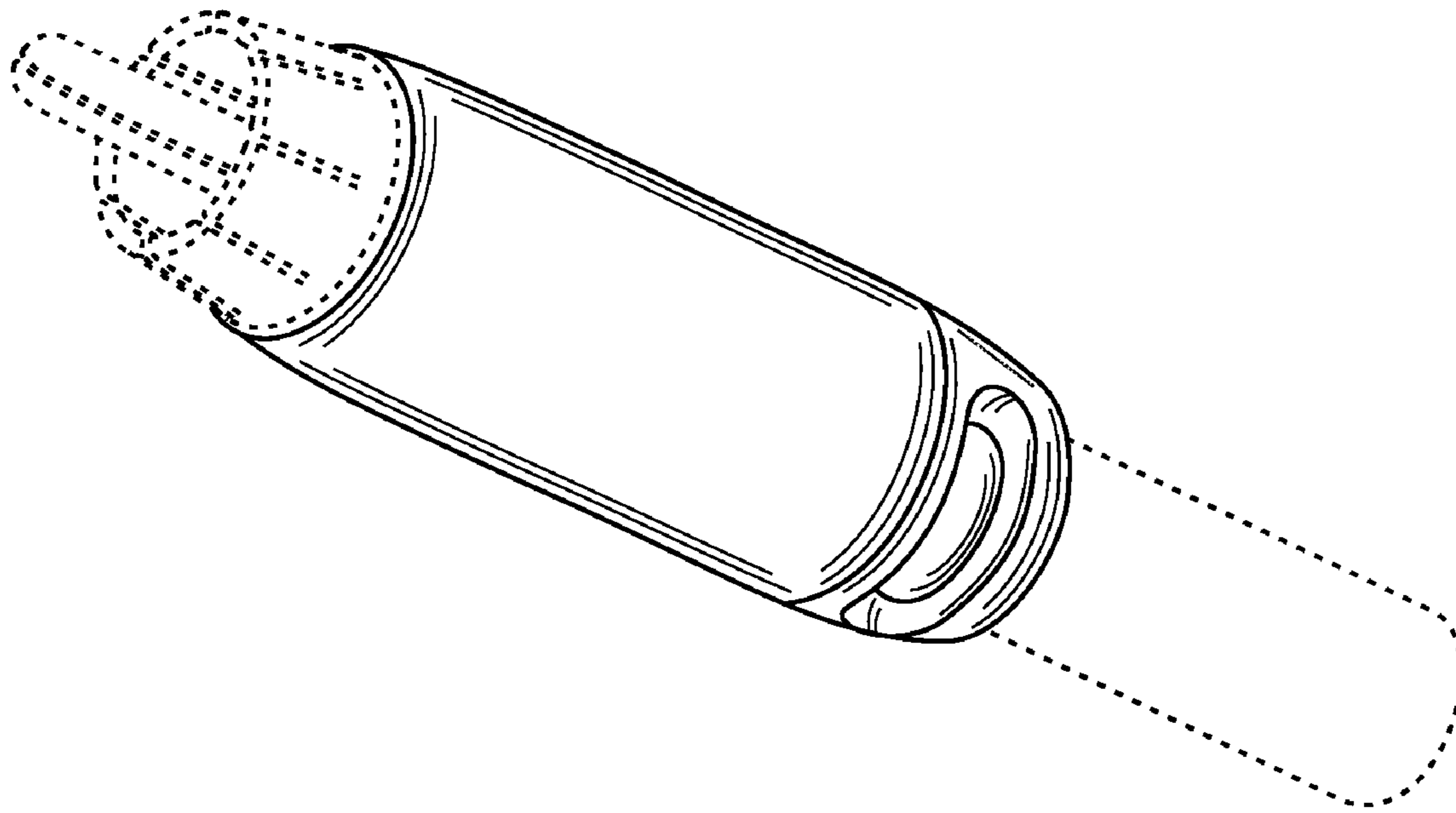


FIG. 3

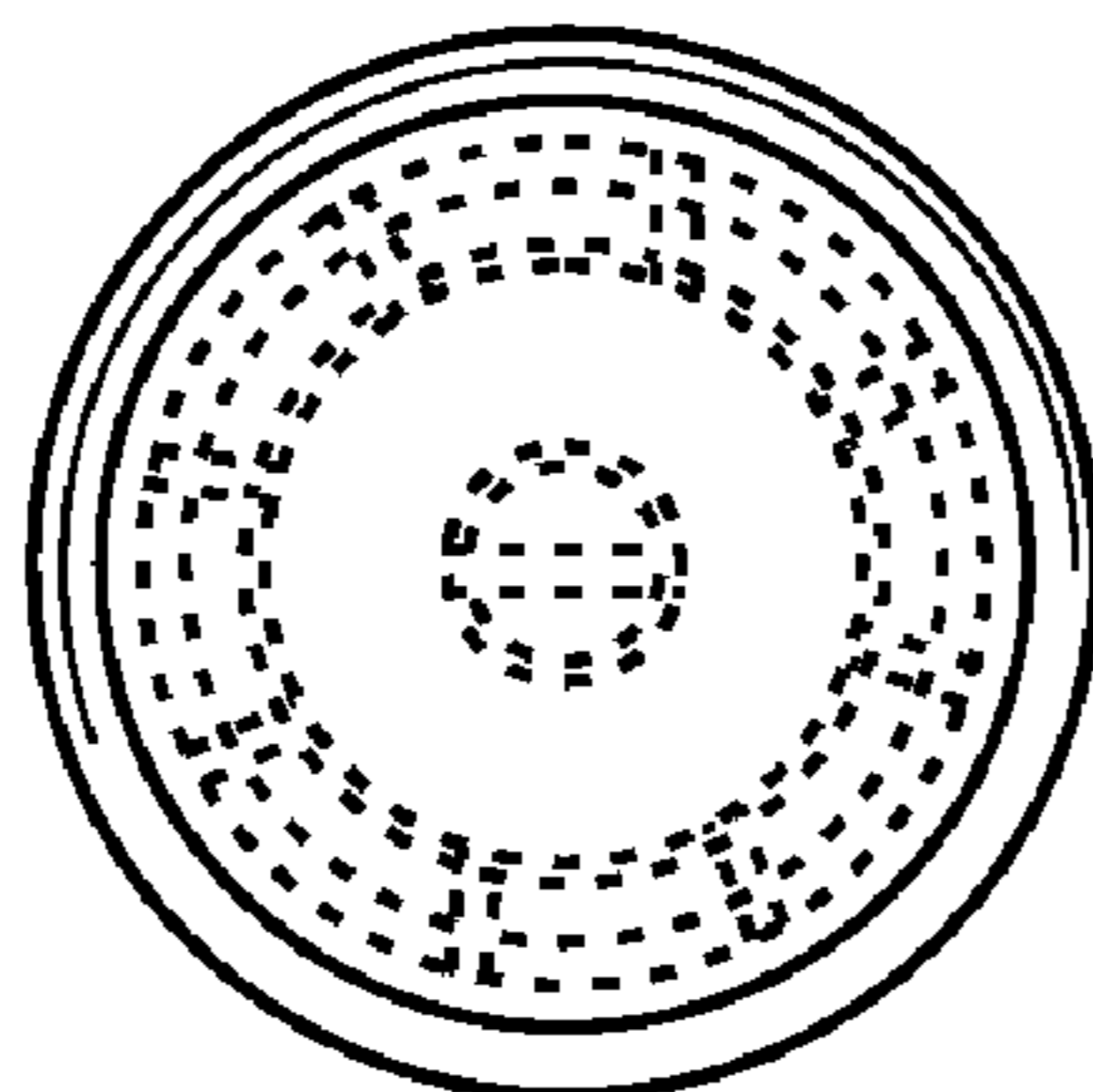


FIG. 4

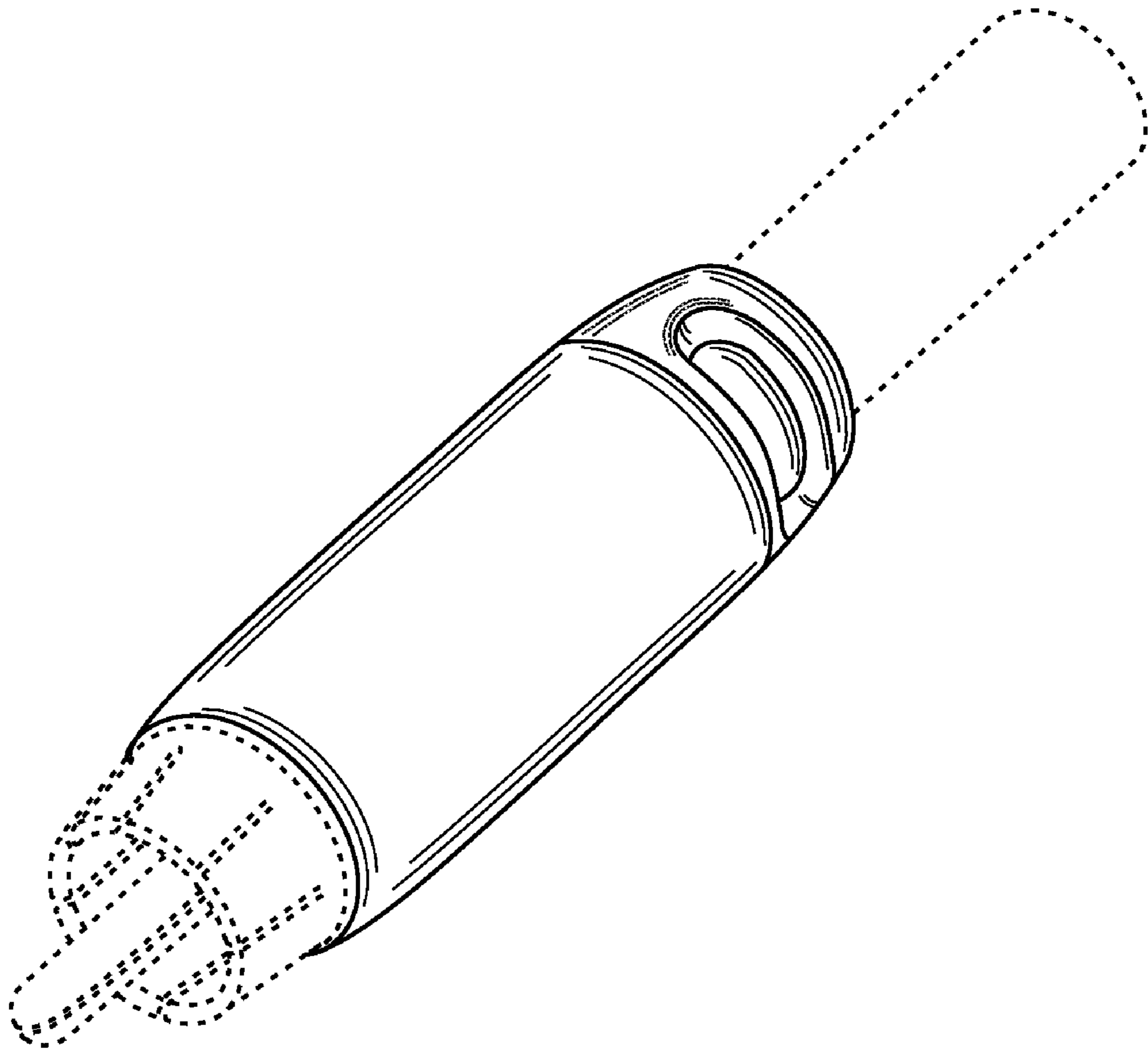


FIG. 5