



US00D560614S

(12) **United States Design Patent**
McEvoy et al.

(10) **Patent No.: US D560,614 S**
(45) **Date of Patent: ** Jan. 29, 2008**

(54) **ELECTRICAL CONNECTOR**

(75) Inventors: **Herbert J. McEvoy**, North Attleboro, MA (US); **Michael P. Cuff**, Georgetown, TX (US); **John L. Grant**, Sherborn, MA (US)

(73) Assignee: **AirBorn, Inc.**, Addison, TX (US)

(**) Term: **14 Years**

(21) Appl. No.: **29/248,474**

(22) Filed: **Aug. 17, 2006**

(51) **LOC (8) Cl. 13-03**

(52) **U.S. Cl. D13/147**

(58) **Field of Classification Search** D13/133,
D13/146-147, 154, 184; 439/607-610, 613-614,
439/675-677, 680

See application file for complete search history.

(56) **References Cited**

U.S. PATENT DOCUMENTS

D235,552 S *	6/1975	Derr et al.	D13/146
D252,082 S *	6/1979	Voelkert	D13/146
4,158,473 A *	6/1979	Shearer	439/518
4,179,179 A *	12/1979	Lowden	439/278
D270,246 S *	8/1983	Freimuth	D13/146

D308,511 S *	6/1990	Makita et al.	D13/146
D319,625 S *	9/1991	Nagasaka et al.	D13/146
6,702,617 B1 *	3/2004	Clement et al.	439/608
6,939,159 B1 *	9/2005	Klein et al.	439/352

* cited by examiner

Primary Examiner—Daniel Bui

(74) *Attorney, Agent, or Firm*—Locke Lord Bissell & Liddell LLP

(57) **CLAIM**

The ornamental design for an electrical connector, as shown and described.

DESCRIPTION

FIG. 1 is a perspective view of an electrical connector, showing our new design;

FIG. 2 is a top plan view thereof;

FIG. 3 is a bottom plan view thereof;

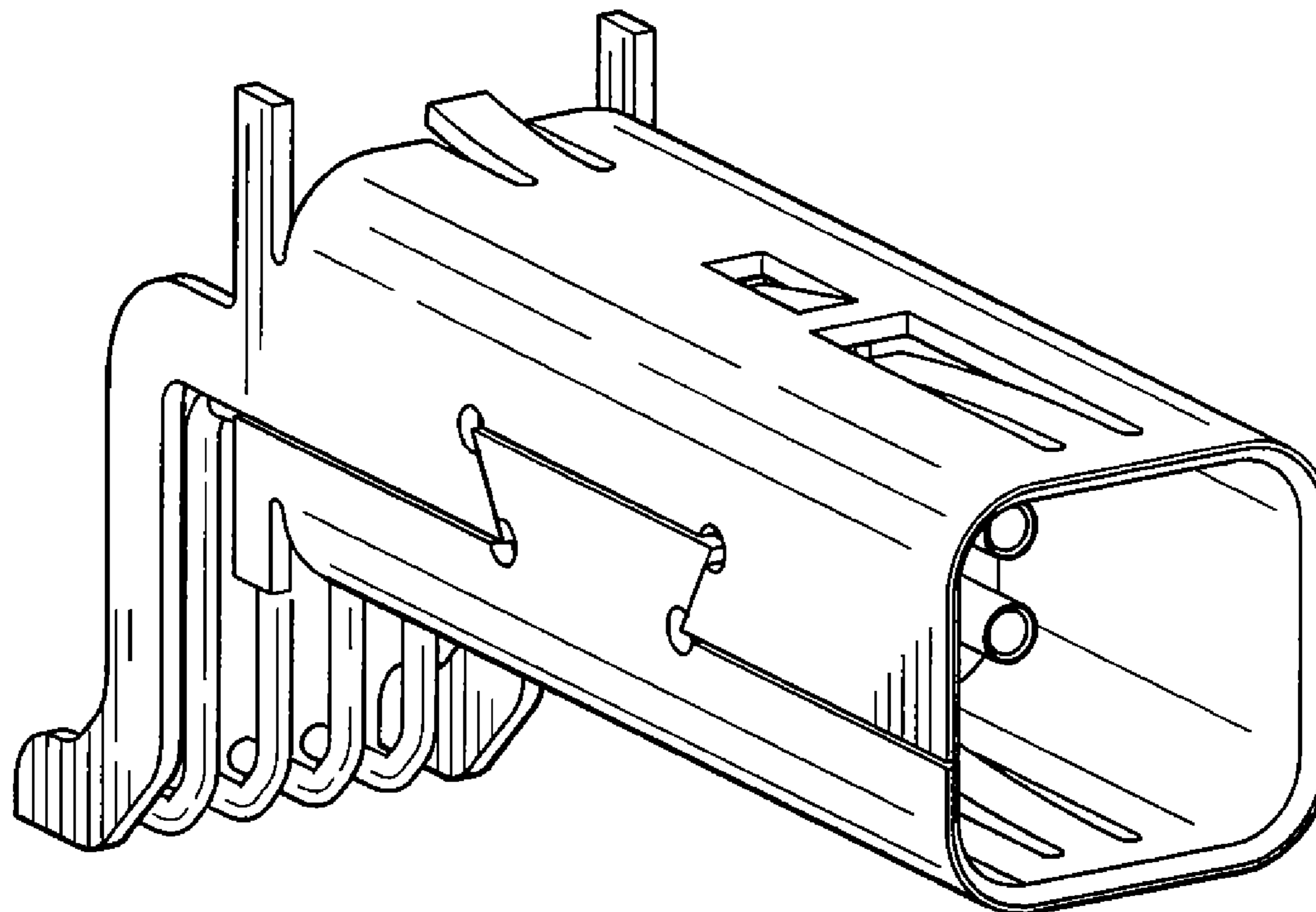
FIG. 4 is a left side elevational view thereof;

FIG. 5 is a right side elevational view thereof;

FIG. 6 is a front elevational view thereof; and,

FIG. 7 is a rear elevational view thereof.

1 Claim, 2 Drawing Sheets



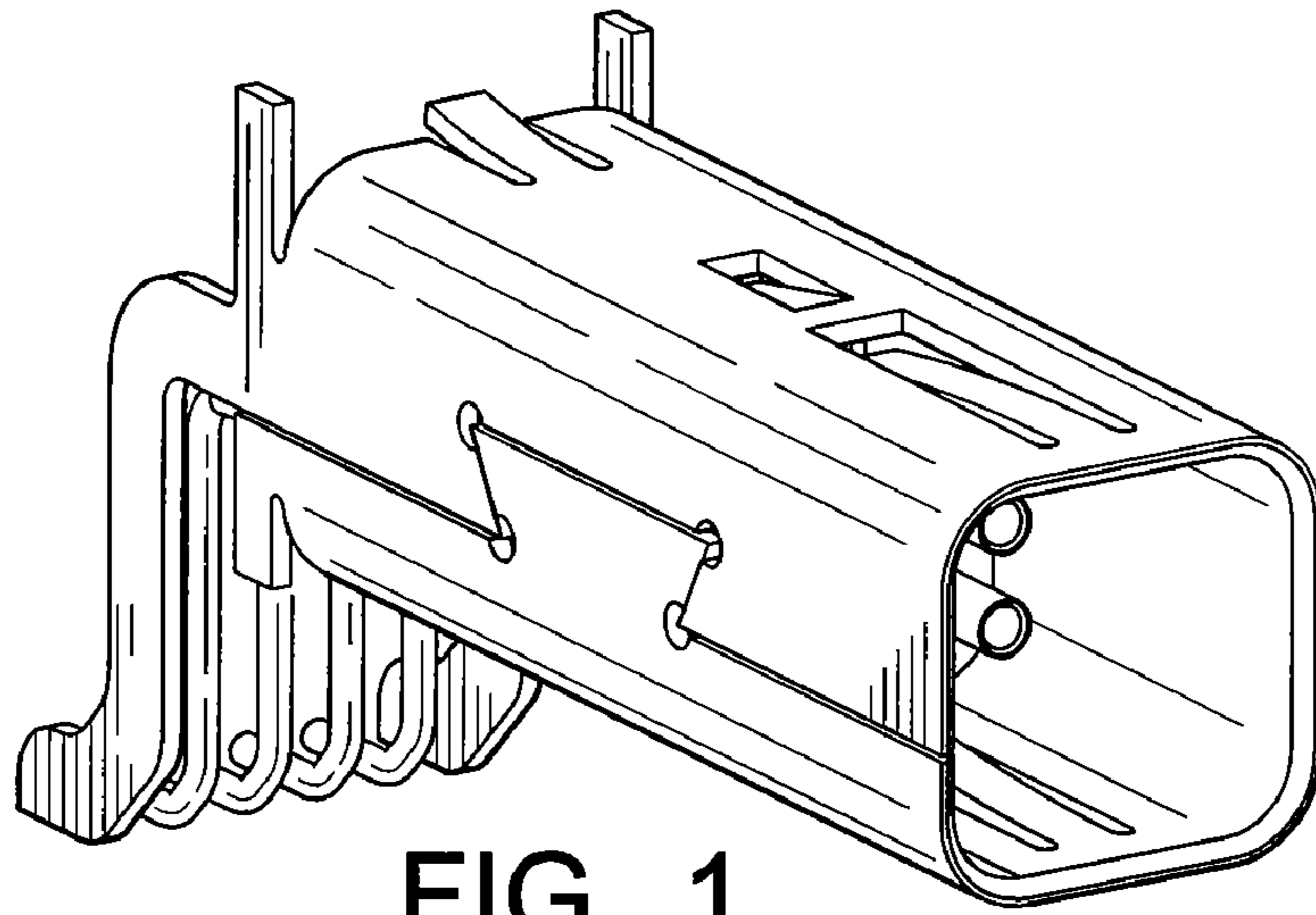


FIG. 1

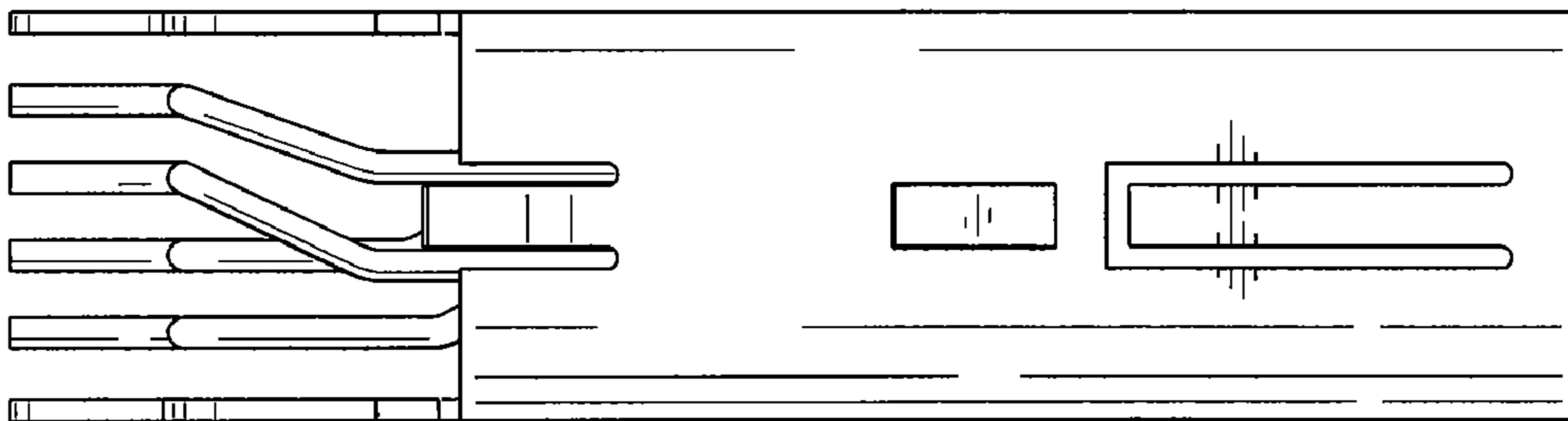


FIG. 2

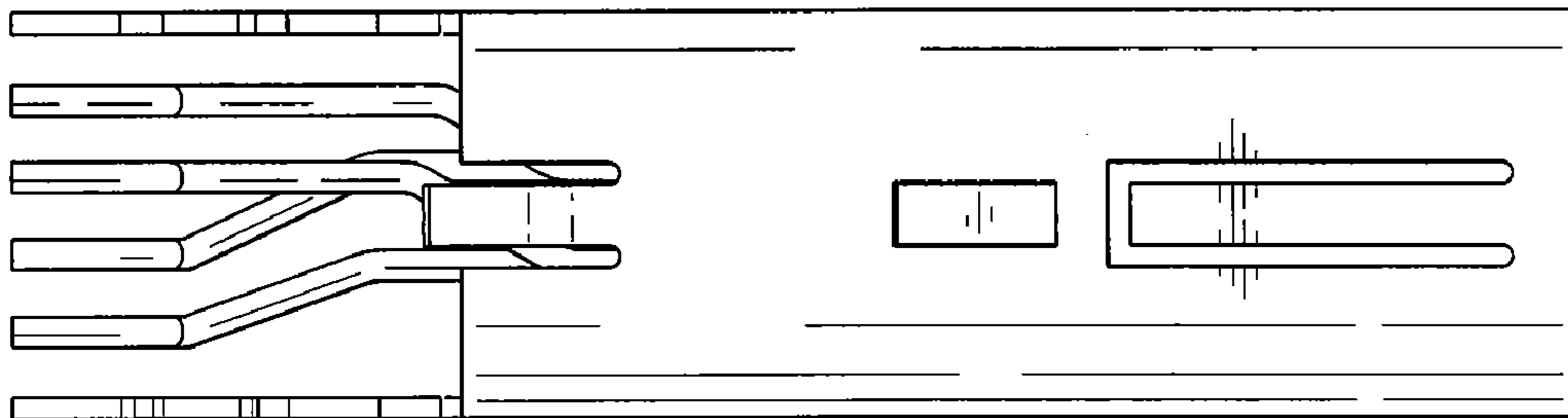


FIG. 3

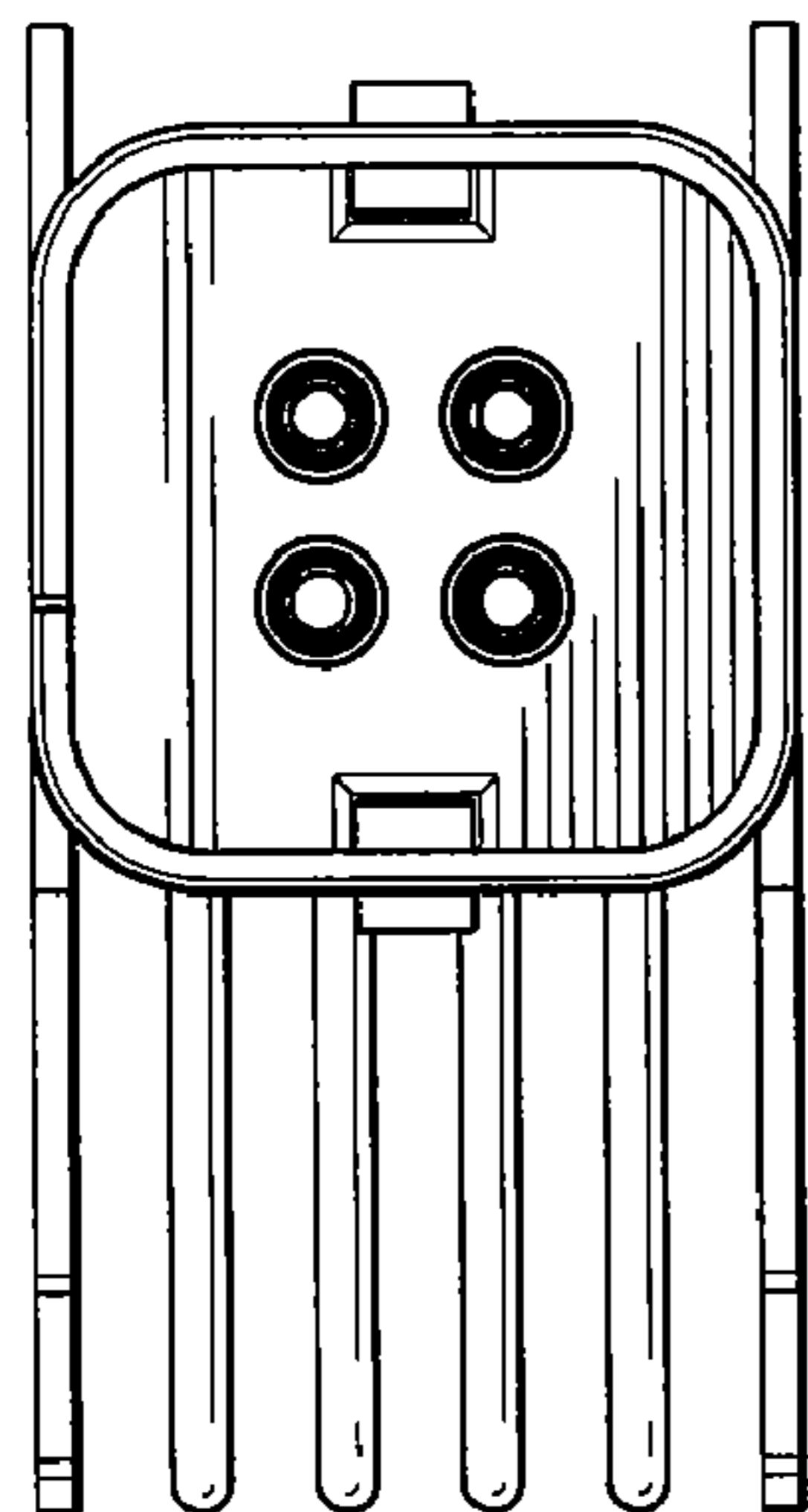
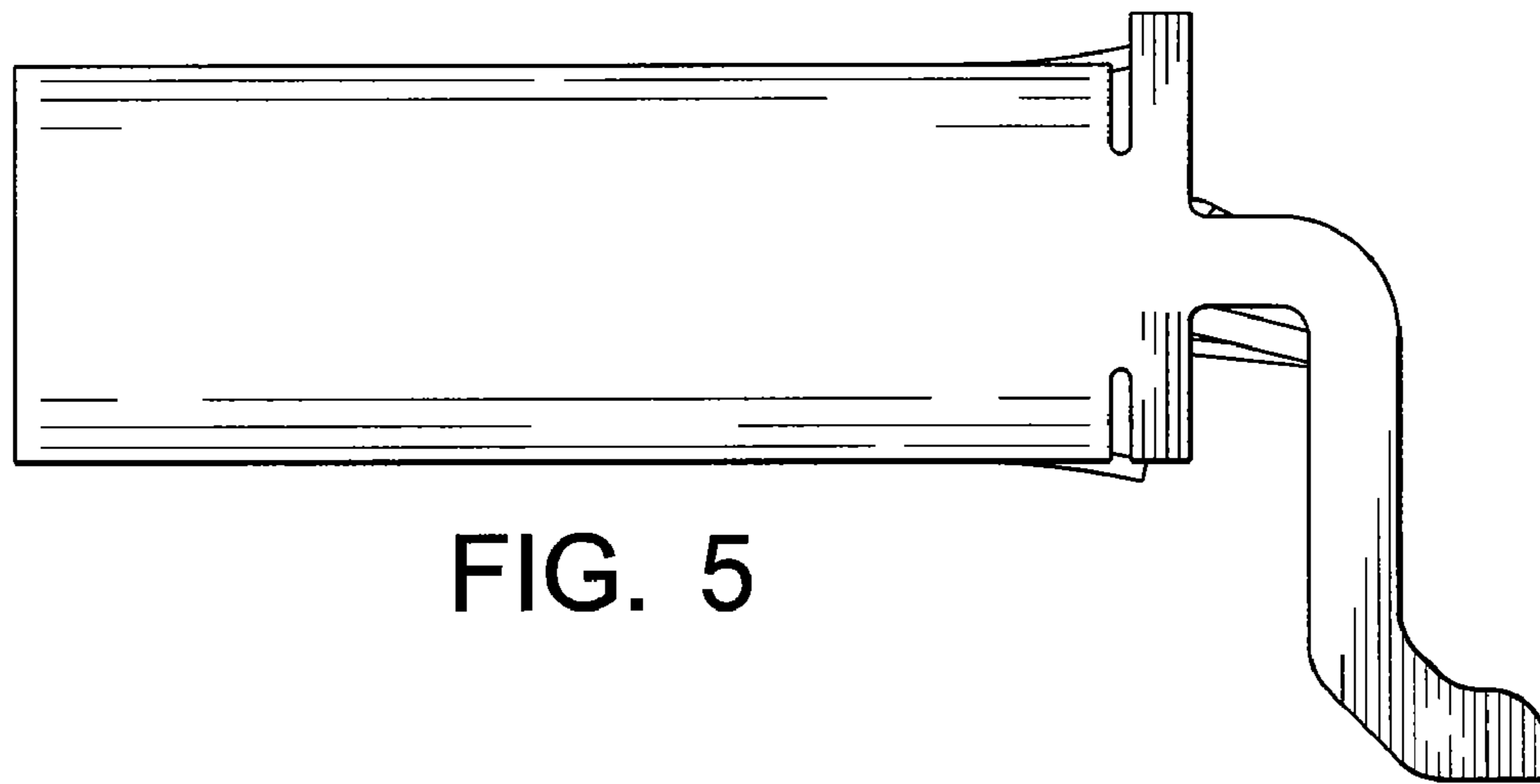
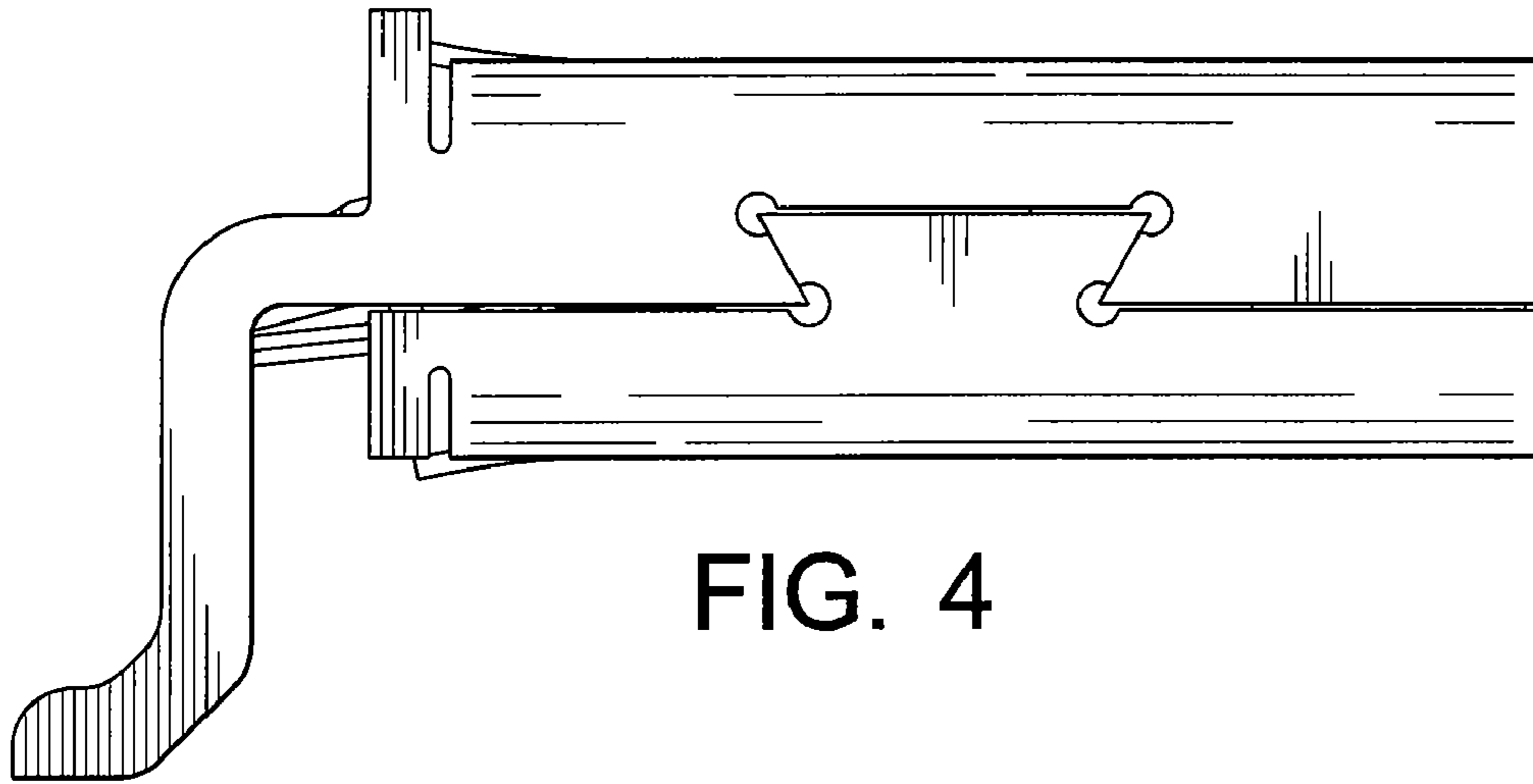


FIG. 7

