



US00D560613S

(12) **United States Design Patent**  
**McEvoy et al.**

(10) **Patent No.: US D560,613 S**  
(45) **Date of Patent: \*\* Jan. 29, 2008**

(54) **ELECTRICAL CONNECTOR**

(75) Inventors: **Herbert J. McEvoy**, North Attleboro, MA (US); **Michael P. Cuff**, Georgetown, TX (US); **John L. Grant**, Sherborn, MA (US)

(73) Assignee: **AirBorn, Inc.**, Addison, TX (US)

(\*\*) Term: **14 Years**

(21) Appl. No.: **29/248,473**

(22) Filed: **Aug. 17, 2006**

(51) **LOC (8) Cl.** ..... **13-03**

(52) **U.S. Cl.** ..... **D13/147**

(58) **Field of Classification Search** ..... D13/133,  
D13/146-147, 154, 184; 439/607-610, 613-614,  
439/675-677, 680  
See application file for complete search history.

(56) **References Cited**

**U.S. PATENT DOCUMENTS**

D235,552 S \* 6/1975 Derr et al. .... D13/146  
D252,082 S \* 6/1979 Voelkert ..... D13/146  
4,158,473 A \* 6/1979 Shearer ..... 439/518  
4,179,179 A \* 12/1979 Lowden ..... 439/278

D270,246 S \* 8/1983 Freimuth ..... D13/146  
D308,511 S \* 6/1990 Makita et al. .... D13/146  
D319,625 S \* 9/1991 Nagasaka et al. .... D13/146  
6,702,617 B1 \* 3/2004 Clement et al. .... 439/608  
6,939,159 B1 \* 9/2005 Klein et al. .... 439/352

\* cited by examiner

*Primary Examiner*—Daniel Bui

(74) *Attorney, Agent, or Firm*—Locke Lord Bissell & Liddell LLP

(57) **CLAIM**

The ornamental design for an electrical connector, as shown and described.

**DESCRIPTION**

FIG. 1 is a perspective view of an electrical connector, showing our new design;

FIG. 2 is a top plan view thereof, the bottom plan view being identical thereto;

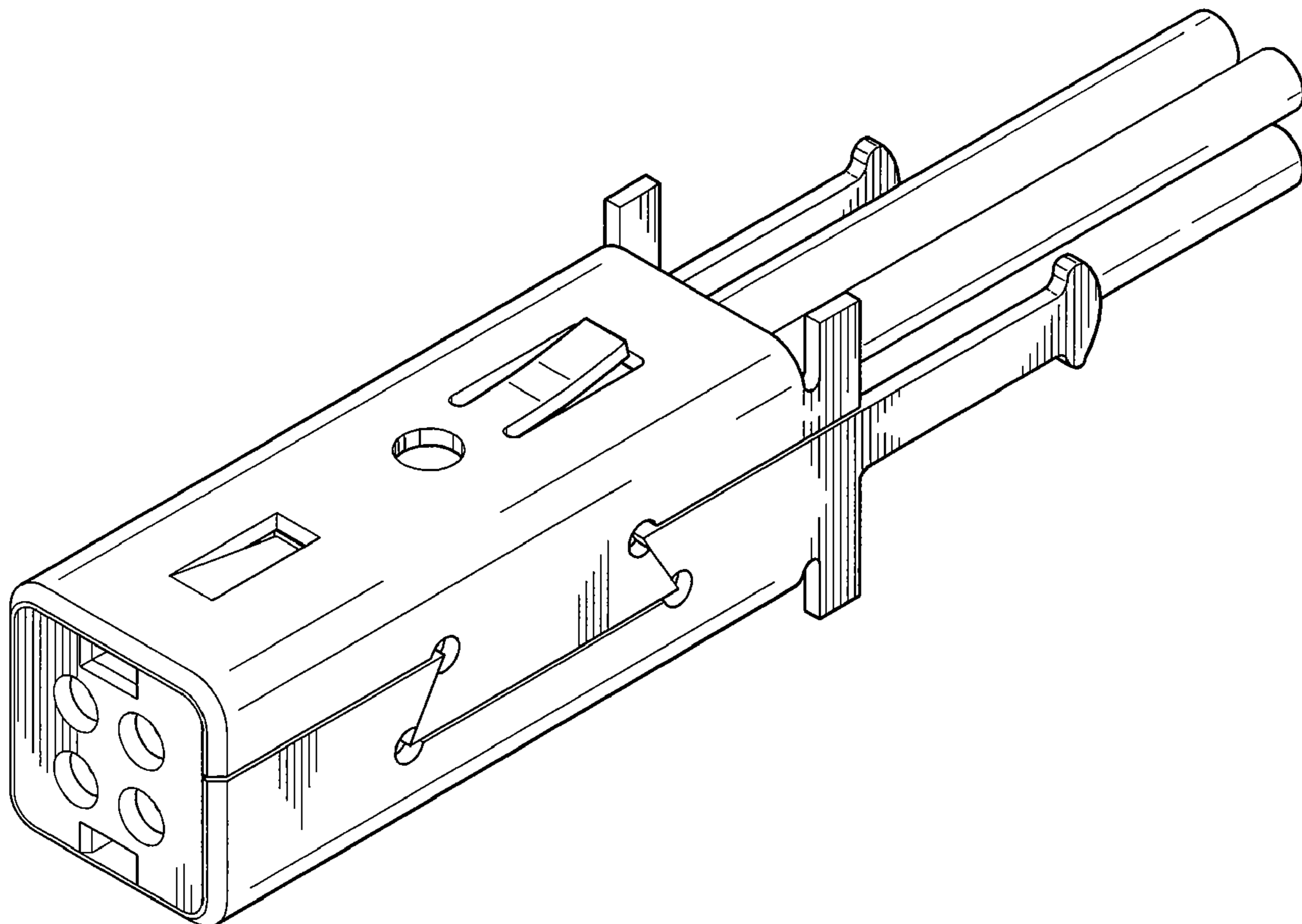
FIG. 3 is a right side elevational view thereof;

FIG. 4 is a left side elevational view thereof;

FIG. 5 is a rear elevational view thereof; and,

FIG. 6 is a front elevational view thereof.

**1 Claim, 2 Drawing Sheets**



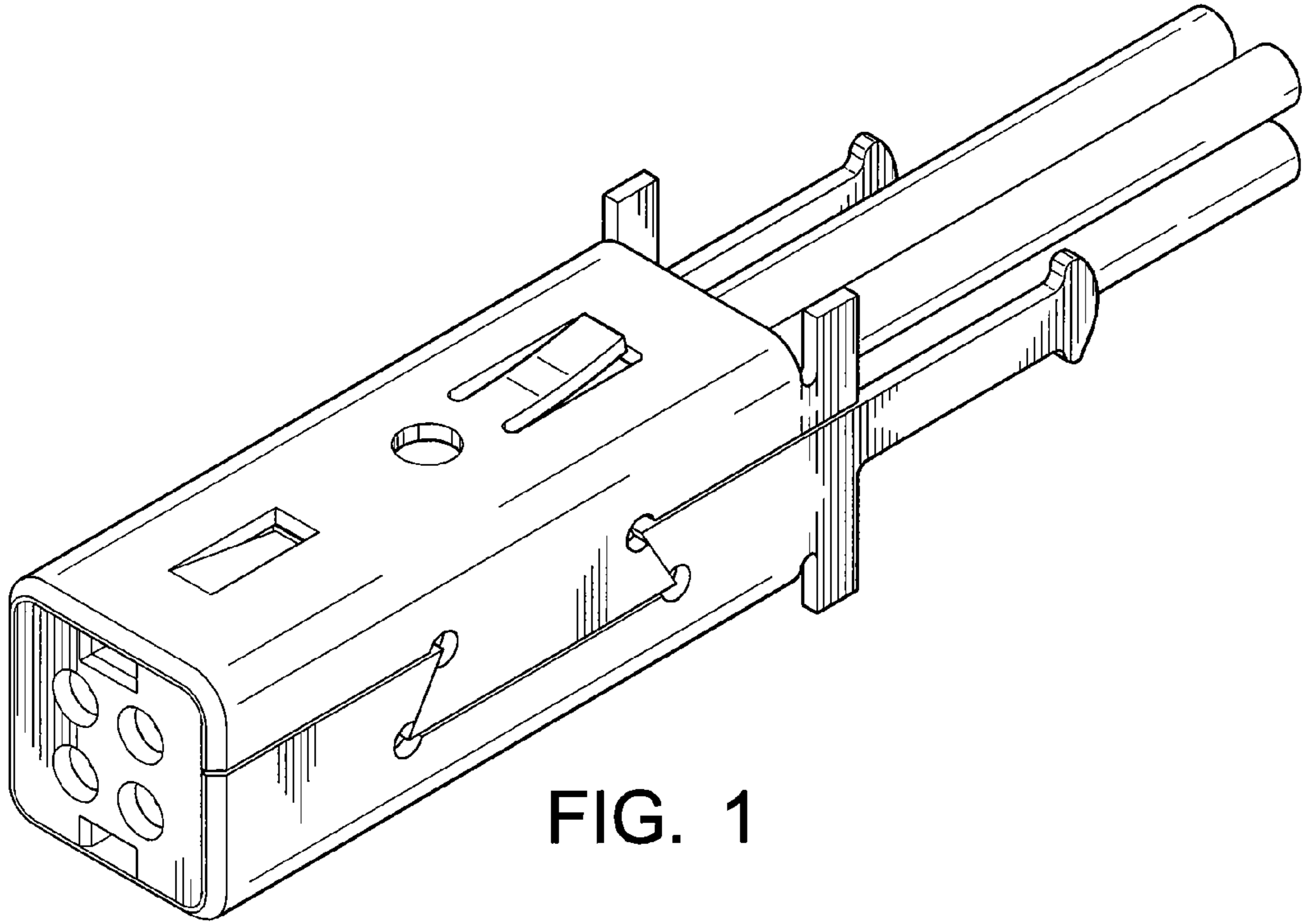


FIG. 1

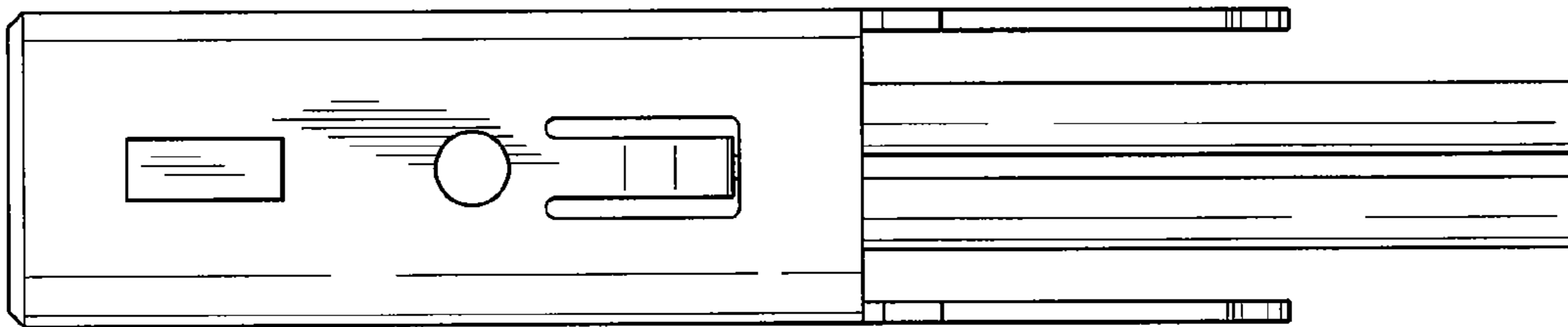


FIG. 2

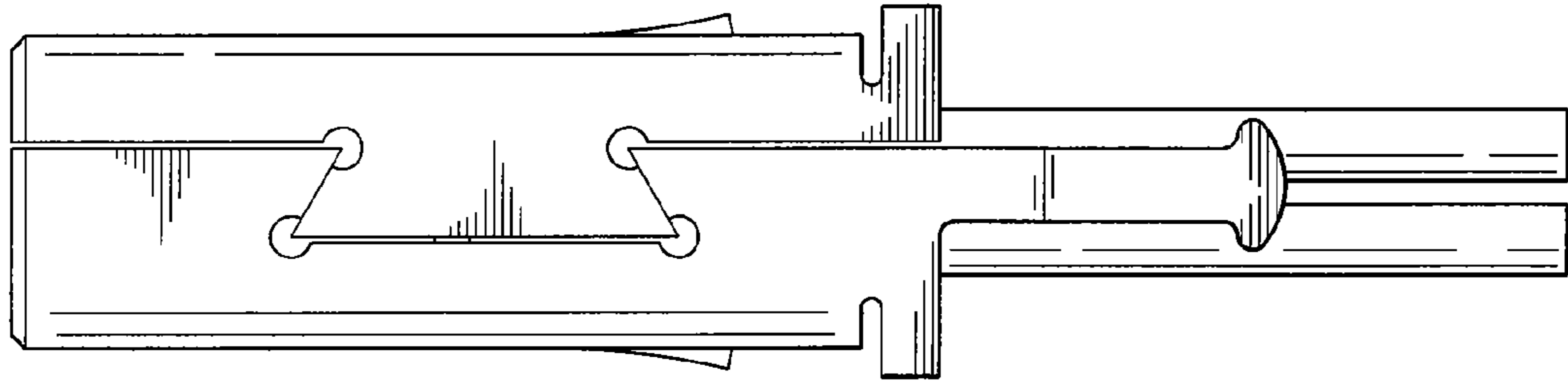


FIG. 3

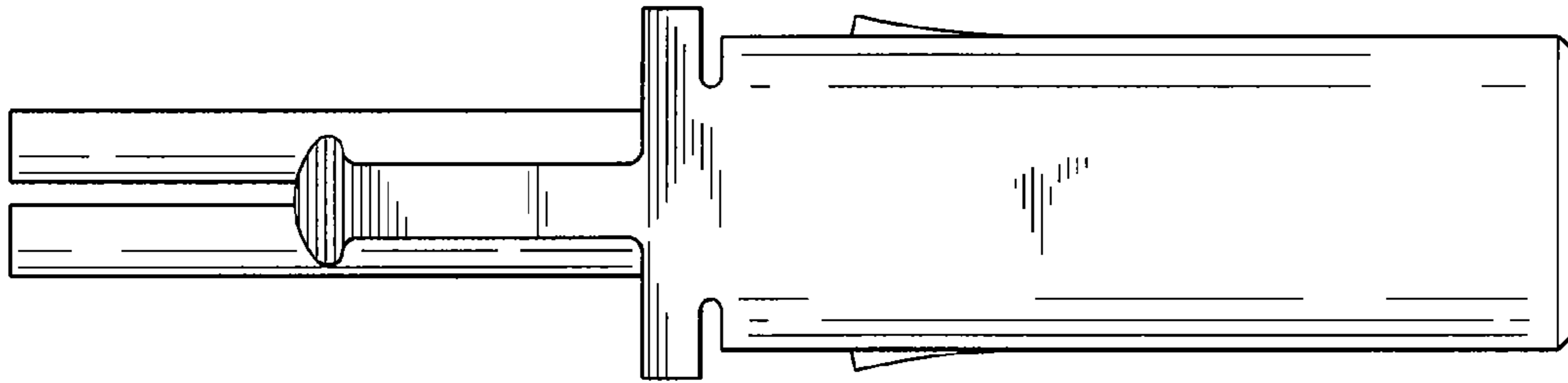


FIG. 4

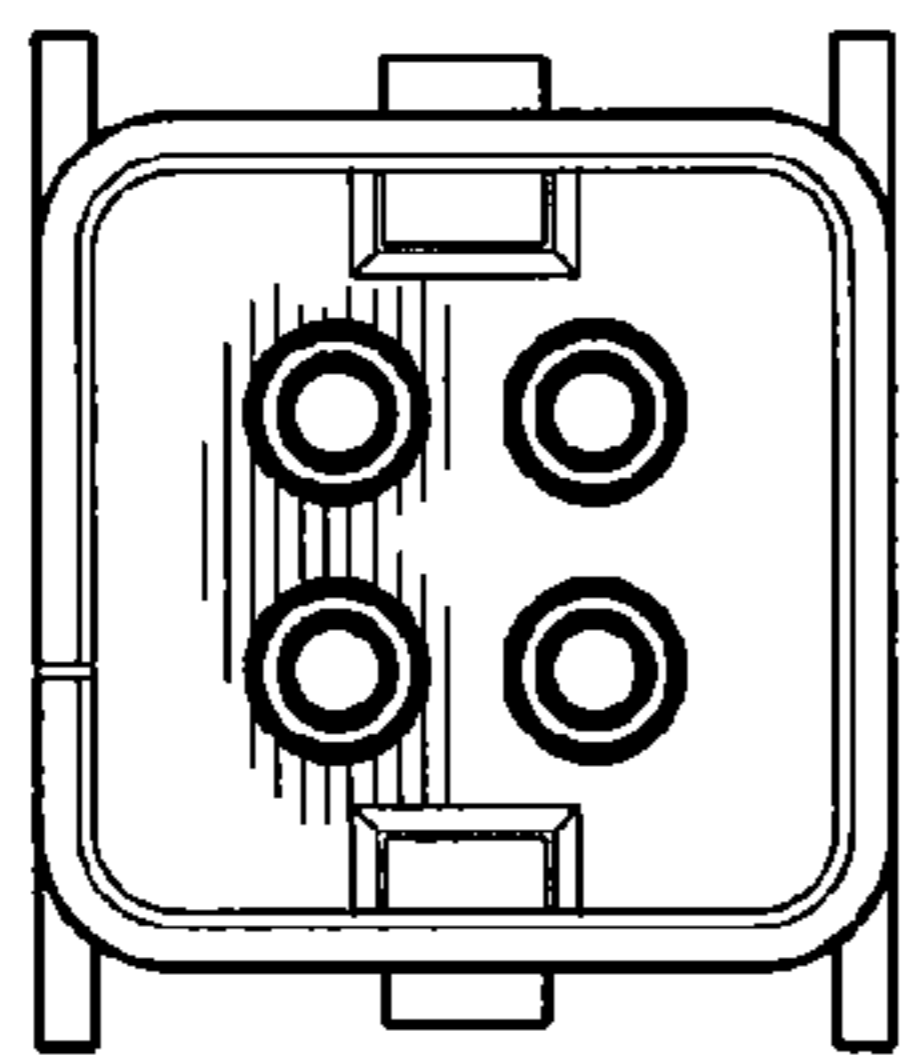


FIG. 5

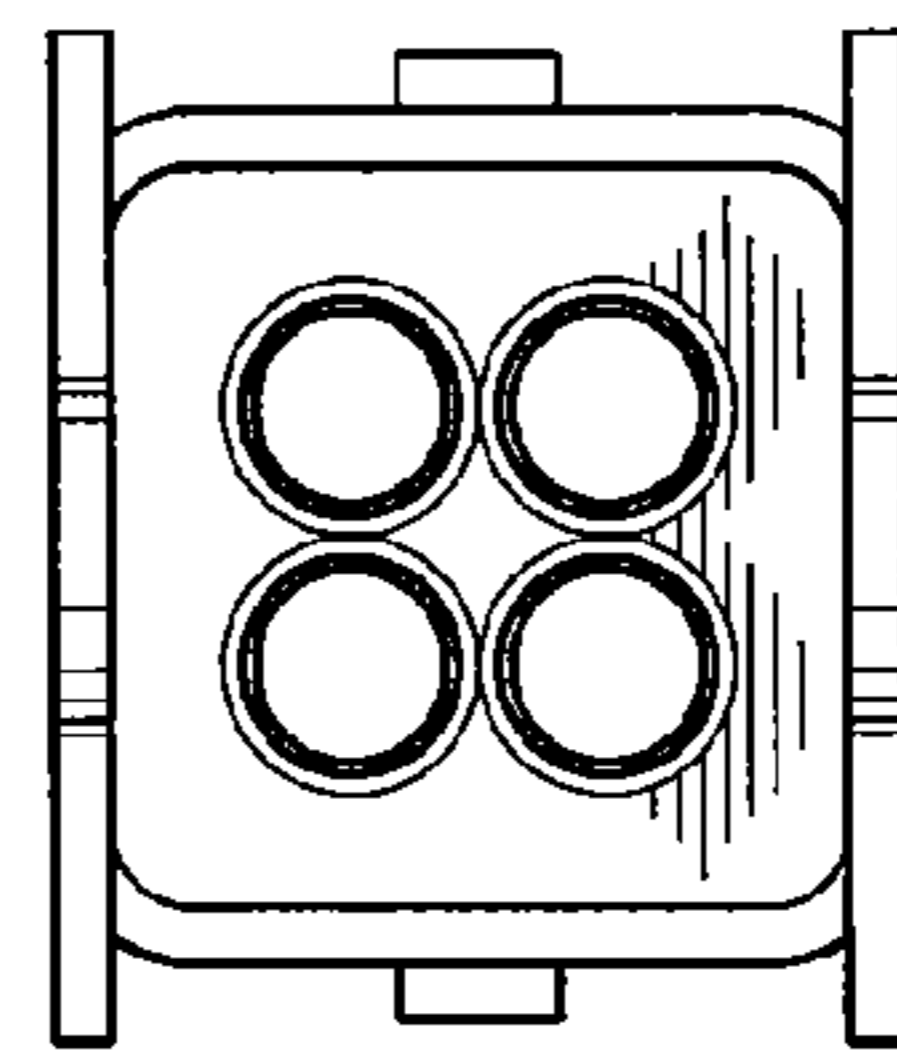


FIG. 6