

US00D560612S

(12) **United States Design Patent**
Arai et al.

(10) **Patent No.:** **US D560,612 S**
(45) **Date of Patent:** **** Jan. 29, 2008**

(54) **ELECTRICAL CONNECTOR**

(75) Inventors: **Junichi Arai**, Gunma (JP); **Takashi Shimizu**, Gunma (JP)

(73) Assignee: **Hosiden Corporation**, Osaka (JP)

(**) Term: **14 Years**

(21) Appl. No.: **29/246,397**

(22) Filed: **Apr. 7, 2006**

(30) **Foreign Application Priority Data**

Oct. 11, 2005 (JP) 2005-029528

(51) **LOC (8) Cl.** **13-03**

(52) **U.S. Cl.** **D13/147**

(58) **Field of Classification Search** D13/146–147,
D13/154, 184, 199; 439/79, 83, 108, 181,
439/607–610, 639

See application file for complete search history.

(56) **References Cited**

U.S. PATENT DOCUMENTS

- 5,073,130 A * 12/1991 Nakamura 439/607
- D433,665 S * 11/2000 Huang D13/147
- D482,658 S * 11/2003 Shao D13/147
- D508,679 S * 8/2005 Li et al. D13/147
- D519,461 S * 4/2006 Su D13/147
- D523,816 S * 6/2006 Su D13/147

- D524,743 S * 7/2006 Lai D13/147
- D524,753 S * 7/2006 Asakawa et al. D13/147
- D524,754 S * 7/2006 Asakawa et al. D13/147
- 2005/0064762 A1 * 3/2005 Yu 439/607

* cited by examiner

Primary Examiner—Daniel Bui

(74) *Attorney, Agent, or Firm*—Akin Gump Strauss Hauer & Feld LLP

(57) **CLAIM**

The ornamental design for an electrical connector, as shown and described.

DESCRIPTION

FIG. 1 is a top, front and right side perspective view of an electrical connector, showing our new design;

FIG. 2 is a bottom, rear and left side perspective view thereof;

FIG. 3 is a front view thereof;

FIG. 4 is a rear view thereof;

FIG. 5 is a left side view thereof;

FIG. 6 is a top view thereof;

FIG. 7 is a bottom view thereof; and,

FIG. 8 is an enlarged sectional view thereof, taken along line 8—8 in FIG. 3.

1 Claim, 4 Drawing Sheets

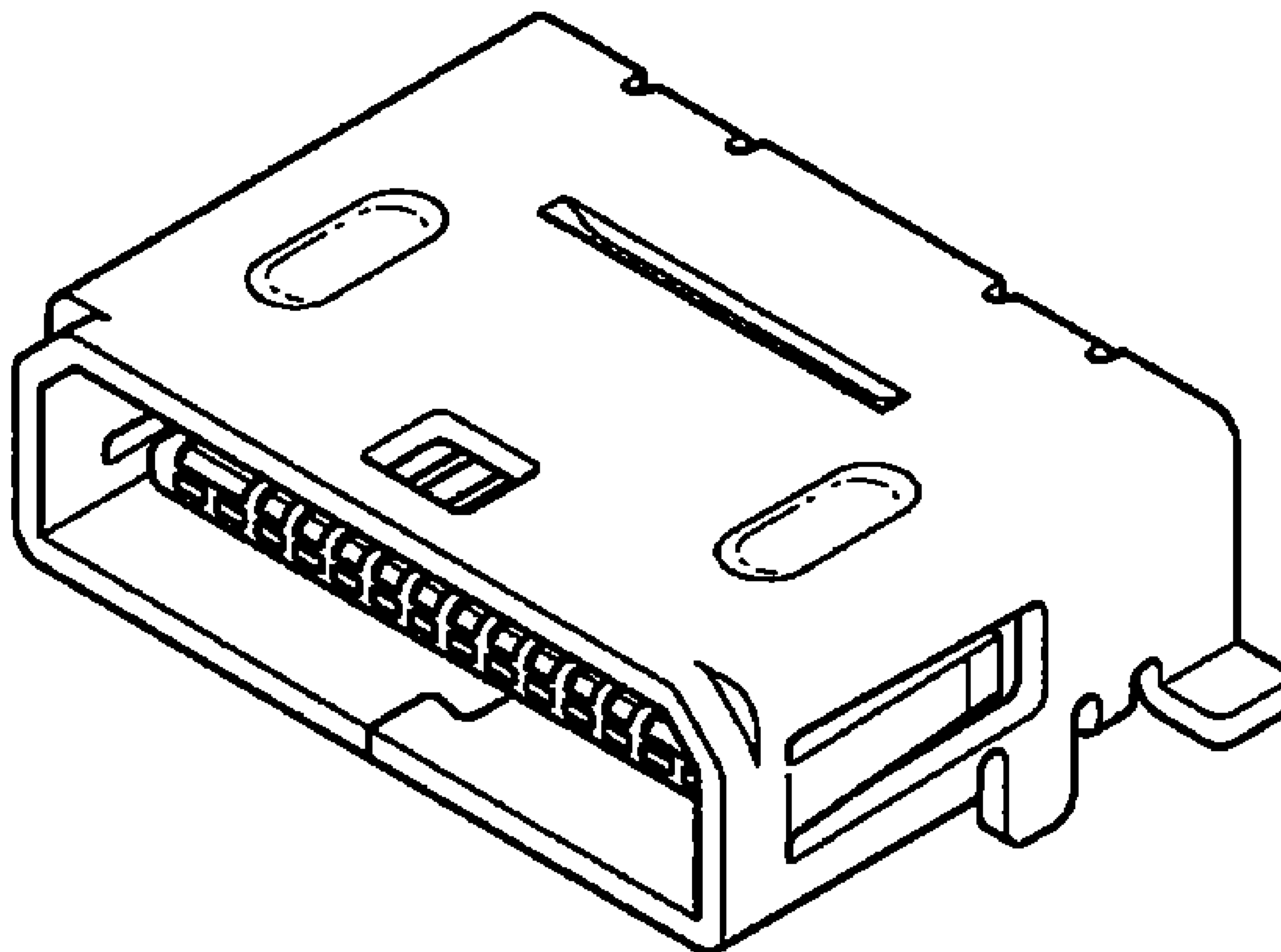


Fig. 1

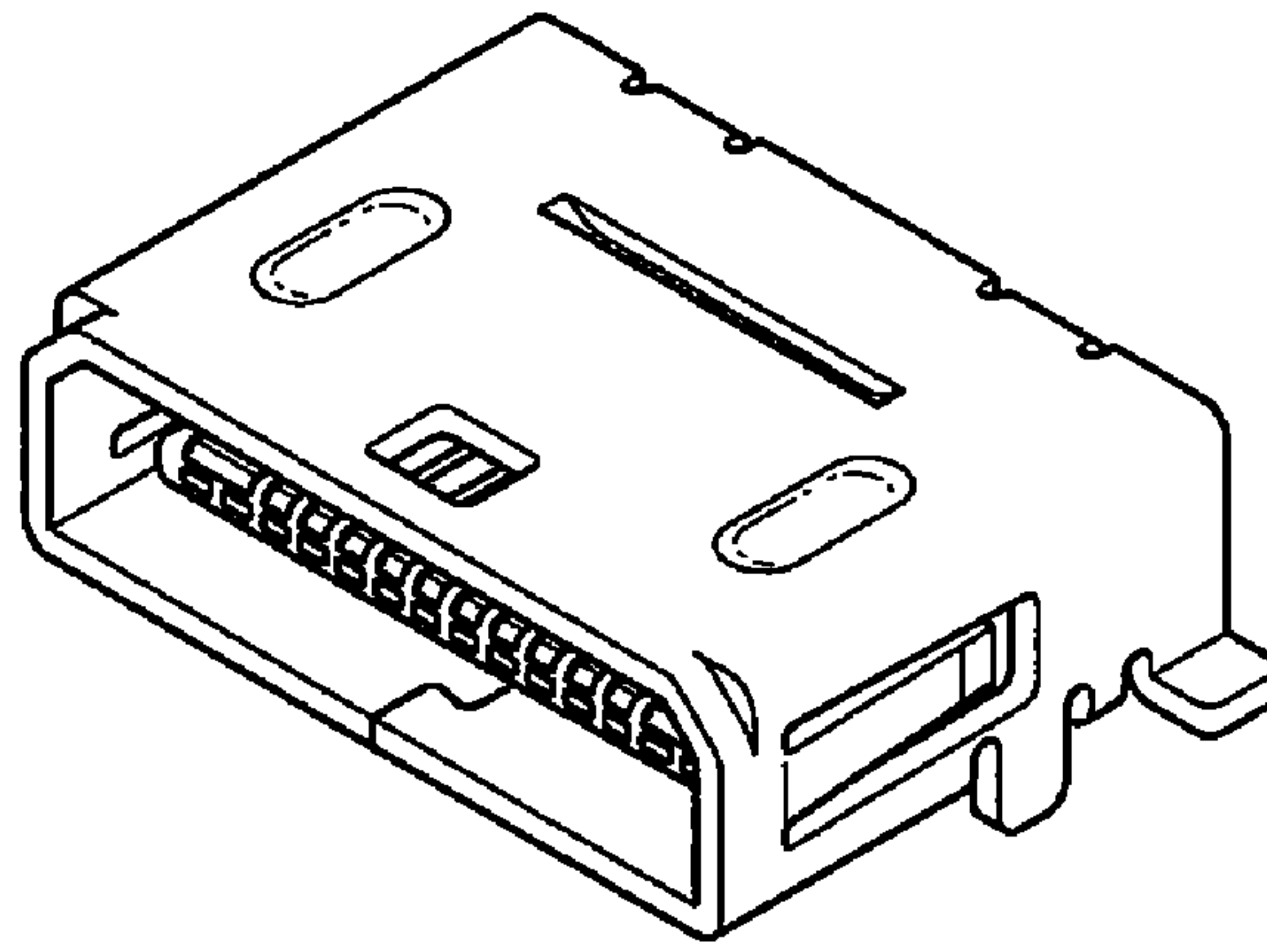


Fig. 2

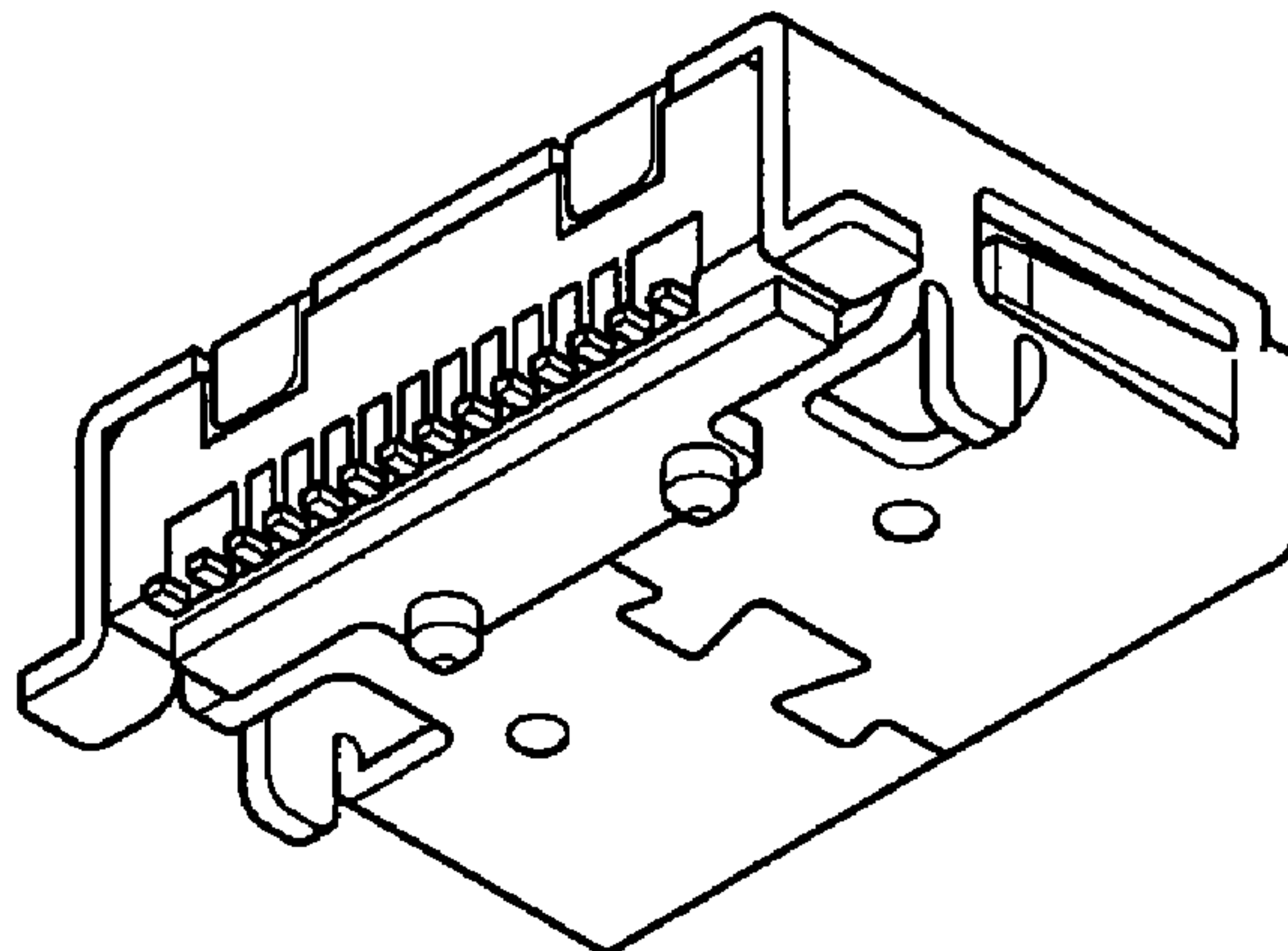


Fig. 3

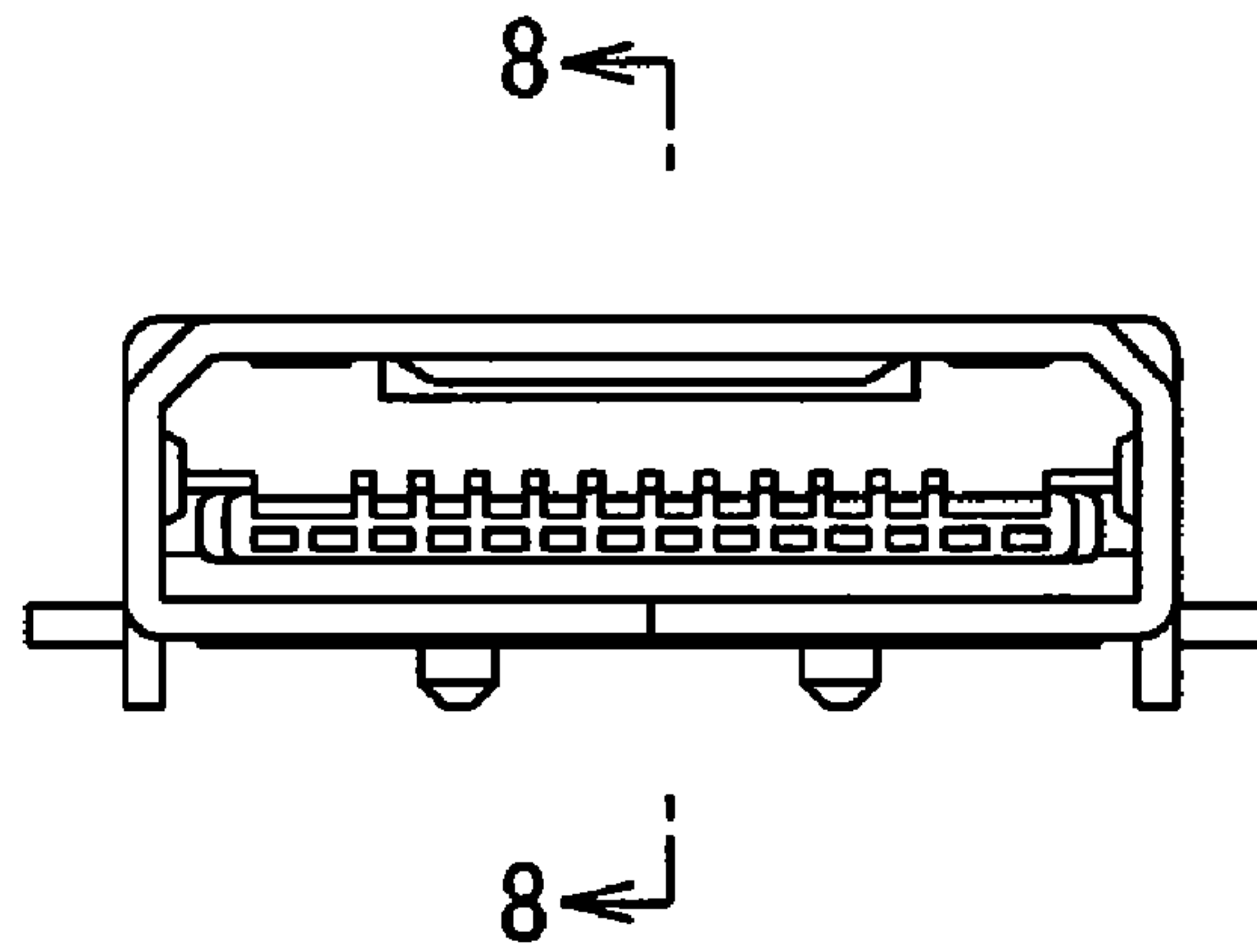


Fig. 4

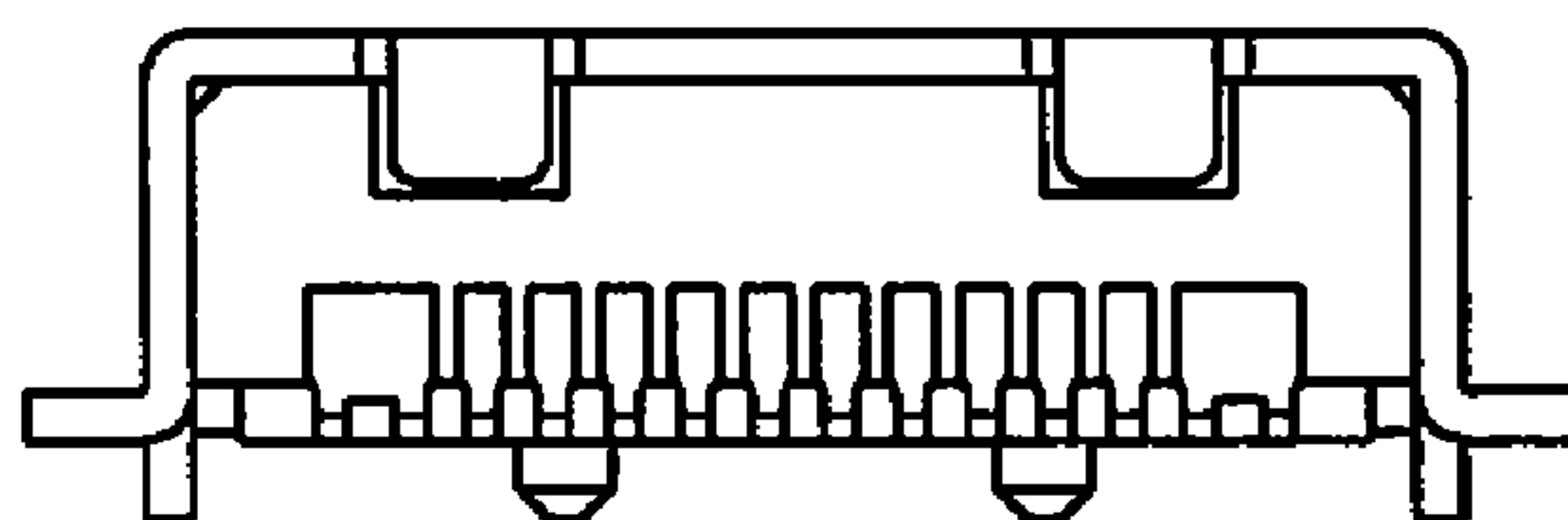


Fig. 5

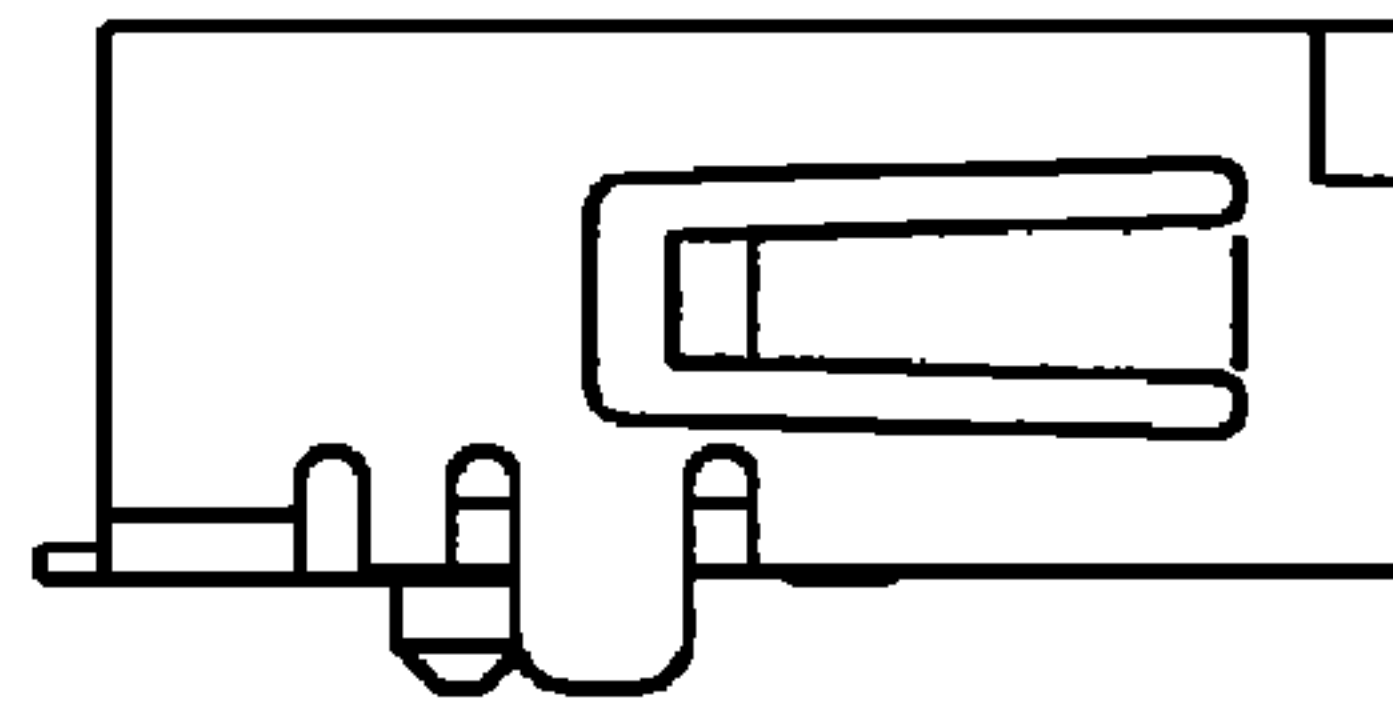


Fig. 6

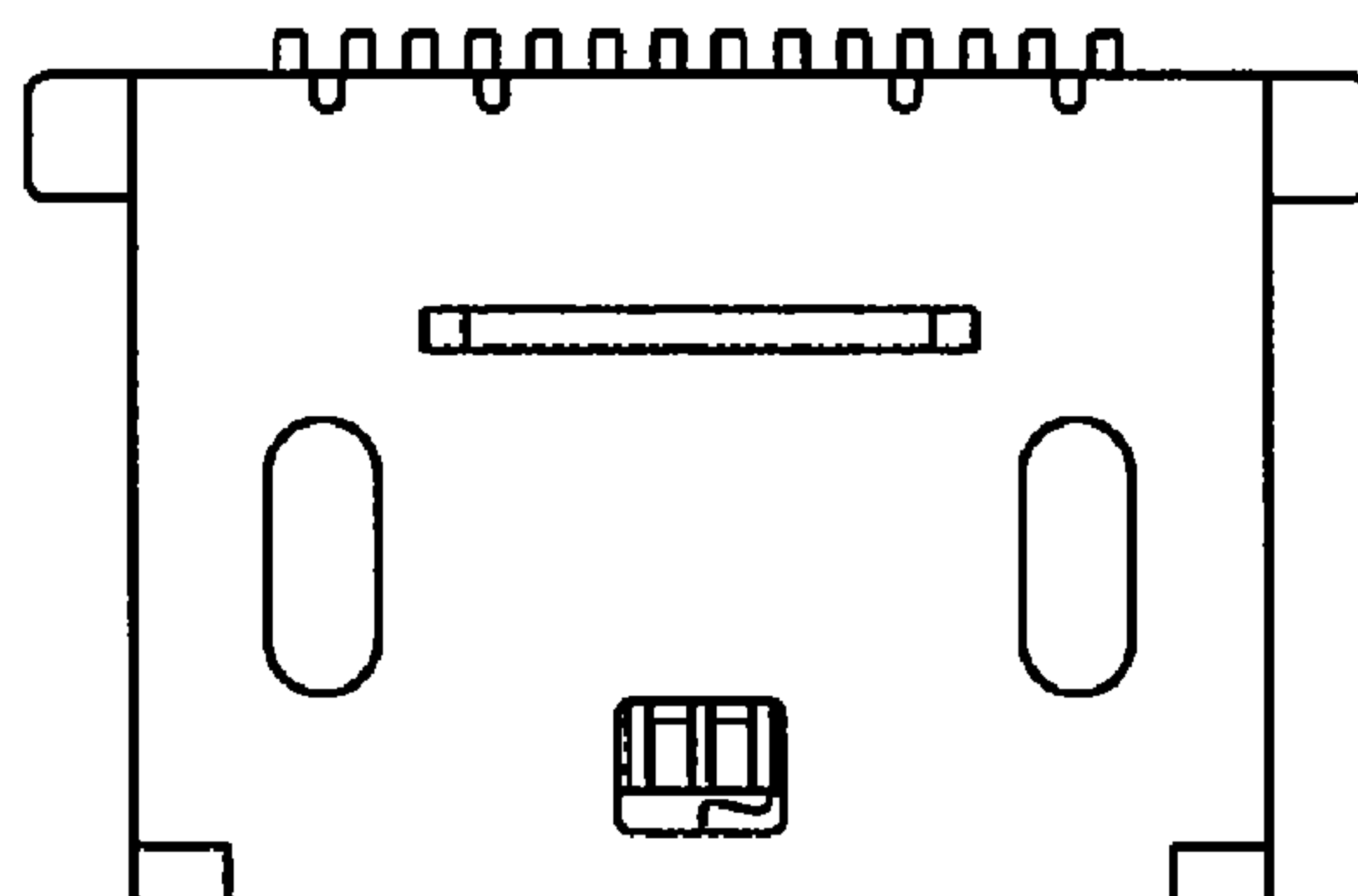


Fig. 7

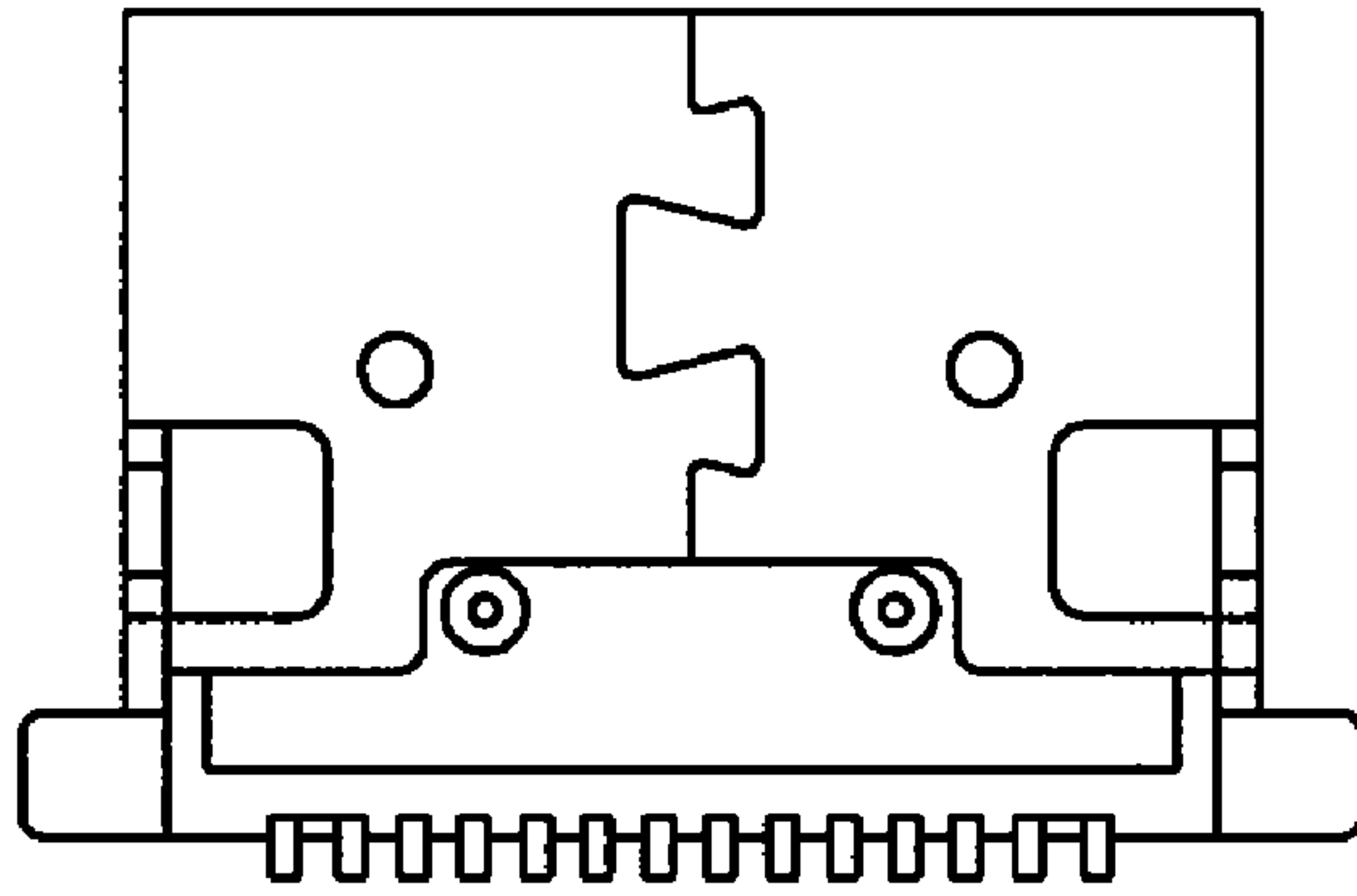


Fig. 8

