



US00D560611S

(12) **United States Design Patent**
Iwao et al.

(10) **Patent No.:** **US D560,611 S**
(45) **Date of Patent:** **** Jan. 29, 2008**

(54) **BASE TERMINAL FOR LIGHTING CONTROL**

2006/0063435 A1* 3/2006 Evans 439/680

* cited by examiner

(75) Inventors: **Noriaki Iwao**, Kamakiri Tsu (JP);
Shinji Sakasegawa, Tsu (JP)

Primary Examiner—Daniel Bui
(74) *Attorney, Agent, or Firm*—Osha•Liang LLP

(73) Assignee: **Matsushita Electric Works, Ltd.**,
Osaka (JP)

(57) **CLAIM**

(**) Term: **14 Years**

The ornamental design for a base terminal for lighting control, as shown and described.

(21) Appl. No.: **29/237,796**

DESCRIPTION

(22) Filed: **Sep. 7, 2005**

(30) **Foreign Application Priority Data**

Mar. 7, 2005 (JP) 2005-006629

(51) **LOC (8) Cl.** **13-03**

(52) **U.S. Cl.** **D13/147; D13/159**

(58) **Field of Classification Search** D13/133,
D13/146, 147, 154, 159, 164, 184, 199; 439/151–153,
439/246, 249, 283, 374–375, 540.1, 541.5,
439/660, 668

See application file for complete search history.

(56) **References Cited**

U.S. PATENT DOCUMENTS

6,848,950	B2 *	2/2005	Allison et al.	439/682
7,037,142	B2 *	5/2006	Evans	439/680
D532,378	S *	11/2006	Kesler	D13/147
7,140,925	B2 *	11/2006	Allison et al.	439/680
D537,794	S *	3/2007	Sasaki et al.	D13/159
D539,756	S *	4/2007	Sasaki et al.	D13/159
D541,754	S *	5/2007	Sasaki et al.	D13/159

FIG. 1 is a top, front and right side perspective view of a base terminal for lighting control, showing our new invention;

FIG. 2 is a bottom, front and right side perspective view thereof;

FIG. 3 is a front elevation view thereof;

FIG. 4 is a rear elevation view thereof;

FIG. 5 is a top plan view thereof;

FIG. 6 is a bottom plan view thereof;

FIG. 7 is a left side elevation view thereof;

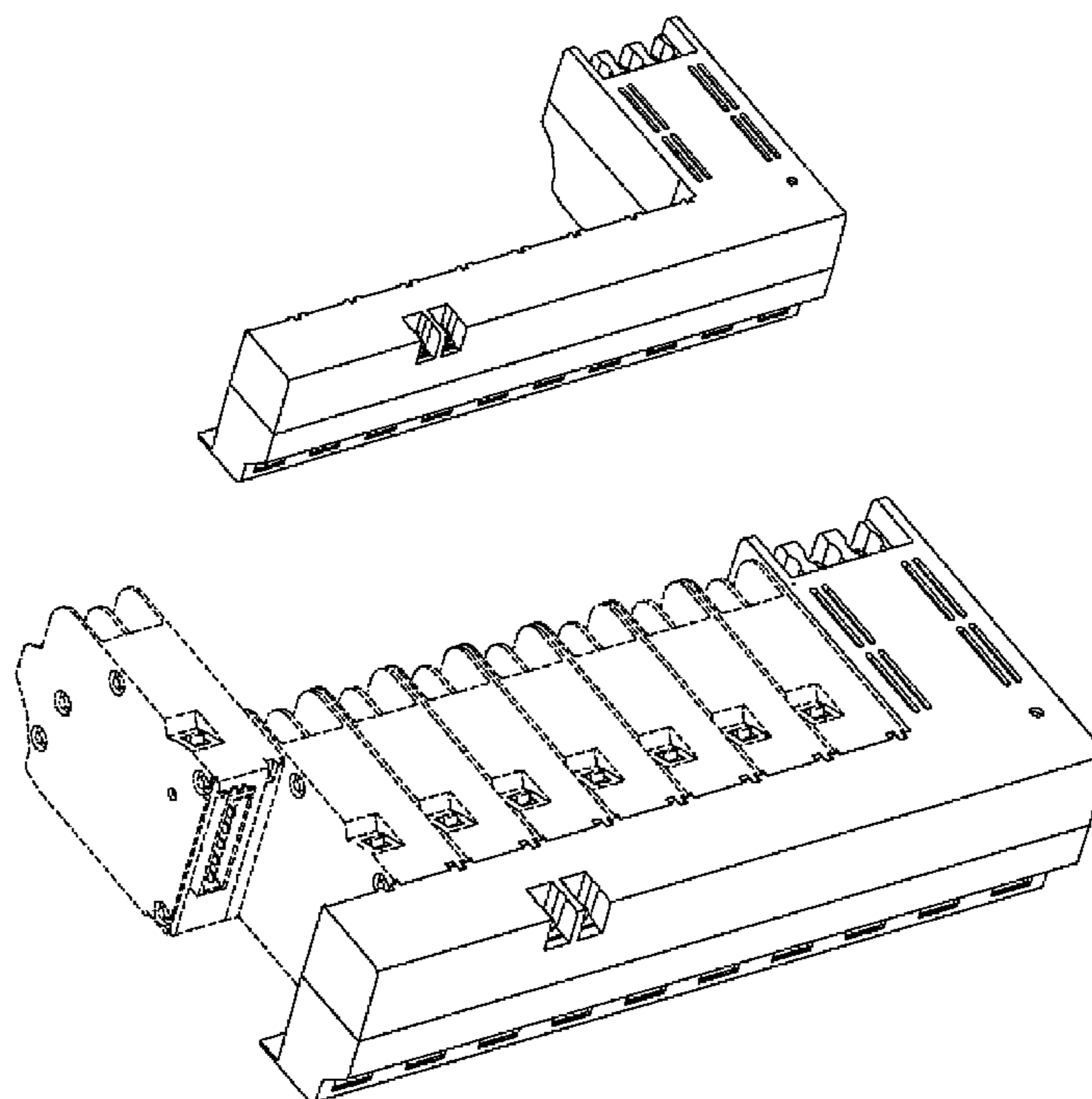
FIG. 8 is a right side elevation view thereof;

FIG. 9 is a sectional view thereof, taken along line “9—9” in FIG. 6, and,

FIG. 10 is a top, front and right side perspective view thereof, in use condition.

The broken line showing of the environment is for illustrative purposes only and forms no part of the claimed design.

1 Claim, 5 Drawing Sheets



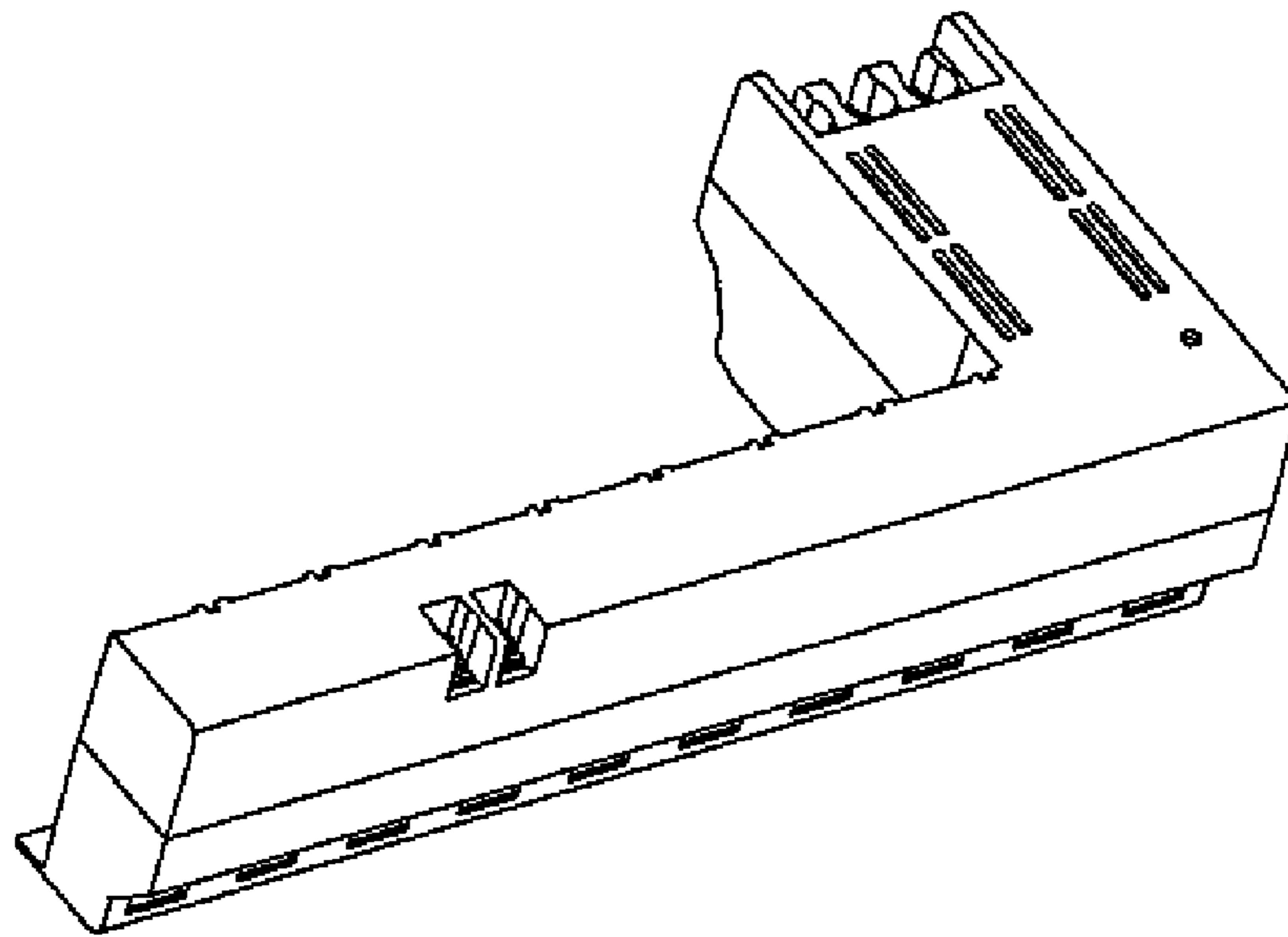


FIG. 1

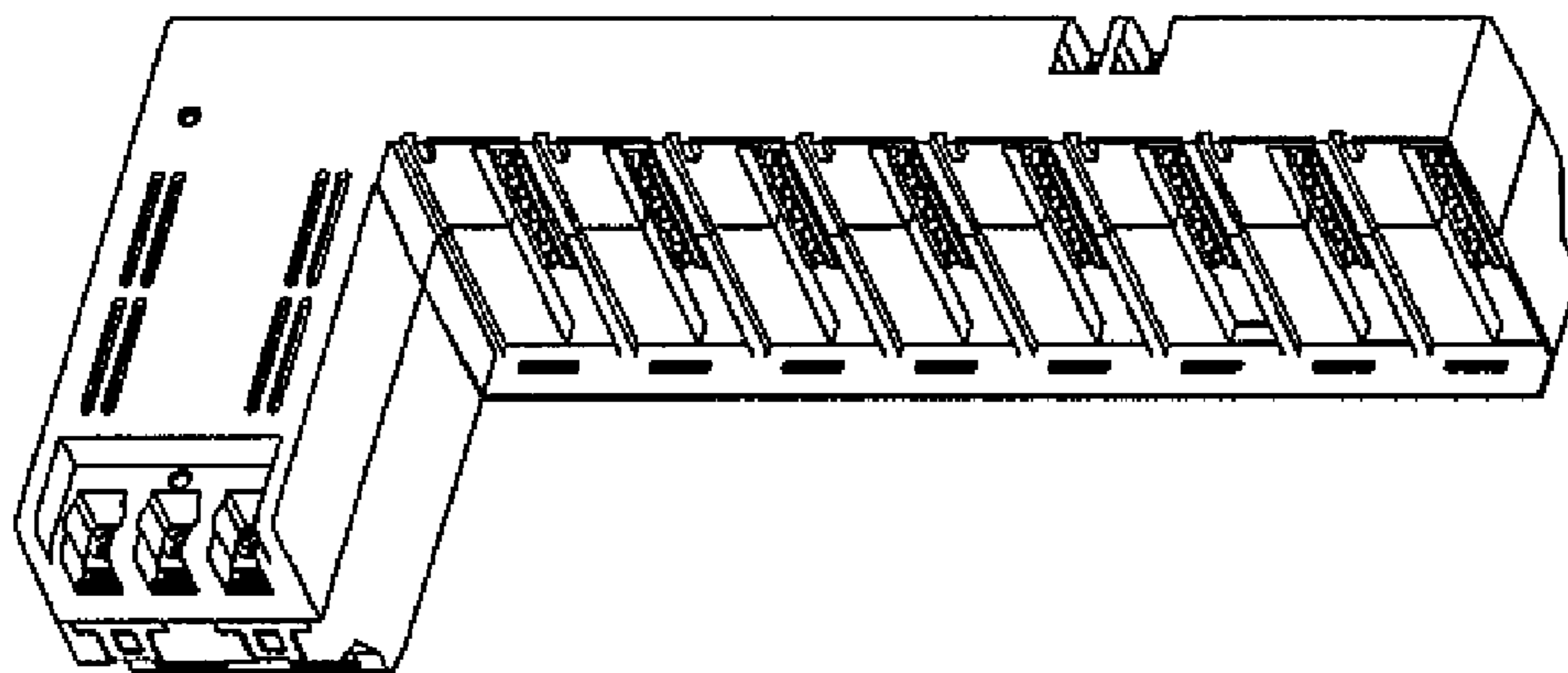


FIG. 2

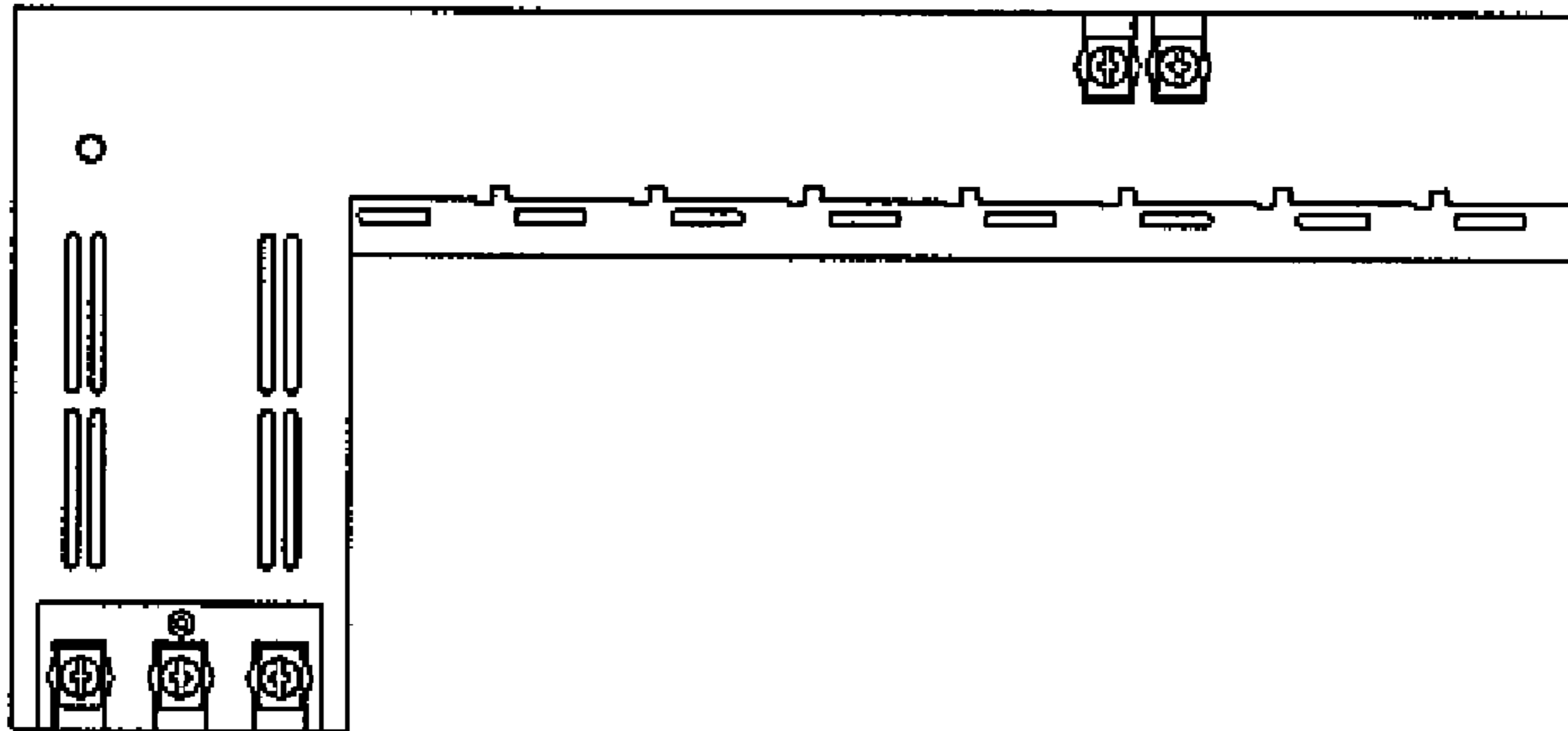


FIG. 3

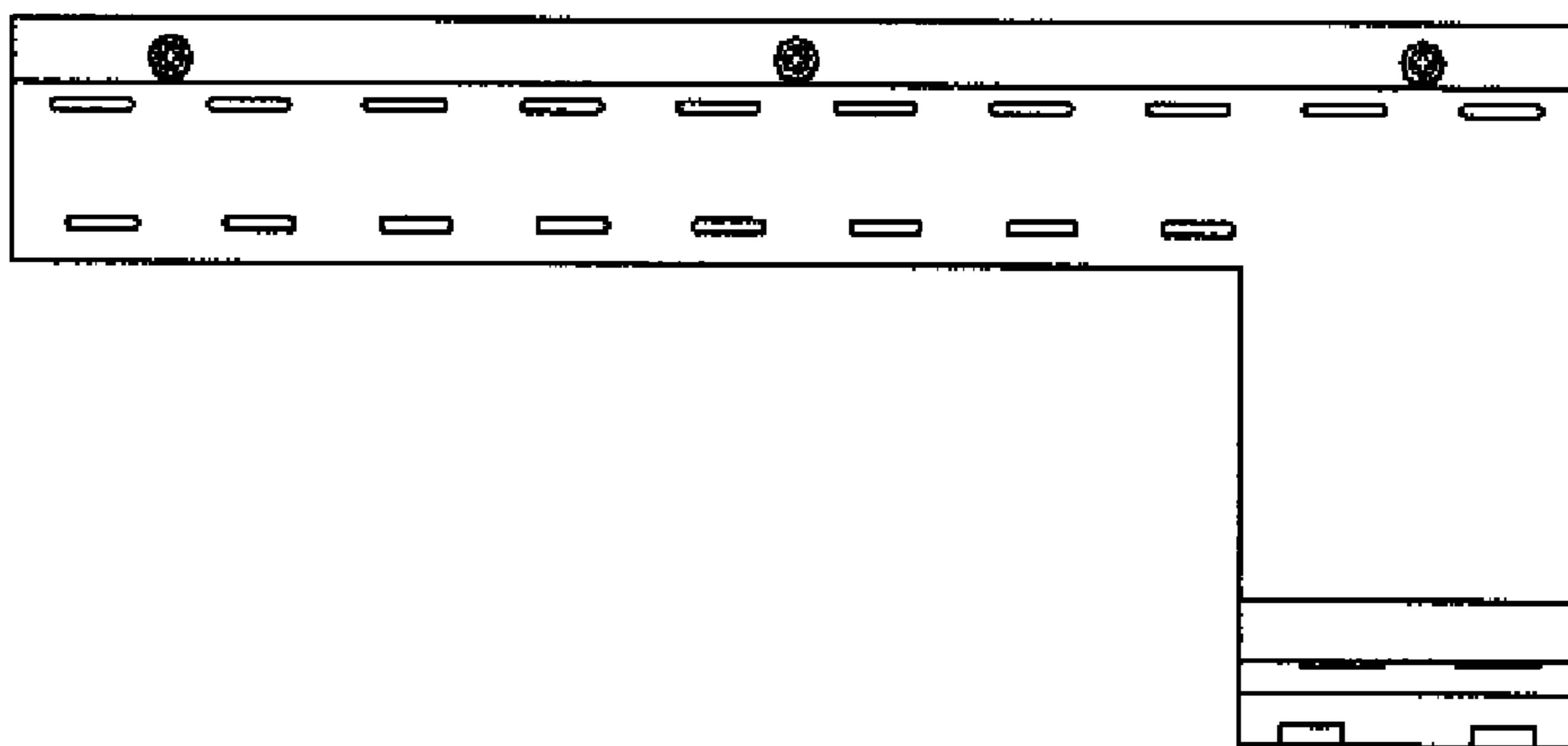


FIG. 4

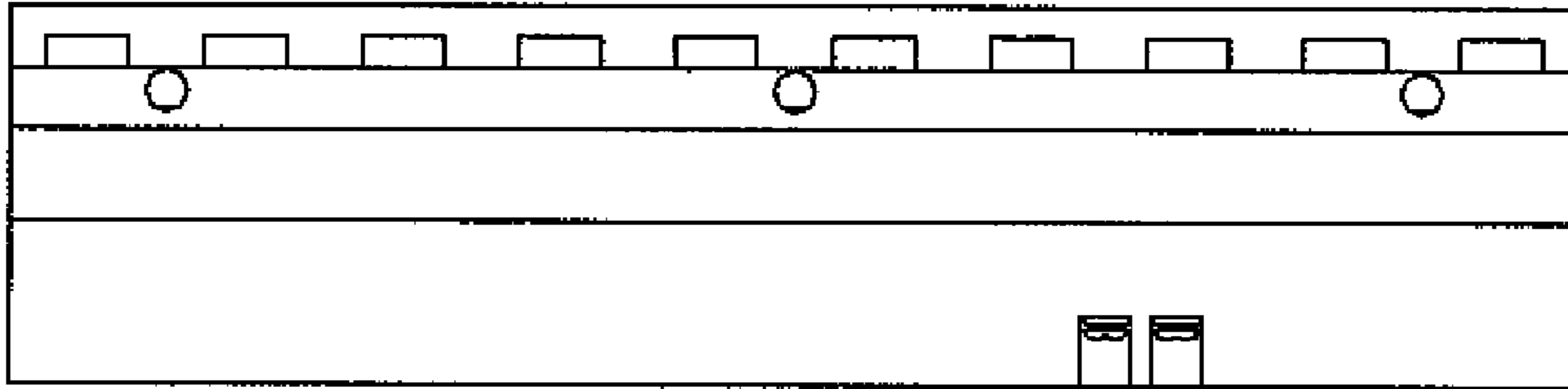


FIG. 5

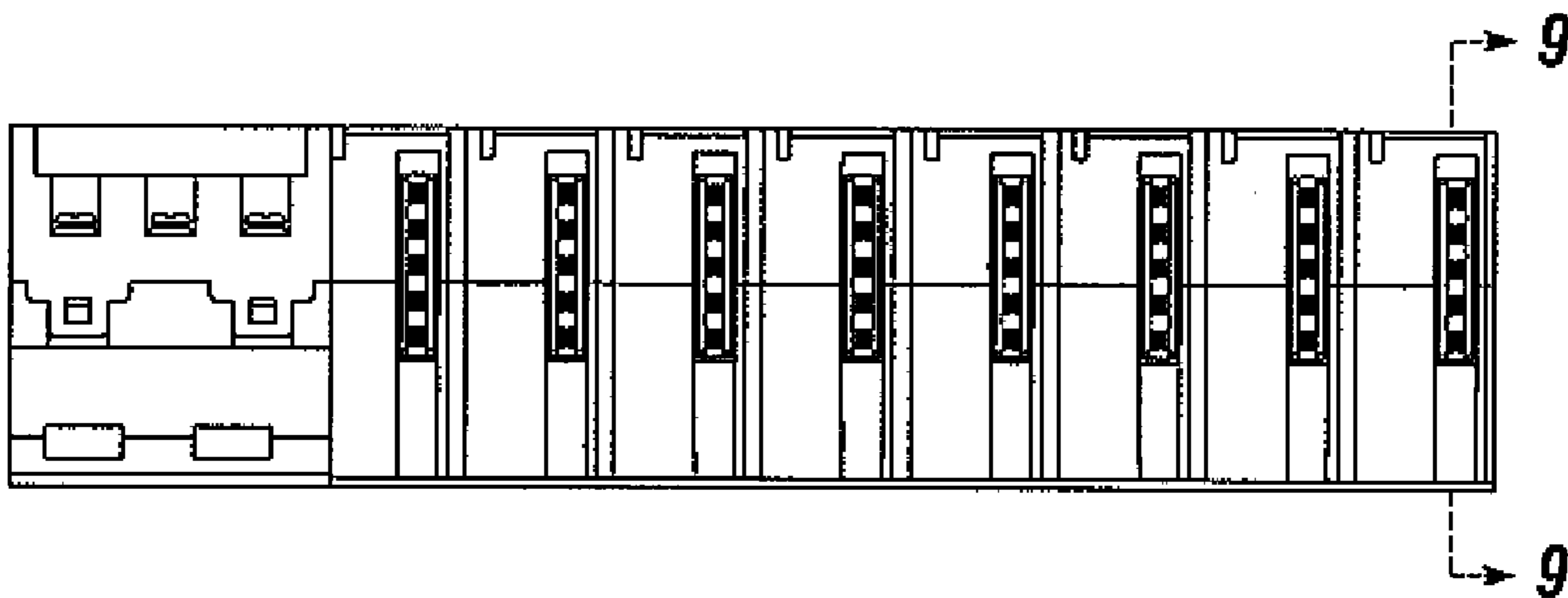


FIG. 6

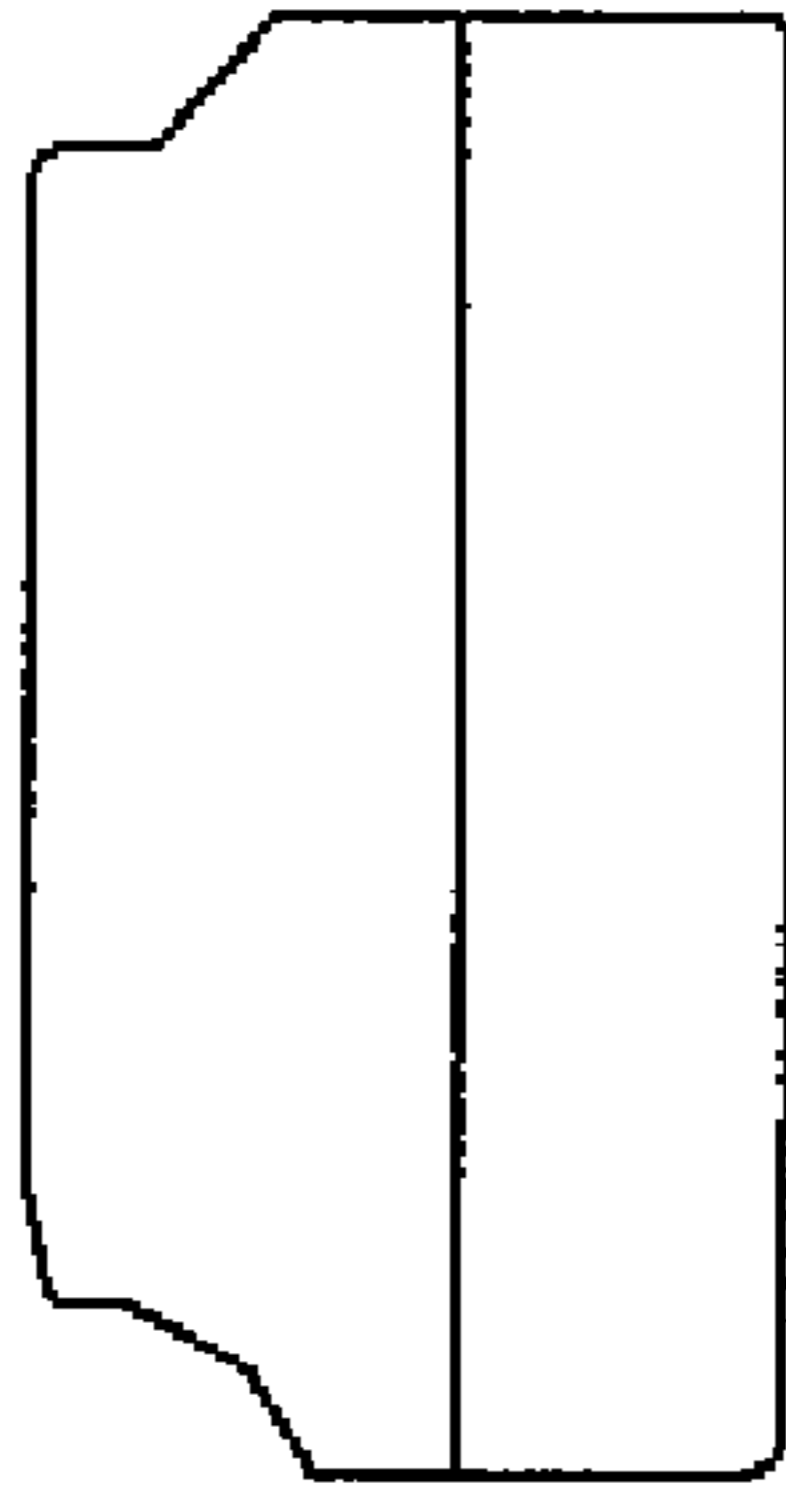


FIG. 7

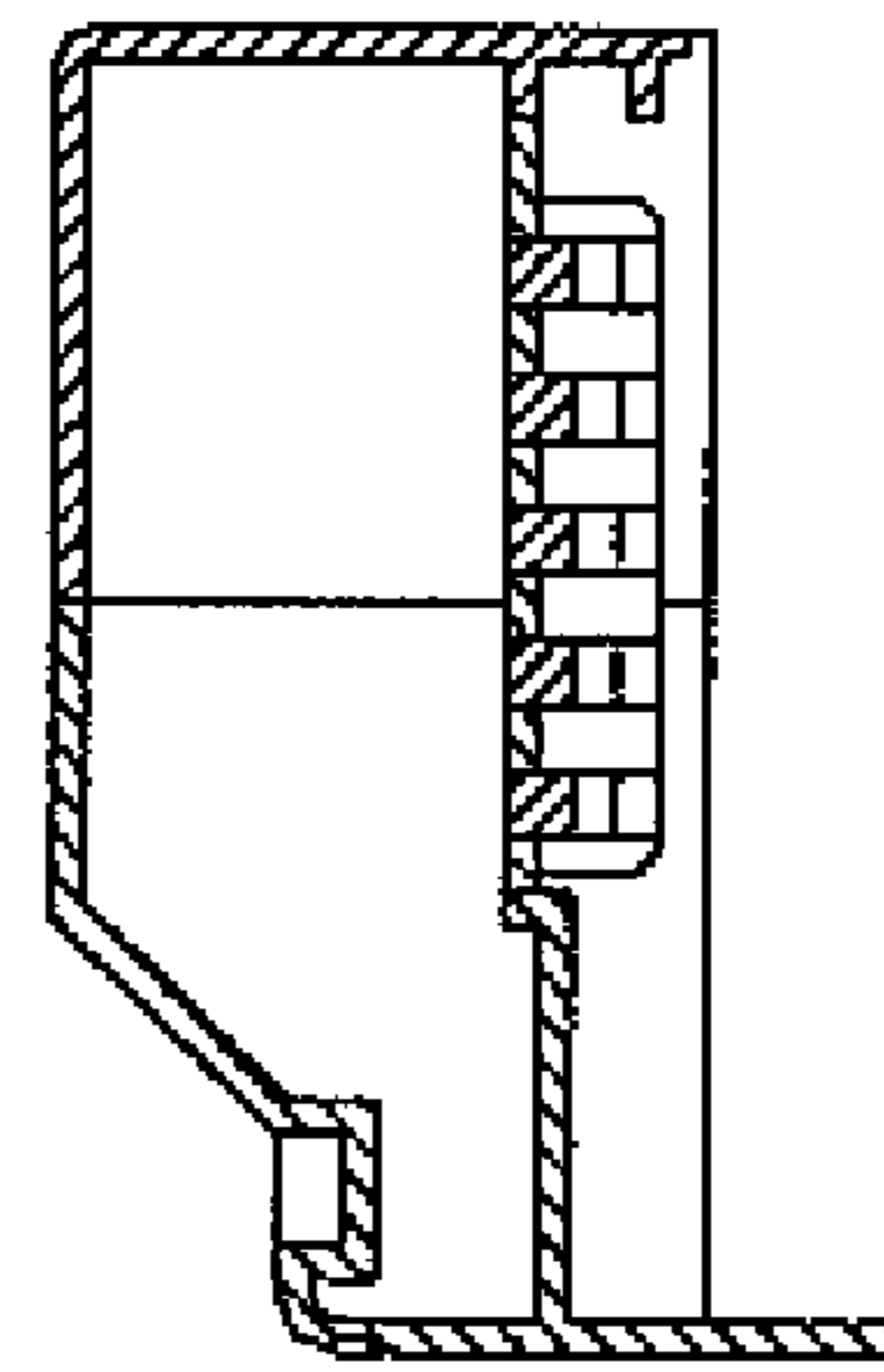


FIG. 9

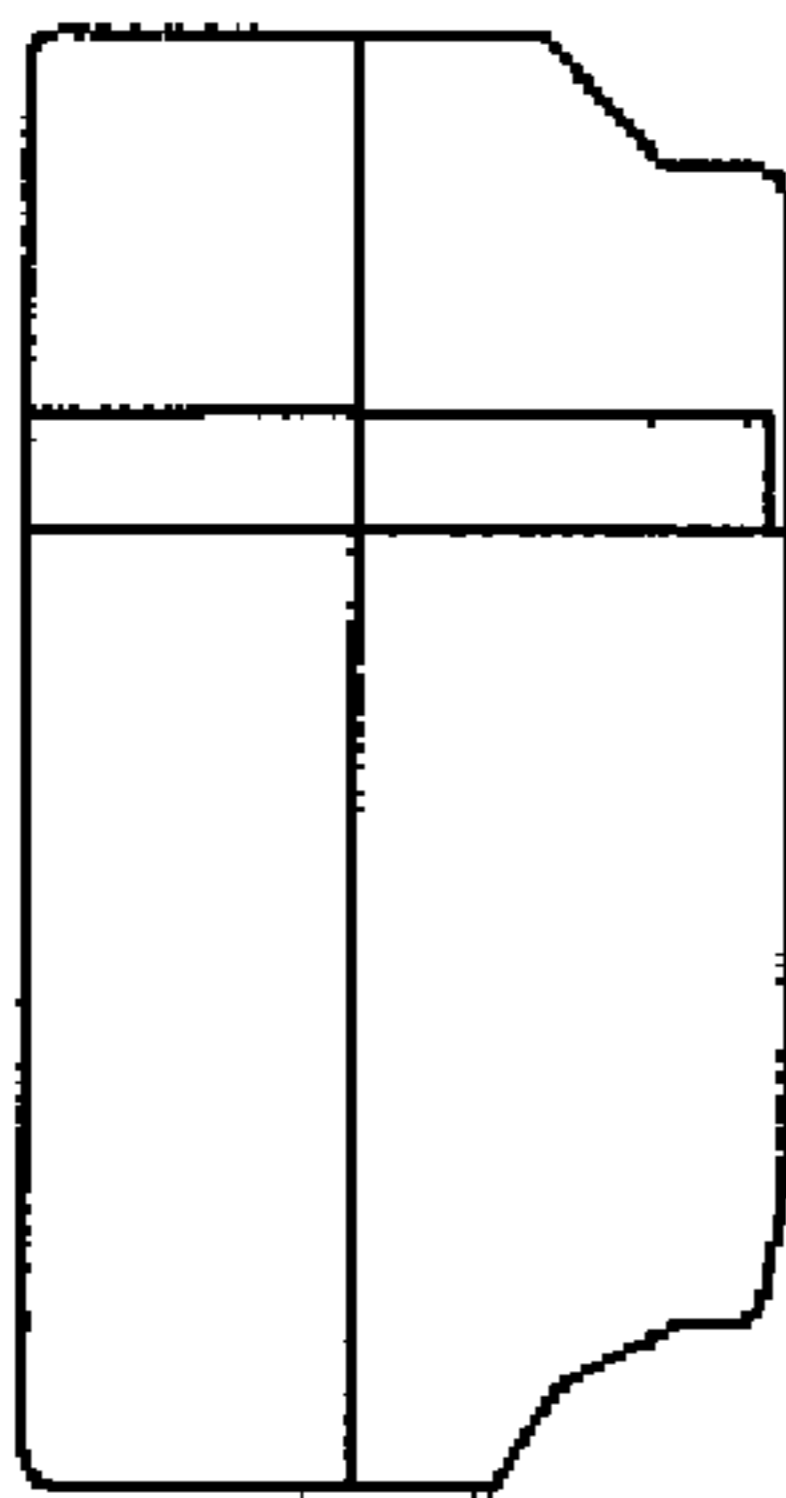


FIG. 8

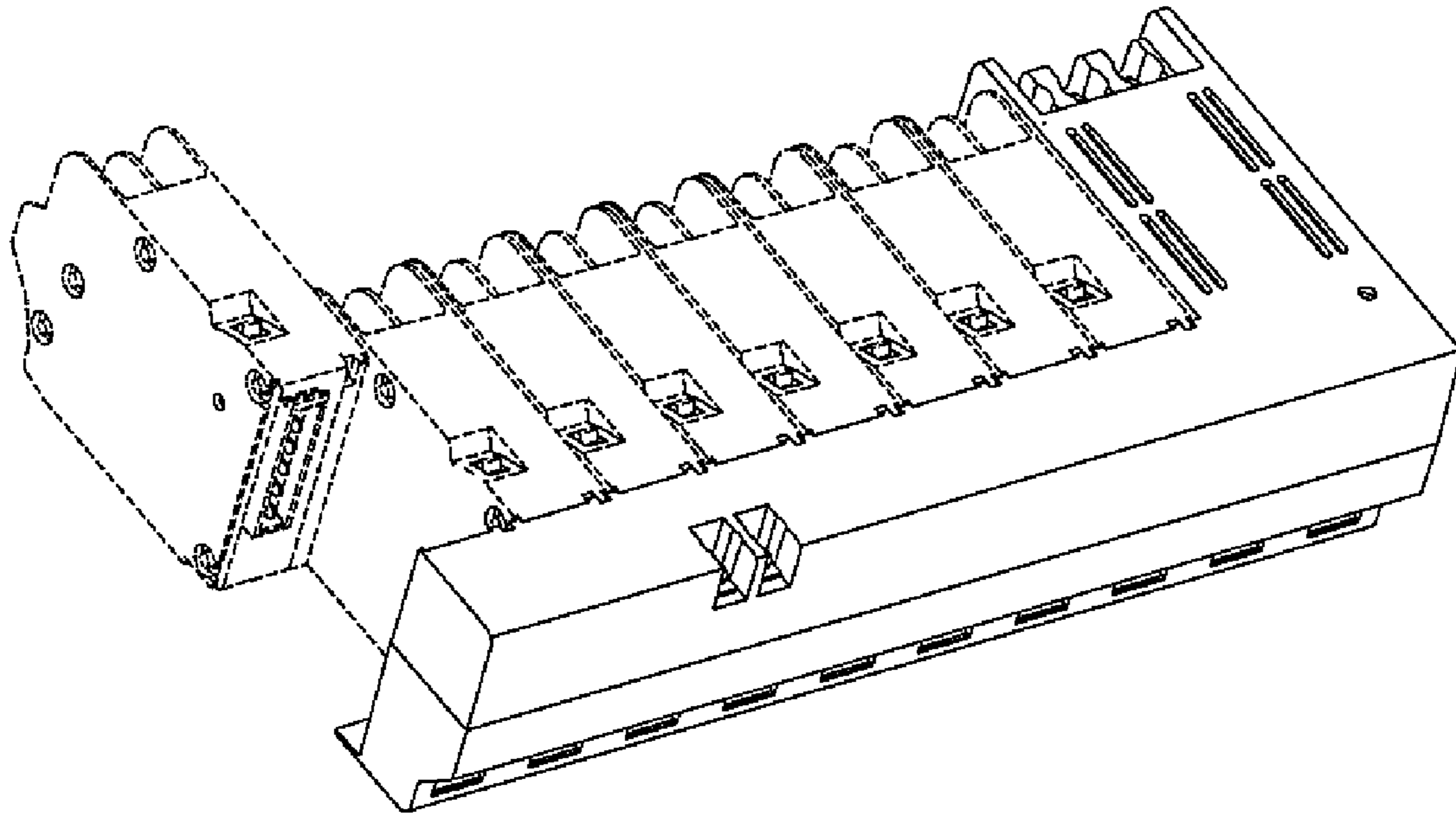


FIG. 10