

US00D560608S

(12) **United States Design Patent**
Dornauer et al.

(10) **Patent No.: US D560,608 S**
(45) **Date of Patent: ** Jan. 29, 2008**

(54) **MOTOR STARTER**

(75) Inventors: **Marco Dornauer**, Schwanstetten (DE);
Dirk Hertz, Fichtenhof (DE); **Peter Kaluza**, Rieden (DE)

(73) Assignee: **Siemens Aktiengesellschaft**, Munich (DE)

(**) Term: **14 Years**

(21) Appl. No.: **29/260,106**

(22) Filed: **May 19, 2006**

(30) **Foreign Application Priority Data**

Nov. 21, 2005 (EM) 000446778-0001

(51) **LOC (8) Cl.** **13-01**

(52) **U.S. Cl.** **D13/113**

(58) **Field of Classification Search** D13/113,
D13/112, 122, 199; D15/5; 123/185.1, 185.14;
290/47, 48; 310/89, 109

See application file for complete search history.

(56) **References Cited**

U.S. PATENT DOCUMENTS

D205,845 S *	9/1966	Parriott et al.	D13/162
D239,119 S *	3/1976	Dorsey	D13/113
D400,182 S *	10/1998	Yamada	D13/162
6,249,435 B1 *	6/2001	Vicente et al.	361/717
D468,687 S *	1/2003	Hamada et al.	D13/113

OTHER PUBLICATIONS

Author: unknown; soft starter SIEMENS - Anlagen mögen's sanft. SIRIUS und SIKOSTART: catalog, Sep. 2003, p. 1-6, copyright: Siemens AG, Munich/Berlin, Germany.

* cited by examiner

Primary Examiner—Prabhakar Deshmukh

Assistant Examiner—Derrick Holland

(74) *Attorney, Agent, or Firm*—Harness, Dickey & Pierce, P.L.C.

(57) **CLAIM**

The ornamental design for a motor starter, as shown and described.

DESCRIPTION

FIG. 1, is a front elevational view of an embodiment of a motor starter showing our new design;

FIG. 2 is a rear elevational view thereof;

FIG. 3 is a left side elevational view thereof;

FIG. 4 is a right side elevational view thereof;

FIG. 5 is a top plan view thereof;

FIG. 6 is a bottom plan view thereof;

FIG. 7 is a front, left and bottom side perspective view thereof; and,

FIG. 8 is a top, front and right side perspective view thereof.

1 Claim, 8 Drawing Sheets

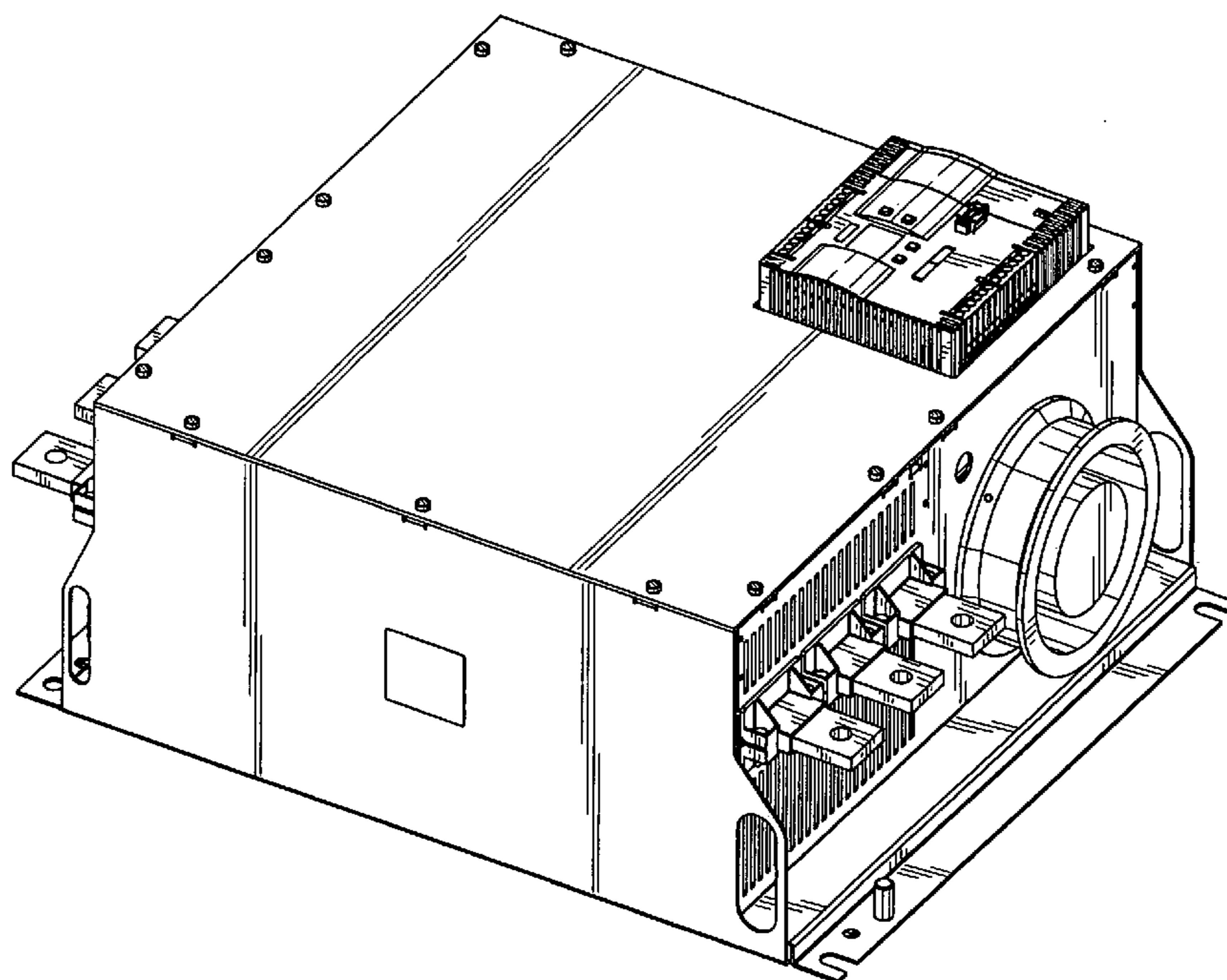


FIG 1

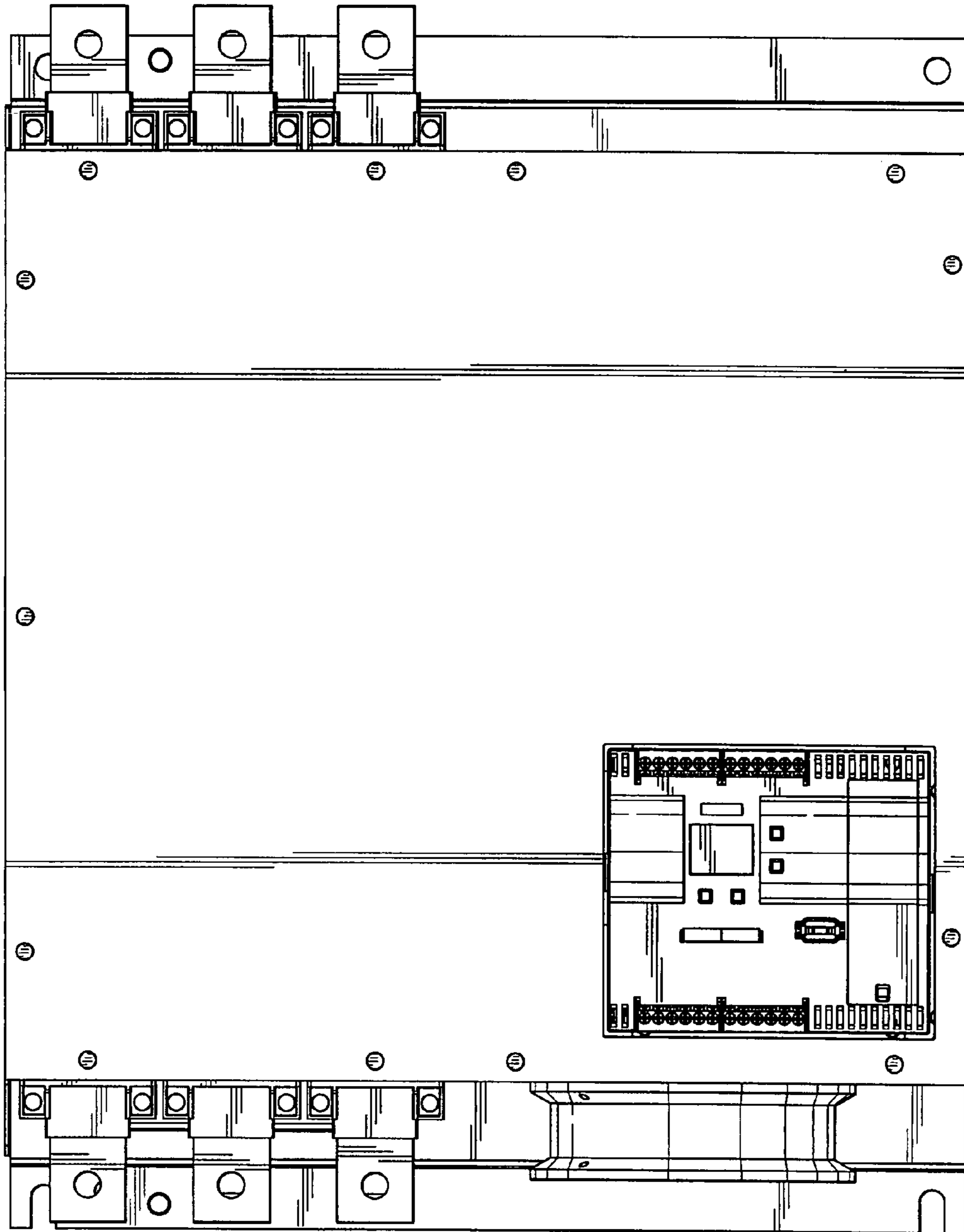


FIG 2

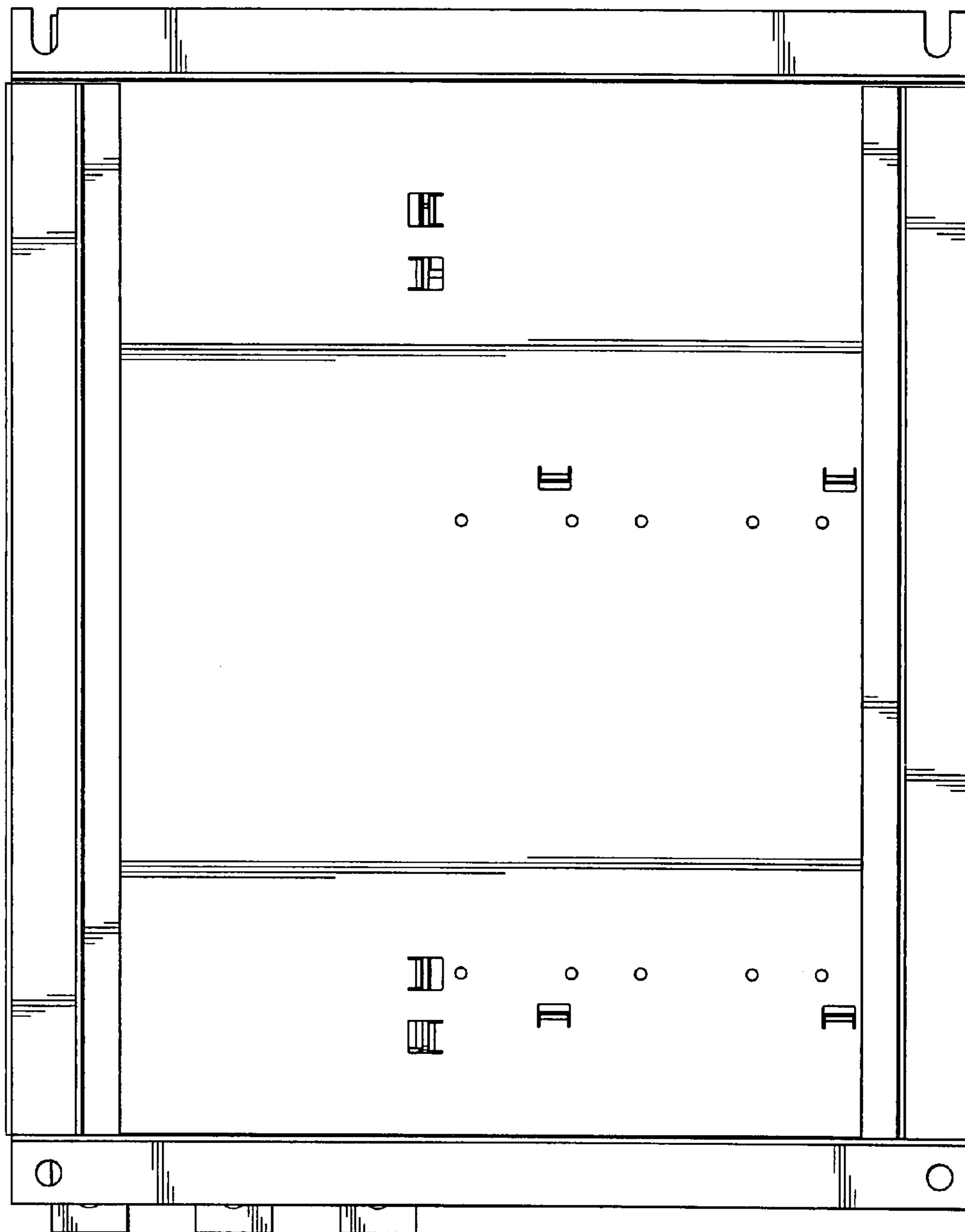


FIG 3

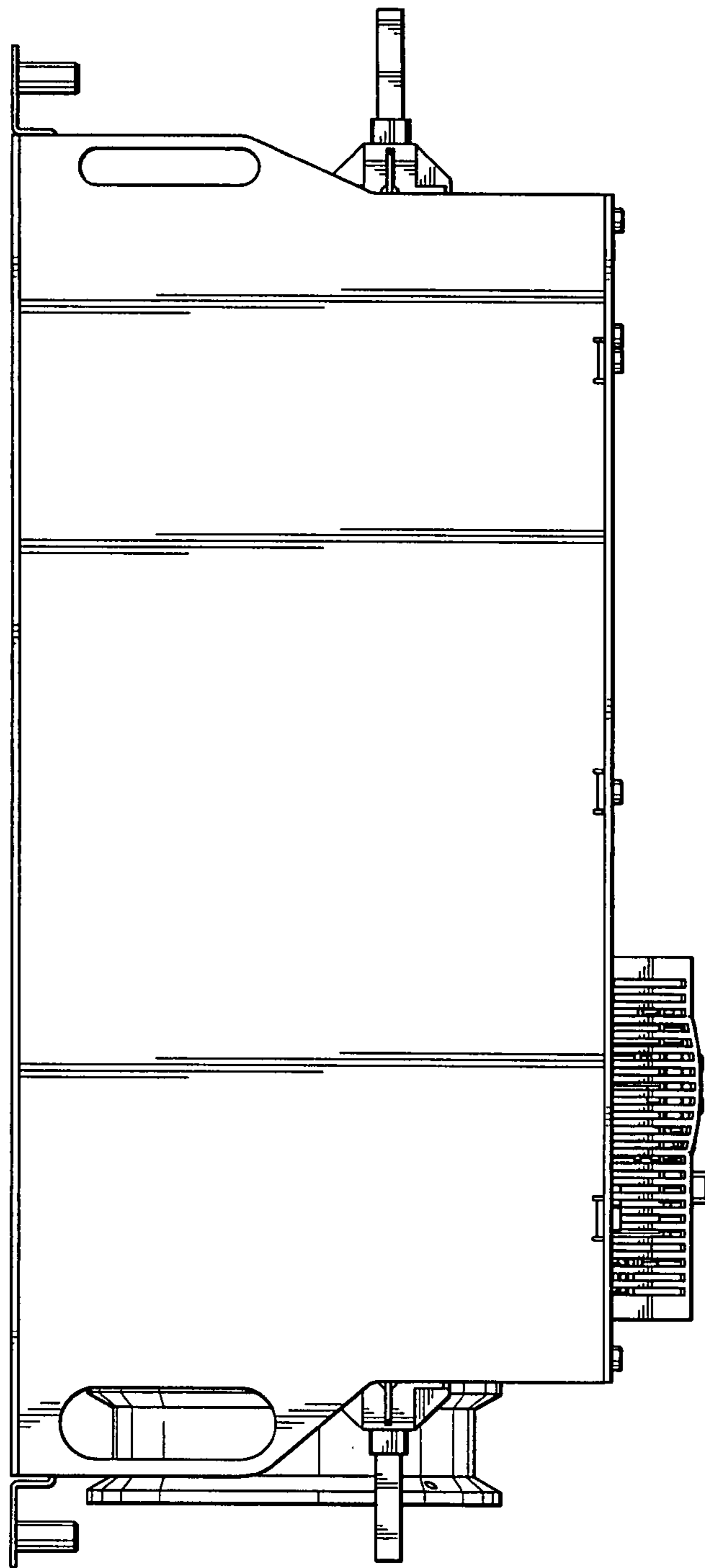


FIG 4

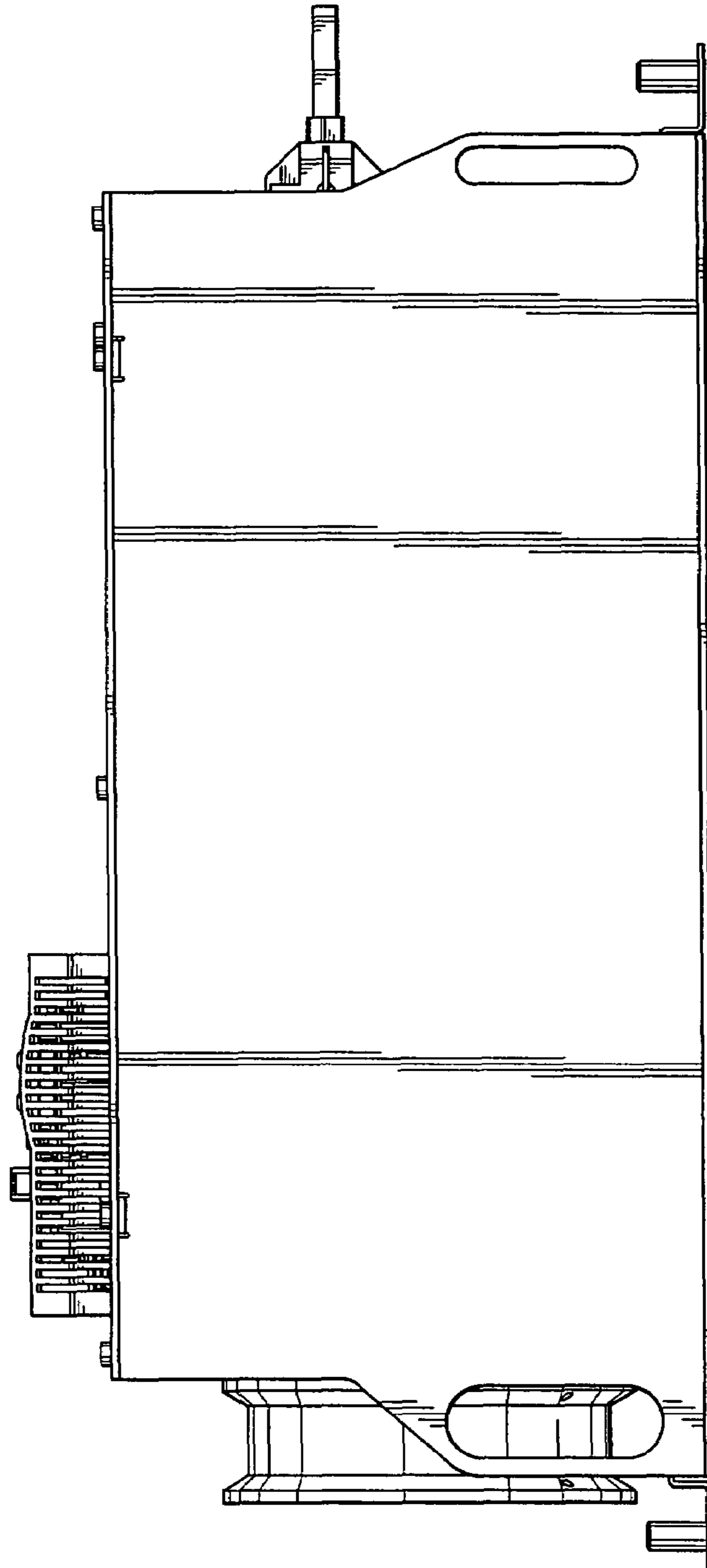


FIG 5

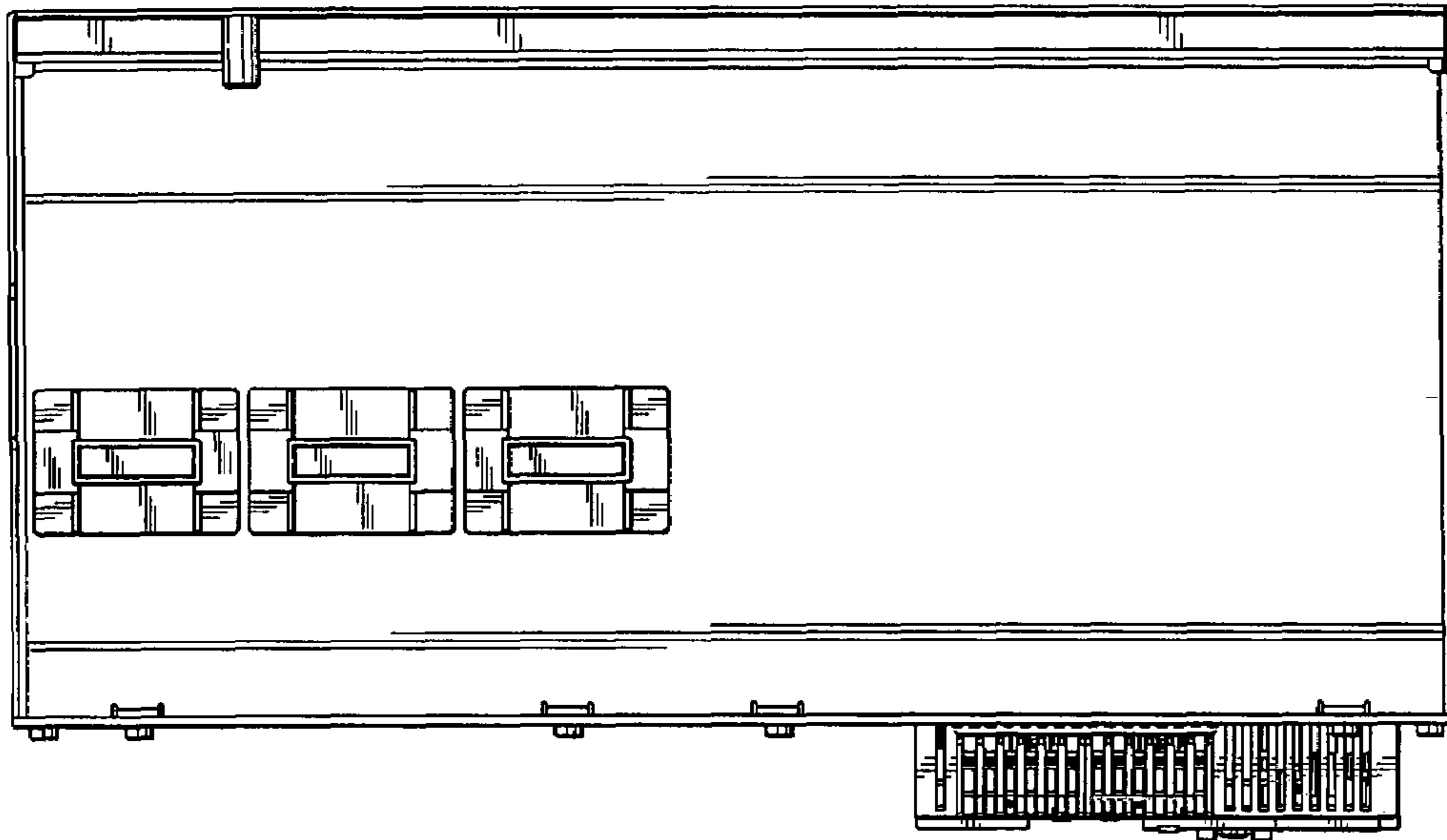


FIG 6

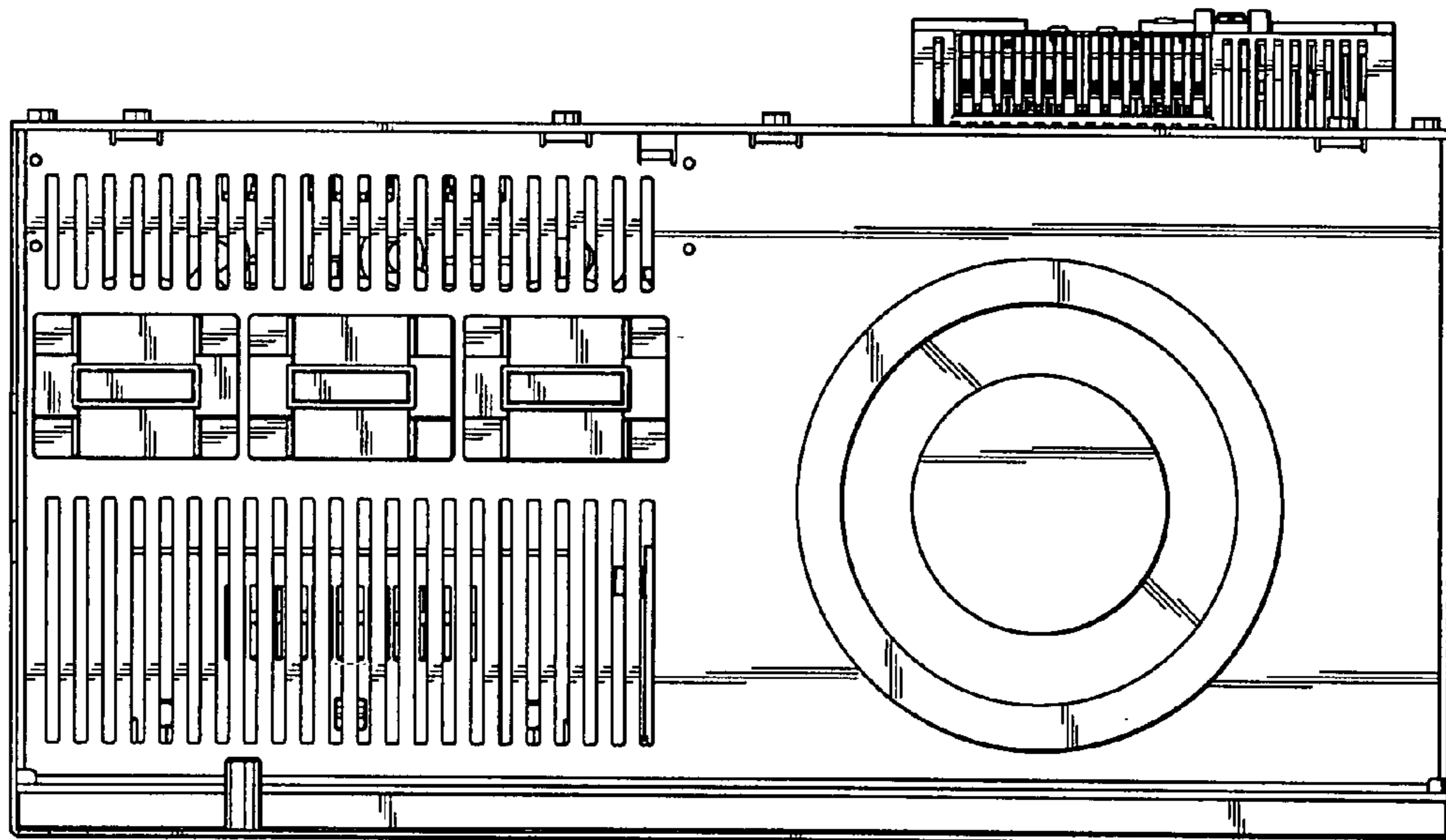


FIG 7

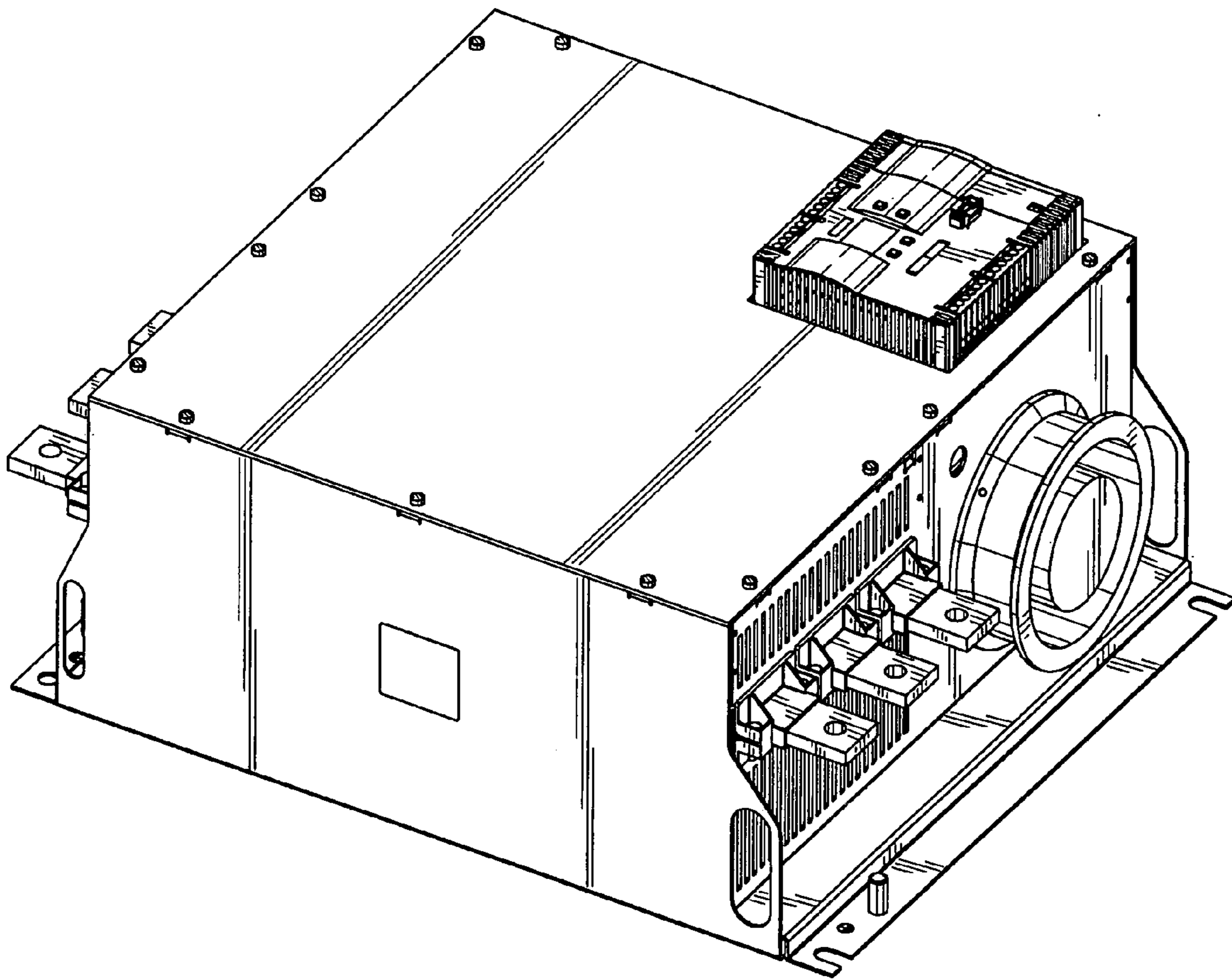


FIG 8

