

US00D560605S

(12) **United States Design Patent**  
**McClintock et al.**

(10) **Patent No.:** **US D560,605 S**

(45) **Date of Patent:** **\*\* Jan. 29, 2008**

(54) **SOLAR PANEL FRAME**

(75) Inventors: **Meredith McClintock**, Portola Valley, CA (US); **Steven Scott**, Poway, CA (US)

(73) Assignee: **Readysolar, Inc.**, Portola Valley, CA (US)

(\*\*) Term: **14 Years**

(21) Appl. No.: **29/249,104**

(22) Filed: **Sep. 20, 2006**

(51) **LOC (8) Cl.** ..... **13-02**

(52) **U.S. Cl.** ..... **D13/102**

(58) **Field of Classification Search** ..... D13/102, D13/101, 184, 199; D6/302, 310; 126/622, 126/623; 136/206, 244, 251, 291  
See application file for complete search history.

(56) **References Cited**

U.S. PATENT DOCUMENTS

4,186,720	A *	2/1980	Schmauder et al.	.....	126/667
D255,522	S *	6/1980	Quigley et al.	.....	D6/505
D260,679	S *	9/1981	Mayerovitch	.....	D13/102
D353,129	S *	12/1994	Ricaud et al.	.....	D13/102
D389,454	S *	1/1998	Mori	.....	D13/102
6,105,316	A *	8/2000	Bottger et al.	.....	52/173.3

D448,722	S *	10/2001	Drummond	.....	D13/102
D456,620	S *	5/2002	Vincent	.....	D6/301
D483,957	S *	12/2003	Skinner	.....	D6/302
2004/0255932	A1 *	12/2004	Nocera	.....	126/634

\* cited by examiner

*Primary Examiner*—Prabhakar Deshmukh

*Assistant Examiner*—Derrick Holland

(74) *Attorney, Agent, or Firm*—Perkins Coie LLP

(57) **CLAIM**

The ornamental design for solar panel frame, as shown and described.

**DESCRIPTION**

FIG. 1 is an enlarged front perspective view of a solar panel frame showing our new design;

FIG. 2 is a bottom view thereof;

FIG. 3 is a top view thereof;

FIG. 4 is a front end thereof;

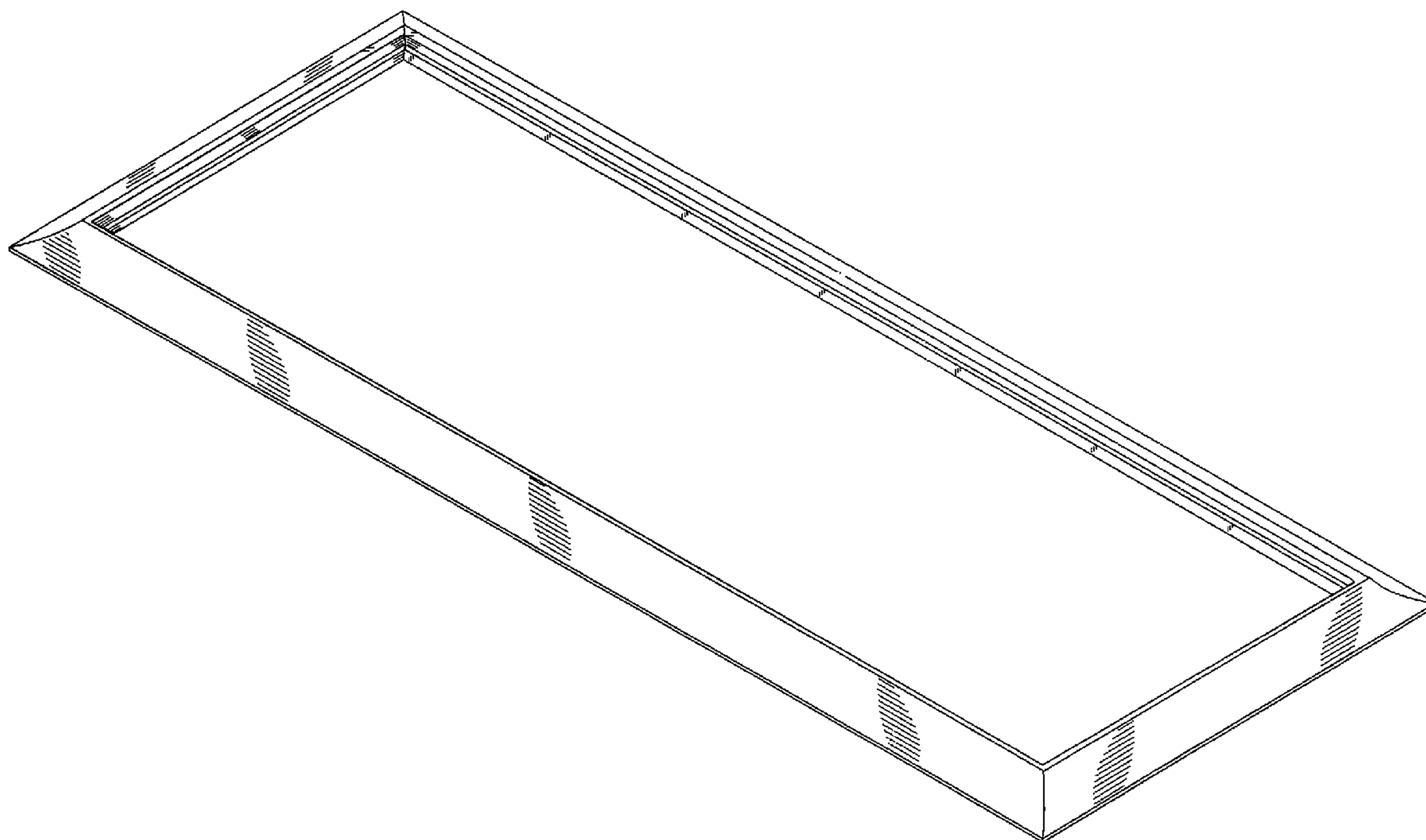
FIG. 5 is a rear end view thereof;

FIG. 6 is a left side view thereof;

FIG. 7 is a right side view thereof; and,

FIG. 8 is an enlarged rear perspective view thereof.

**1 Claim, 4 Drawing Sheets**



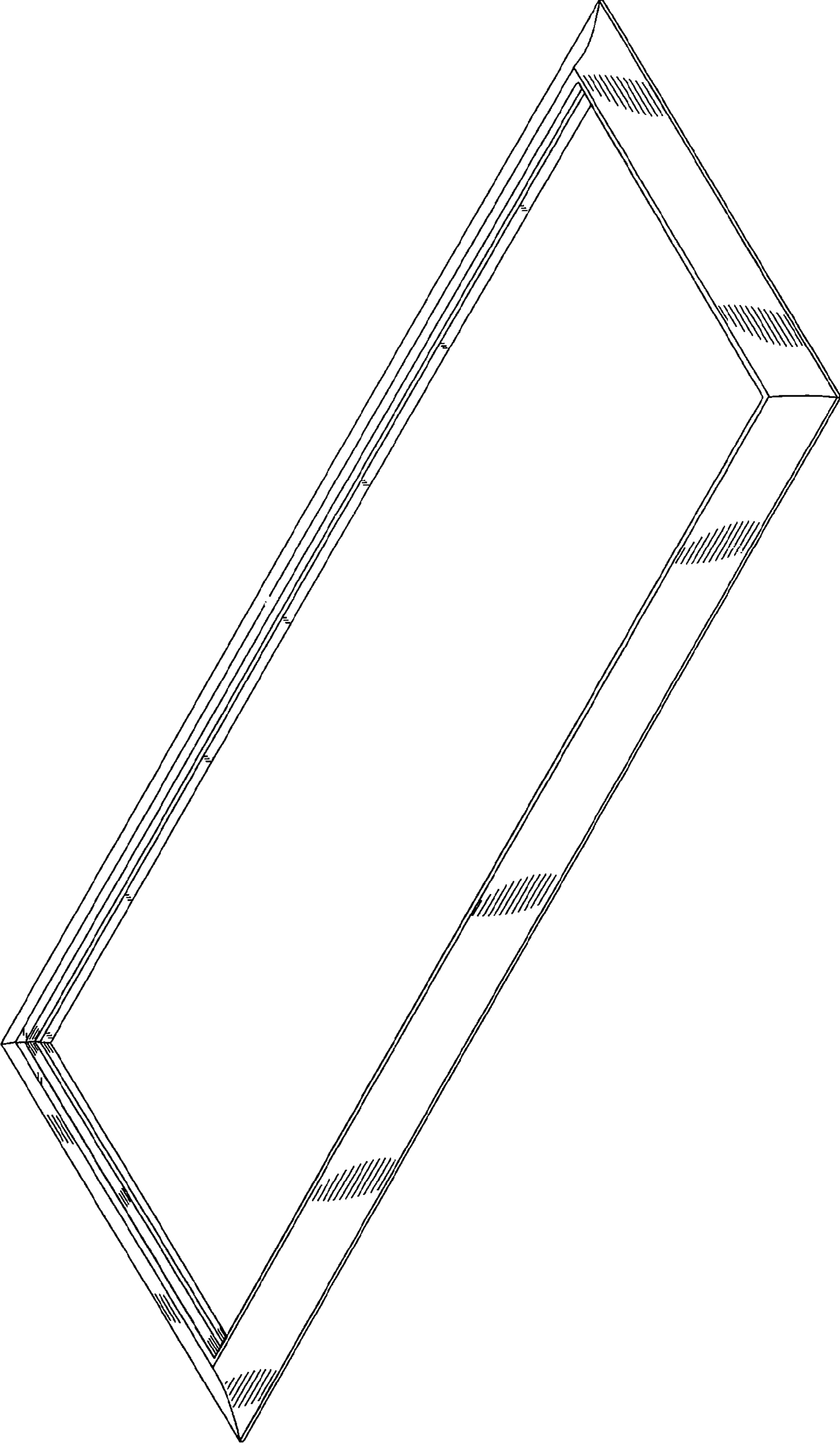


FIG. 1

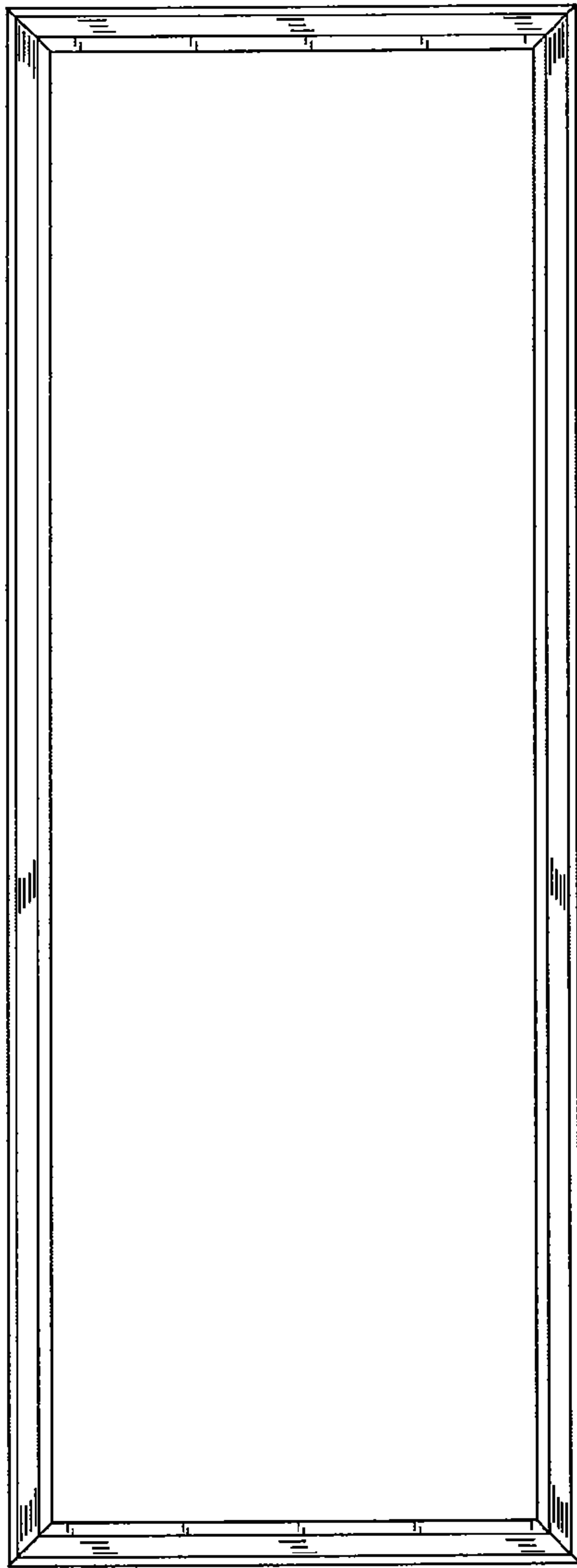


FIG. 2

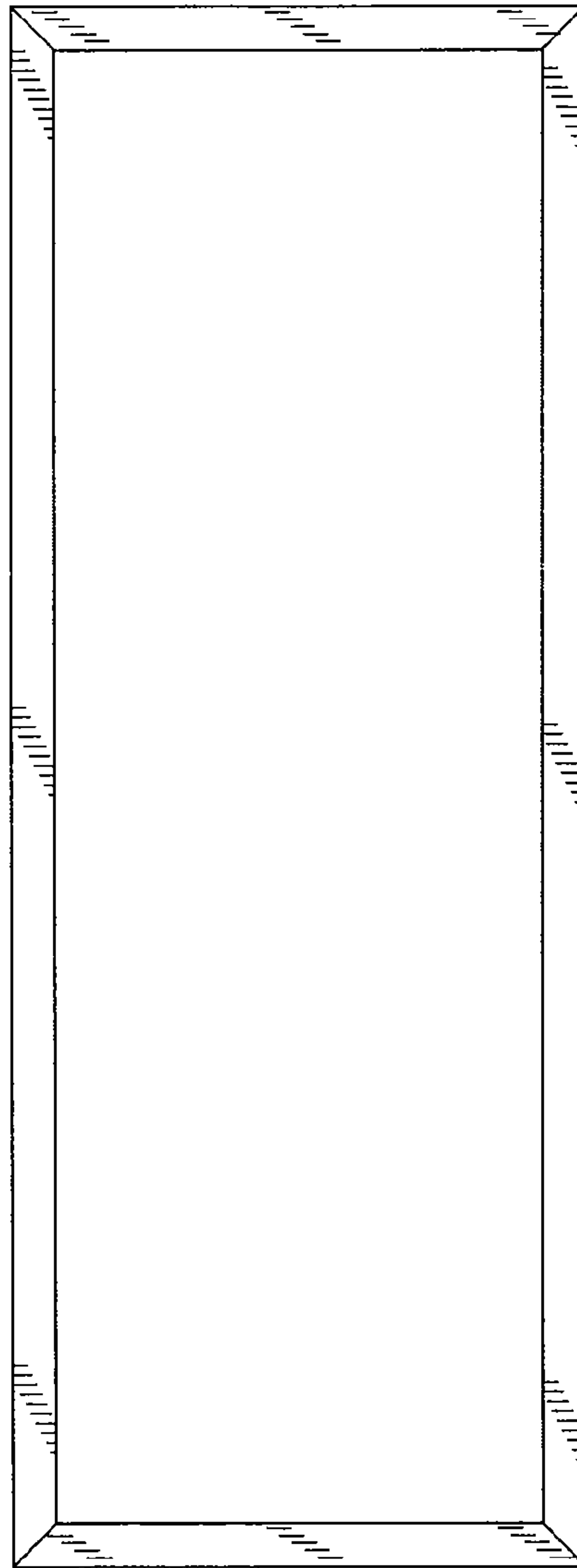


FIG. 3

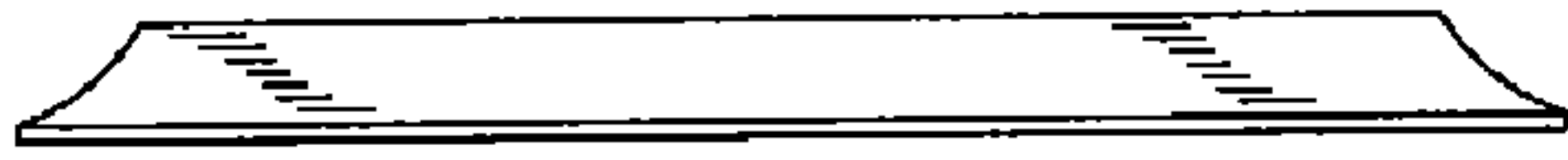


FIG. 4

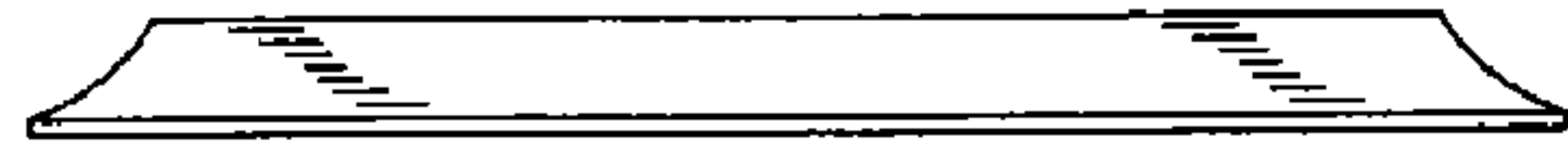


FIG. 5



FIG. 6



FIG. 7

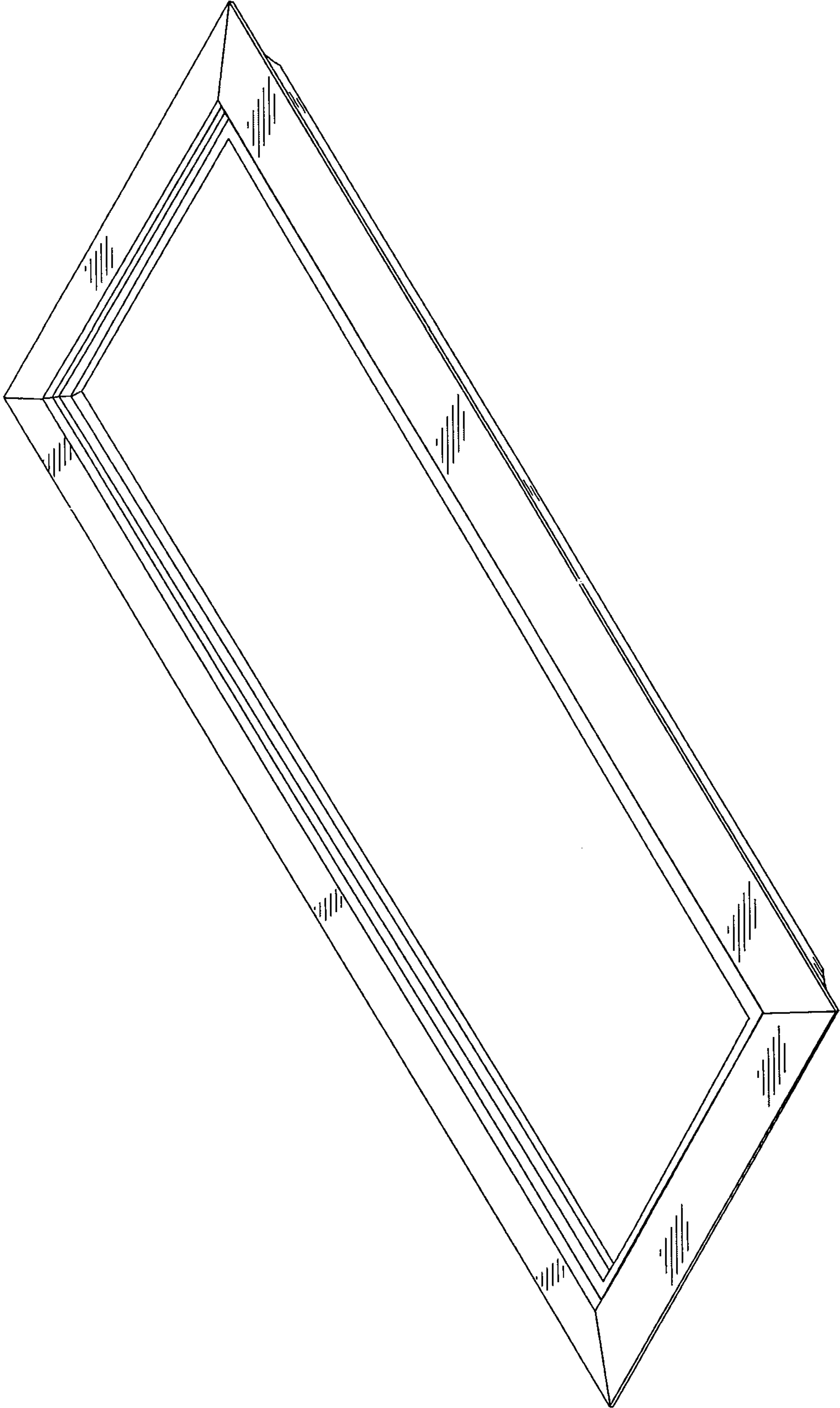


FIG. 8