

US00D560592S

(12) **United States Design Patent**
Brassard

(10) **Patent No.:** **US D560,592 S**
(45) **Date of Patent:** **** Jan. 29, 2008**

(54) **LOW-PROFILE, SELF-ADHESIVE VEHICLE
DASHBOARD MOUNT DEVICE HOLDER
WITH EASILY ADJUSTABLE AND
REMOVABLE PEDESTAL**

(76) Inventor: **Paul Brassard**, 20 La Porte St.,
Arcadia, CA (US) 91006

(**) Term: **14 Years**

(21) Appl. No.: **29/284,097**

(22) Filed: **Aug. 30, 2007**

(51) **LOC (8) Cl.** **12-16**

(52) **U.S. Cl.** **D12/415; D8/373**

(58) **Field of Classification Search** D12/400,
D12/415; D14/447, 434, 251, 253; D8/71,
D8/373, 350, 355, 363; D6/512; 296/37.5,
296/37.12; 224/273, 929, 545-548; 379/454,
379/455; 248/284.1, 346, 548, 483, 185,
248/917, 278, 923, 518, 519, 274.1, 205.5,
248/206.2

See application file for complete search history.

(56) **References Cited**

U.S. PATENT DOCUMENTS

625,917	A *	5/1899	Arnold	248/274.1
2,481,271	A *	9/1949	Willey	248/159
D231,195	S *	4/1974	Reynolds	D12/415
D248,636	S *	7/1978	Stanley	D12/415
4,842,174	A *	6/1989	Sheppard et al.	224/548
D332,789	S *	1/1993	Rak	D12/415
D388,762	S *	1/1998	Nagy	D12/415
D398,796	S *	9/1998	Fauchald et al.	D6/512

D410,622	S *	6/1999	Richter	D12/425
D419,415	S *	1/2000	Richter	D8/71
6,113,047	A *	9/2000	Wung et al.	248/284.1
D487,270	S *	3/2004	Richter	D14/447
6,749,160	B1 *	6/2004	Richter	248/206.2
D522,843	S *	6/2006	Richter	D8/363
D530,333	S *	10/2006	Richter	D14/447
D533,053	S *	12/2006	Brassard	D8/373
D533,054	S *	12/2006	Brassard	D8/373
D533,055	S *	12/2006	Brassard	D8/373
D533,174	S *	12/2006	Richter	D14/251
D543,439	S *	5/2007	Brassard	D8/363
7,226,026	B2 *	6/2007	Lin	248/205.5
7,229,059	B1 *	6/2007	Hood	248/518
2004/0155164	A1 *	8/2004	Richter	248/274.1

* cited by examiner

Primary Examiner—Stacia Cadmus

(74) *Attorney, Agent, or Firm*—Christie, Parker & Hale LLP.

(57) **CLAIM**

The ornamental design for low profile, self-adhesive vehicle dashboard mount device holder with easily adjustable and removable pedestal, as shown and described.

DESCRIPTION

FIG. 1 is a perspective view;
FIG. 2 is a right side view, left is a mirror image thereof;
FIG. 2 is a front side view;
FIG. 4 is a back view; and,
FIG. 5 is a top view of my new design.

1 Claim, 5 Drawing Sheets

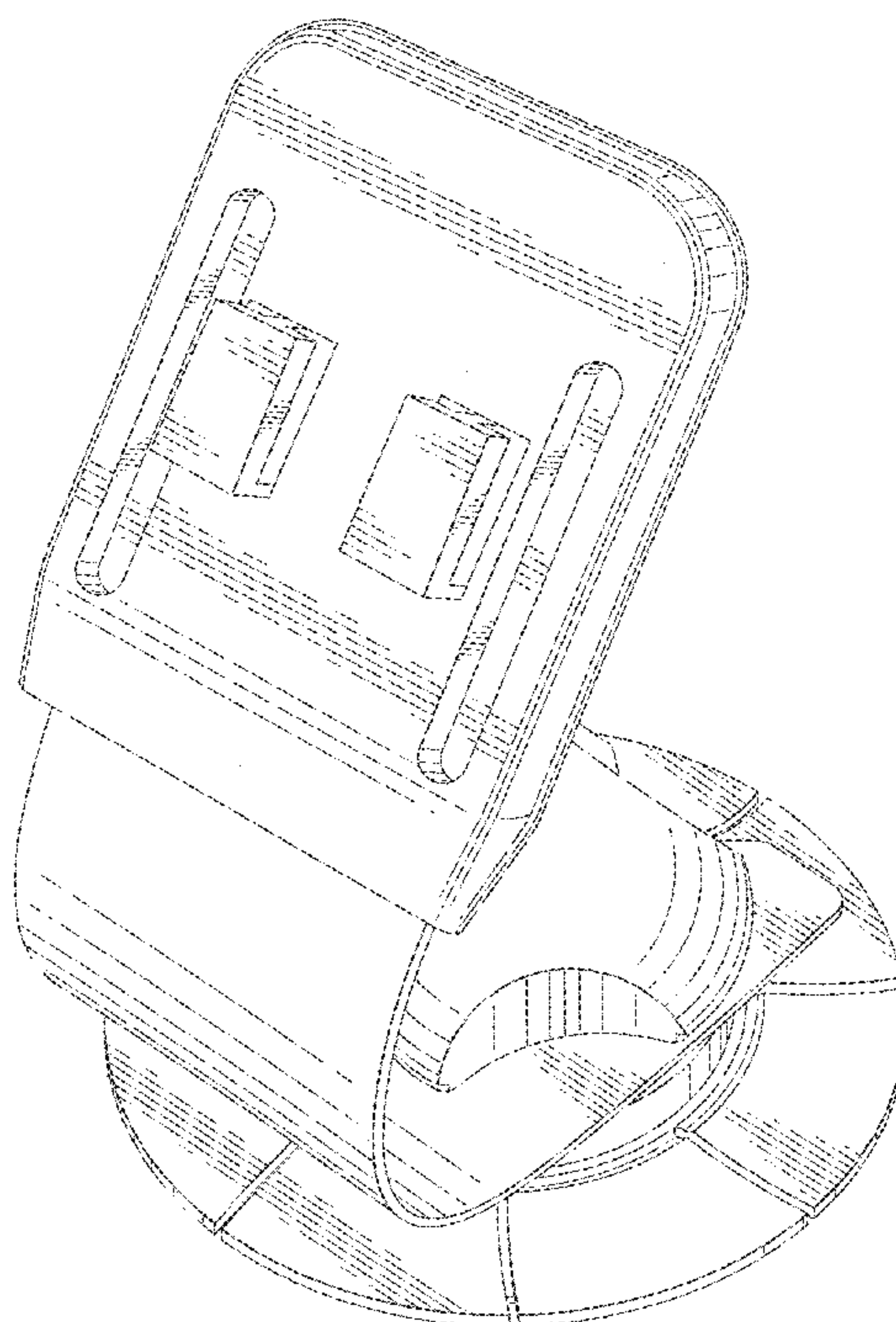


FIG. 1

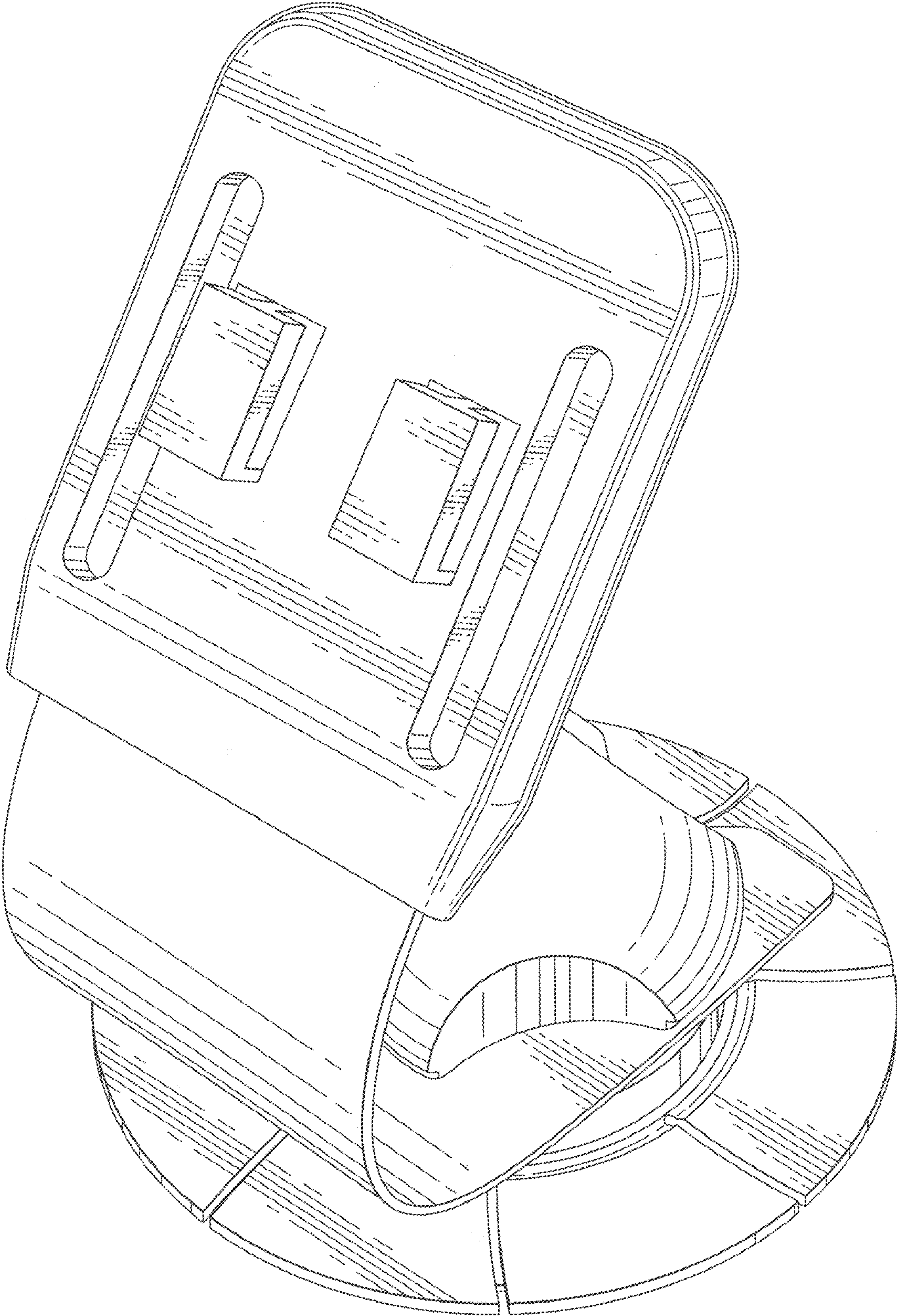


FIG. 2

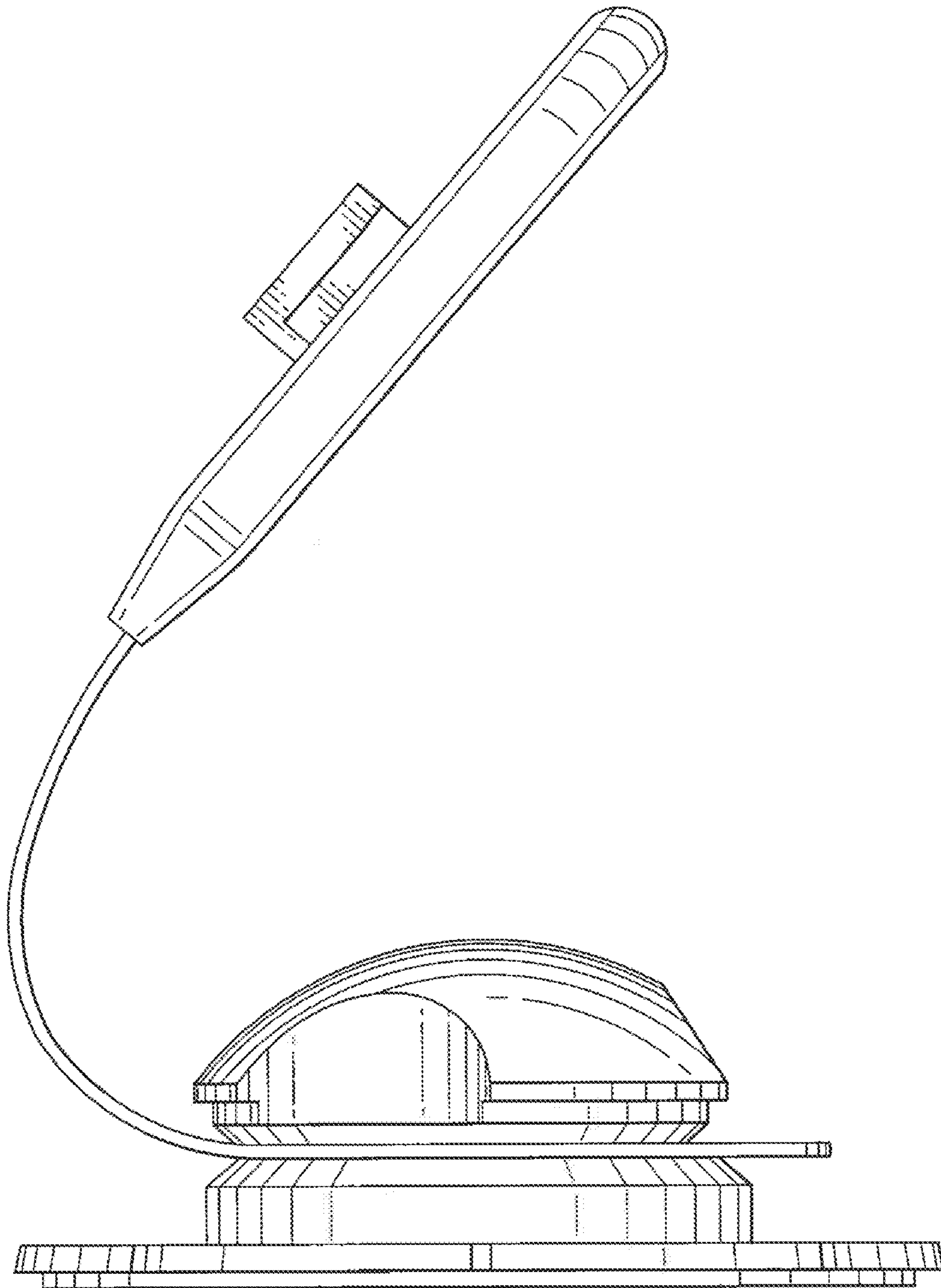


FIG. 3

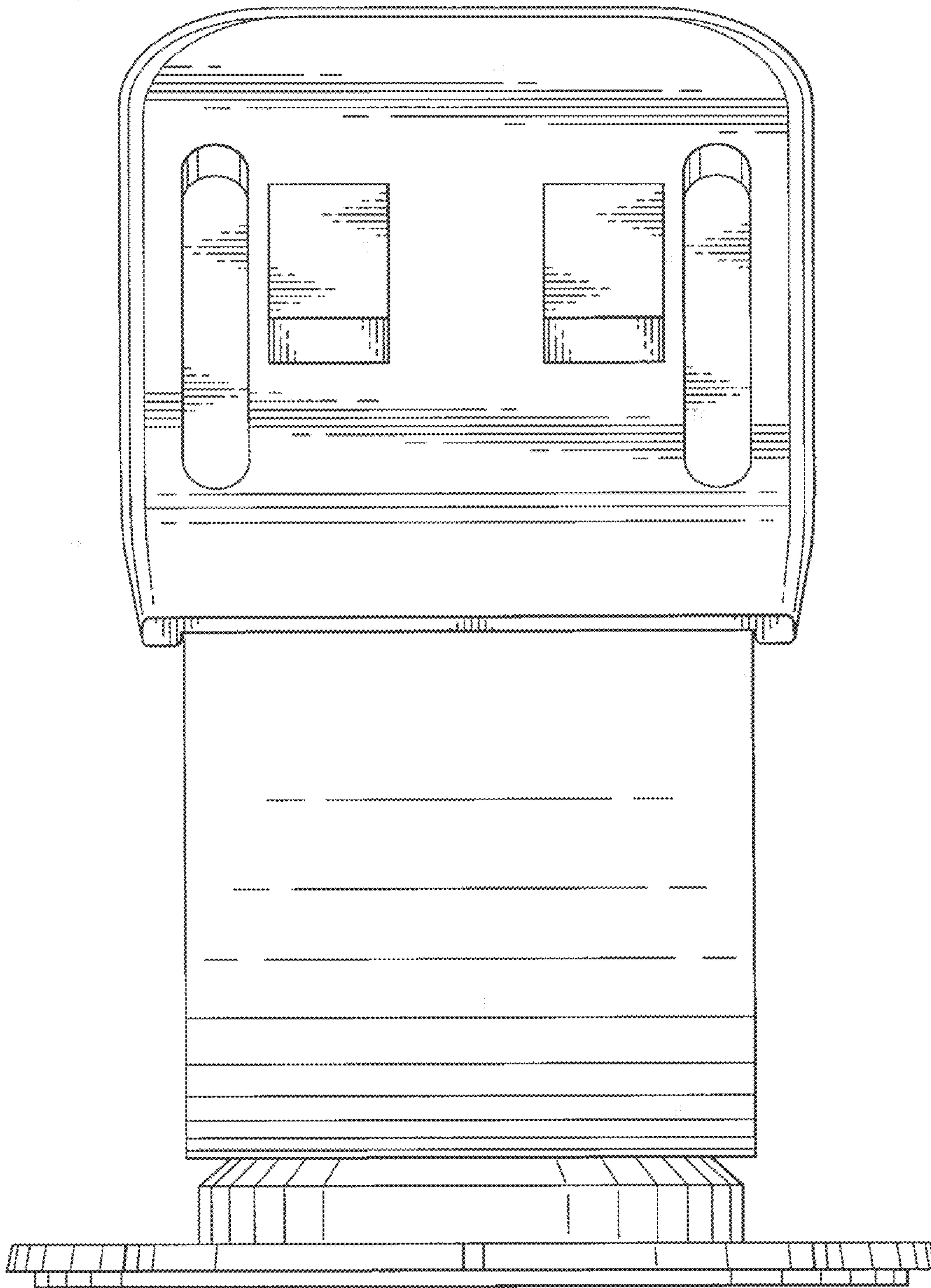


FIG. 4

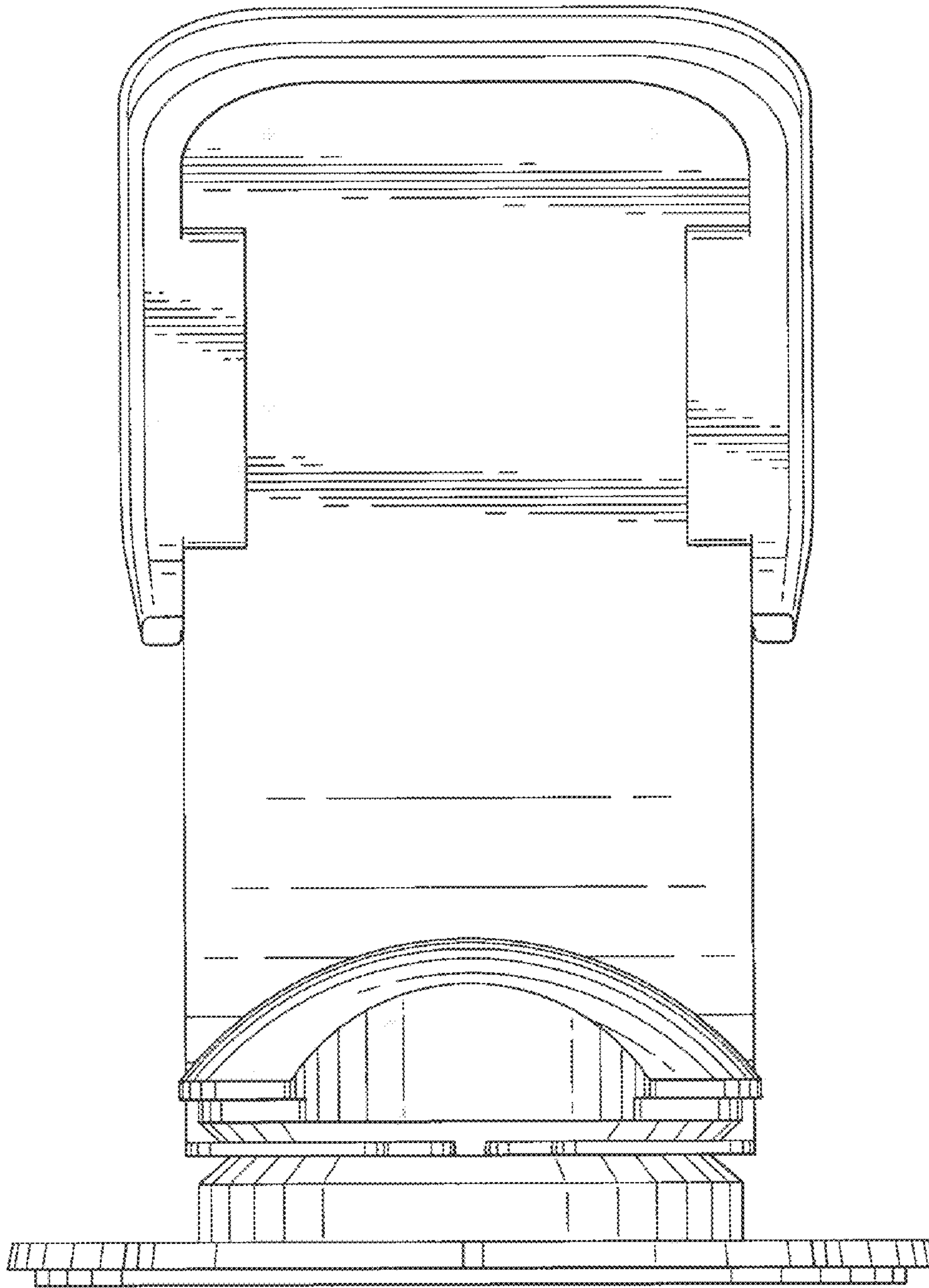
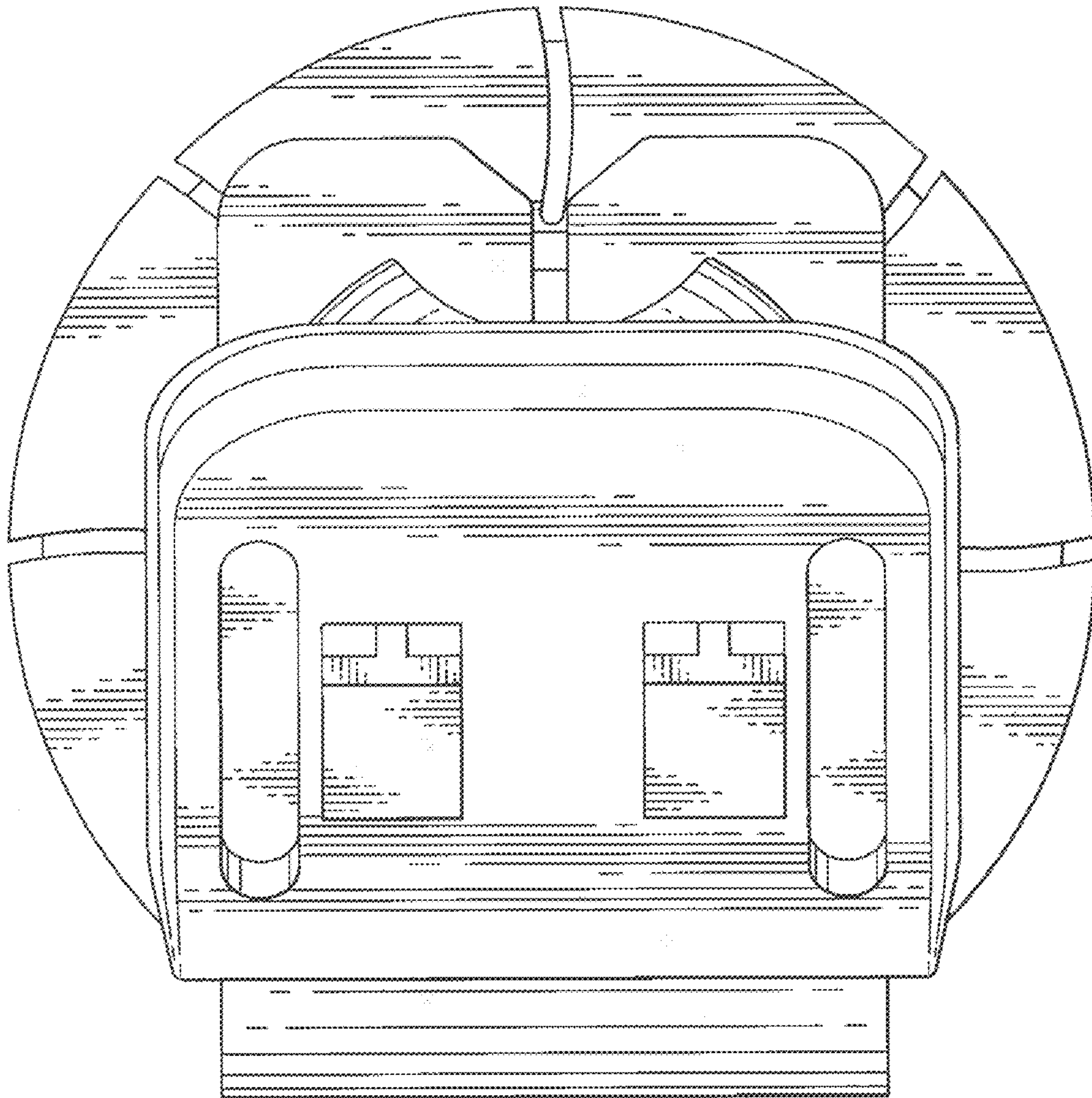


FIG. 5



UNITED STATES PATENT AND TRADEMARK OFFICE
CERTIFICATE OF CORRECTION

PATENT NO. : Des. 560,592 S
APPLICATION NO. : 29/284097
DATED : January 29, 2008
INVENTOR(S) : Paul Brassard

Page 1 of 1

It is certified that error appears in the above-identified patent and that said Letters Patent is hereby corrected as shown below:

On the Title Page

Description, line 3

Remove "FIG. 2 is a front",
Insert --FIG. 3 is a front--

Signed and Sealed this

Twenty-fourth Day of June, 2008



JON W. DUDAS

Director of the United States Patent and Trademark Office