

US00D560591S

(12) **United States Design Patent**
Hutchinson

(10) **Patent No.:** **US D560,591 S**
(45) **Date of Patent:** **** Jan. 29, 2008**

(54) **SPOT WELDED STAINLESS STEEL
AIRCRAFT FIREWALL FIRE CONDUIT**

(75) Inventor: **Harold D. Hutchinson**, Oxnard, CA
(US)

(73) Assignee: **EPM.AV Corporation**, Oxnard, CA
(US)

(**) Term: **14 Years**

(21) Appl. No.: **29/204,183**

(22) Filed: **Apr. 26, 2004**

Related U.S. Application Data

(60) Division of application No. 29/177,205, filed on Mar. 4, 2003, now Pat. No. Des. 493,412, which is a continuation-in-part of application No. 29/172,814, filed on Dec. 17, 2002, now abandoned.

(51) **LOC (8) Cl.** **12-07**

(52) **U.S. Cl.** **D12/345**

(58) **Field of Classification Search** D12/345;
244/23 D; 239/265.11; D32/31; D23/262,
D23/264, 393; 285/179, 179.1; 60/271
See application file for complete search history.

(56) **References Cited**

U.S. PATENT DOCUMENTS

D33,224 S * 9/1900 Thompson D23/263

D258,002 S * 1/1981 Gallagher et al. D23/263
4,813,607 A * 3/1989 Hill et al. 239/265.29
D350,722 S * 9/1994 Figueroa D12/345
D353,655 S * 12/1994 Quinlan D23/262
5,799,986 A * 9/1998 Corbett et al. 285/55
6,086,116 A * 7/2000 Smahl 285/179
D501,442 S * 2/2005 Hutchinson D12/345
D523,123 S * 6/2006 Wilk et al. D23/262
7,093,862 B2 * 8/2006 Muto 285/322

* cited by examiner

Primary Examiner—Charles A. Rademaker

Assistant Examiner—Maurive Stevens

(74) *Attorney, Agent, or Firm*—Trojan Law Office

(57) **CLAIM**

The ornamental design for a spot welded stainless steel aircraft firewall fire conduit, as shown and described.

DESCRIPTION

FIG. 1 is a front elevational view of a spot welded stainless steel aircraft firewall fire conduit, showing my new design;

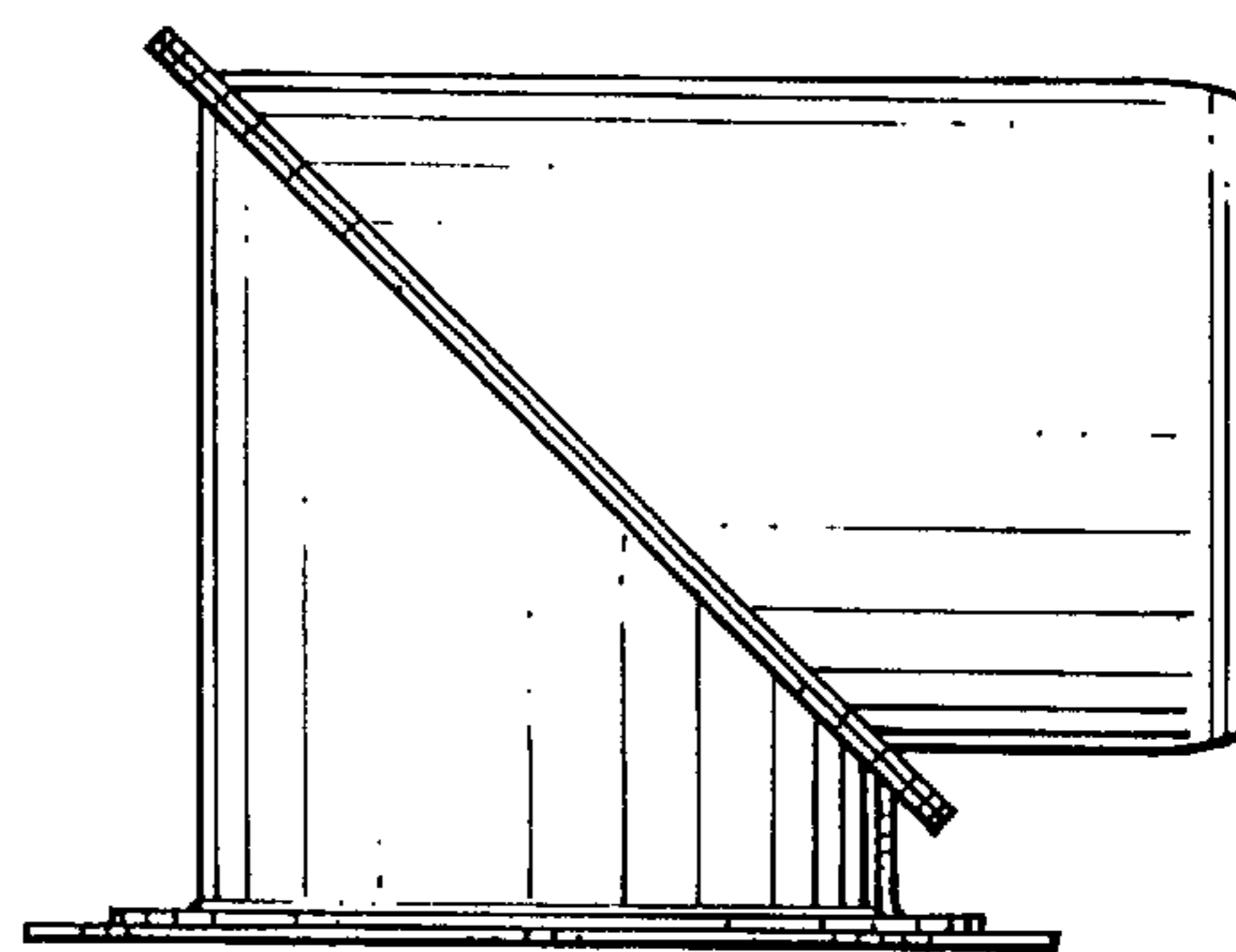
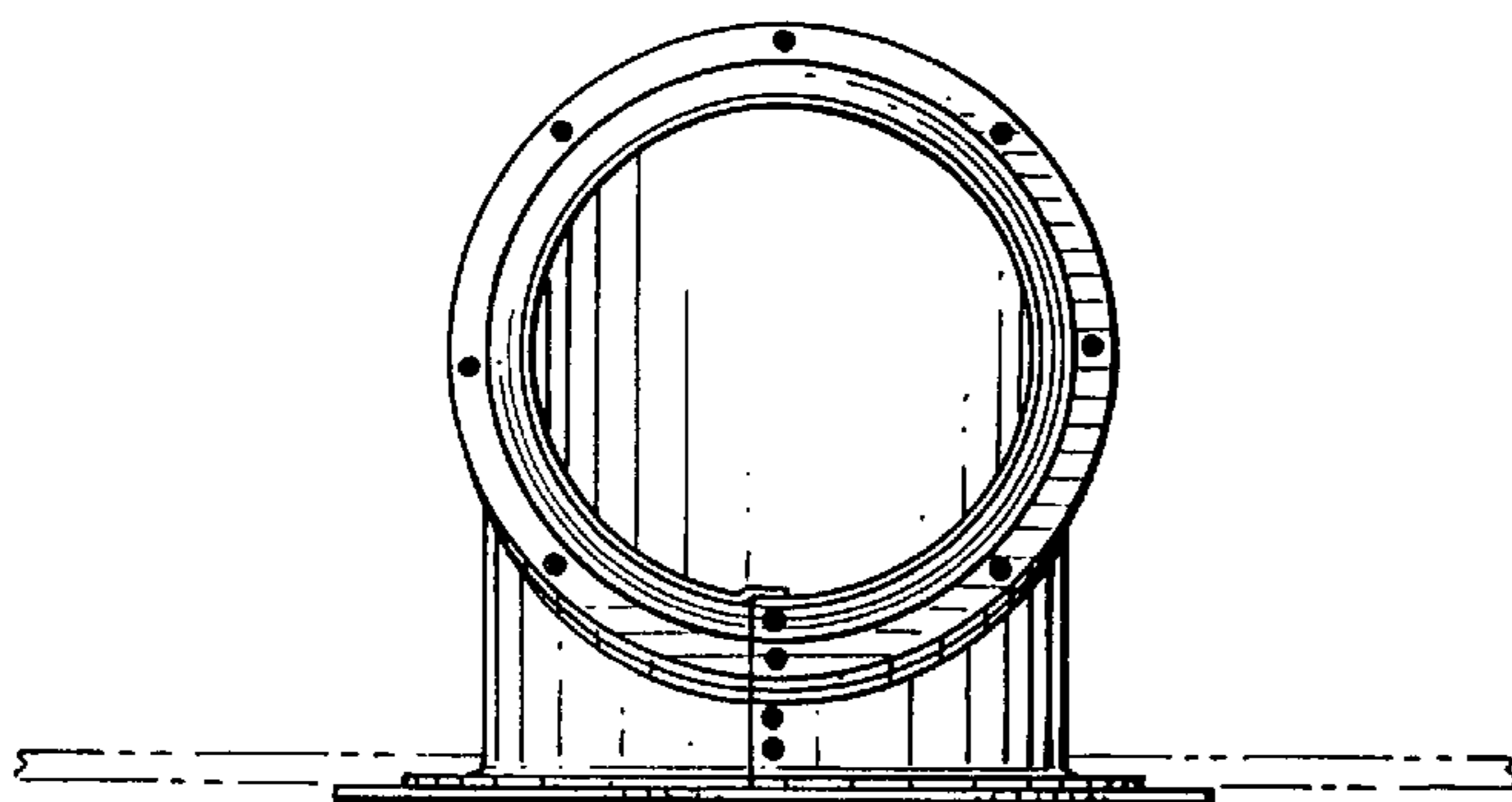
FIG. 2 is a left side elevational view thereof; the right side being a mirror image thereof;

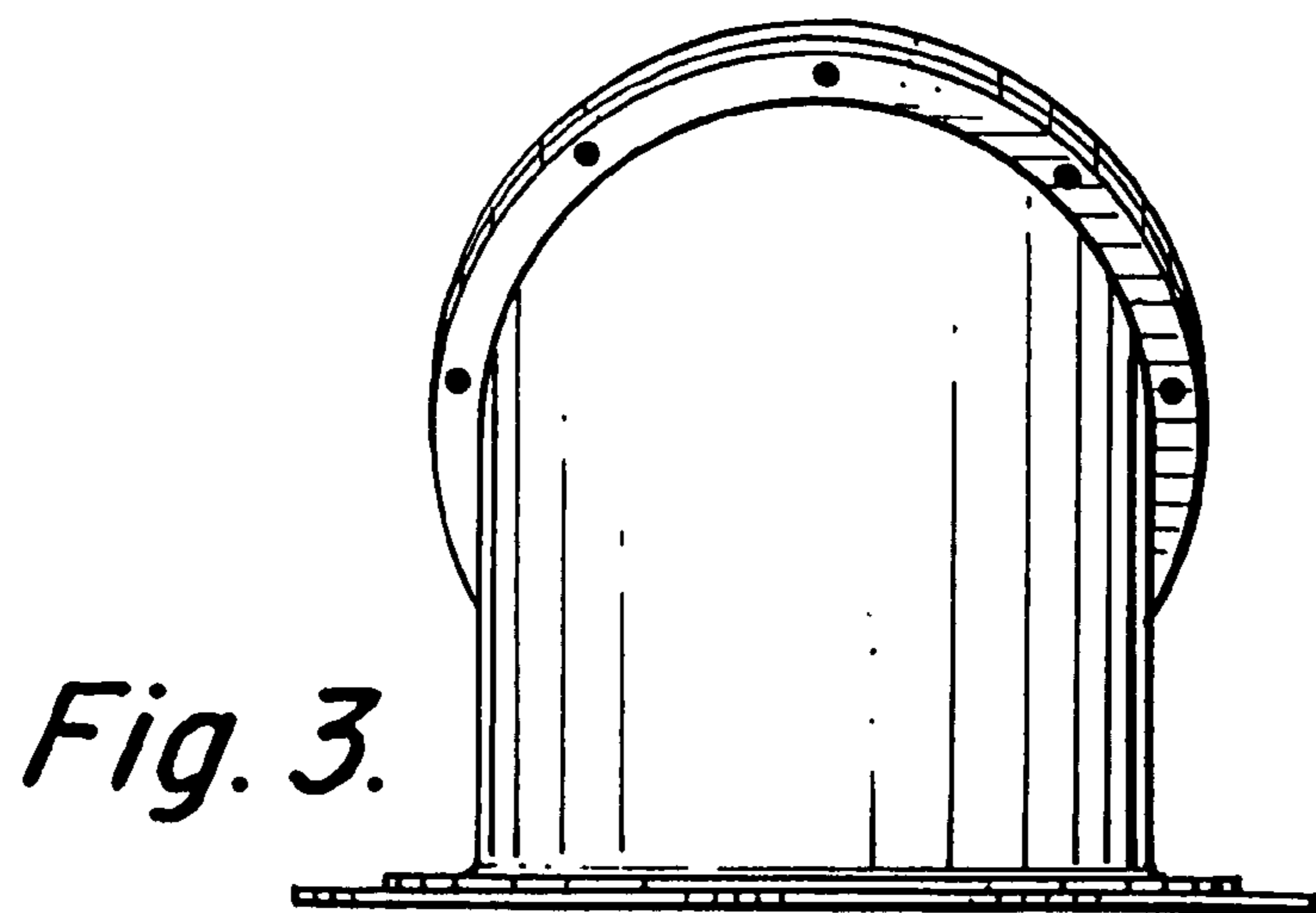
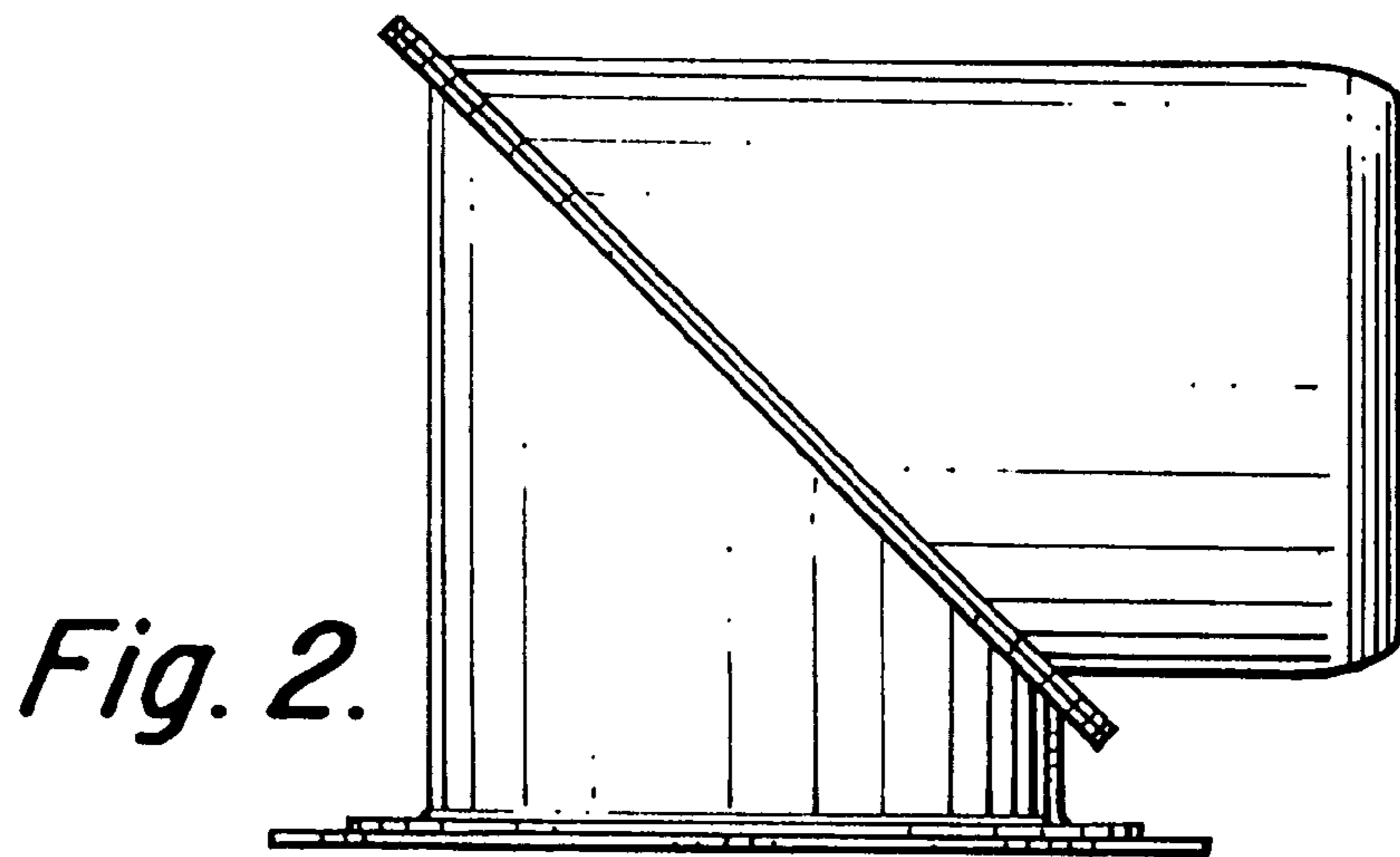
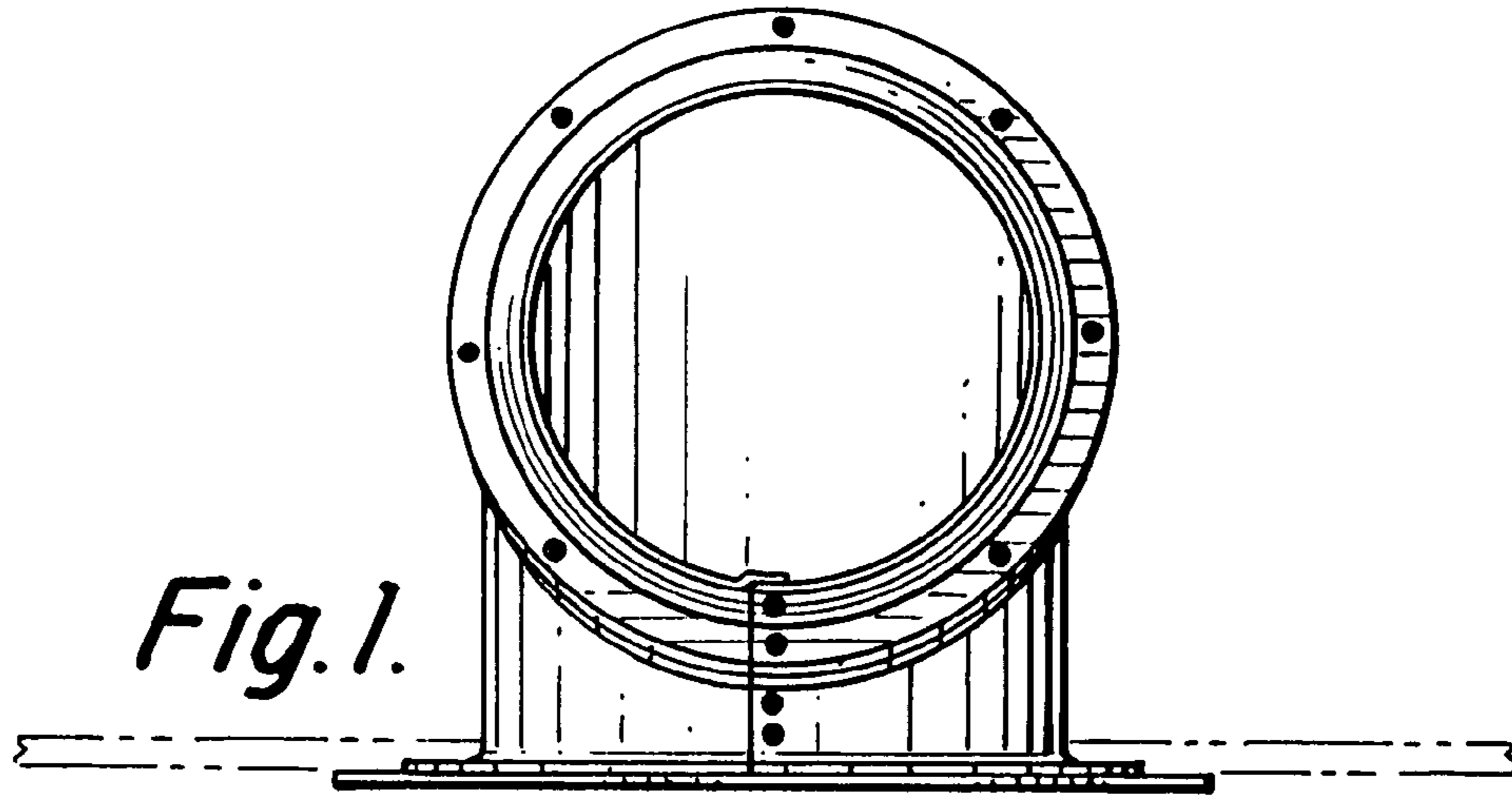
FIG. 3 is a rear elevational thereof;

FIG. 4 is a top plan view thereof; and,

FIG. 5 is a bottom plan view thereof.

1 Claim, 2 Drawing Sheets





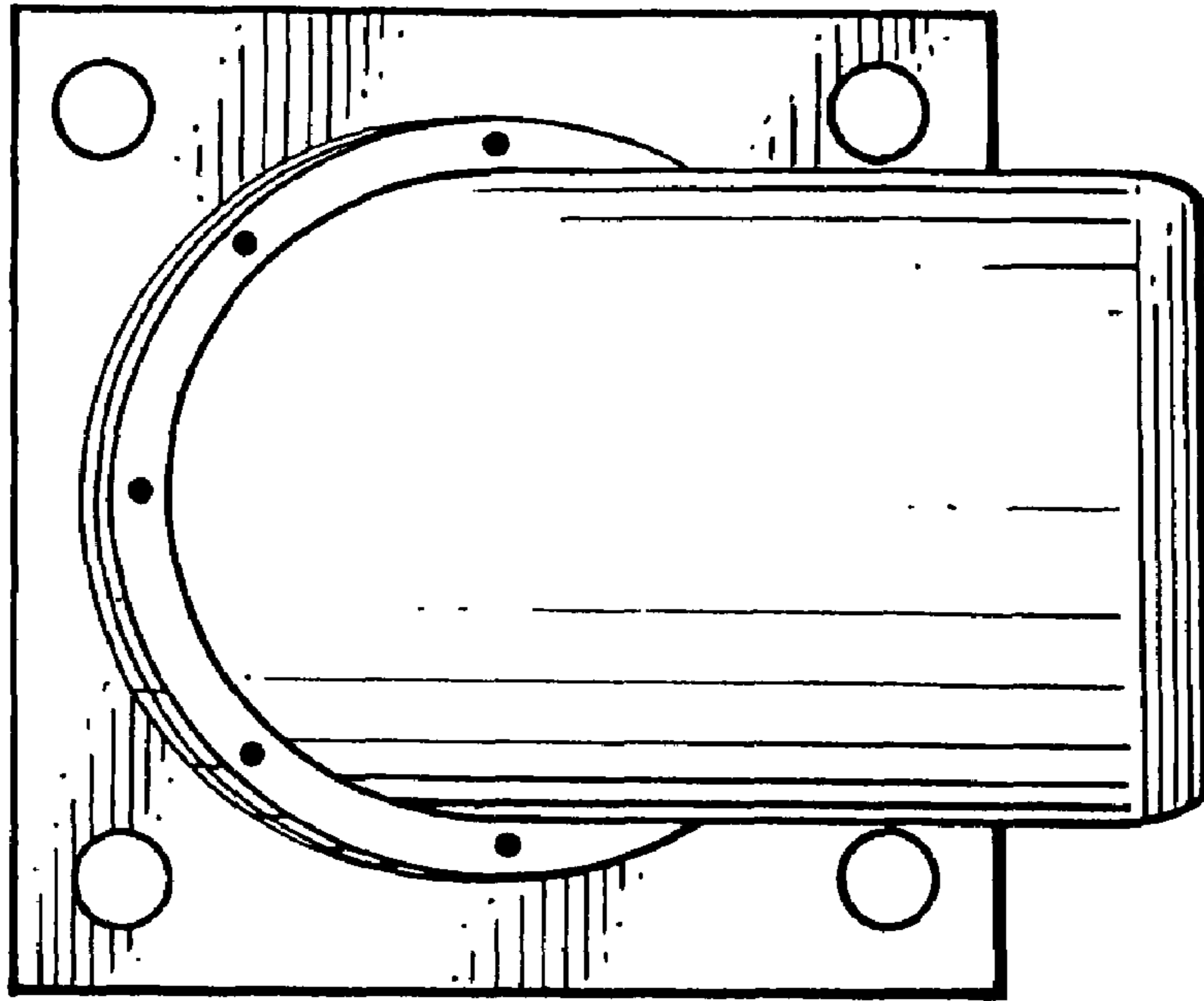


Fig. 4.

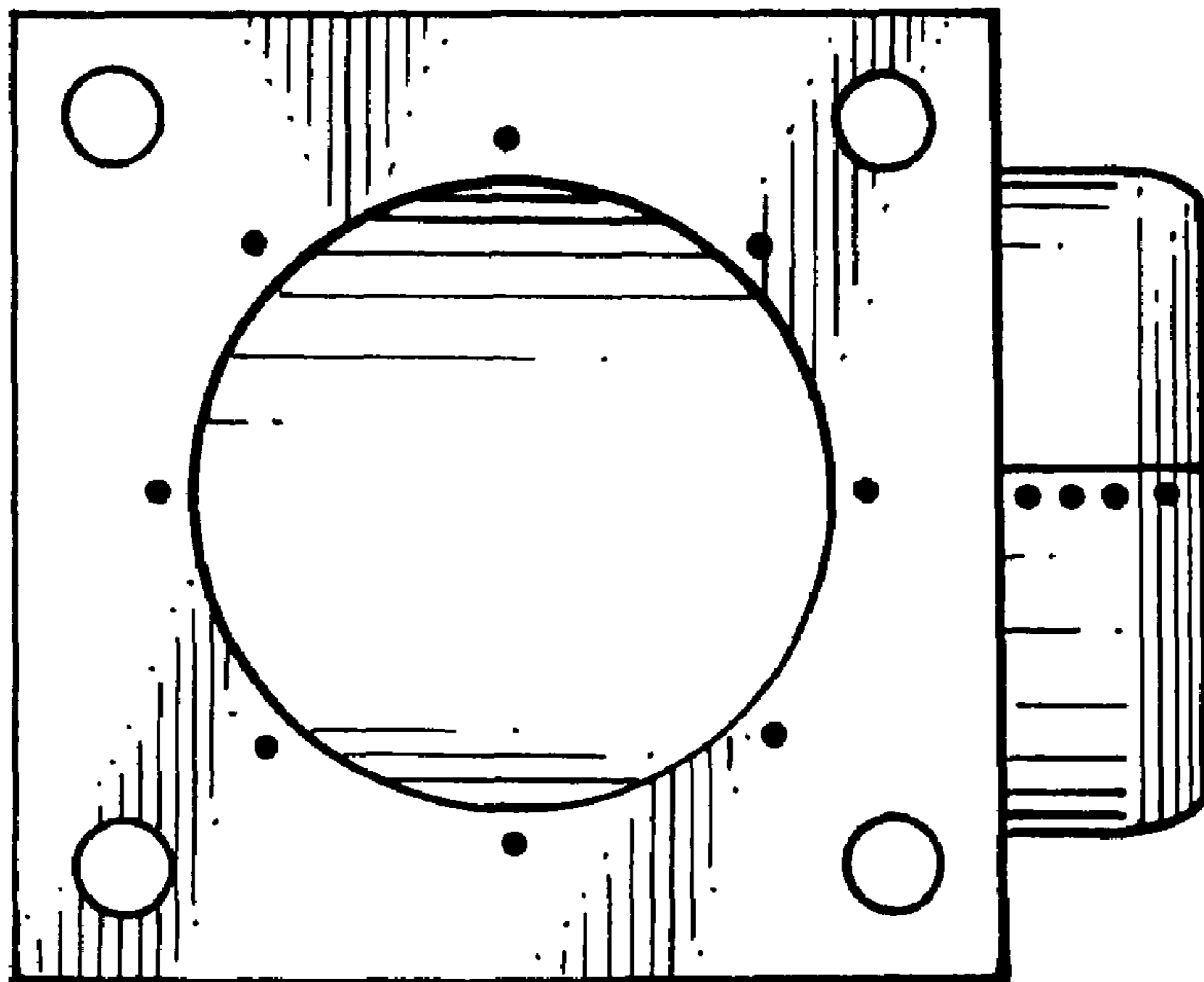


Fig. 5.