



US00D560587S

(12) **United States Design Patent**  
**Cheng**

(10) **Patent No.:** **US D560,587 S**

(45) **Date of Patent:** **\*\* Jan. 29, 2008**

(54) **WHEEL RIM**

(76) Inventor: **Dominic Carson Cheng**, 5224  
Southern Ave., South Gate, CA (US)  
90280

(\*\*) Term: **14 Years**

(21) Appl. No.: **29/272,620**

(22) Filed: **Feb. 13, 2007**

(51) **LOC (8) Cl.** ..... **12-16**

(52) **U.S. Cl.** ..... **D12/209**

(58) **Field of Classification Search** ..... D12/204-213;  
301/37.101, 64.101, 65

See application file for complete search history.

(56) **References Cited**

**U.S. PATENT DOCUMENTS**

- D368,464 S \* 4/1996 Morley et al. .... D12/209
- D438,503 S \* 3/2001 Syring ..... D12/211
- D480,036 S \* 9/2003 Laengerer ..... D12/211

- D497,583 S \* 10/2004 Walbey, Jr. .... D12/209
- D499,061 S \* 11/2004 Echazabal ..... D12/209
- D527,699 S \* 9/2006 Kiesel ..... D12/209
- D546,262 S \* 7/2007 Arora ..... D12/209
- D547,710 S \* 7/2007 Guevara ..... D12/209
- D548,166 S \* 8/2007 Young ..... D12/211

\* cited by examiner

*Primary Examiner*—Stacia Cadmus

(74) *Attorney, Agent, or Firm*—Raymond Y. Chan; David  
and Raymond Patent Group

(57) **CLAIM**

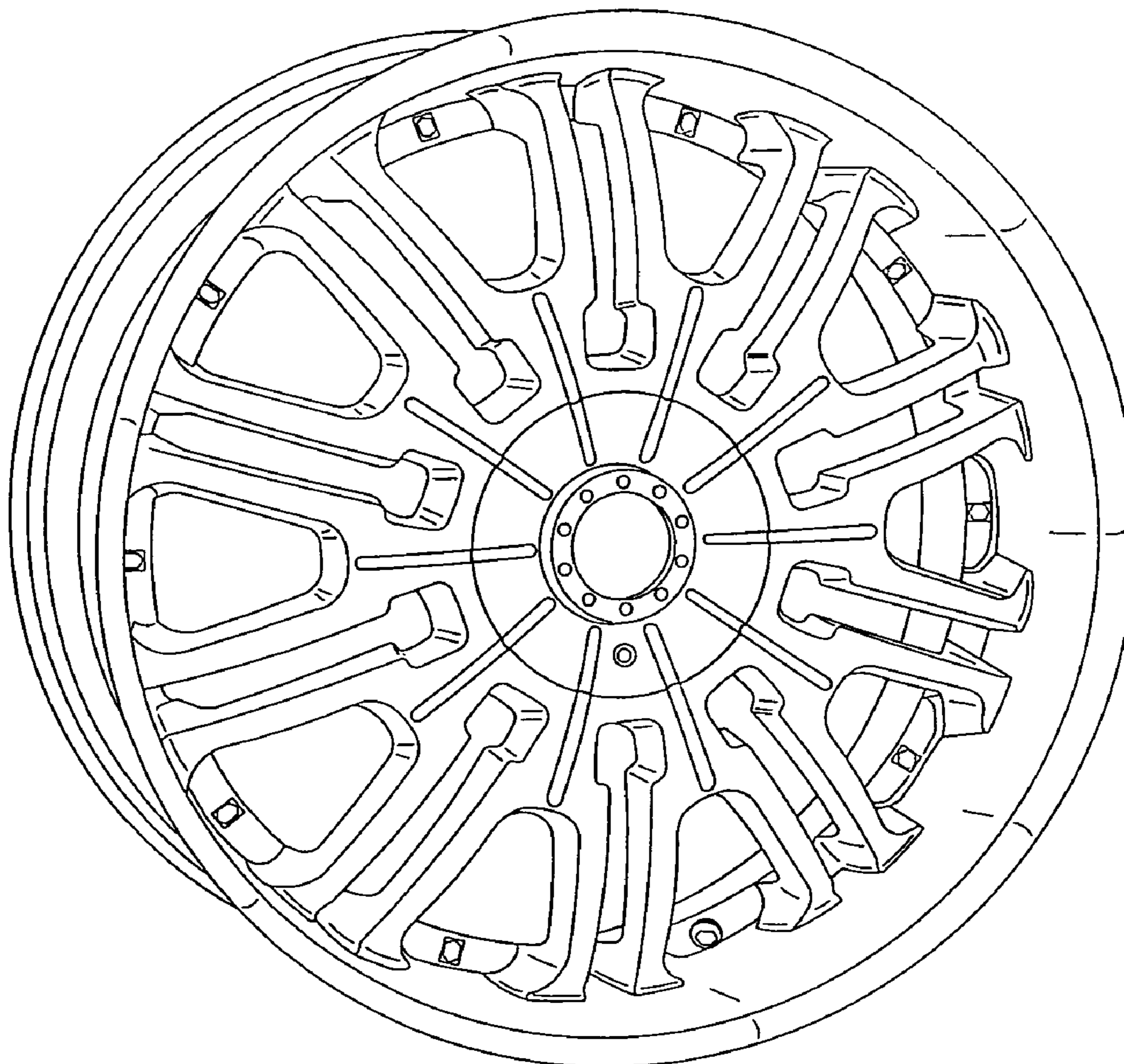
The ornamental design for a wheel rim, as shown and  
described.

**DESCRIPTION**

FIG. 1 is a perspective view of wheel rim showing my new  
design; and,

FIG. 2 is a front view thereof.

**1 Claim, 1 Drawing Sheet**



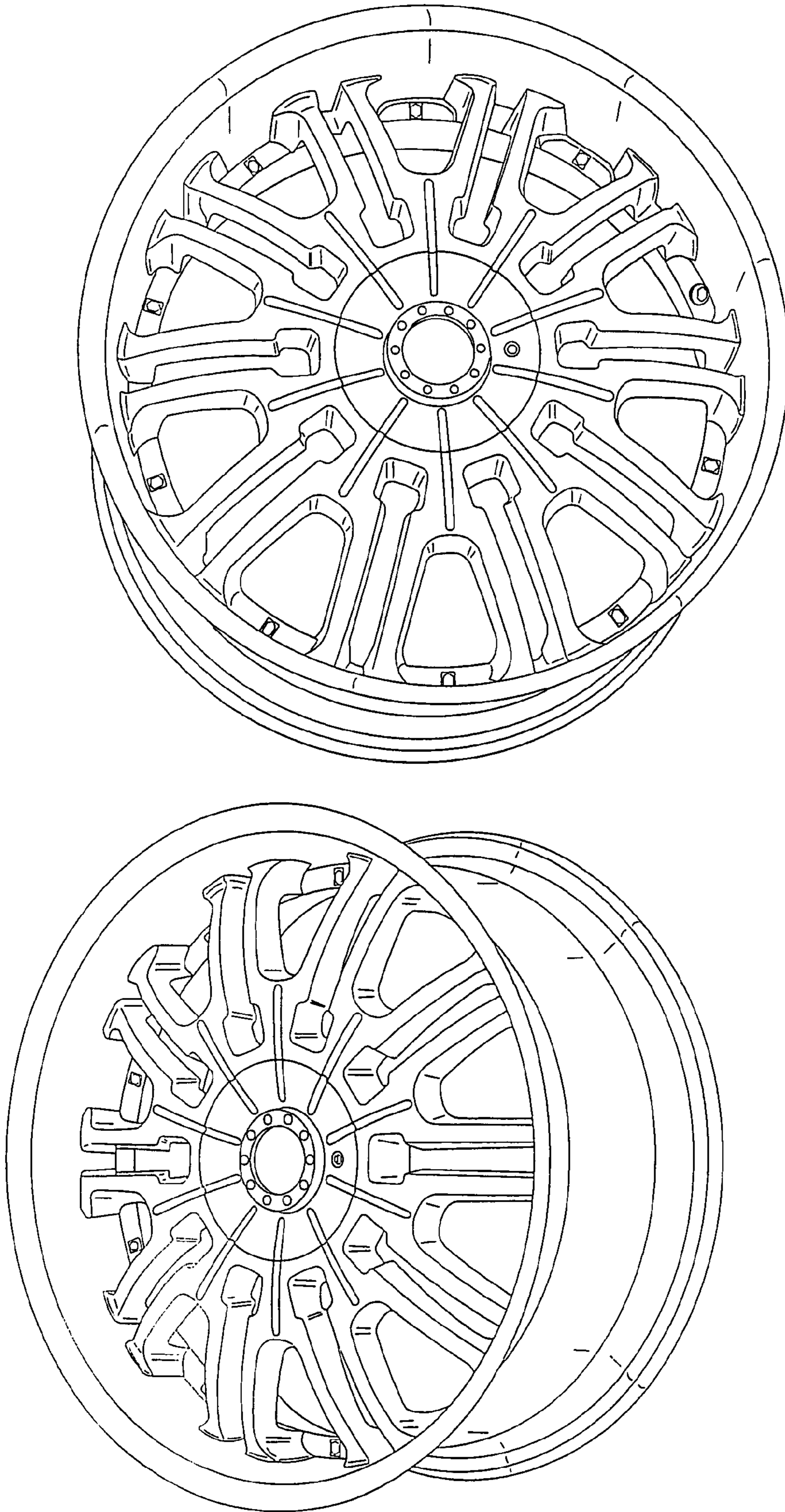


FIG. 1

FIG. 2