

US00D560585S

(12) **United States Design Patent**
Blasi

(10) **Patent No.:** **US D560,585 S**
(45) **Date of Patent:** **** Jan. 29, 2008**

(54) **FRONT FACE OF A VEHICLE WHEEL**

(75) Inventor: **Juliane Blasi**, Munich (DE)

(73) Assignee: **Bayerische Motoren Werke Aktiengesellschaft**, Munich (DE)

(**) Term: **14 Years**

(21) Appl. No.: **29/270,363**

(22) Filed: **Dec. 21, 2006**

(30) **Foreign Application Priority Data**

Jun. 22, 2006 (DE) 40603373

(51) **LOC (8) Cl.** **12-16**

(52) **U.S. Cl.** **D12/209**

(58) **Field of Classification Search** D12/204-213;
301/37.101, 64.101, 65, 64.201
See application file for complete search history.

(56) **References Cited**

U.S. PATENT DOCUMENTS

- D410,617 S * 6/1999 Hussaini et al. D12/209
- D412,480 S * 8/1999 Hussaini et al. D12/209
- D419,942 S 2/2000 Lampkin
- D451,461 S * 12/2001 Arellano D12/209

- D460,396 S * 7/2002 Kember et al. D12/209
- D466,467 S * 12/2002 Hodges D12/211
- D474,439 S * 5/2003 McMath D12/209
- D491,124 S 6/2004 Rice
- D496,318 S * 9/2004 Cheng D12/209
- D512,007 S * 11/2005 Sze D12/209
- D523,800 S * 6/2006 Sulahian D12/209
- D532,736 S * 11/2006 Ettensberger D12/209
- D533,495 S * 12/2006 Arora D12/209
- D539,720 S * 4/2007 Looho D12/209

* cited by examiner

Primary Examiner—Stacia Cadmus

(74) *Attorney, Agent, or Firm*—Crowell & Moring LLP

(57) **CLAIM**

The ornamental design for a front face of a vehicle wheel, as shown and described.

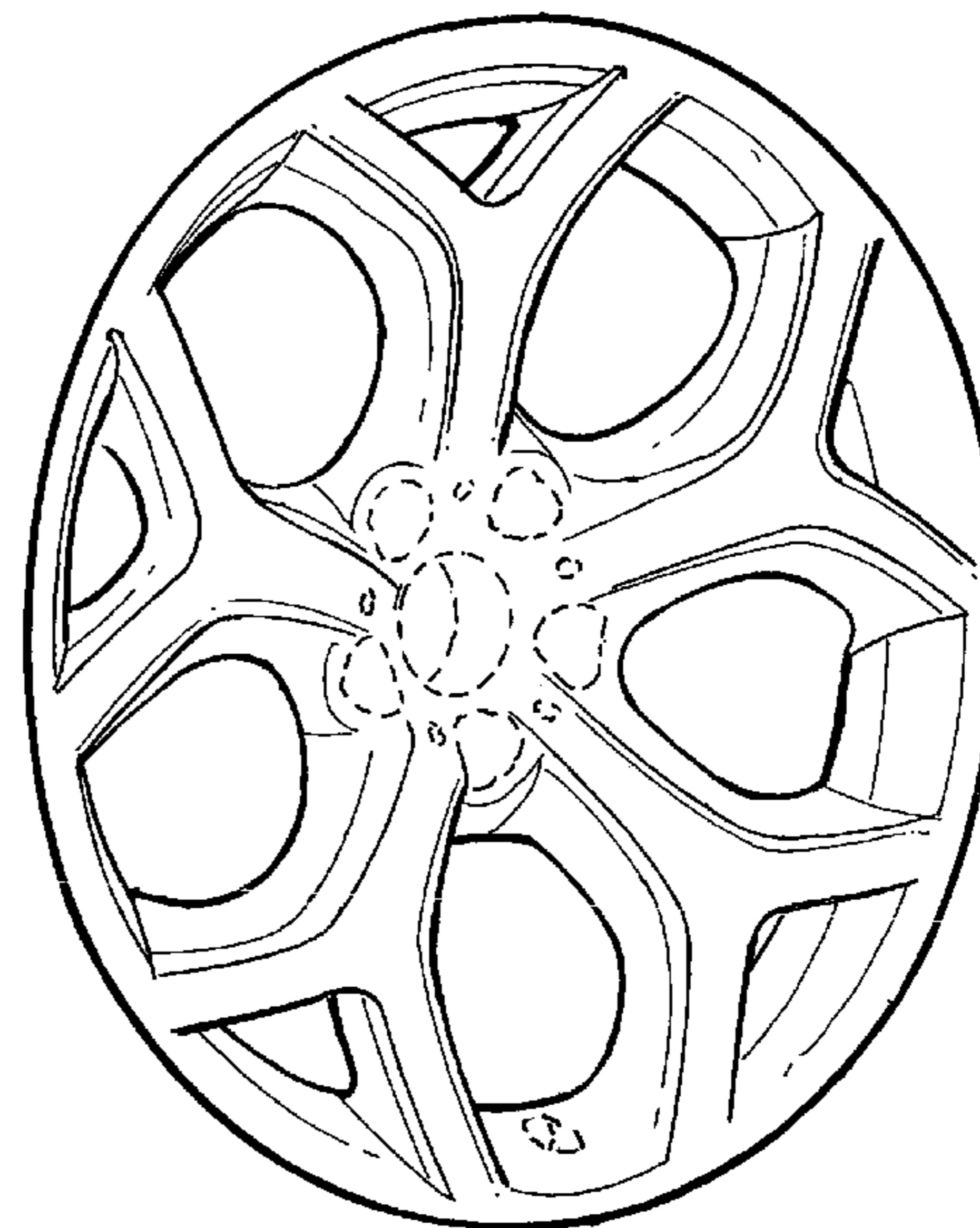
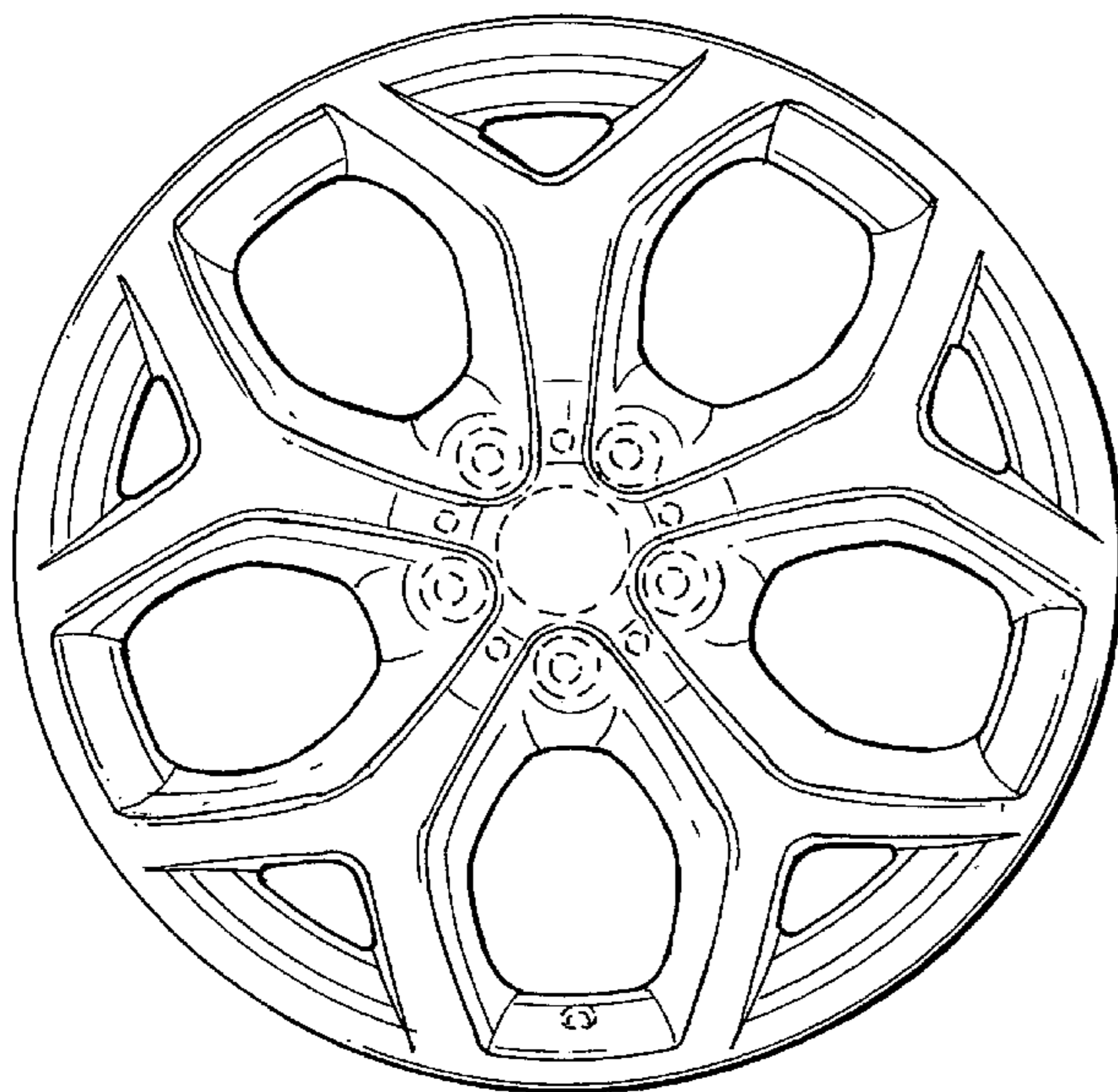
DESCRIPTION

FIG. 1 is a front view of a front face of a vehicle wheel according to my novel design; and,

FIG. 2 is a perspective view thereof.

The broken lines are for illustrative purposes only and form no part of the claimed design.

1 Claim, 1 Drawing Sheet



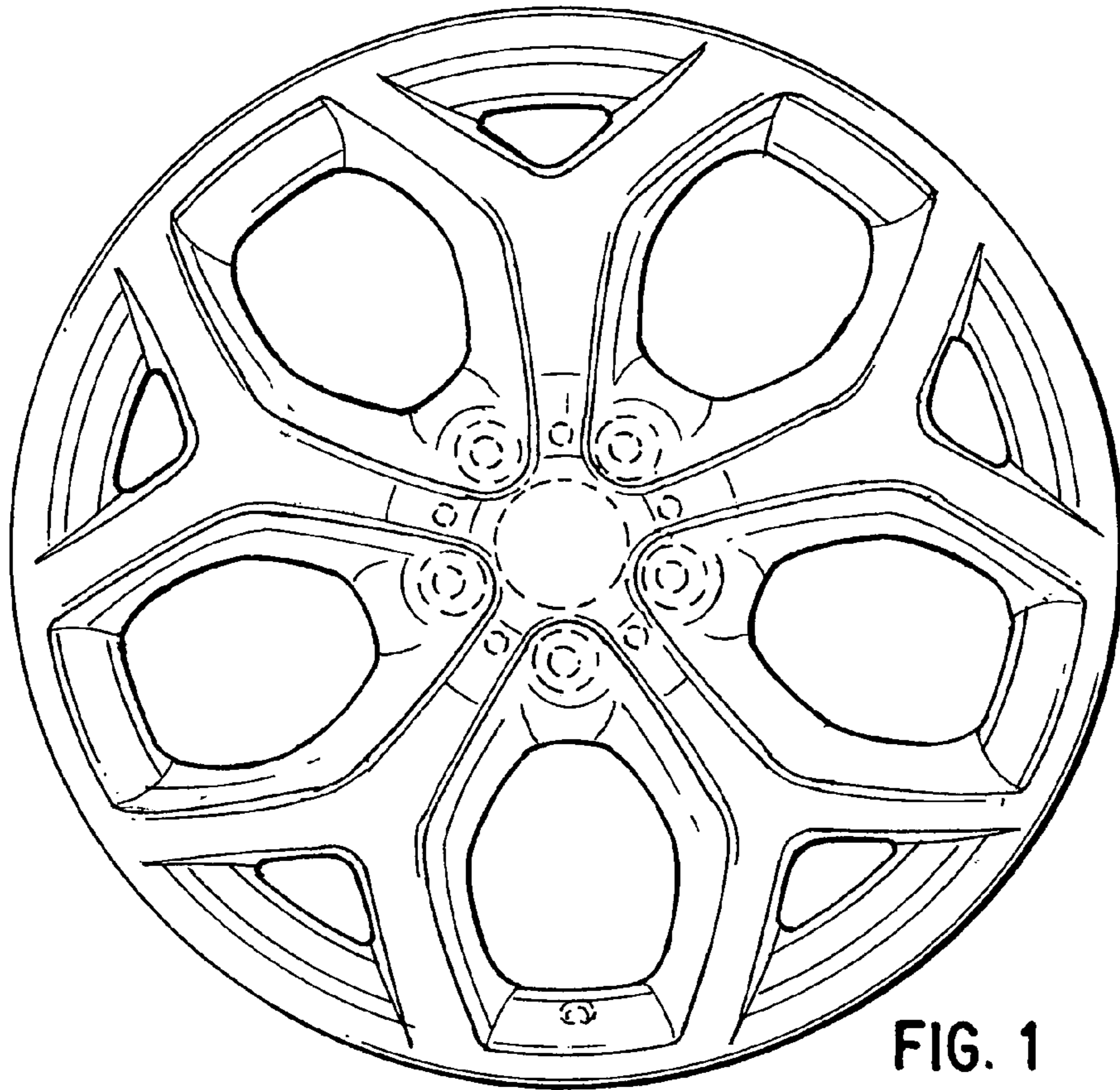


FIG. 1

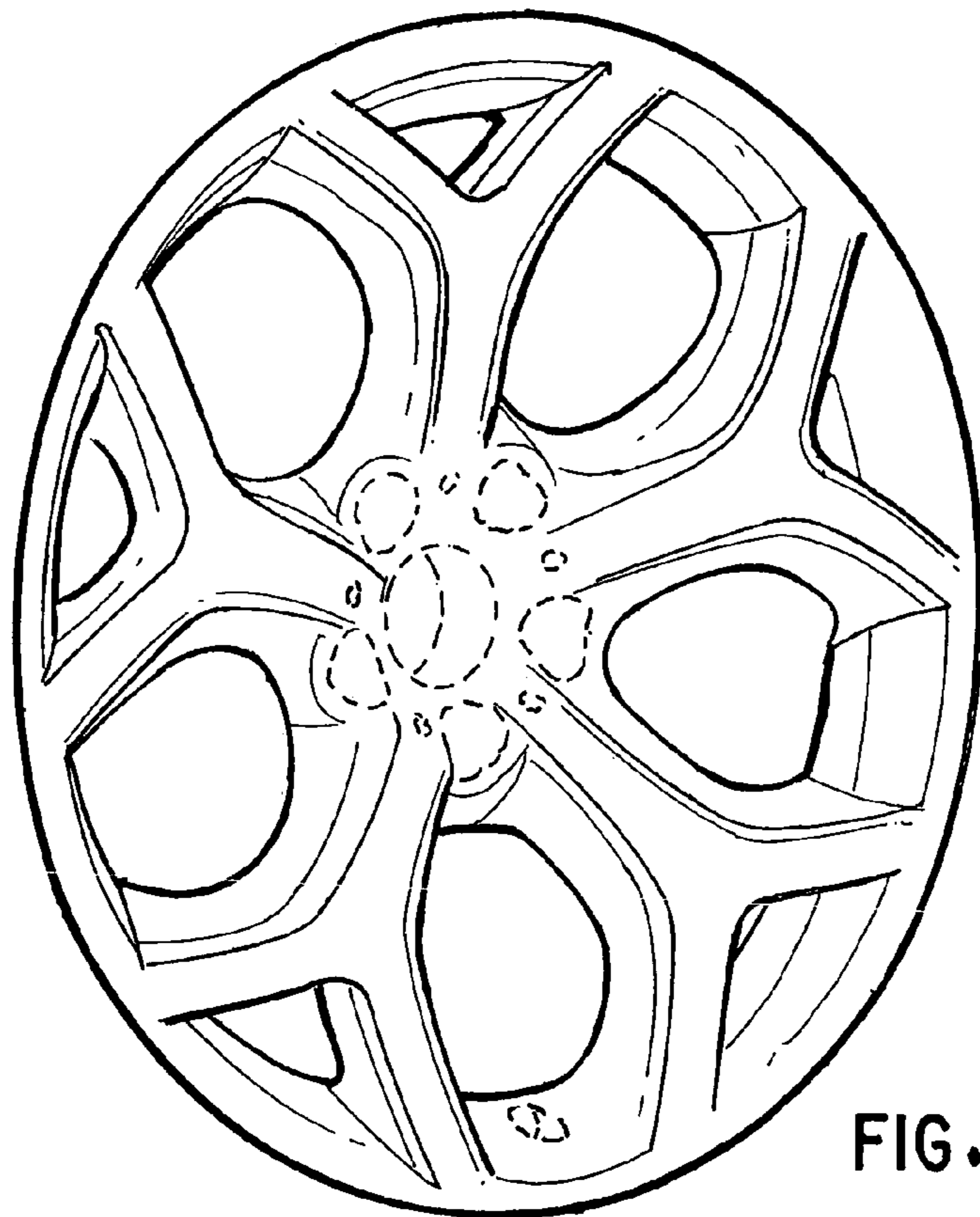


FIG. 2