

US00D560584S

(12) **United States Design Patent**
Tant et al.

(10) **Patent No.:** **US D560,584 S**
(45) **Date of Patent:** **** Jan. 29, 2008**

(54) **VEHICLE TAILGATE**

(75) Inventors: **Sean W Tant**, Livonia, MI (US);
George Bucher, Dearborn, MI (US);
Jeff Sanders, Allen Park, MI (US);
Michael Smith, Plymouth, MI (US)

(73) Assignee: **Ford Global Technologies, LLC**,
Dearborn, MI (US)

(**) Term: **14 Years**

(21) Appl. No.: **29/250,672**

(22) Filed: **Nov. 27, 2006**

(51) **LOC (8) Cl.** **12-16**

(52) **U.S. Cl.** **D12/196**

(58) **Field of Classification Search** D12/196,
D12/98, 93; 296/57.1, 3, 26, 50, 37.1, 37.6
See application file for complete search history.

(56) **References Cited**

U.S. PATENT DOCUMENTS

- D494,521 S * 8/2004 Metros et al. D12/196
- D494,910 S * 8/2004 Metros et al. D12/196
- D527,697 S * 9/2006 Metros et al. D12/196
- D541,719 S * 5/2007 McChesney et al. D12/196

OTHER PUBLICATIONS

- Ford F150 Lariat, Detroit 2006 (8 pages).
- Ford F150 King Ranch, Detroit 2004 (9 pages).

* cited by examiner

Primary Examiner—Melody N. Brown
(74) *Attorney, Agent, or Firm*—Damian Porcari

(57) **CLAIM**

The ornamental design for a vehicle tailgate, as shown and described.

DESCRIPTION

FIG. 1 is a front elevational view of a vehicle tailgate showing our new design;

FIG. 2 is an enlarged right side elevational view thereof;

FIG. 3 is an enlarged left side elevational view thereof;

FIG. 4 is a top plan view thereof;

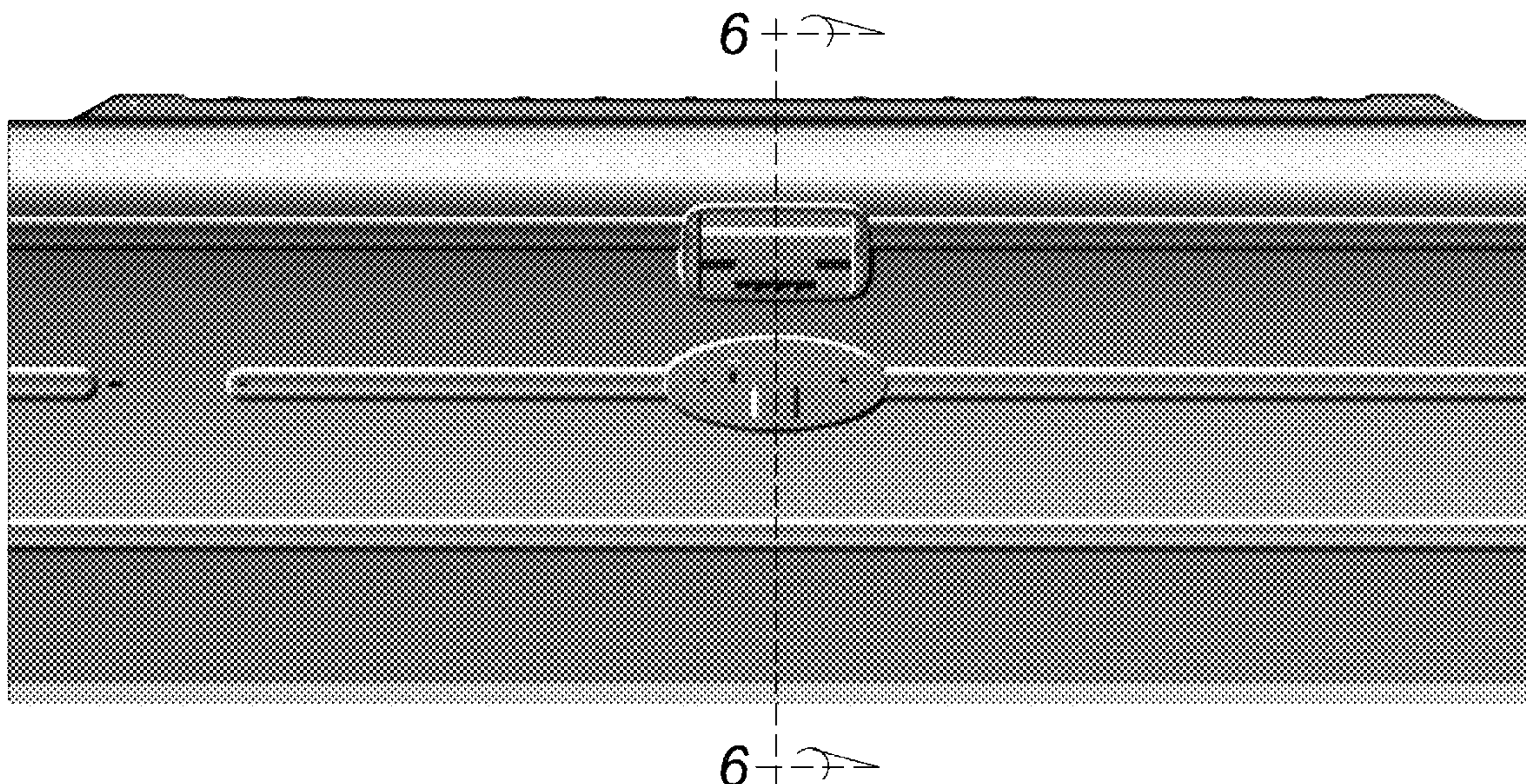
FIG. 5 is a bottom plan view thereof;

FIG. 6 is a cross sectional view taken along the line 6—6 in FIG. 1; and,

FIG. 7 is a rear elevational view thereof.

The vehicle tailgate is styled independently of adjacent vehicle panels. To the extent that any feature lines are illustrated, they are intended to illustrate the crest and valley of the feature and are not necessarily sharp bends in the part. The various views are not necessarily to scale to better illustrate detail. Shading is used to illustrate the curvature of the part and not color. Areas shown in or sounded by broken lines are not claimed. The surface normally visible when the vehicle tailgate is attached to a vehicle is called the “Class A” surface and is claimed. The surface not normally visible when the vehicle tailgate is attached to a vehicle is called the “Class B” surface and is not claimed. Any functional features of the vehicle tailgate are not claimed. Views are orthogonal projections unless otherwise noted. The drawings were created using Computer Aided Design (CAD) software.

1 Claim, 6 Drawing Sheets



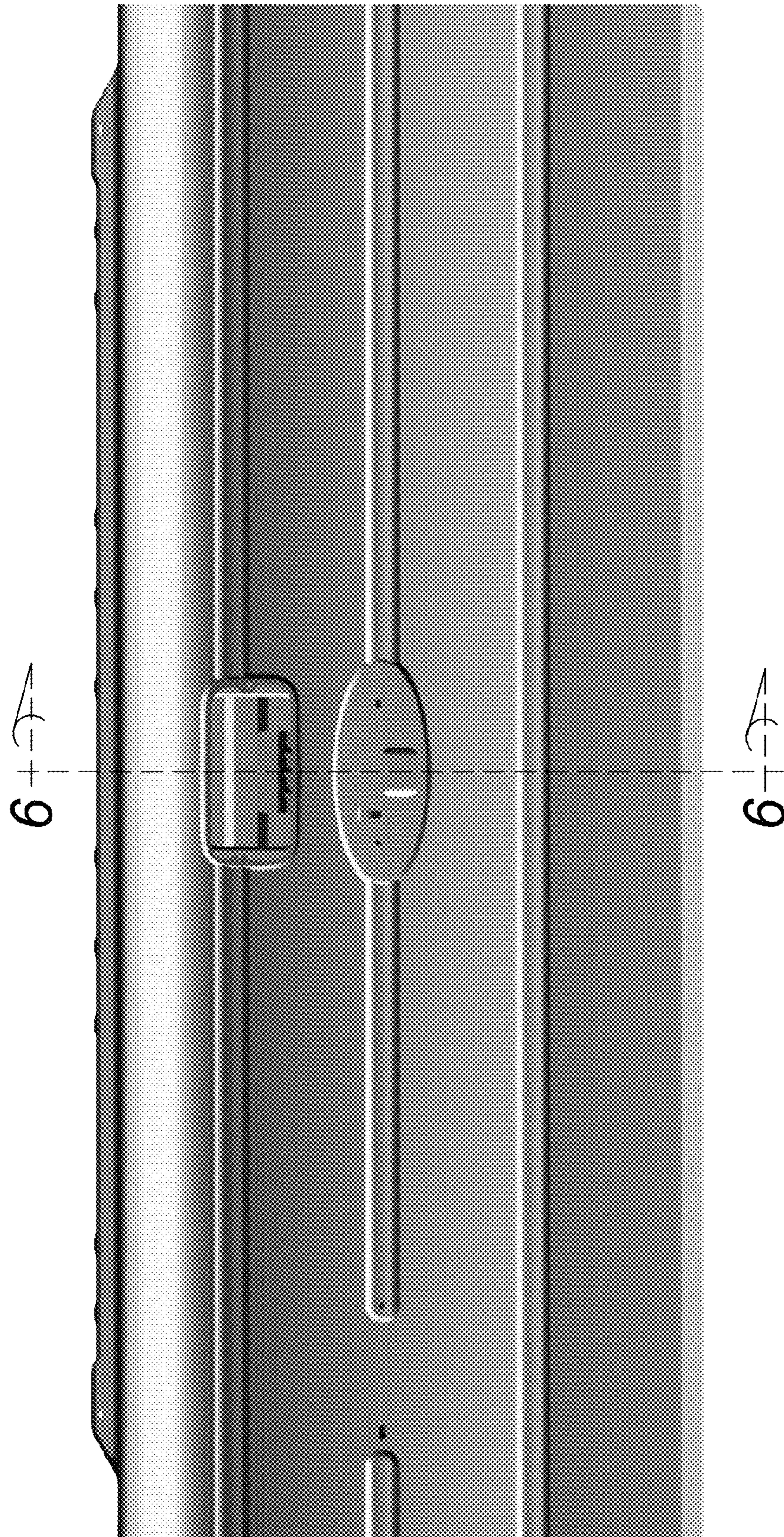


Figure 1

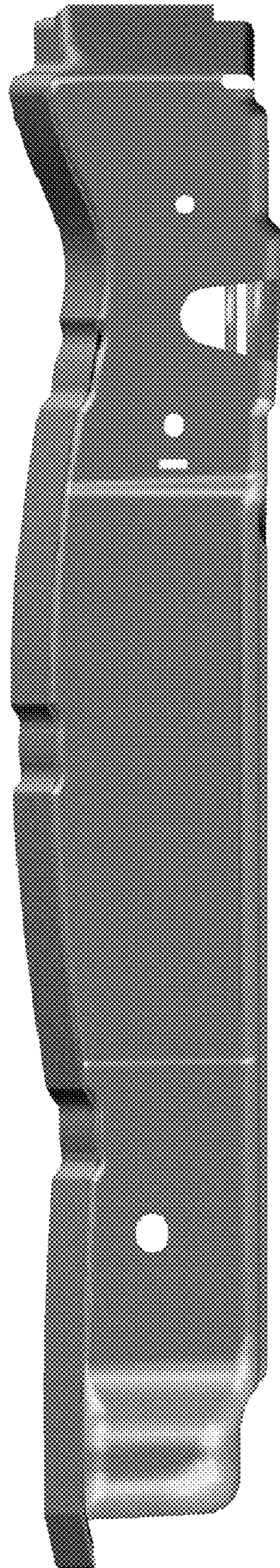


Figure 2

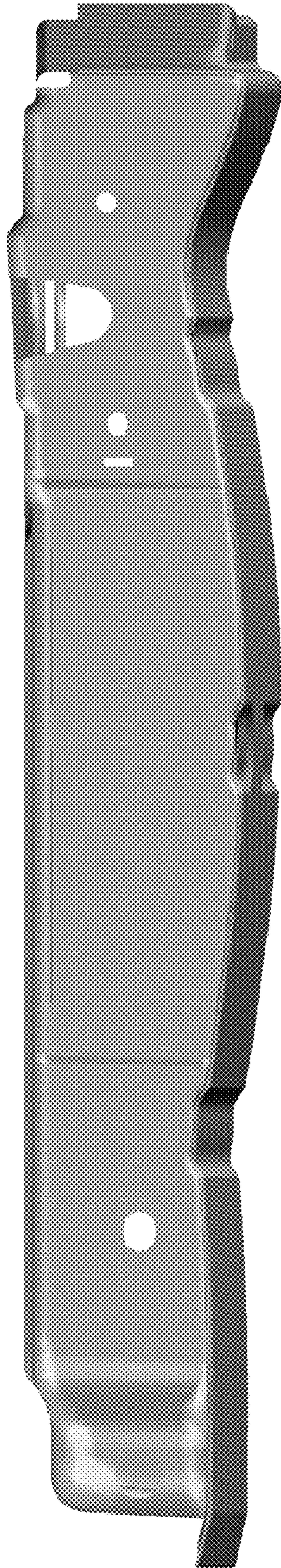


Figure 3

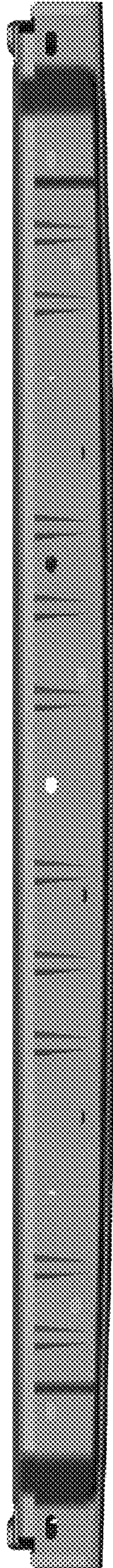


Figure 4

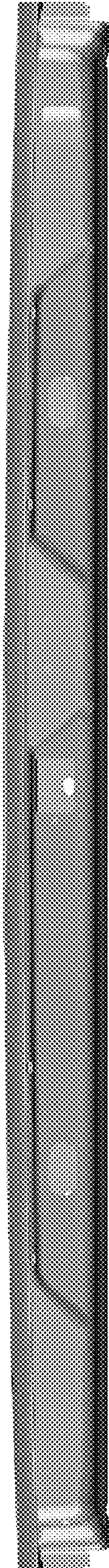


Figure 5

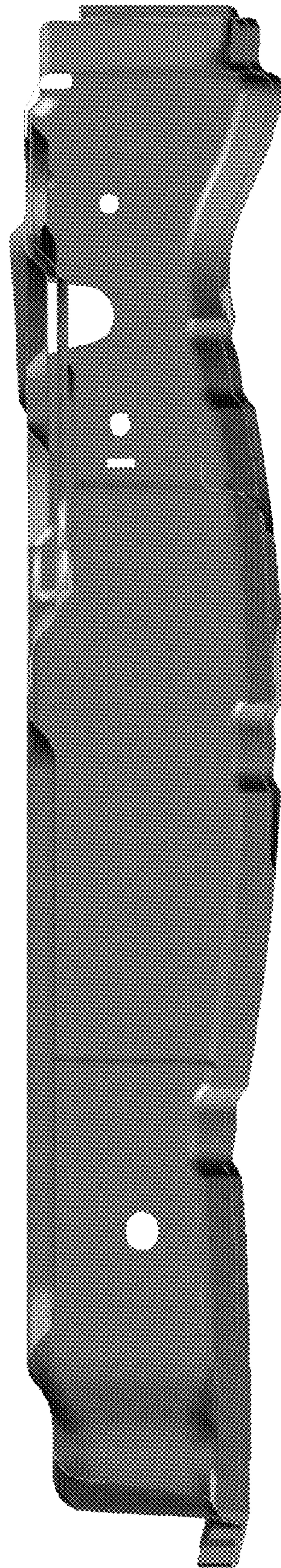


Figure 6

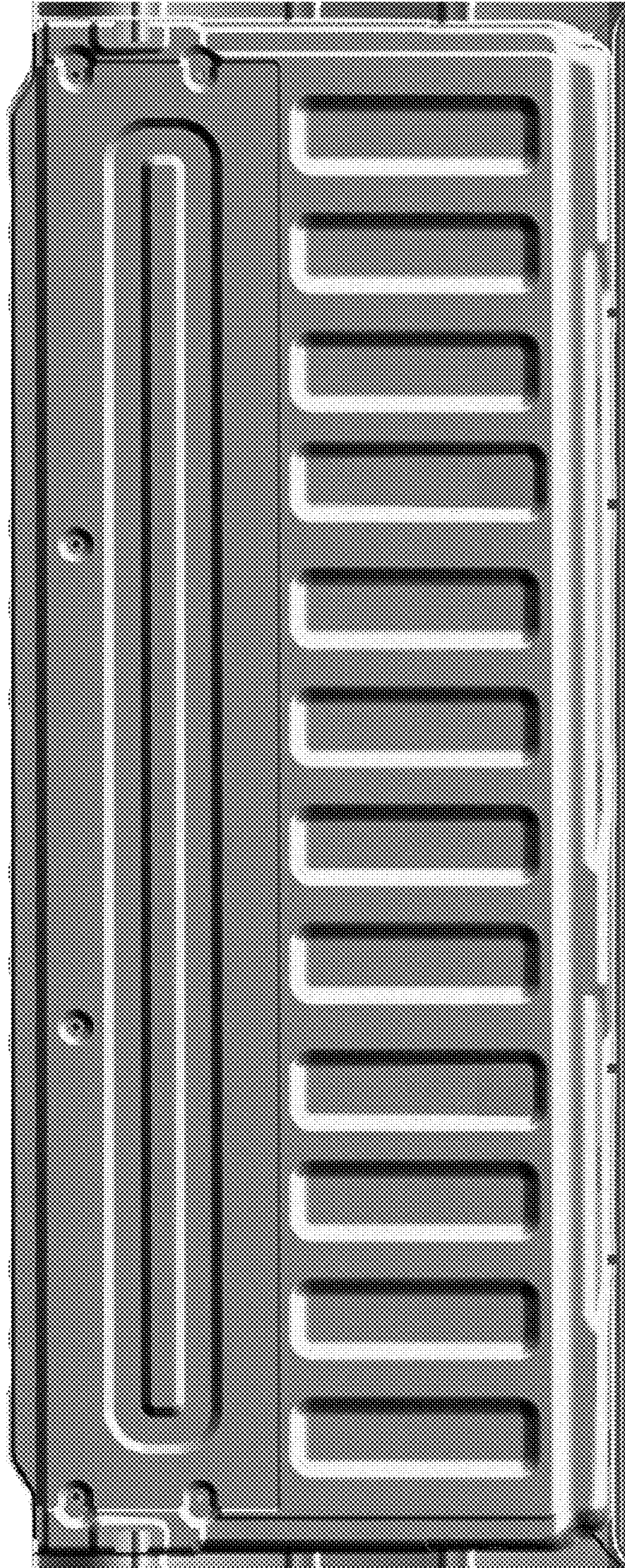


Figure 7