

US00D560582S

(12) **United States Design Patent** (10) **Patent No.:** **US D560,582 S**
Simons et al. (45) **Date of Patent:** **** Jan. 29, 2008**

(54) **TOP PANEL FOR TRUCK HOOD**

(75) Inventors: **Wayne K Simons**, Kent, WA (US); **F. Erik Tuft**, Kenmore, WA (US); **Steven H Hovind**, Bellevue, WA (US); **Gerald Jay Angelo**, Bellevue, WA (US); **Wallace A Peltola**, Sammamish, WA (US); **Daniel R Kieffer**, Kirkland, WA (US)

(73) Assignee: **PACCAR Inc**, Bellevue, WA (US)

(**) Term: **14 Years**

(21) Appl. No.: **29/238,192**

(22) Filed: **Sep. 12, 2005**

(51) **LOC (8) Cl.** **12-16**

(52) **U.S. Cl.** **D12/196**

(58) **Field of Classification Search** D12/196,
D12/98, 15, 14; 296/183.1, 21, 24.3, 24.43
See application file for complete search history.

(56) **References Cited**

U.S. PATENT DOCUMENTS

- D291,872 S 9/1987 Simons et al.
- D291,982 S 9/1987 Simons et al.
- D307,731 S 5/1990 Kerney et al.
- D308,032 S 5/1990 Kerney et al.
- D312,805 S 12/1990 Marlowe et al.
- D313,966 S 1/1991 Marlowe et al.
- D320,583 S 10/1991 Simons et al.
- D329,214 S 9/1992 Marlowe et al.
- D366,638 S 1/1996 Tucker et al.
- D382,841 S 8/1997 Norwood et al.
- D384,019 S 9/1997 Meryman et al.
- D395,860 S 7/1998 Meryman et al.
- D403,636 S 1/1999 Meryman et al.
- D411,140 S 6/1999 Meryman et al.
- D411,494 S 6/1999 Meryman et al.
- D422,251 S 4/2000 Bader et al.
- D423,990 S 5/2000 Meryman et al.
- D424,489 S 5/2000 Damon et al.
- D425,450 S 5/2000 Barraclough et al.
- D431,806 S 10/2000 Damon et al.

- D433,981 S 11/2000 Davis et al.
- D434,347 S 11/2000 Damon et al.
- D435,816 S * 1/2001 Delashaw et al. D12/173
- D436,563 S * 1/2001 Delashaw et al. D12/173
- D436,894 S 1/2001 Barraclough et al.

(Continued)

OTHER PUBLICATIONS

Kenworth Truck Company W900 brochure, Kirkland, Wash, 2005.

Kenworth Truck Company W900 brochure, Kirkland, Wash, 2002.

Kenworth Truck Company W900 brochure, Kirkland, Wash, 1996.

(Continued)

Primary Examiner—Melody N. Brown

(74) *Attorney, Agent, or Firm*—Christensen O'Connor Johnson Kindness PLLC

(57) **CLAIM**

The ornamental design for a top panel for truck hood, as shown and described.

DESCRIPTION

FIG. 1 is a front perspective view of a top panel for truck hood showing our new design;

FIG. 2 is a top plan view of the top panel for truck hood of FIG. 1;

FIG. 3 is a right side elevational view of the top panel for truck hood of FIG. 1;

FIG. 4 is a bottom plan view of the top panel for truck hood of FIG. 1;

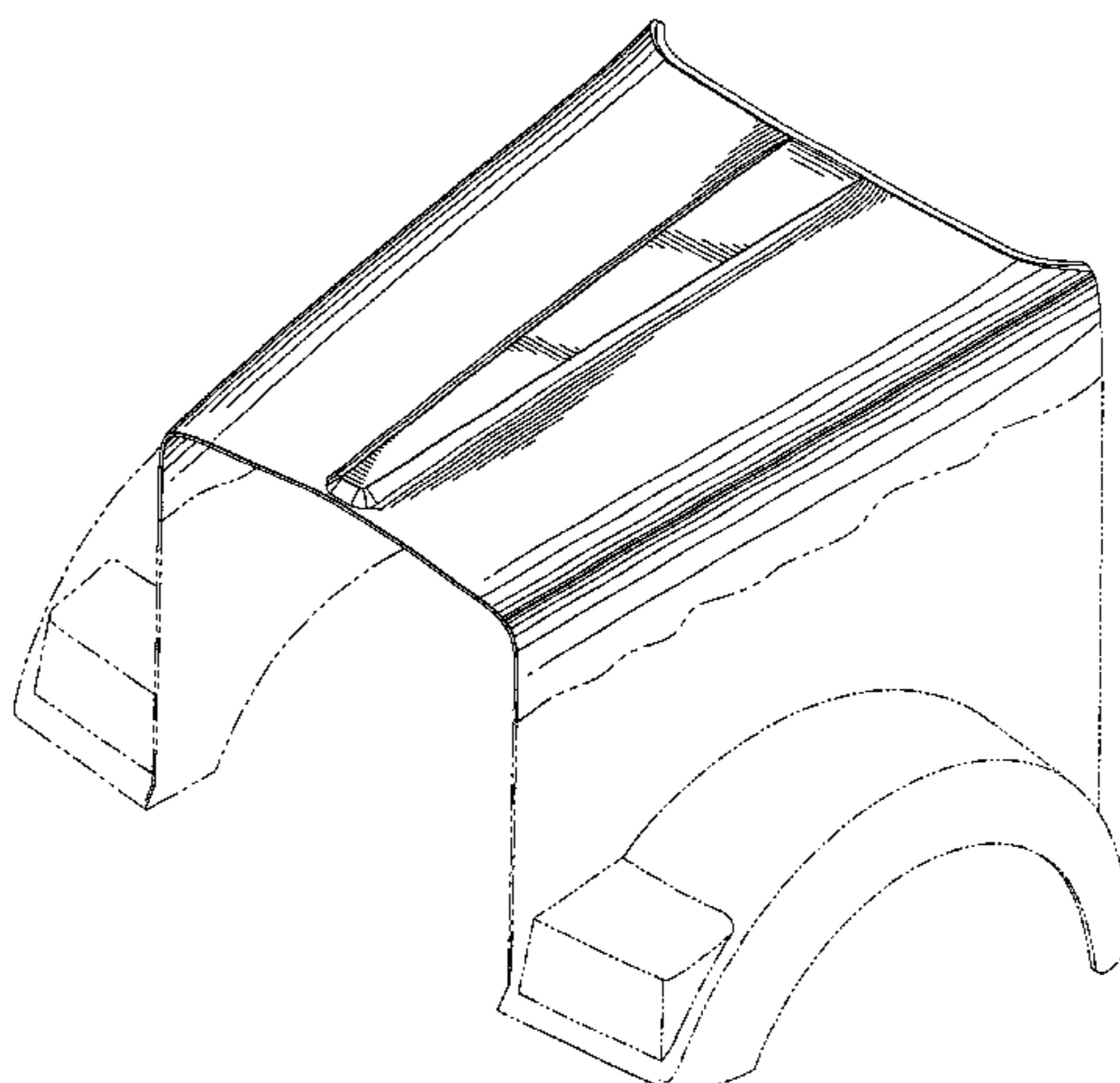
FIG. 5 is a left side elevational view of the top panel for truck hood of FIG. 1;

FIG. 6 is a front elevational view of the top panel for truck hood of FIG. 1; and,

FIG. 7 is a rear elevational view of the top panel for truck hood of FIG. 1.

The broken lines in the drawings form no part of the claimed design.

1 Claim, 4 Drawing Sheets



U.S. PATENT DOCUMENTS

D437,258 S 2/2001 Meryman et al.
D437,570 S 2/2001 Meryman et al.
D446,175 S * 8/2001 Hoyle, Jr. D12/173
D450,277 S 11/2001 Onopa
D475,657 S 6/2003 Wong et al.
D478,300 S * 8/2003 Chiang D12/173
D484,077 S 12/2003 Conway et al.
D494,900 S * 8/2004 Satou D12/173
D497,581 S 10/2004 Conway et al.
D502,901 S 3/2005 Delashaw et al.
D504,642 S 5/2005 Perfetti et al.
D512,666 S * 12/2005 Chiang D12/173
D514,483 S * 2/2006 Chiang D12/173
D518,761 S * 4/2006 Chiang D12/173

OTHER PUBLICATIONS

Kenworth Truck Company T2000 brochure, Kirkland, Wash, 2005.
Kenworth Truck Company T2000 brochure, Kirkland, Wash, 2002.

Kenworth Truck Company T800 brochure, Kirkland, Wash, 2005.

Kenworth Truck Company T800 brochure, Kirkland, Wash, 2003.

Kenworth Truck Company T800 brochure, Kirkland, Wash, 2002.

Kenworth Truck Company T600 brochure, Kirkland, Wash, 2005.

Kenworth Truck Company T600 brochure, Kirkland, Wash, 2002.

Kenworth Truck Company T600 brochure, Kirkland, Wash, 1996.

Kenworth Truck Company T300 brochure, Kirkland, Wash, 2005.

Kenworth Truck Company T300 brochure, Kirkland, Wash, 2001.

* cited by examiner

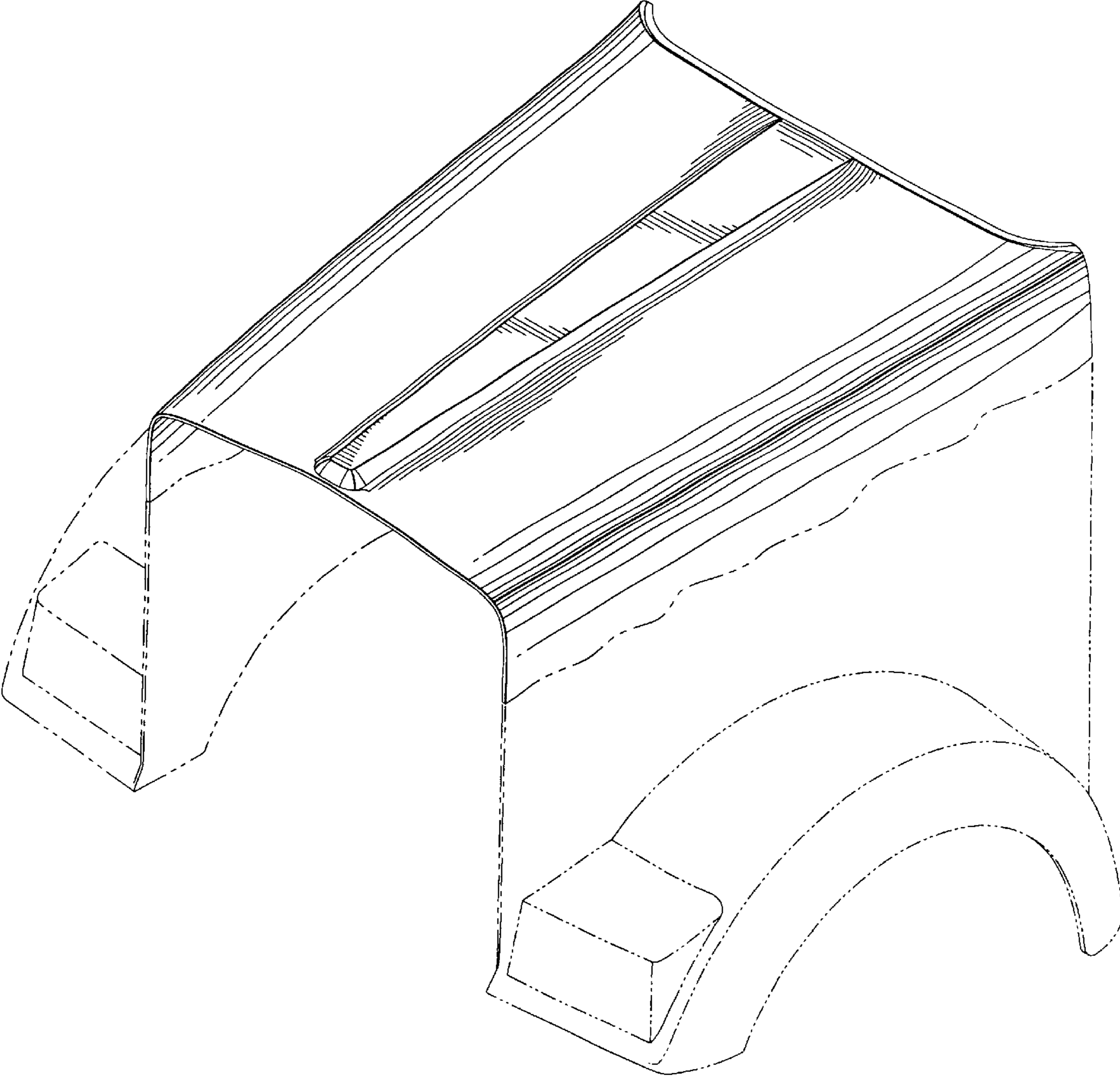


Fig. 1.

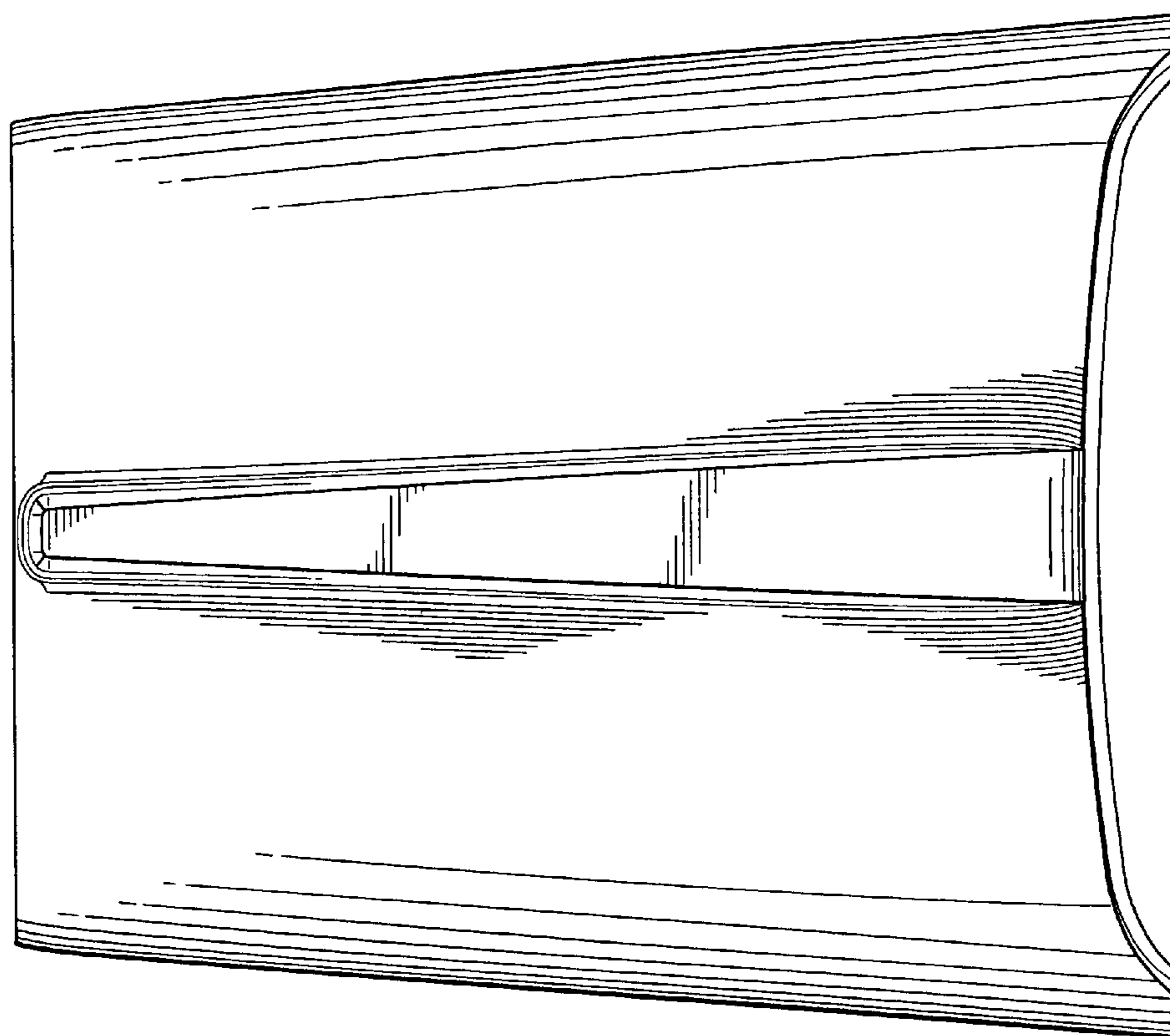


Fig. 2.

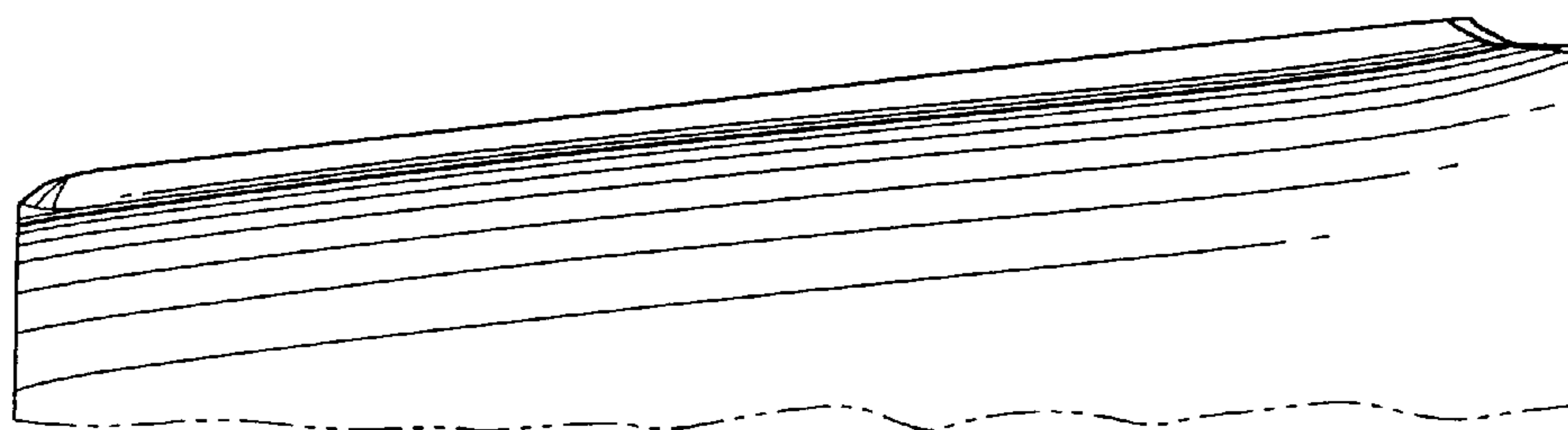


Fig. 3.

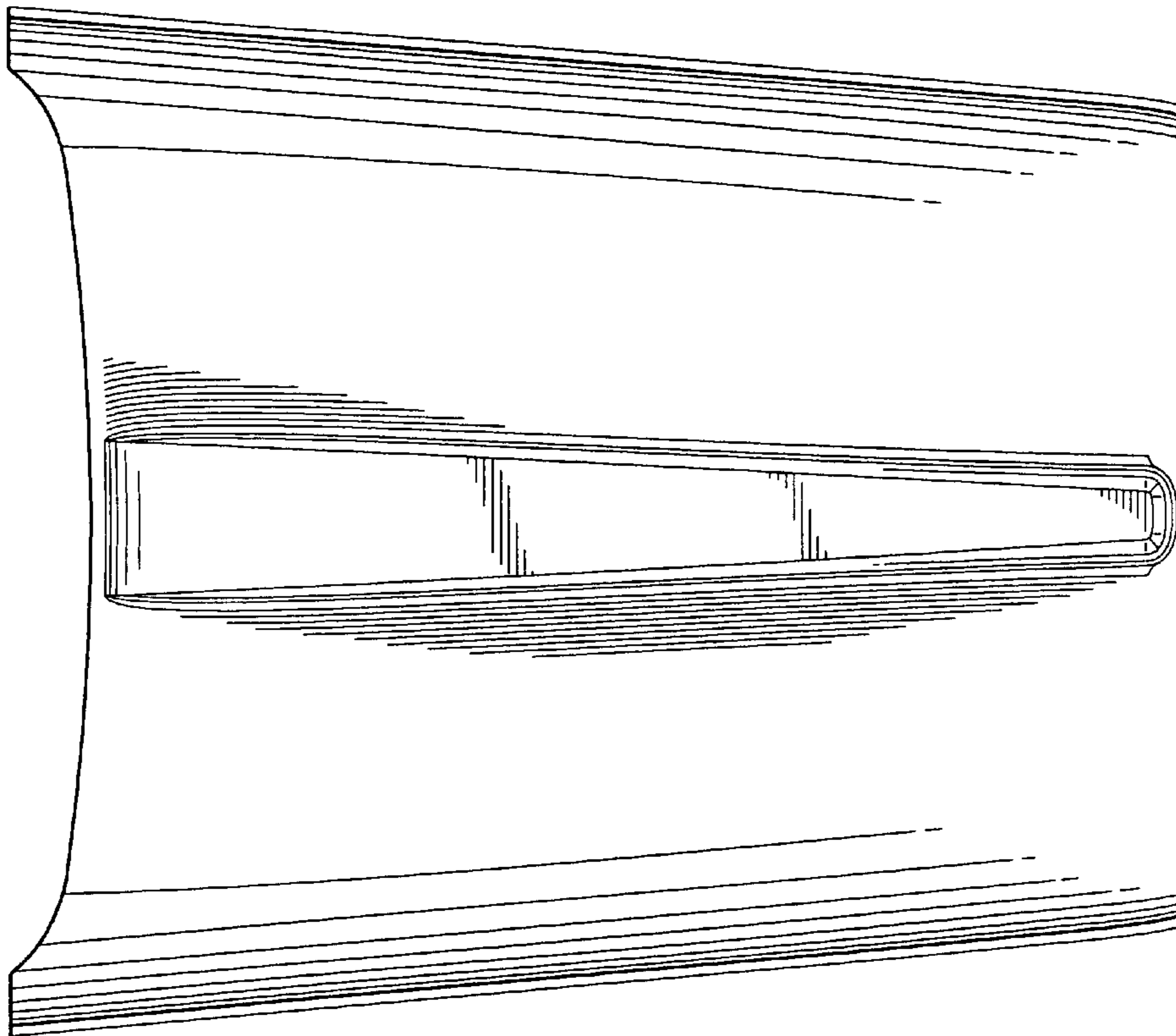


Fig. 4.

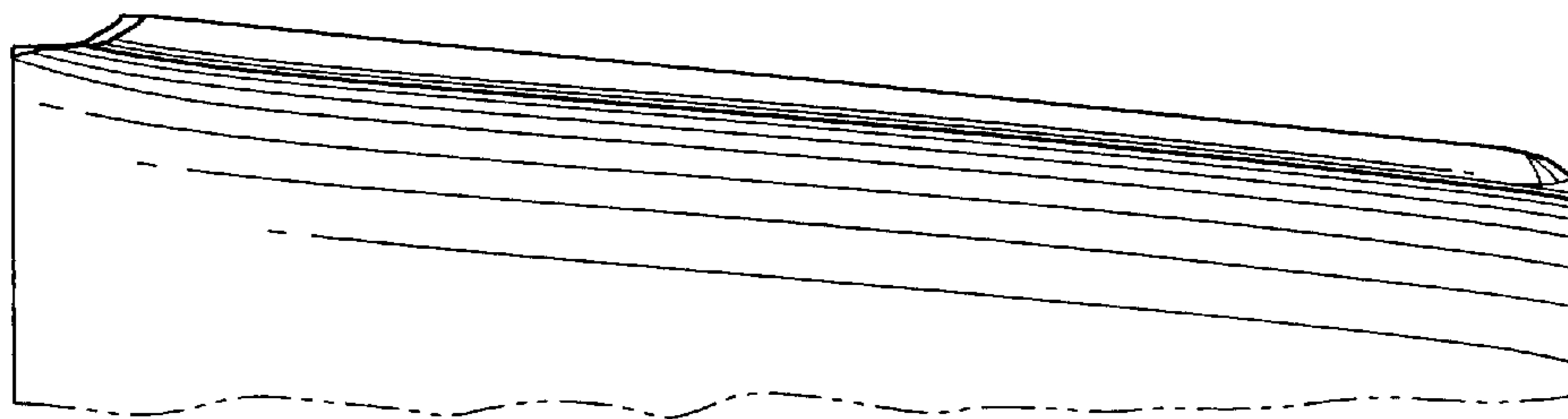


Fig. 5.

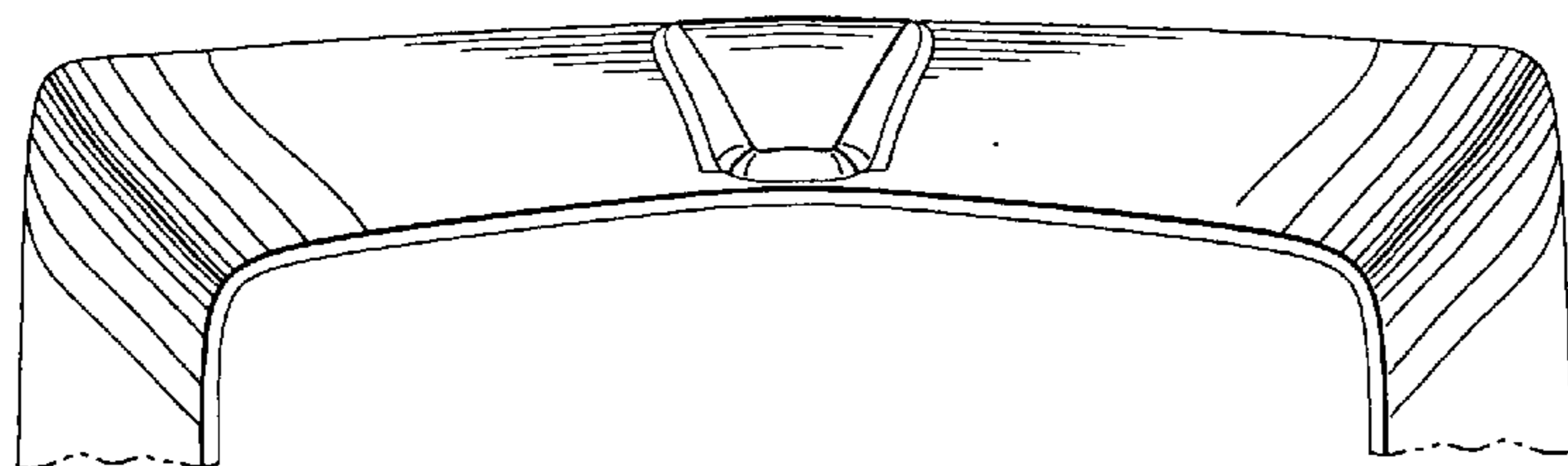


Fig. 6.

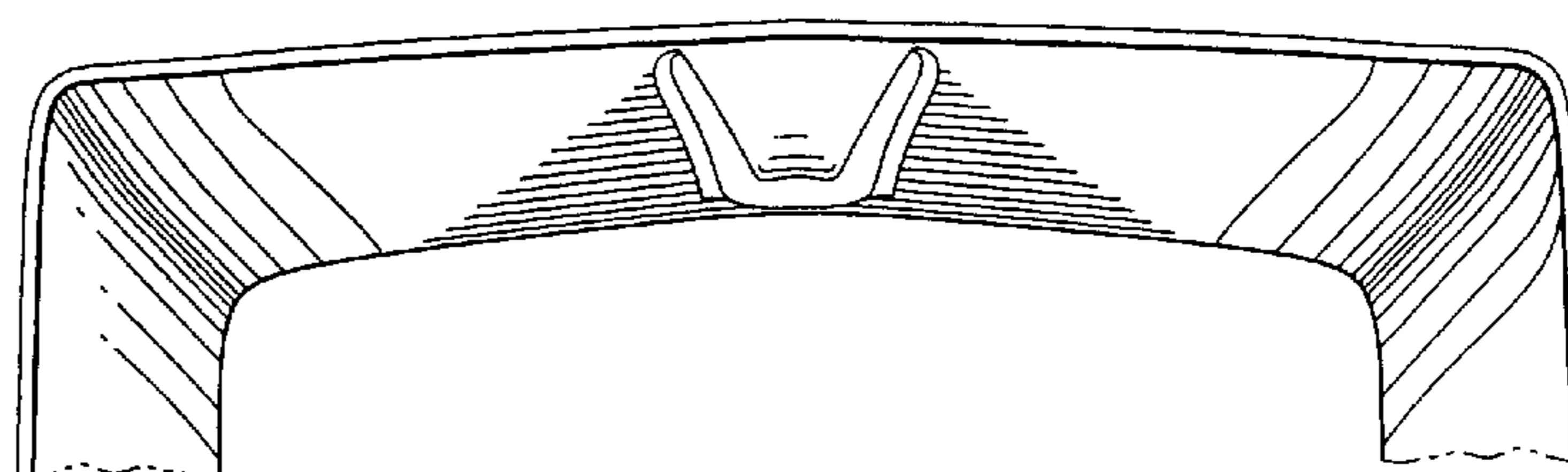


Fig. 7.