



US00D560580S

(12) **United States Design Patent**
Sasaki et al.

(10) **Patent No.:** **US D560,580 S**
(45) **Date of Patent:** **** Jan. 29, 2008**

(54) **CALIPER BODY OF DISC BRAKE FOR VEHICLES**

(75) Inventors: **Takaaki Sasaki**, Tokyo (JP); **Shinjiro Masuko**, Tokyo (JP)

(73) Assignee: **Akebono Brake Industry Co., Ltd.**, Tokyo (JP)

(**) Term: **14 Years**

(21) Appl. No.: **29/281,811**

(22) Filed: **Jul. 2, 2007**

(30) **Foreign Application Priority Data**

Feb. 27, 2007 (JP) 2007-004849

(51) **LOC (8) Cl.** **12-16**

(52) **U.S. Cl.** **D12/180**

(58) **Field of Classification Search** D12/179-180, D12/400, 114; 192/107 R, 70.16; 188/72.5, 188/72.6, 73.2, 73.39, 73.31, 73.45, 71.1, 188/73.3, 71.3, 73.1, 209-211, 218 XL, 24.11-24.13, 188/24.22

See application file for complete search history.

(56) **References Cited**

U.S. PATENT DOCUMENTS

- 5,022,500 A 6/1991 Wang
- D378,363 S * 3/1997 Sin D12/180
- D417,178 S 11/1999 Gallagher
- 6,000,506 A 12/1999 Warwick
- D458,199 S 6/2002 Demoise et al.
- D491,500 S 6/2004 Fujiwara et al.
- D492,229 S 6/2004 Barbosa et al.

- D493,754 S 8/2004 Barbosa et al.
- D506,714 S 6/2005 Ono
- D508,001 S 8/2005 Matsumoto
- D512,667 S 12/2005 Iwasaki
- D512,946 S 12/2005 Hatakoshi et al.
- D520,924 S 5/2006 Gotti et al.
- D522,420 S 6/2006 Crippa et al.
- D522,421 S 6/2006 Crippa et al.
- D523,794 S 6/2006 Strumbo et al.
- D527,321 S 8/2006 Gherardi et al.
- D545,737 S * 7/2007 Sherman D12/180
- D548,153 S * 8/2007 Sherman D12/180

* cited by examiner

Primary Examiner—Stacia Cadmus

(74) *Attorney, Agent, or Firm*—Knobbe Martens Olson & Bear LLP

(57) **CLAIM**

The ornamental design for a caliper body of disc brake for vehicles, as shown and described.

DESCRIPTION

FIG. 1 is a front view of a caliper body of disc brake for vehicles;

FIG. 2 is a rear view thereof;

FIG. 3 is a top view thereof;

FIG. 4 is a bottom view thereof;

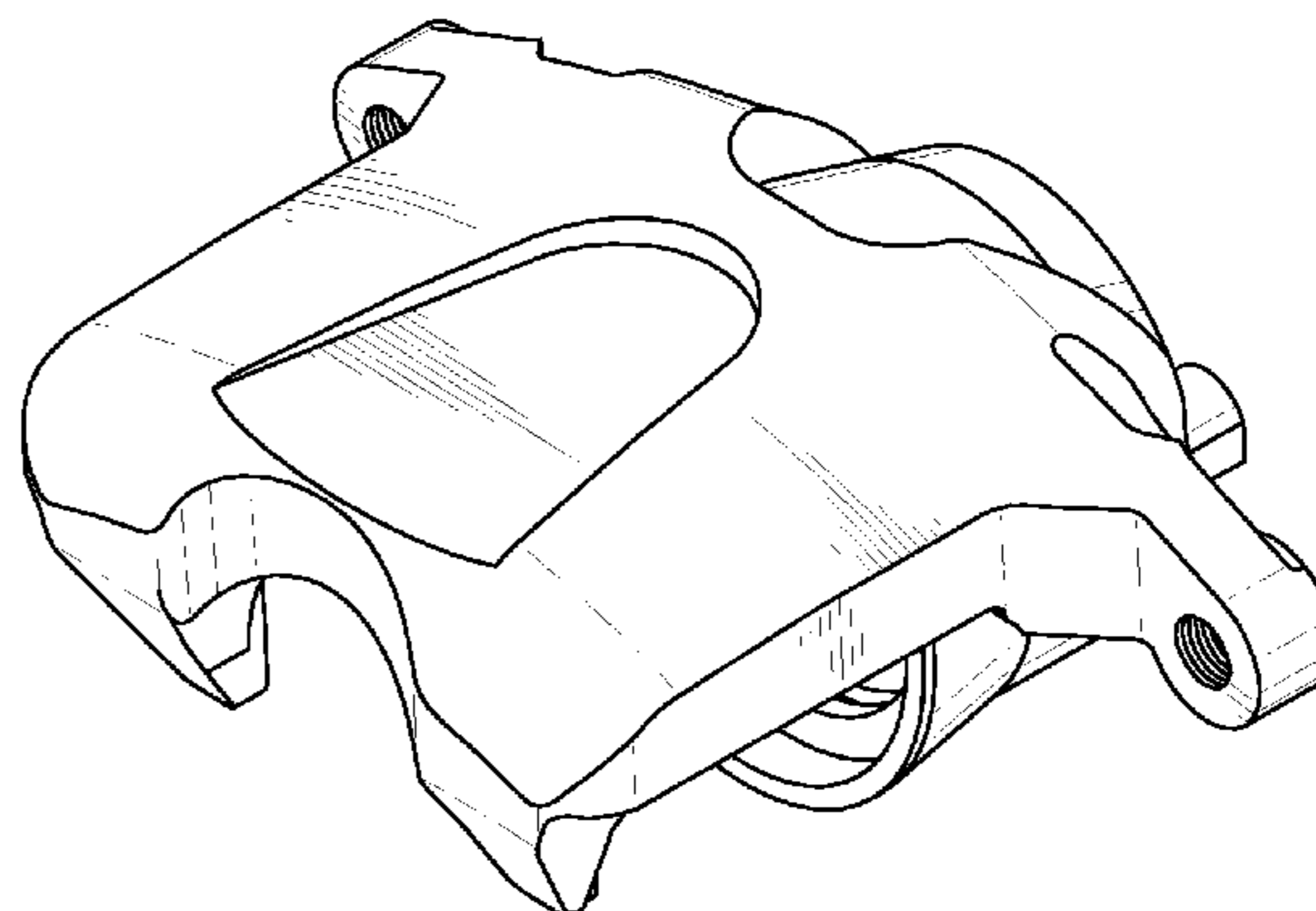
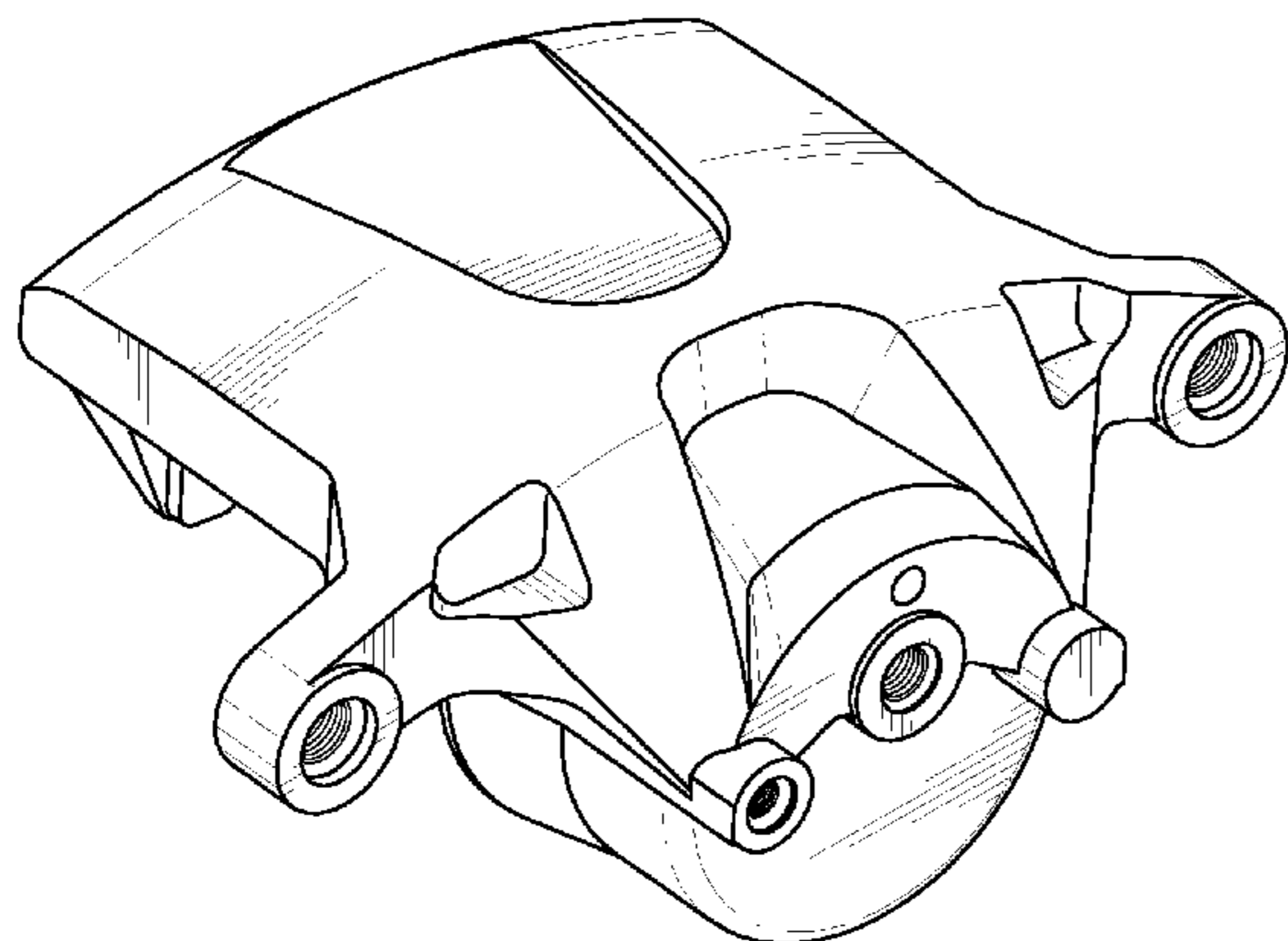
FIG. 5 is a right side view thereof;

FIG. 6 is a left side view thereof;

FIG. 7 is a front perspective view thereof; and,

FIG. 8 is a rear perspective view thereof.

1 Claim, 4 Drawing Sheets



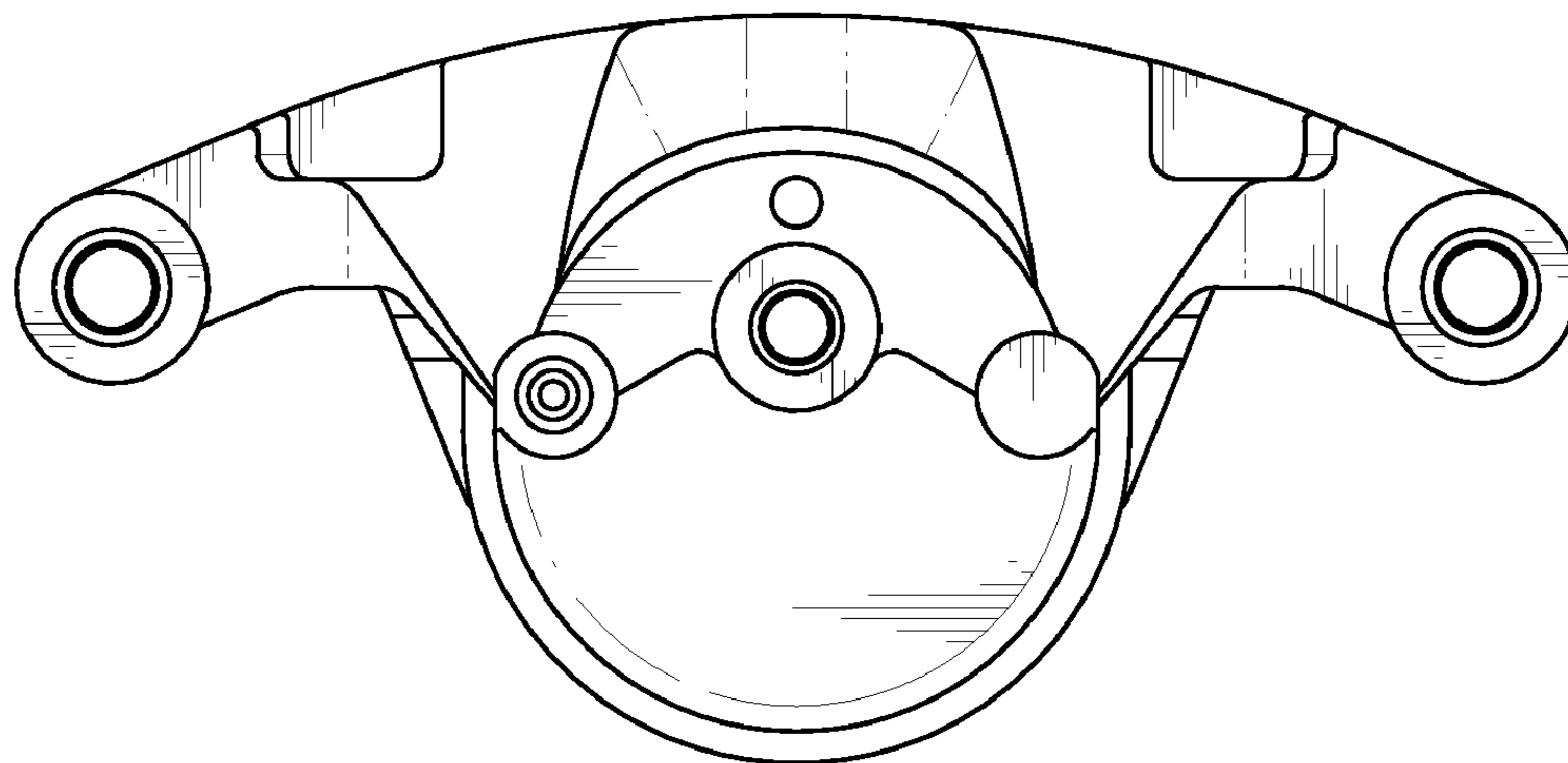


FIG. 1

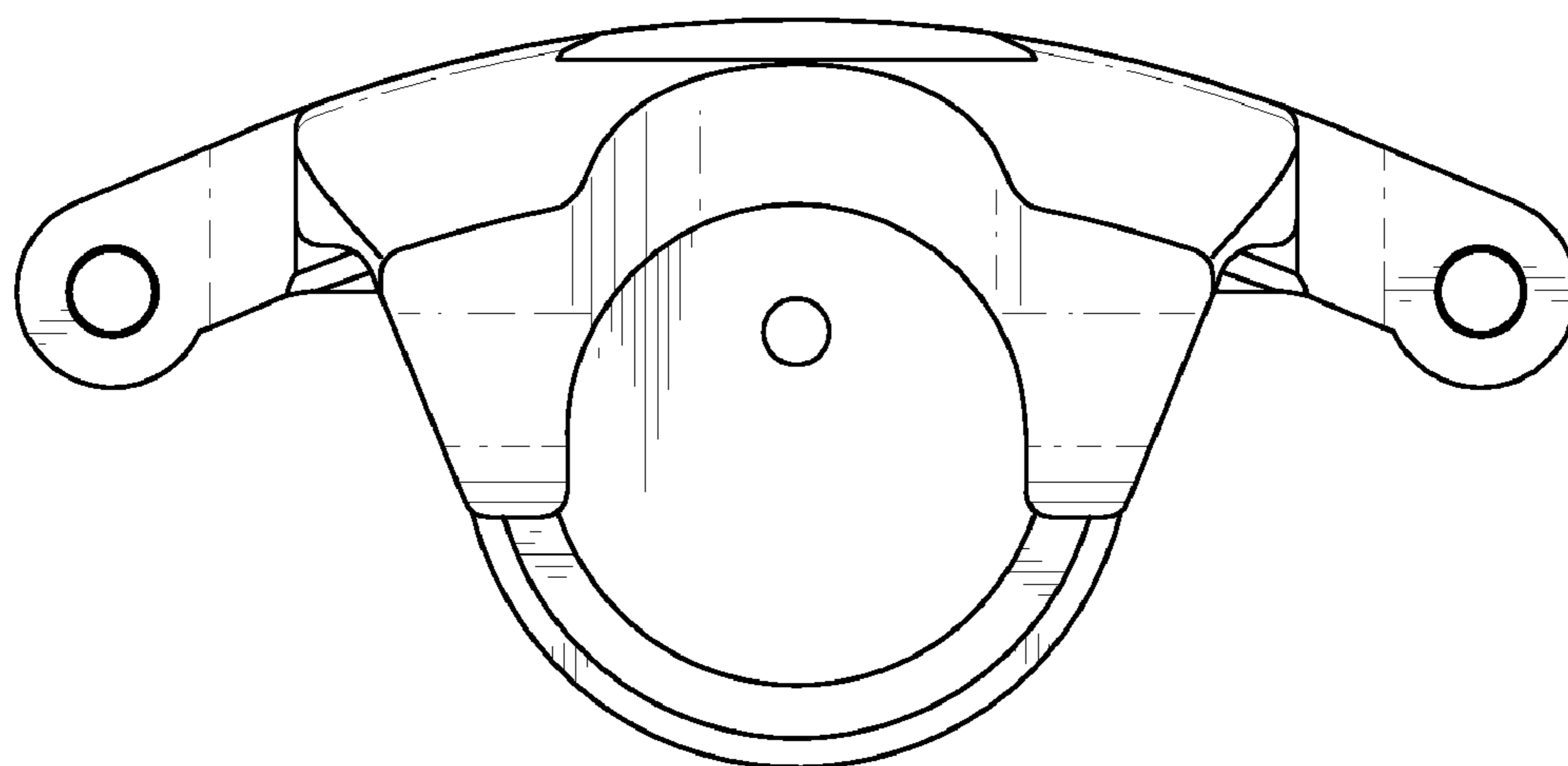


FIG. 2

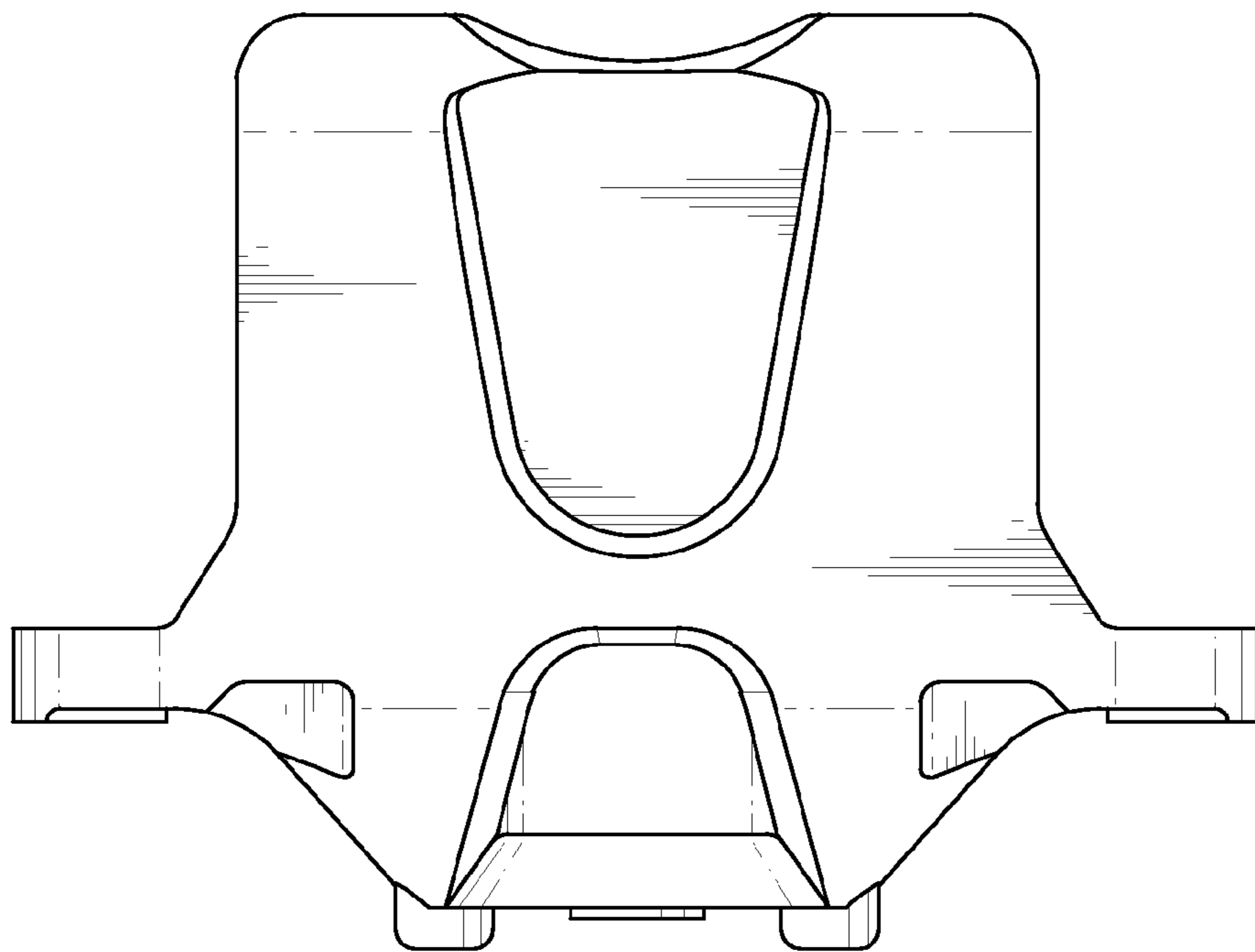


FIG. 3

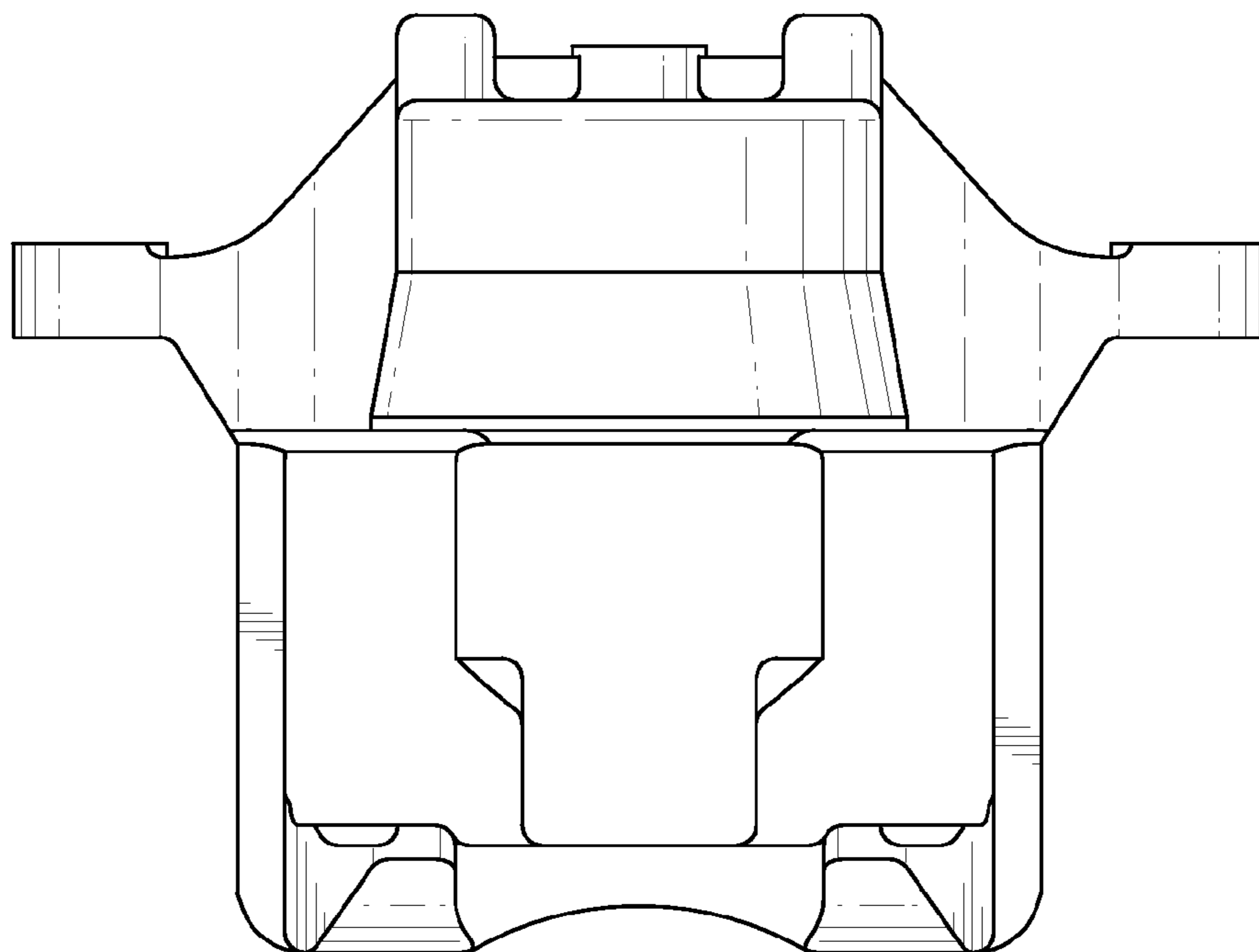


FIG. 4

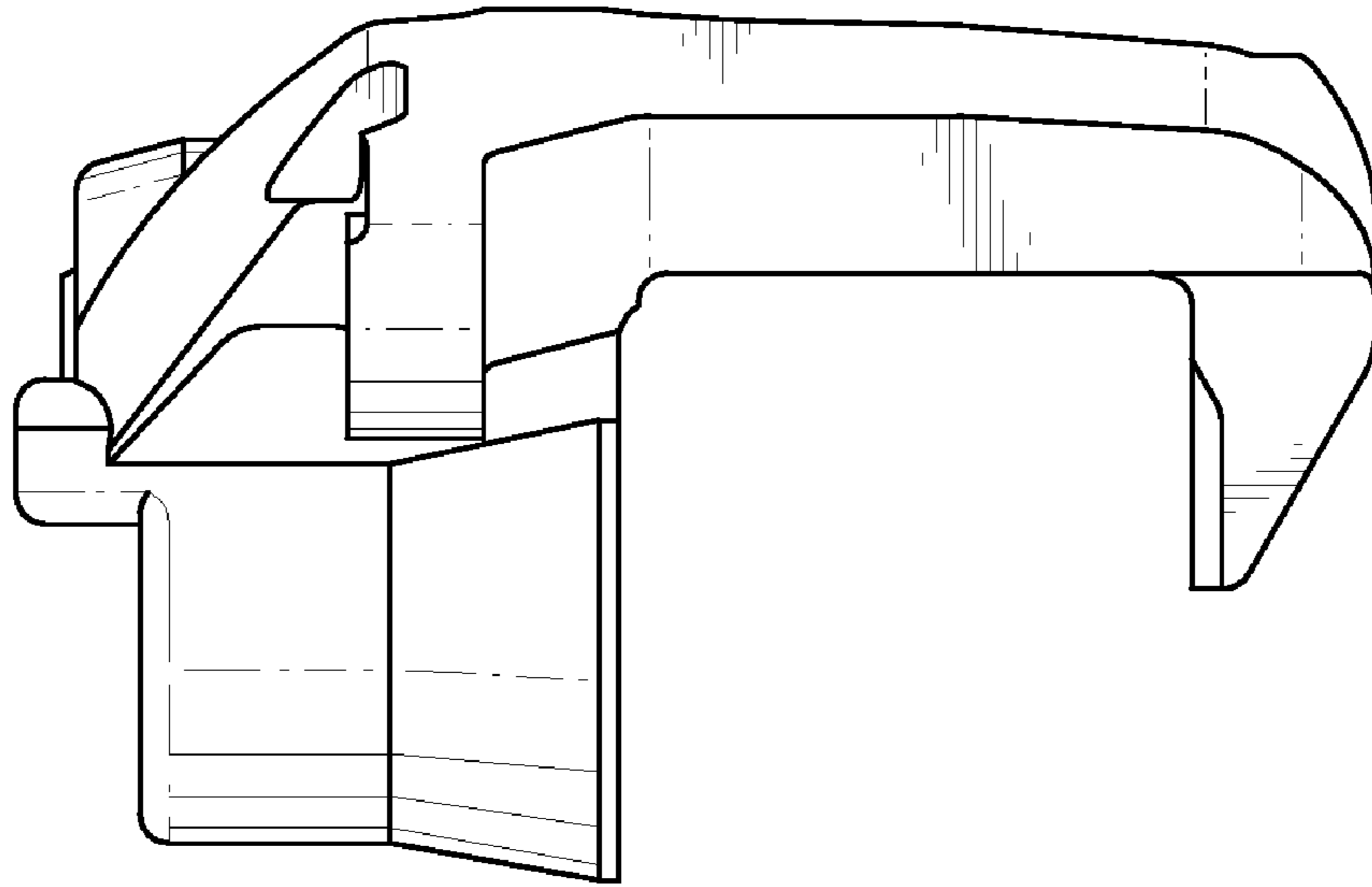


FIG. 5

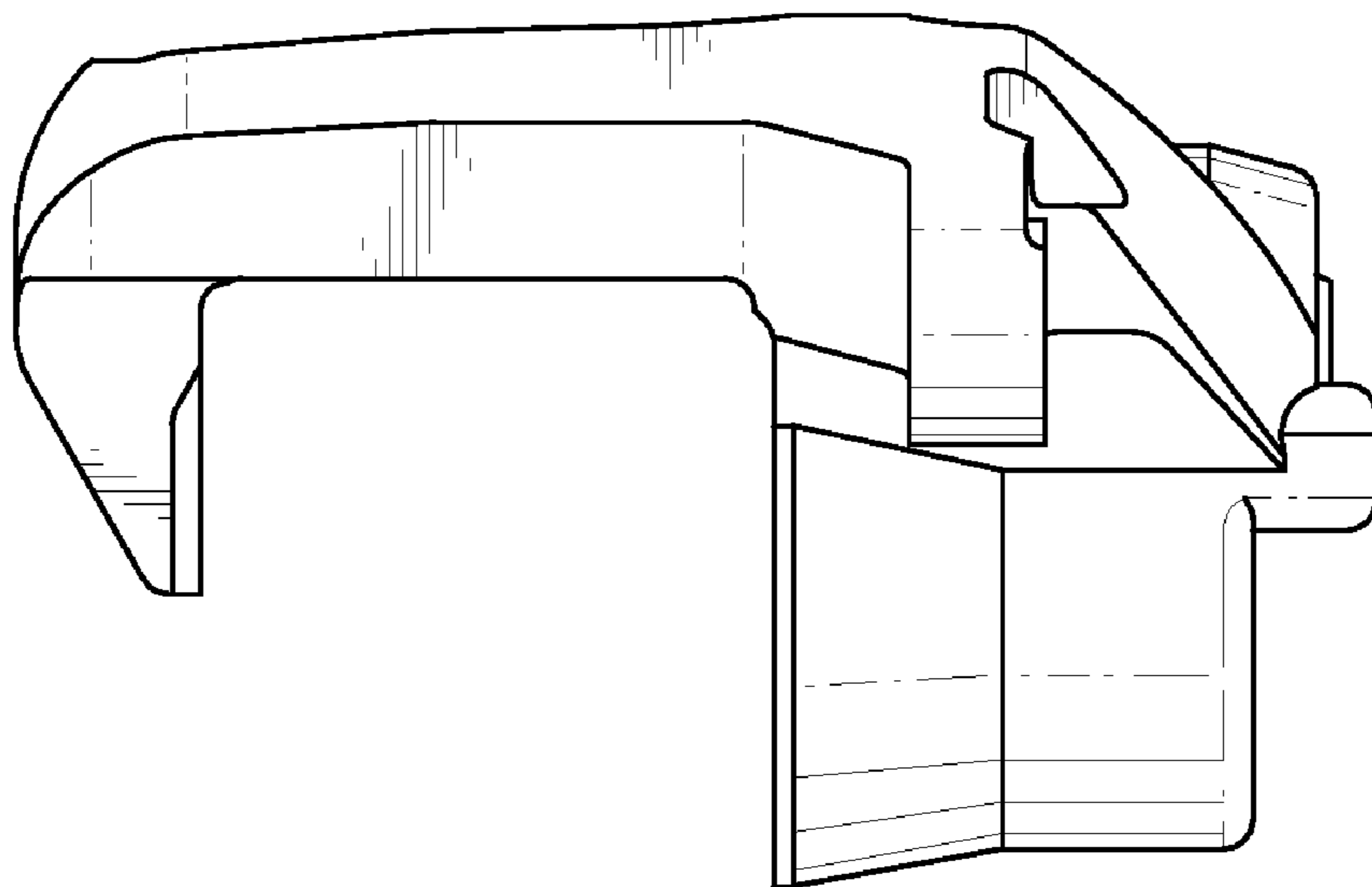


FIG. 6

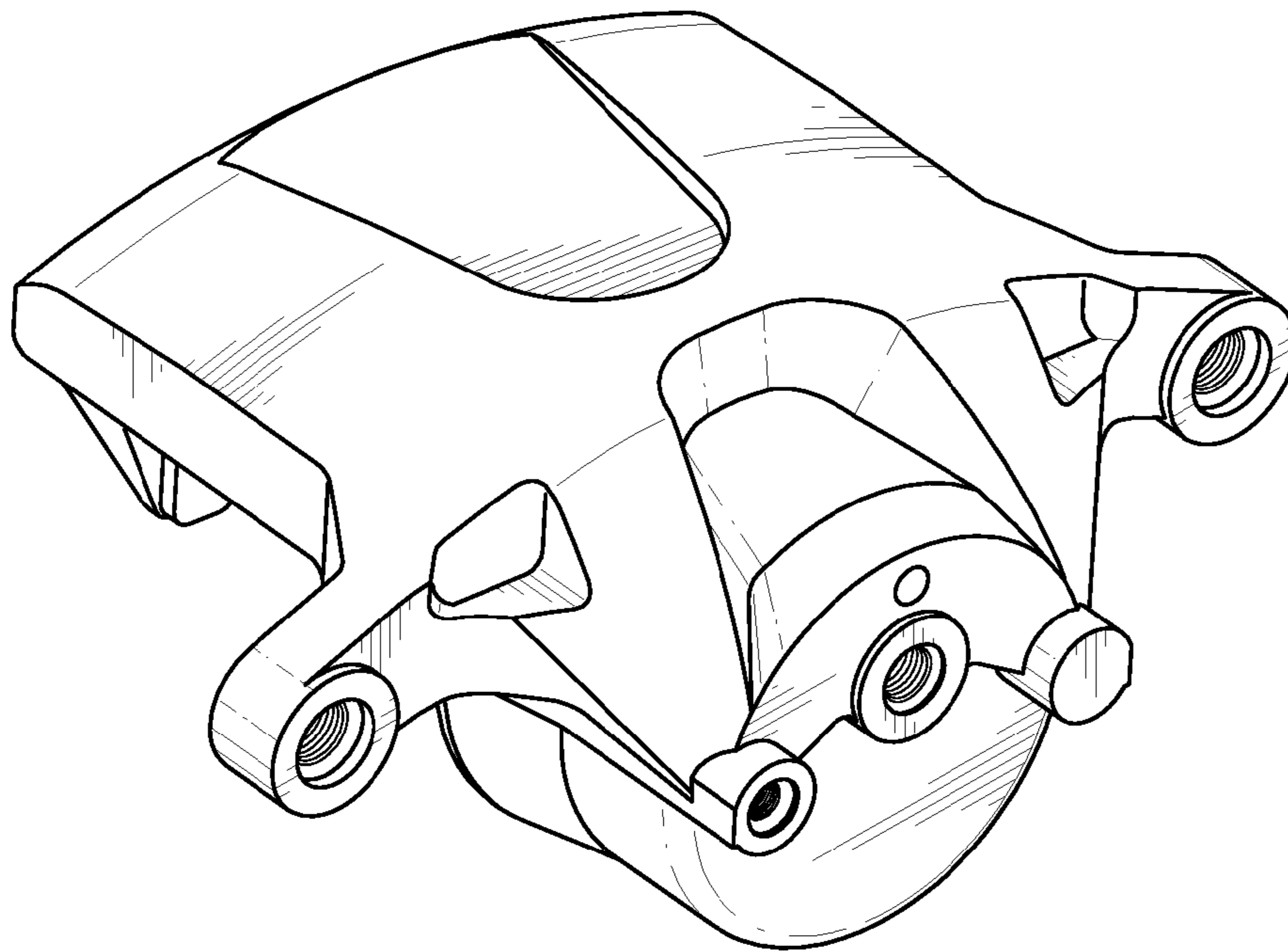


FIG. 7

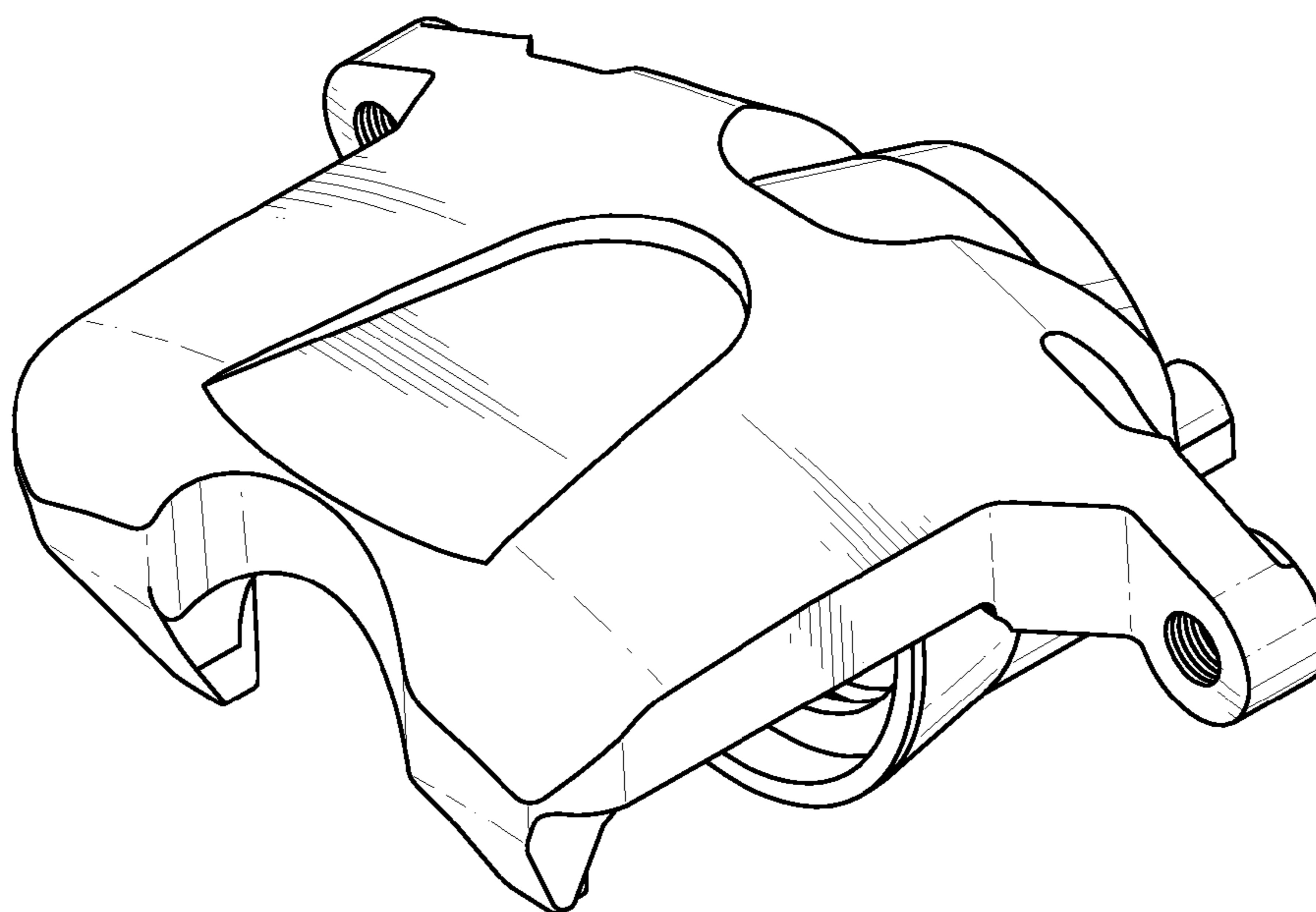


FIG. 8