



US00D560579S

(12) **United States Design Patent**  
**Sasaki et al.**

(10) **Patent No.:** **US D560,579 S**  
(45) **Date of Patent:** **\*\* Jan. 29, 2008**

(54) **CALIPER BODY OF DISC BRAKE FOR VEHICLES**

(75) Inventors: **Takaaki Sasaki**, Tokyo (JP); **Shinjiro Masuko**, Tokyo (JP); **Daisuke Fujiwara**, Tokyo (JP)

(73) Assignee: **Akebono Brake Industry Co., Ltd.**, Tokyo (JP)

(\*\*) Term: **14 Years**

(21) Appl. No.: **29/281,809**

(22) Filed: **Jul. 2, 2007**

(30) **Foreign Application Priority Data**

Feb. 27, 2007 (JP) ..... 2007-004850

(51) **LOC (8) Cl.** ..... **12-16**

(52) **U.S. Cl.** ..... **D12/180**

(58) **Field of Classification Search** ..... D12/179–180, D12/400, 114; 192/107 R, 70.16; 188/72.5, 188/72.6, 73.2, 73.39, 73.31, 73.45, 71.1, 188/73.3, 71.3, 73.1, 209–211, 218 XL, 24.11–24.13, 188/24.22

See application file for complete search history.

(56) **References Cited**

**U.S. PATENT DOCUMENTS**

5,022,500 A	6/1991	Wang	
D378,363 S *	3/1997	Sin	D12/180
D417,178 S	11/1999	Gallagher	
6,000,506 A	12/1999	Warwick	
D458,199 S *	6/2002	Demoise et al.	D12/180
D491,500 S *	6/2004	Fujiwara et al.	D12/180
D492,229 S	6/2004	Barbosa et al.	

D493,754 S	8/2004	Barbosa et al.	
D506,714 S *	6/2005	Ono	D12/180
D508,001 S *	8/2005	Matsumoto	D12/180
D512,667 S *	12/2005	Iwasaki	D12/180
D512,946 S *	12/2005	Hatakoshi et al.	D12/180
D520,924 S	5/2006	Gotti et al.	
D522,420 S	6/2006	Crippa et al.	
D522,421 S	6/2006	Crippa et al.	
D523,794 S	6/2006	Strumbo et al.	
D527,321 S	8/2006	Gherardi et al.	
D545,737 S *	7/2007	Sherman	D12/180
D548,153 S *	8/2007	Sherman	D12/180

\* cited by examiner

*Primary Examiner*—Stacia Cadmus

(74) *Attorney, Agent, or Firm*—Knobbe Martens Olson & Bear LLP

(57) **CLAIM**

The ornamental design for a caliper body of a disc brake for vehicles, as shown and described.

**DESCRIPTION**

FIG. 1 is a front view of a caliper body of disc brake for vehicles;

FIG. 2 is a rear view thereof;

FIG. 3 is a top view thereof;

FIG. 4 is a bottom view thereof;

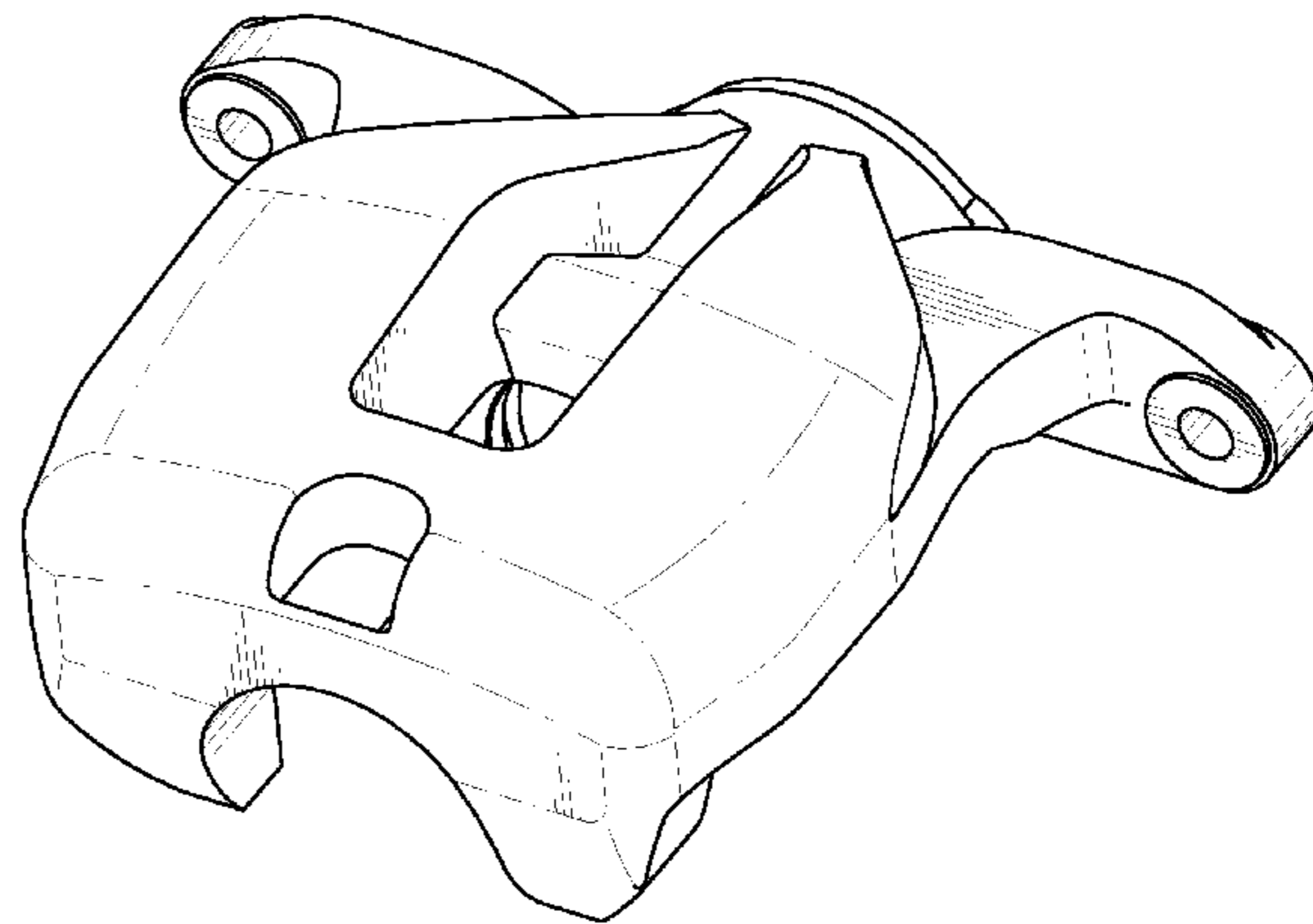
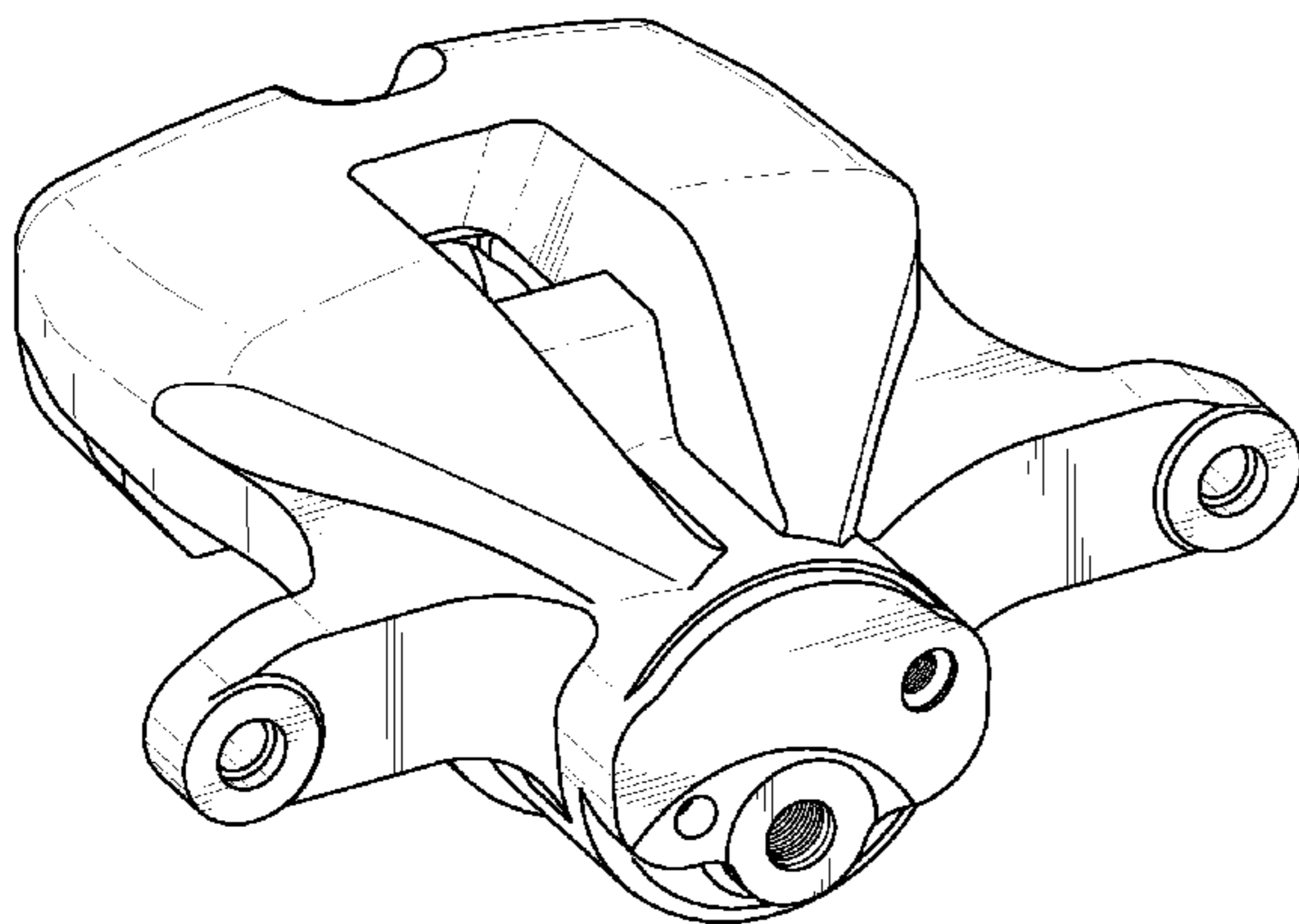
FIG. 5 is a right side view thereof;

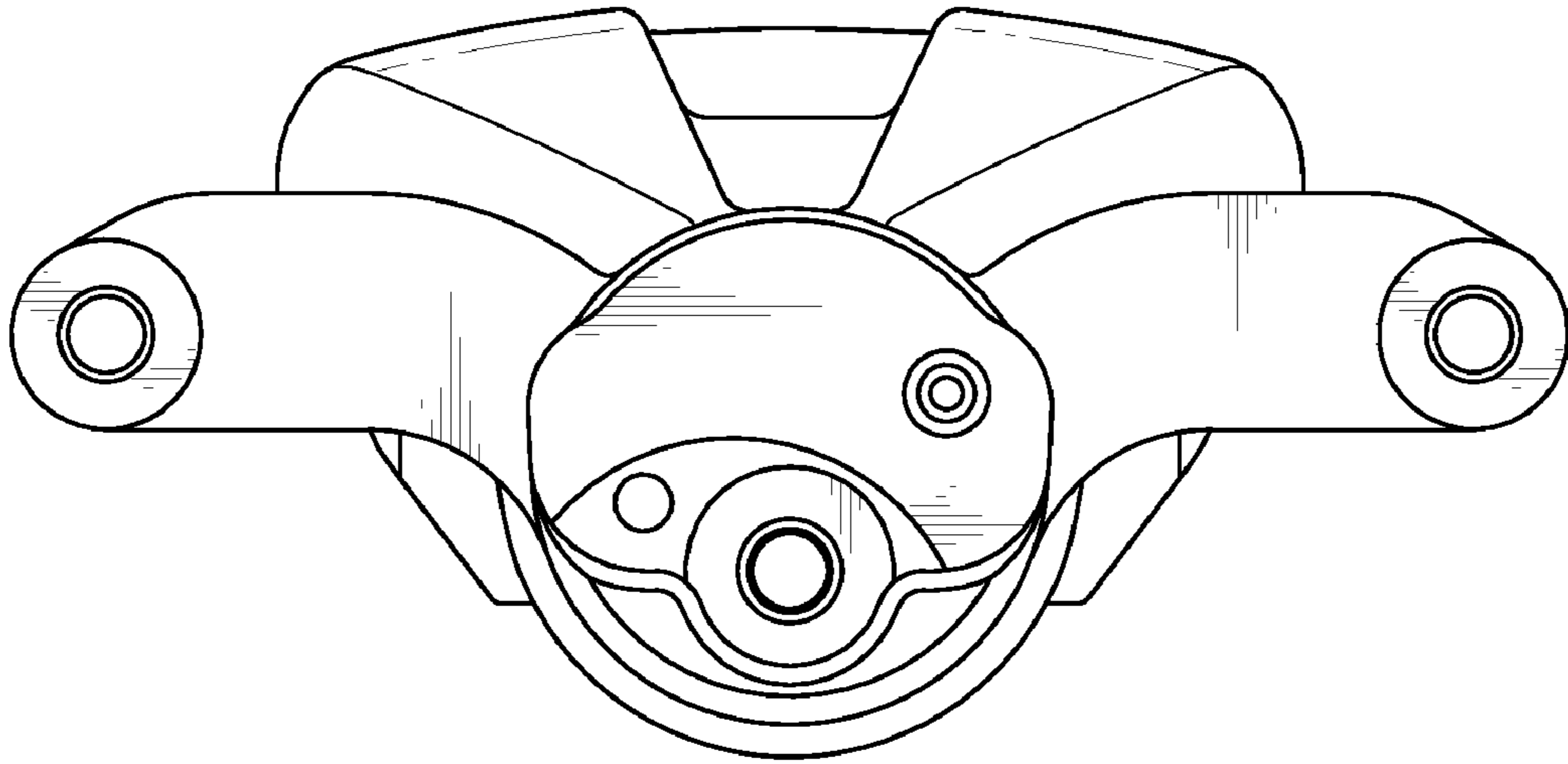
FIG. 6 is a left side view thereof;

FIG. 7 is a front perspective view thereof; and,

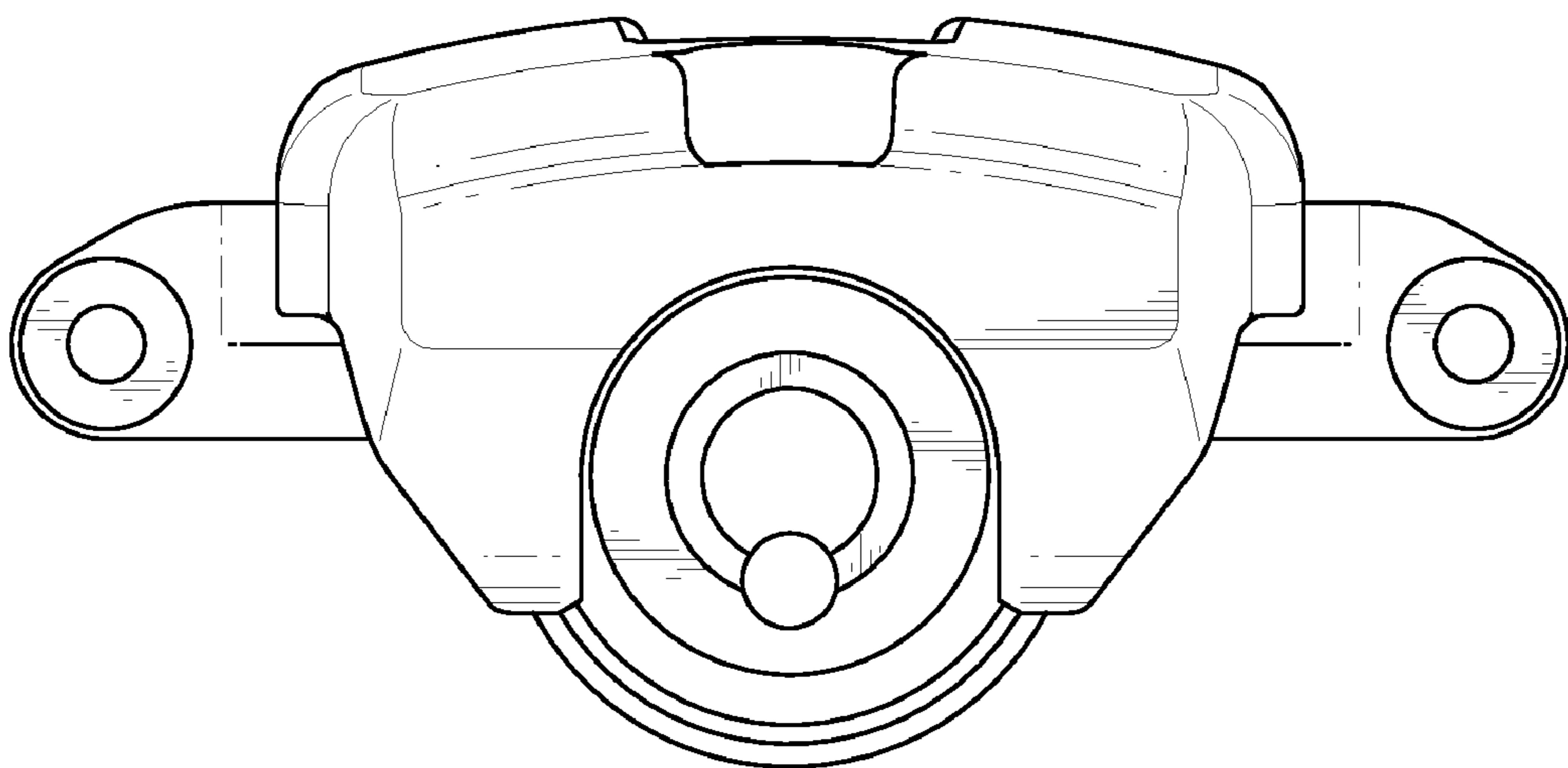
FIG. 8 is a rear perspective view thereof.

**1 Claim, 4 Drawing Sheets**





*FIG. 1*



*FIG. 2*

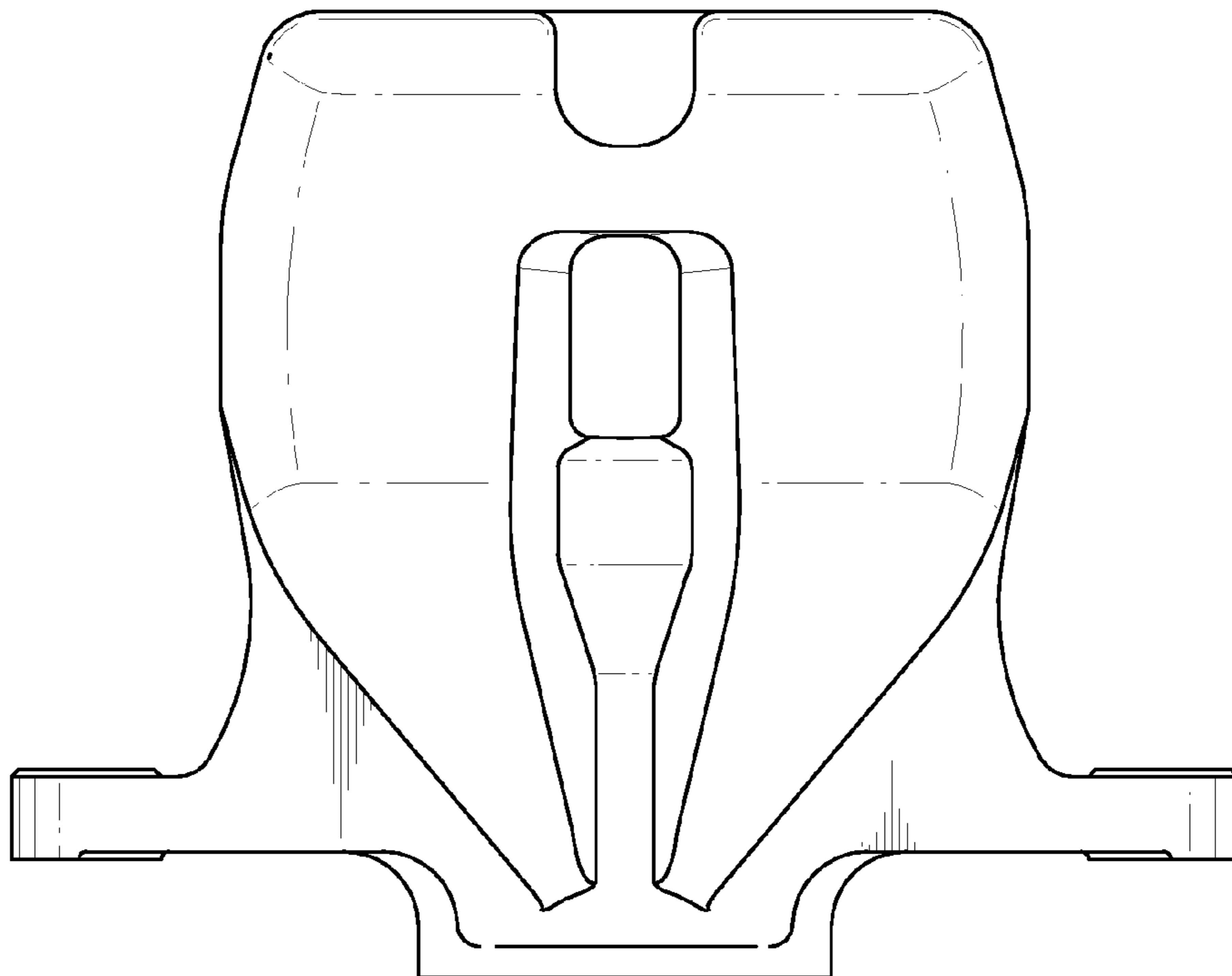


FIG. 3

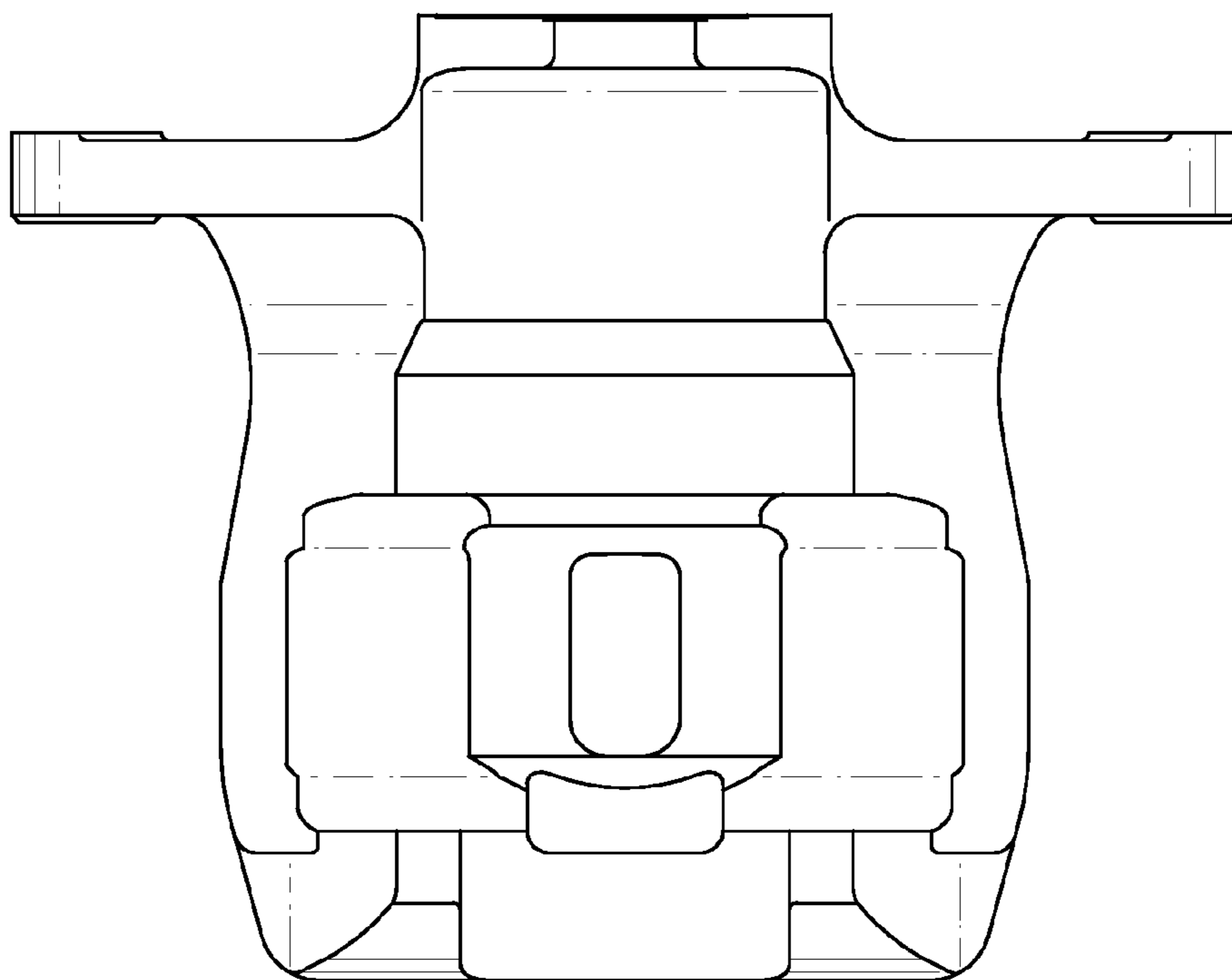
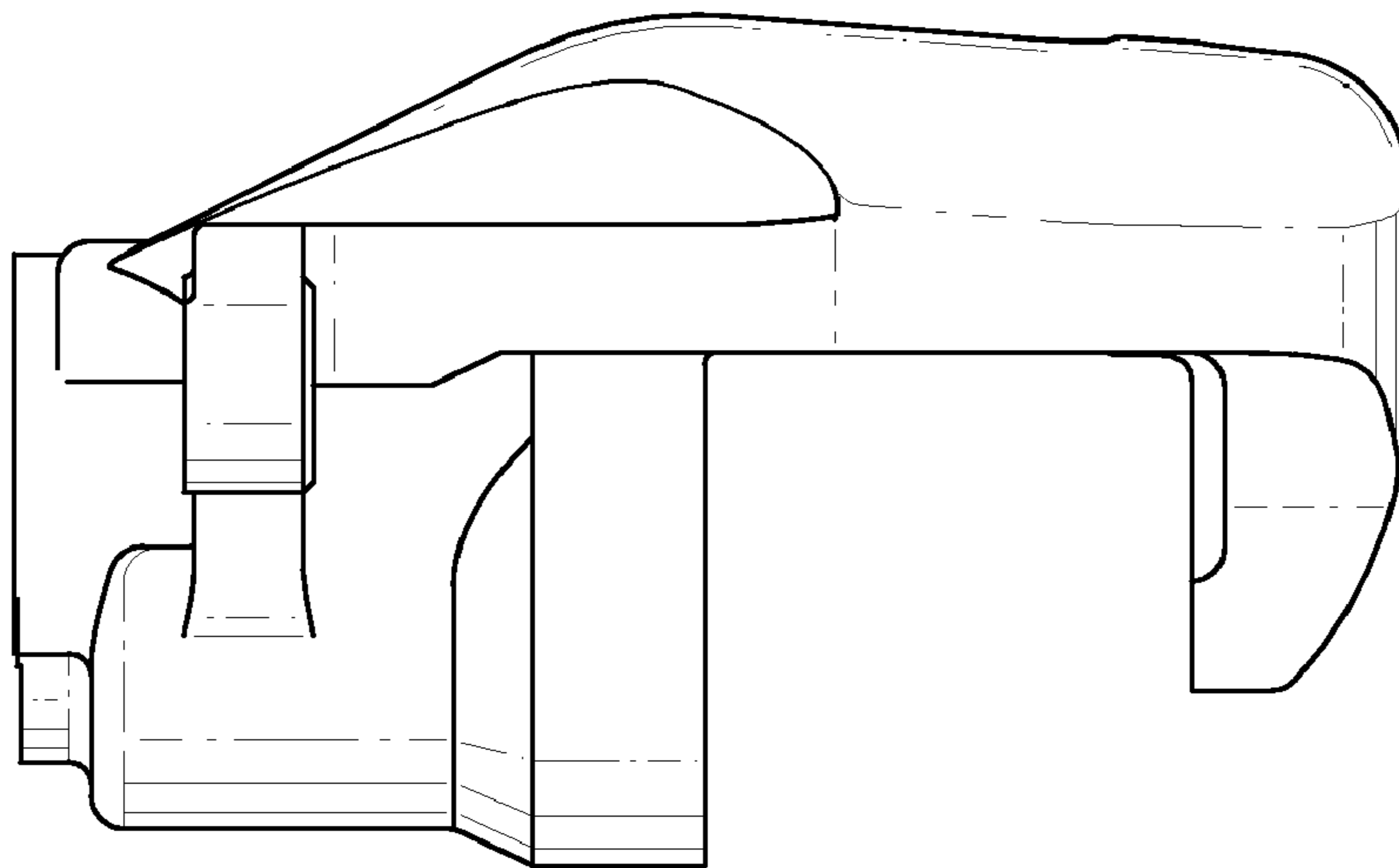
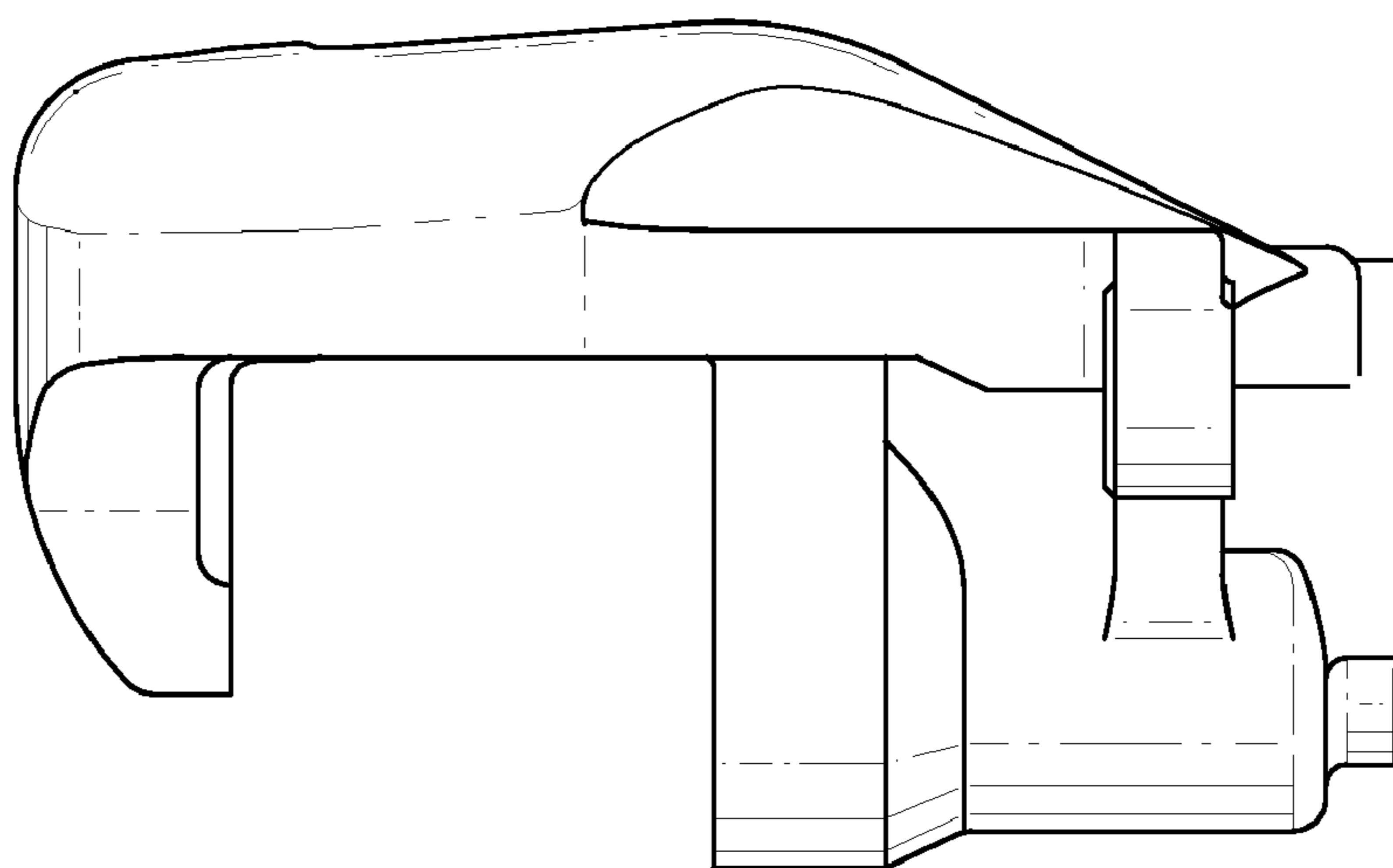


FIG. 4



*FIG. 5*



*FIG. 6*

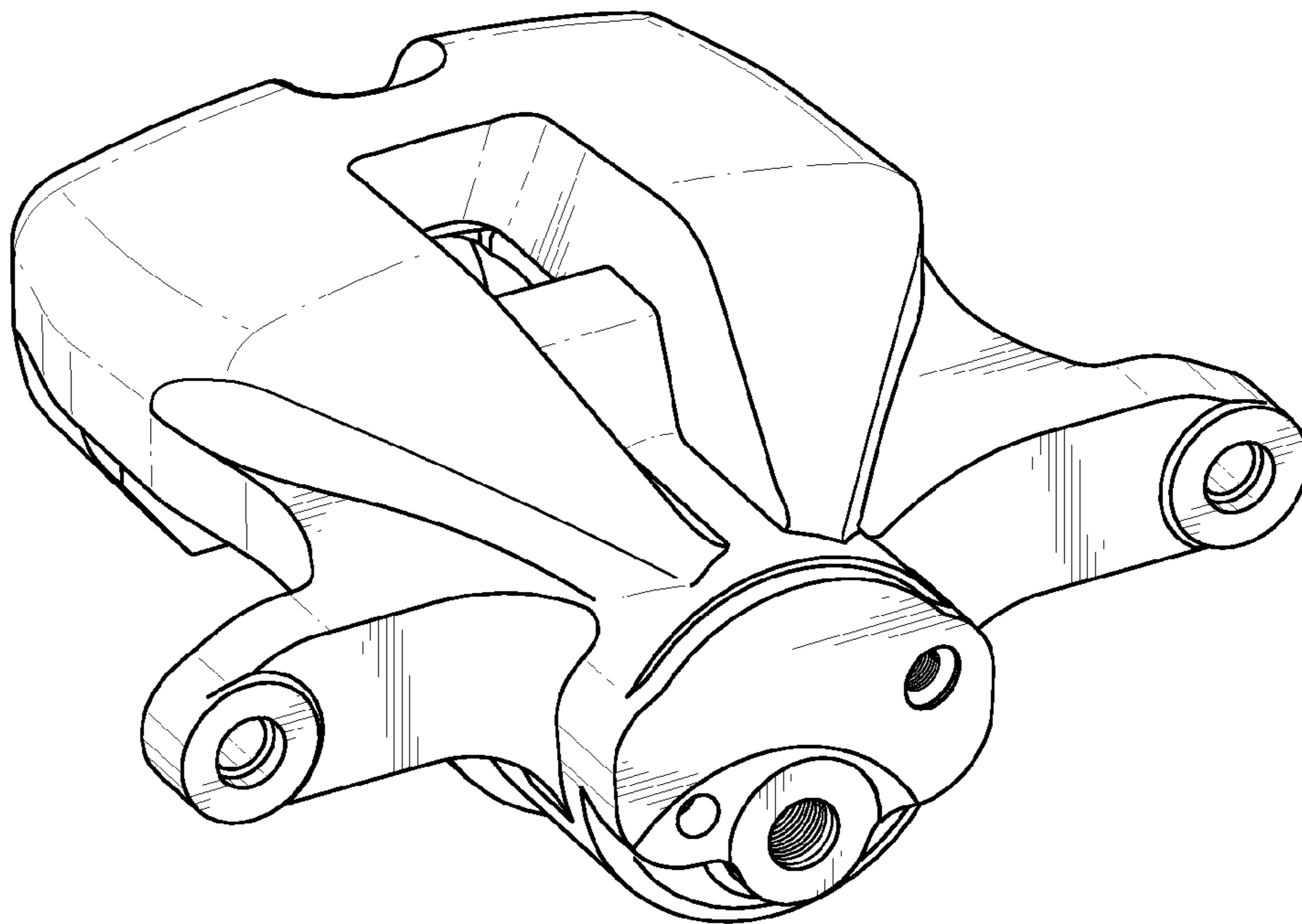


FIG. 7

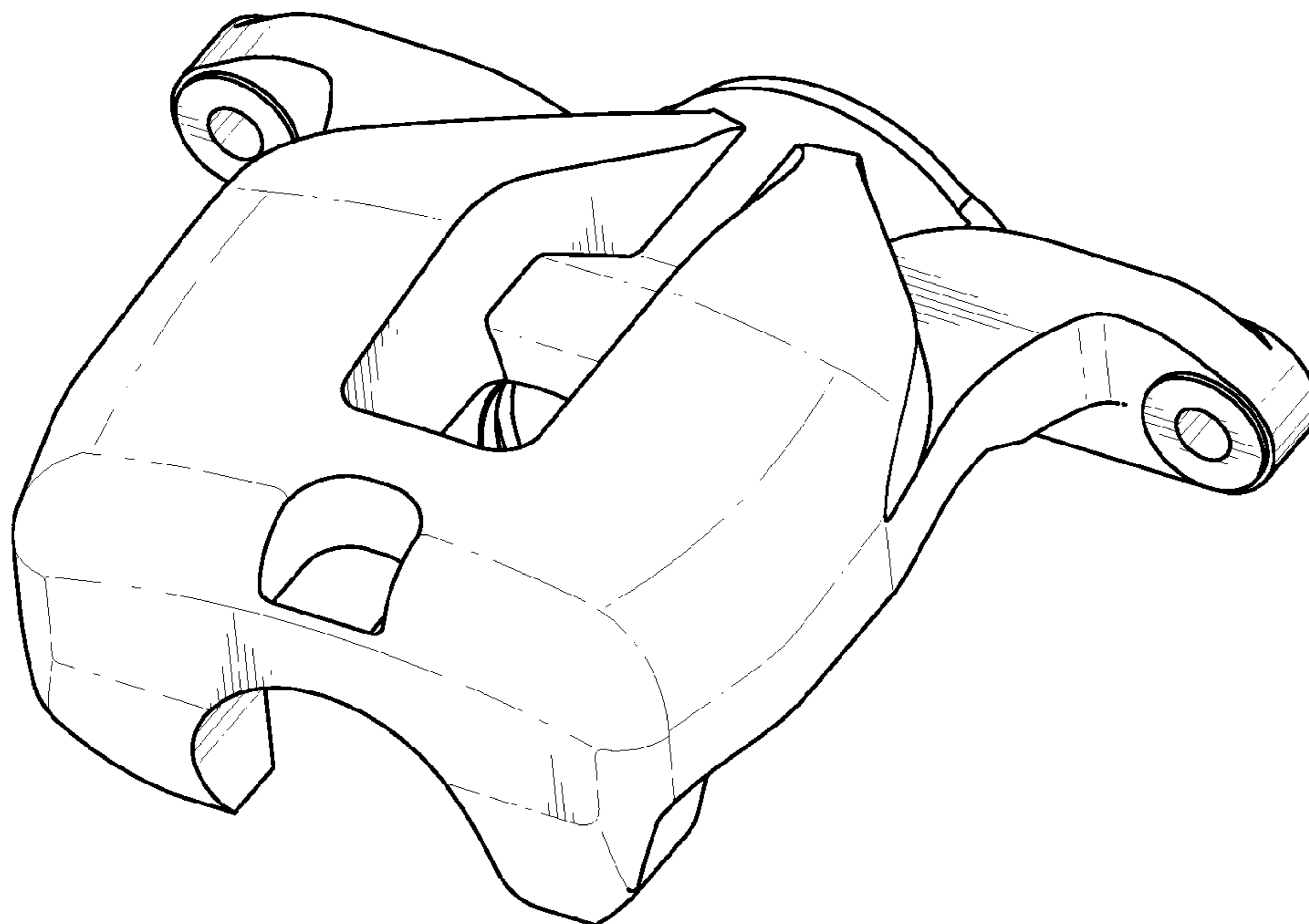


FIG. 8