



US00D560578S

(12) **United States Design Patent**
Prost-Fin et al.

(10) **Patent No.:** **US D560,578 S**
(45) **Date of Patent:** **** Jan. 29, 2008**

(54) **STEERING WHEEL**

EP 1 502 835 A1 2/2005

(75) Inventors: **Marc Prost-Fin**, Berlin (DE);
Friederike Keudel, Berlin (DE); **Delf Neumann**, Berlin (DE)

OTHER PUBLICATIONS

Automotive Steering Wheel Design, Car and Driver, Aug. 26, 2003, vol. 26, No. 16, p. 44.
Automotive Steering Wheel Design, Car and Driver, Sep. 26, 2004, Issue 18, p. 18.

(73) Assignee: **Takata-Petri AG**, Aschaffenburg (DE)

(**) Term: **14 Years**

* cited by examiner

(21) Appl. No.: **29/262,605**

Primary Examiner—Melody N. Brown
(74) *Attorney, Agent, or Firm*—Foley & Lardner LLP

(22) Filed: **Jul. 7, 2006**

(57) **CLAIM**

(30) **Foreign Application Priority Data**

May 9, 2006 (EP) 000 533 682

We claim the ornamental design for a steering wheel, as shown and described.

(51) **LOC (8) Cl.** **12-16**

DESCRIPTION

(52) **U.S. Cl.** **D12/176**

(58) **Field of Classification Search** D12/175-177;
74/552, 558, 558.5

FIG. 1 is a right-side and front perspective view of a steering wheel of the claimed design;

See application file for complete search history.

FIG. 2 is a front elevational view thereof;

(56) **References Cited**

U.S. PATENT DOCUMENTS

D521,426 S * 5/2006 Hoffmann D12/176

D532,351 S * 11/2006 Saito D12/176

D534,465 S * 1/2007 Wiedeman et al. D12/176

2005/0021190 A1 1/2005 Worrell et al.

FIG. 3 is a rear elevational view thereof;

FIG. 4 is a left side view thereof;

FIG. 5 is a right side view thereof;

FIG. 6 is top view thereof; and,

FIG. 7 is a bottom view thereof.

The broken lines in the drawings are for illustrative purposes only and form no part of the claimed design.

FOREIGN PATENT DOCUMENTS

DE 102 41 267 A1 3/2004

1 Claim, 4 Drawing Sheets

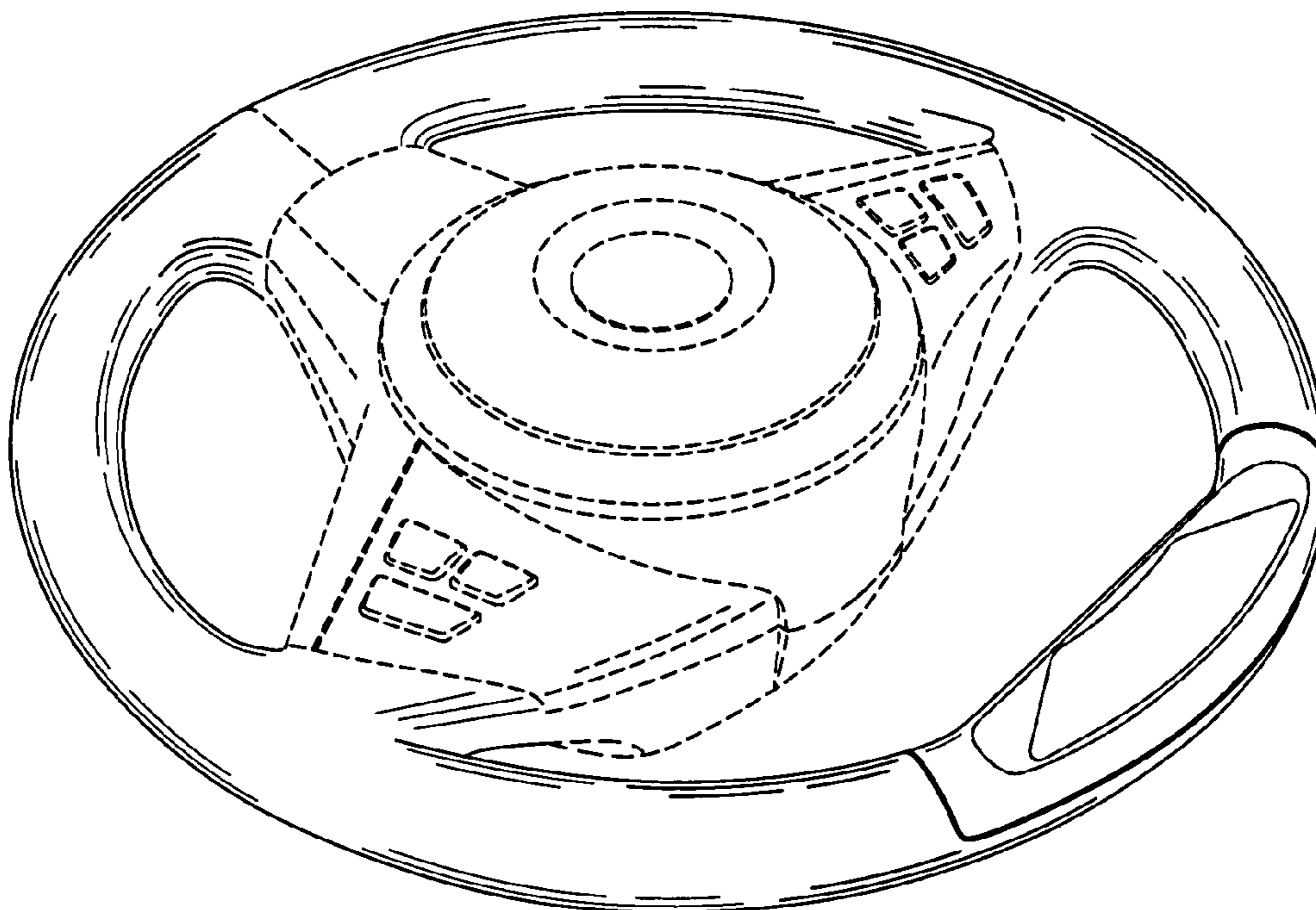


Fig. 1

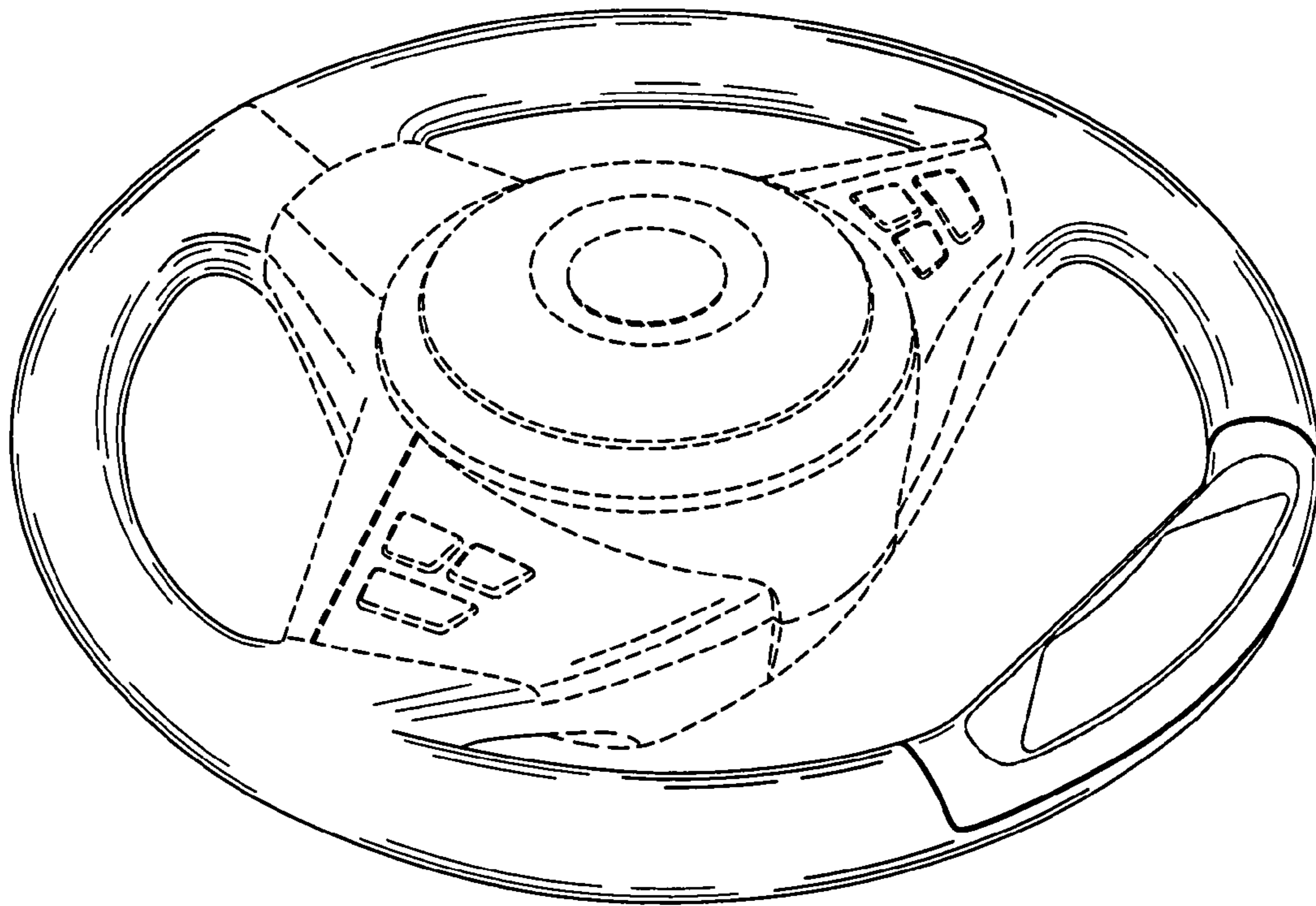


Fig. 3

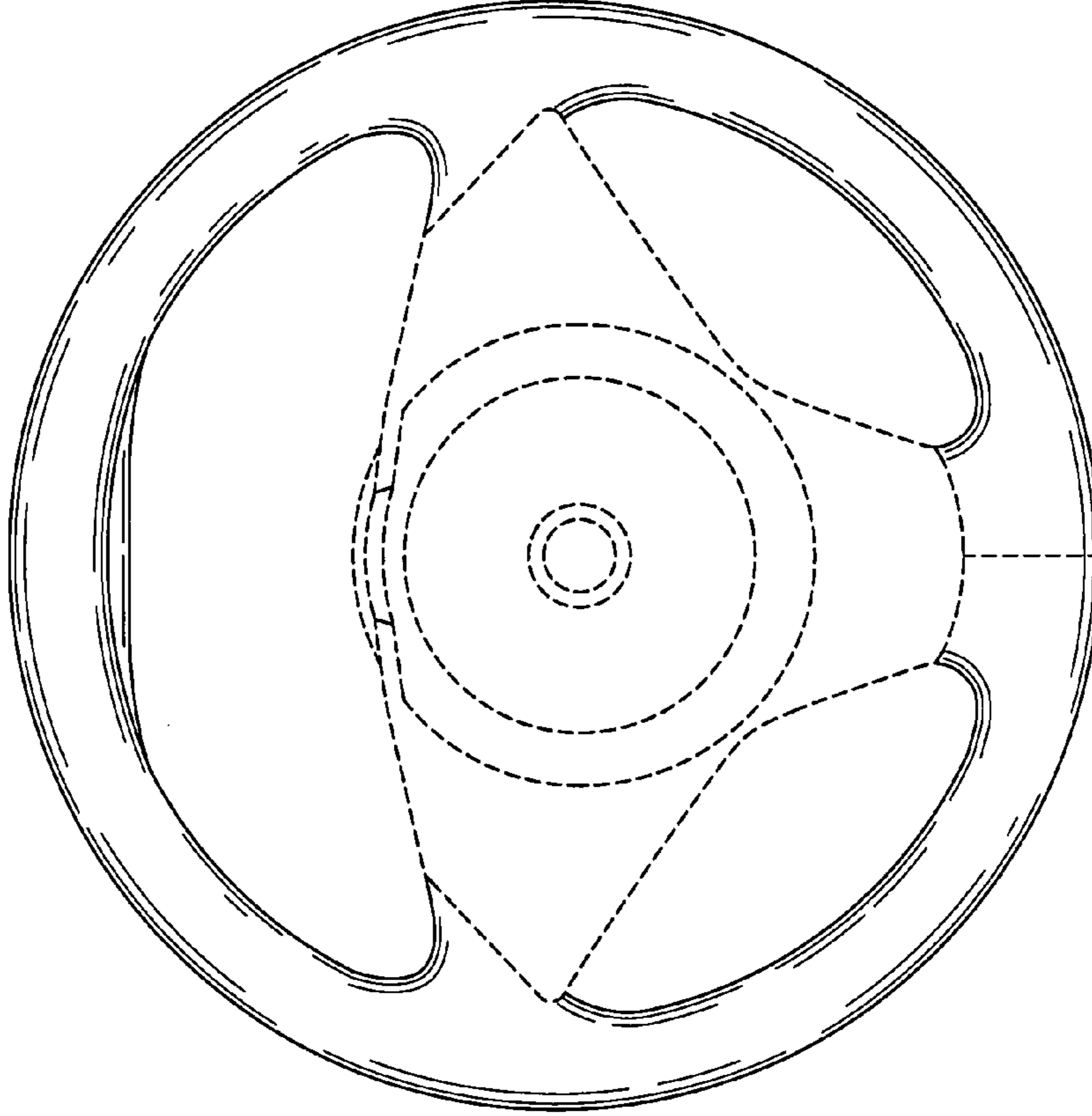


Fig. 2

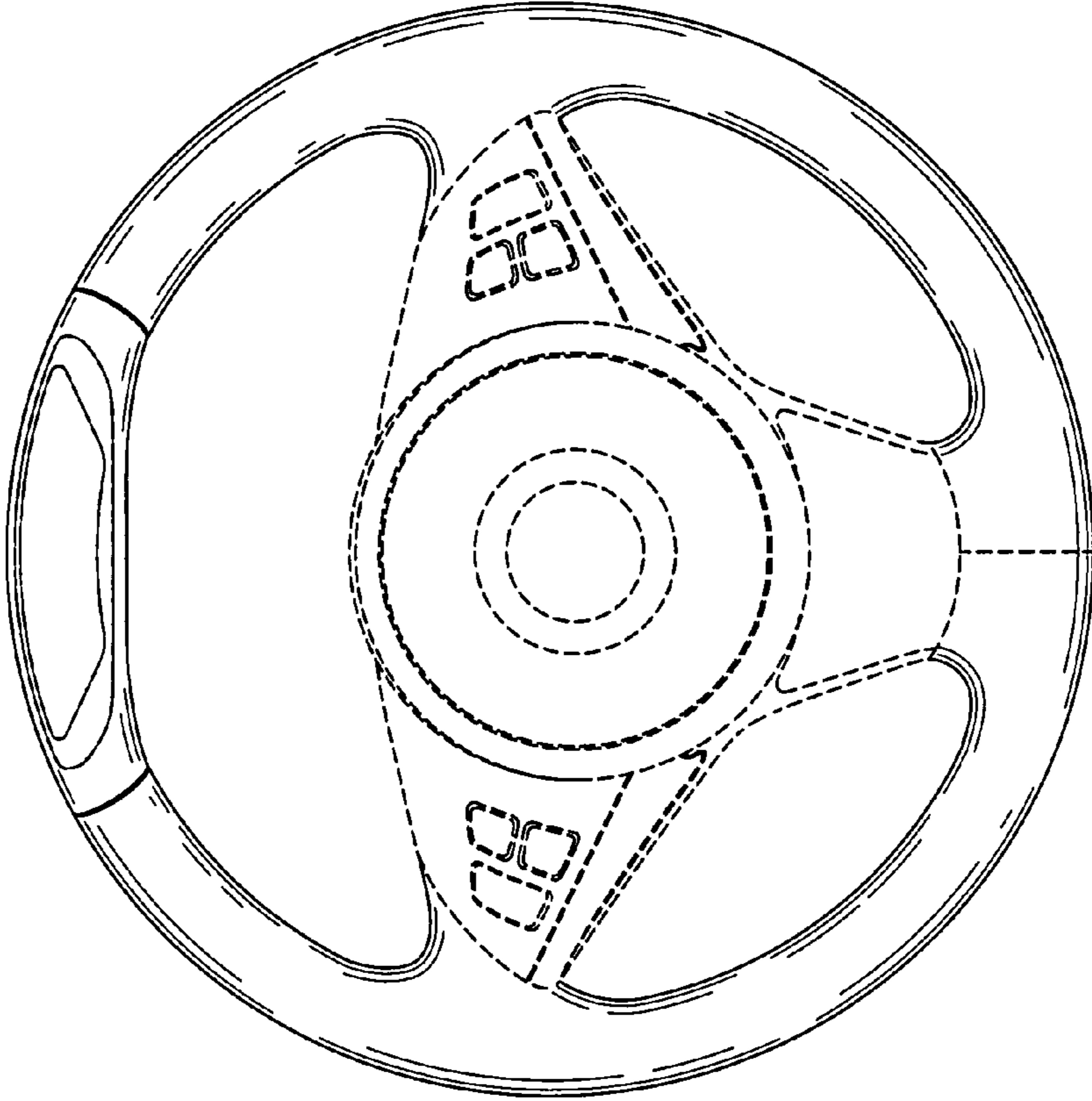


Fig. 5

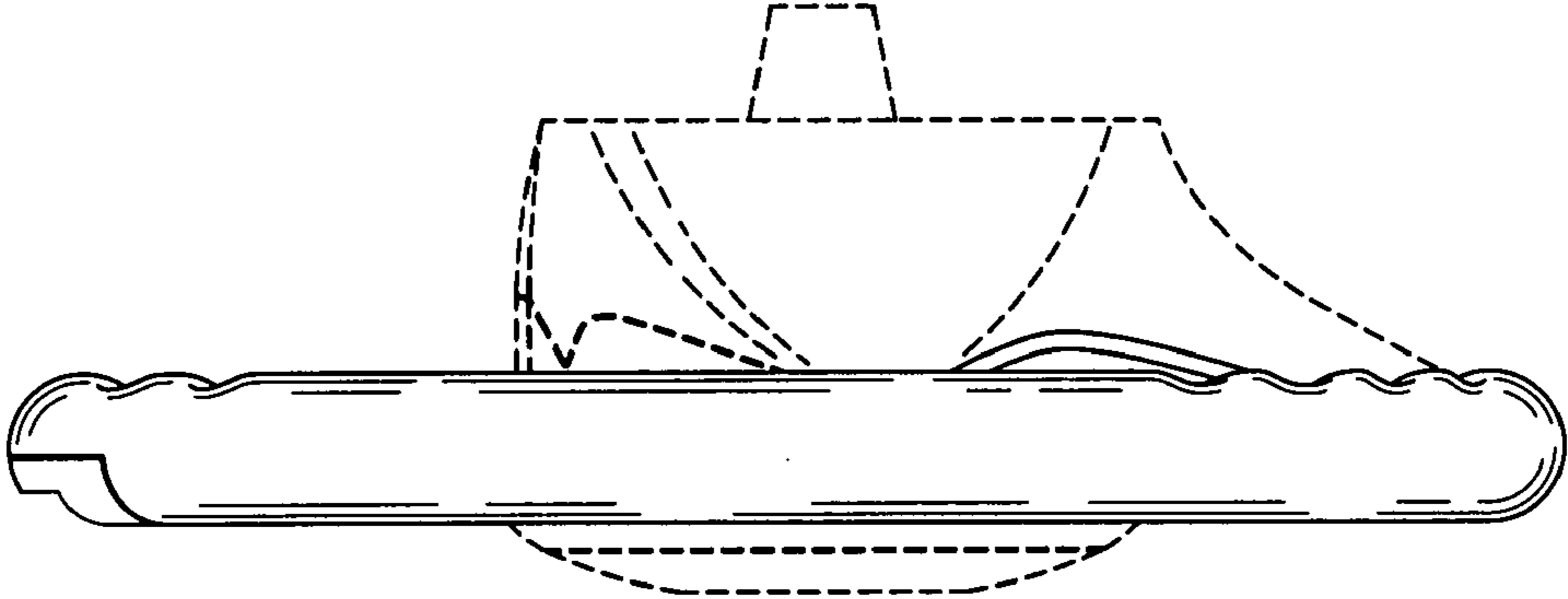


Fig. 4

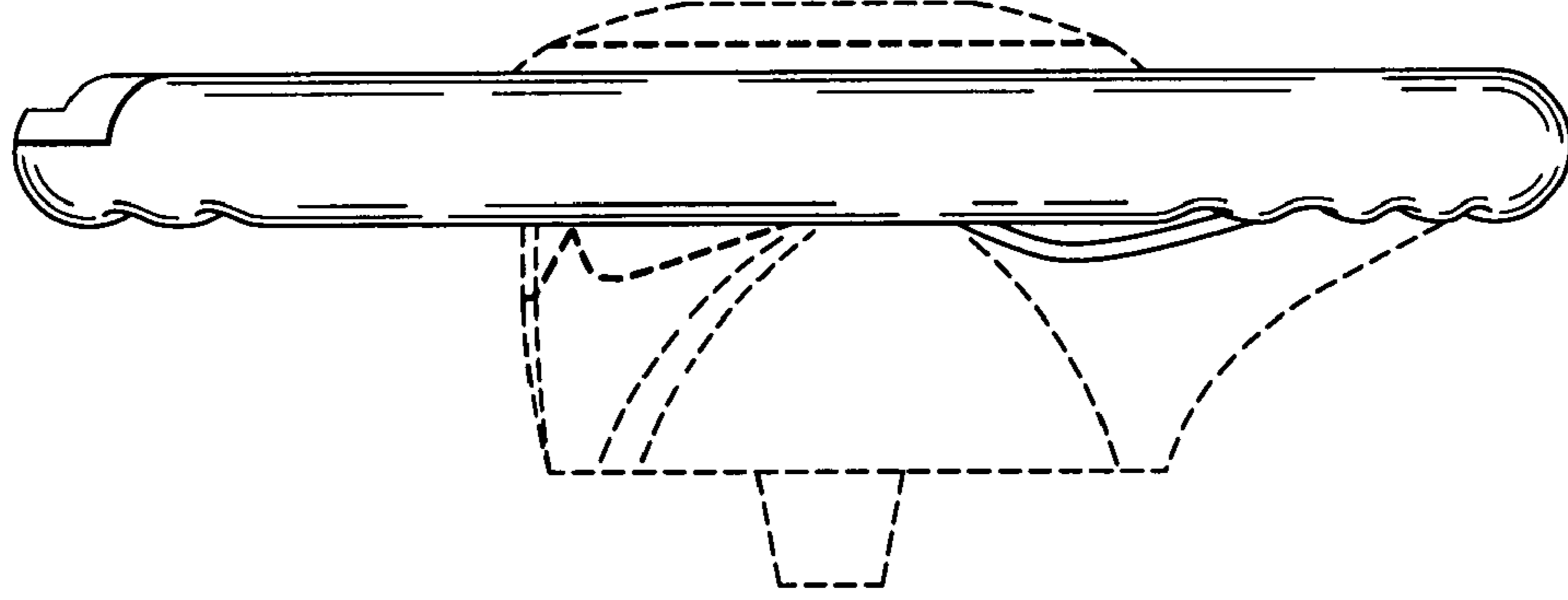


Fig. 7

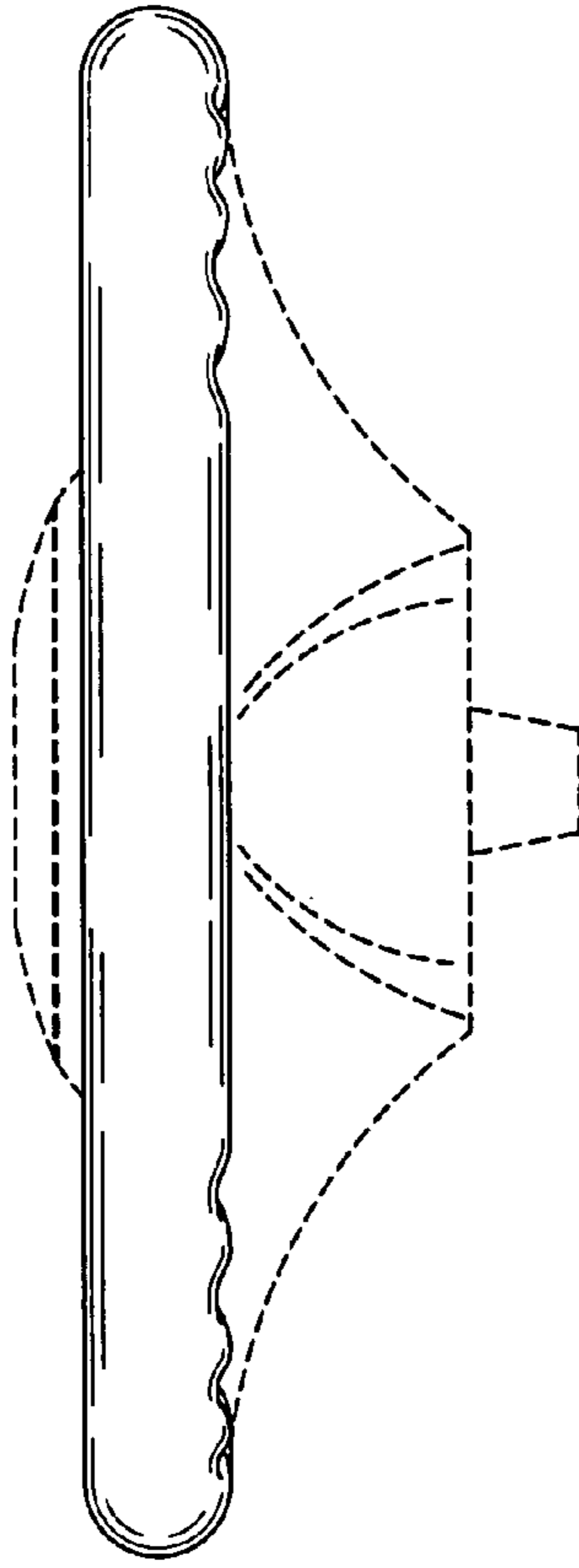


Fig. 6

