



US00D560575S

(12) **United States Design Patent** (10) **Patent No.:** **US D560,575 S**  
**Simons et al.** (45) **Date of Patent:** **\*\* \*Jan. 29, 2008**

(54) **TRUCK HOOD UNIT**

(75) Inventors: **Wayne K Simons**, Kent, WA (US); **F Erik Tuft**, Kenmore, WA (US); **Steven H Hovind**, Bellevue, WA (US); **Gerald Jay Angelo**, Bellevue, WA (US); **Wallace A Peltola**, Sammamish, WA (US); **Daniel R Kieffer**, Kirkland, WA (US)

(73) Assignee: **PACCAR Inc**, Bellevue, WA (US)

(\*\*) Term: **14 Years**

(21) Appl. No.: **29/238,131**

(22) Filed: **Sep. 12, 2005**

(51) **LOC (8) Cl.** ..... **12-16**

(52) **U.S. Cl.** ..... **D12/173**

(58) **Field of Classification Search** ..... D12/173,  
D12/96, 97; 180/69.2, 89.12, 89.13, 89.67,  
180/89.7; 296/184.1

See application file for complete search history.

(56) **References Cited**

**U.S. PATENT DOCUMENTS**

D291,872 S	9/1987	Simons et al.
D291,982 S	9/1987	Simons et al.
D307,731 S	5/1990	Kerney et al.
D308,032 S	5/1990	Kerney et al.
D312,805 S	12/1990	Marlowe et al.
D313,966 S	1/1991	Marlowe et al.
D320,583 S	10/1991	Simons et al.
D329,214 S	9/1992	Marlowe et al.
D366,638 S	1/1996	Tucker et al.
D382,841 S	8/1997	Norwood et al.

(Continued)

**OTHER PUBLICATIONS**

Kenworth Truck Company W900 brochure, Kirkland, Wash, 2005.

(Continued)

*Primary Examiner*—Melody N. Brown  
(74) *Attorney, Agent, or Firm*—Christensen O'Connor Johnson Kindness PLLC

(57) **CLAIM**

The ornamental design for a truck hood unit, as shown and described.

**DESCRIPTION**

FIG. 1 is a front perspective view of a truck hood unit showing a first embodiment of our new design;

FIG. 2 is a front elevational view of the truck hood unit of FIG. 1;

FIG. 3 is a rear elevational view of the truck hood unit of FIG. 1;

FIG. 4 is a top plan view of the truck hood unit of FIG. 1;

FIG. 5 is a bottom plan view of the truck hood unit of FIG. 1;

FIG. 6 is a right side elevational view of the truck hood unit of FIG. 1;

FIG. 7 is a left side elevational view of the truck hood unit of FIG. 1;

FIG. 8 is a front perspective view of a truck hood unit showing a second embodiment of our new design;

FIG. 9 is a front elevational view of the truck hood unit of FIG. 8;

FIG. 10 is a rear elevational view of the truck hood unit of FIG. 8;

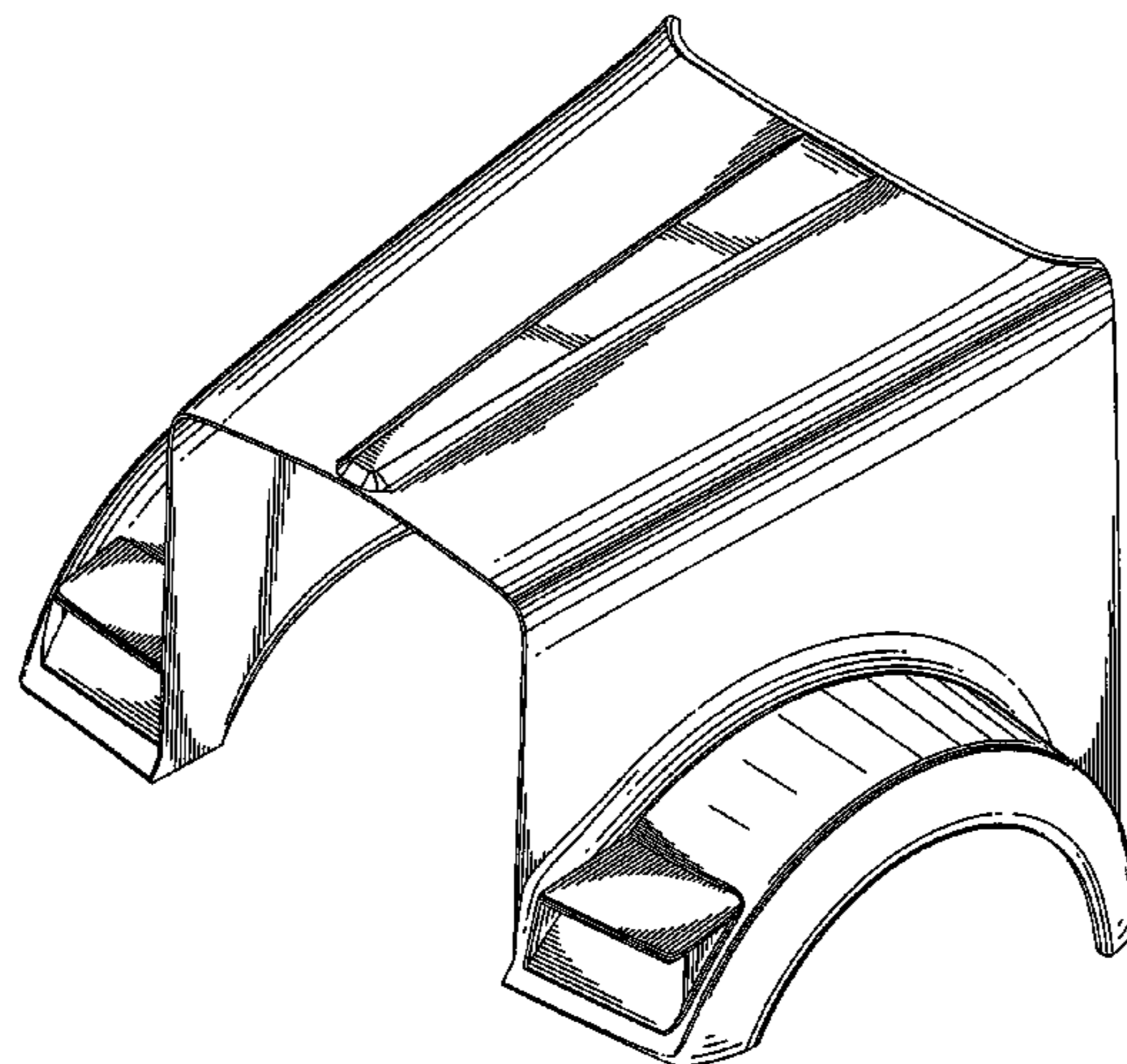
FIG. 11 is a top plan view of the truck hood unit of FIG. 8;

FIG. 12 is a bottom plan view of the truck hood unit of FIG. 8;

FIG. 13 is a right side elevational view of the truck hood unit of FIG. 8; and,

FIG. 14 is a left side elevational view of the truck hood unit of FIG. 8.

**1 Claim, 12 Drawing Sheets**



# US D560,575 S

Page 2

## U.S. PATENT DOCUMENTS

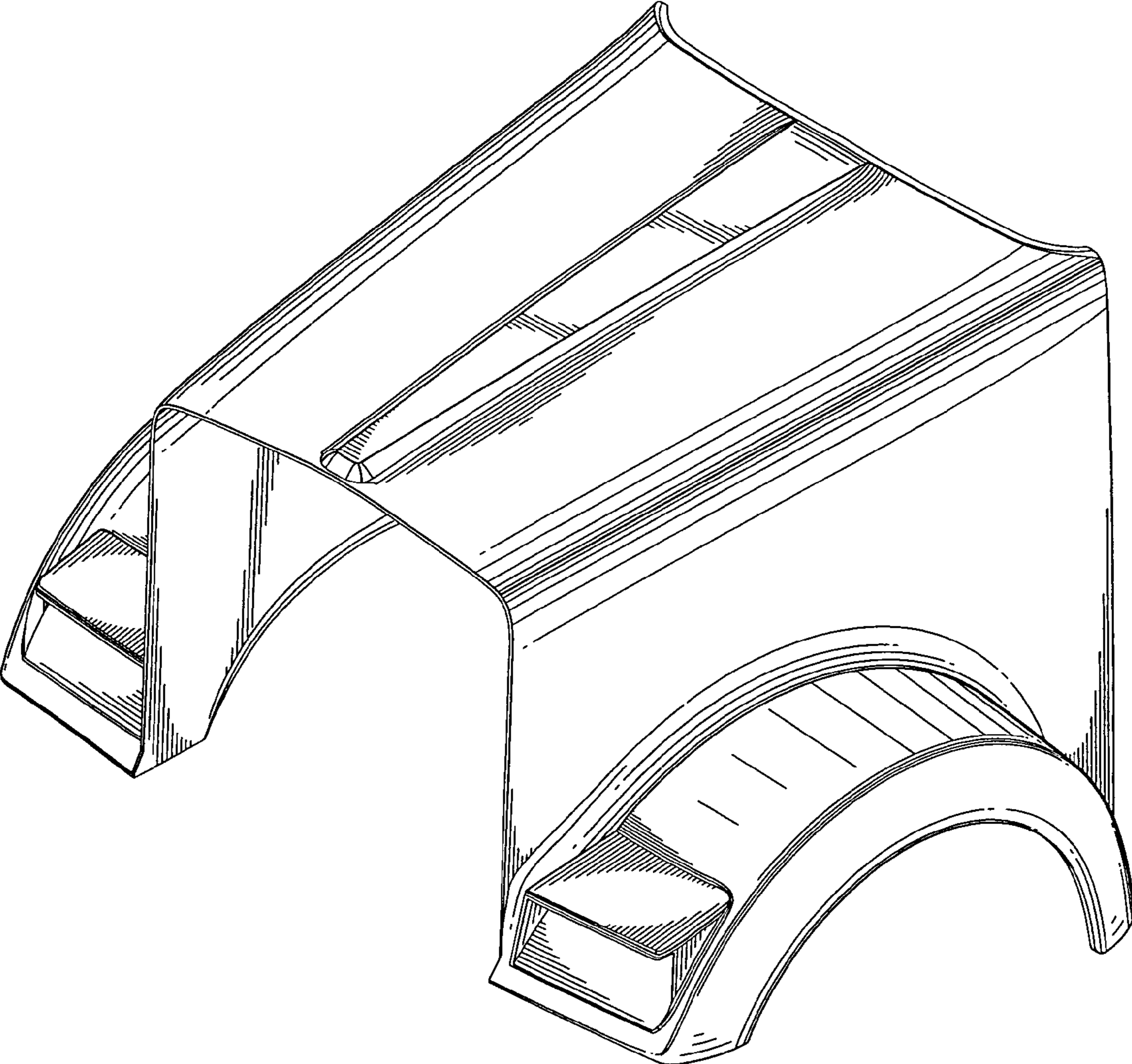
D384,019 S 9/1997 Meryman et al.  
D395,860 S 7/1998 Meryman et al.  
D403,636 S 1/1999 Meryman et al.  
D411,140 S 6/1999 Meryman et al.  
D411,494 S 6/1999 Meryman et al.  
D412,689 S \* 8/1999 Onopa ..... D12/173  
D422,251 S 4/2000 Bader et al.  
D423,990 S 5/2000 Meryman et al.  
D424,489 S 5/2000 Damon et al.  
D425,450 S 5/2000 Barraclough et al.  
D431,806 S 10/2000 Damon et al.  
D433,981 S 11/2000 Davis et al.  
D434,347 S 11/2000 Damon et al.  
D435,816 S 1/2001 Delashaw et al.  
D436,563 S 1/2001 Delashaw et al.  
D436,894 S 1/2001 Barraclough et al.  
D437,258 S 2/2001 Meryman et al.  
D437,570 S 2/2001 Meryman et al.  
D446,175 S 8/2001 Hoyle, Jr.  
D460,023 S 7/2002 Beigel  
D465,749 S 11/2002 Beigel  
D466,450 S 12/2002 Maher et al.  
D475,657 S 6/2003 Wong et al.  
D478,300 S 8/2003 Chiang  
D484,077 S 12/2003 Conway et al.

D488,112 S \* 4/2004 Satou ..... D12/173  
D490,749 S 6/2004 Satou et al.  
D492,921 S \* 7/2004 Perfetti et al. .... D12/173  
D494,900 S \* 8/2004 Satou ..... D12/173  
D497,581 S 10/2004 Conway et al.  
D502,901 S 3/2005 Delashaw et al.  
D504,642 S \* 5/2005 Perfetti et al. .... D12/173  
D514,483 S 2/2006 Chiang  
D518,761 S 4/2006 Chiang

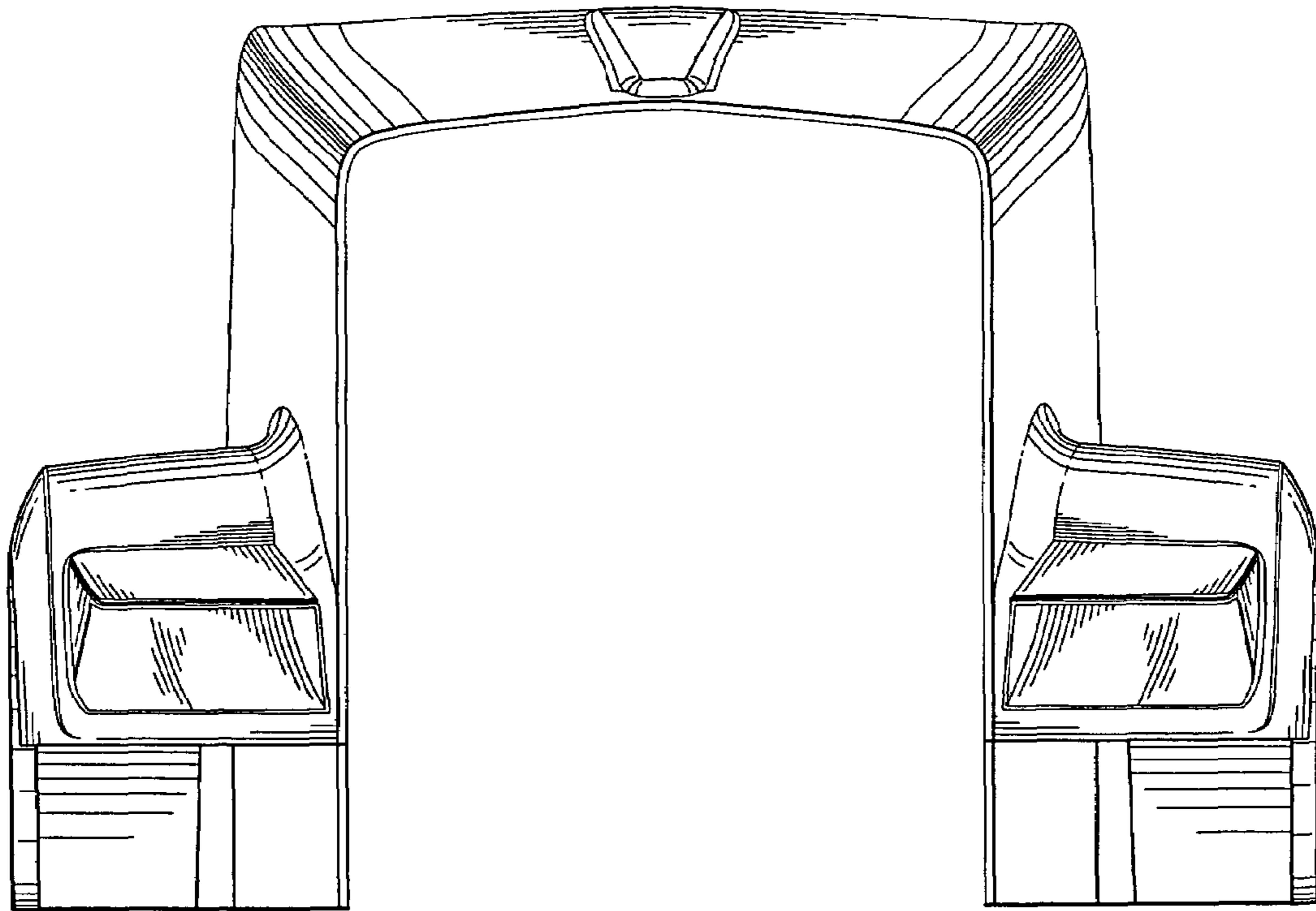
## OTHER PUBLICATIONS

Kenworth Truck Company W900 brochure, Kirkland, Wash, 2002.  
Kenworth Truck Company W900 brochure, Kirkland, Wash, 1996.  
Kenworth Truck Company T2000 brochure, Kirkland, Wash, 2005.  
Kenworth Truck Company T2000 brochure, Kirkland, Wash, 2002.  
Kenworth Truck Company T800 brochure, Kirkland, Wash, 2005.  
Kenworth Truck Company T800 brochure, Kirkland, Wash, 2003.  
Kenworth Truck Company T800 brochure, Kirkland, Wash, 2002.  
Kenworth Truck Company T600 brochure, Kirkland, Wash, 2005.  
Kenworth Truck Company T600 brochure, Kirkland, Wash, 2002.  
Kenworth Truck Company T600 brochure, Kirkland, Wash, 1996.  
Kenworth Truck Company T300 brochure, Kirkland, Wash, 2005.  
Kenworth Truck Company T300 brochure, Kirkland, Wash, 2001.

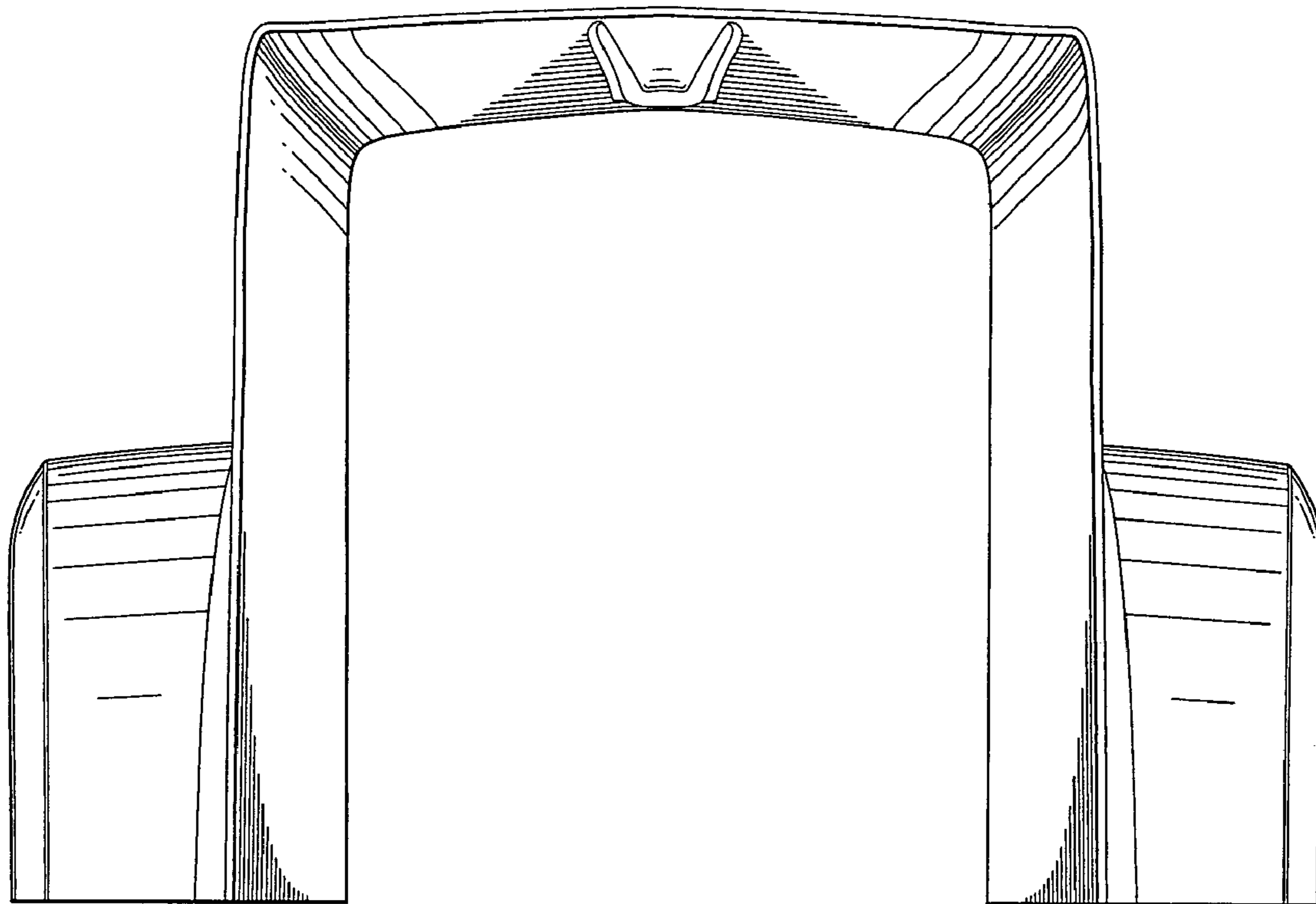
\* cited by examiner



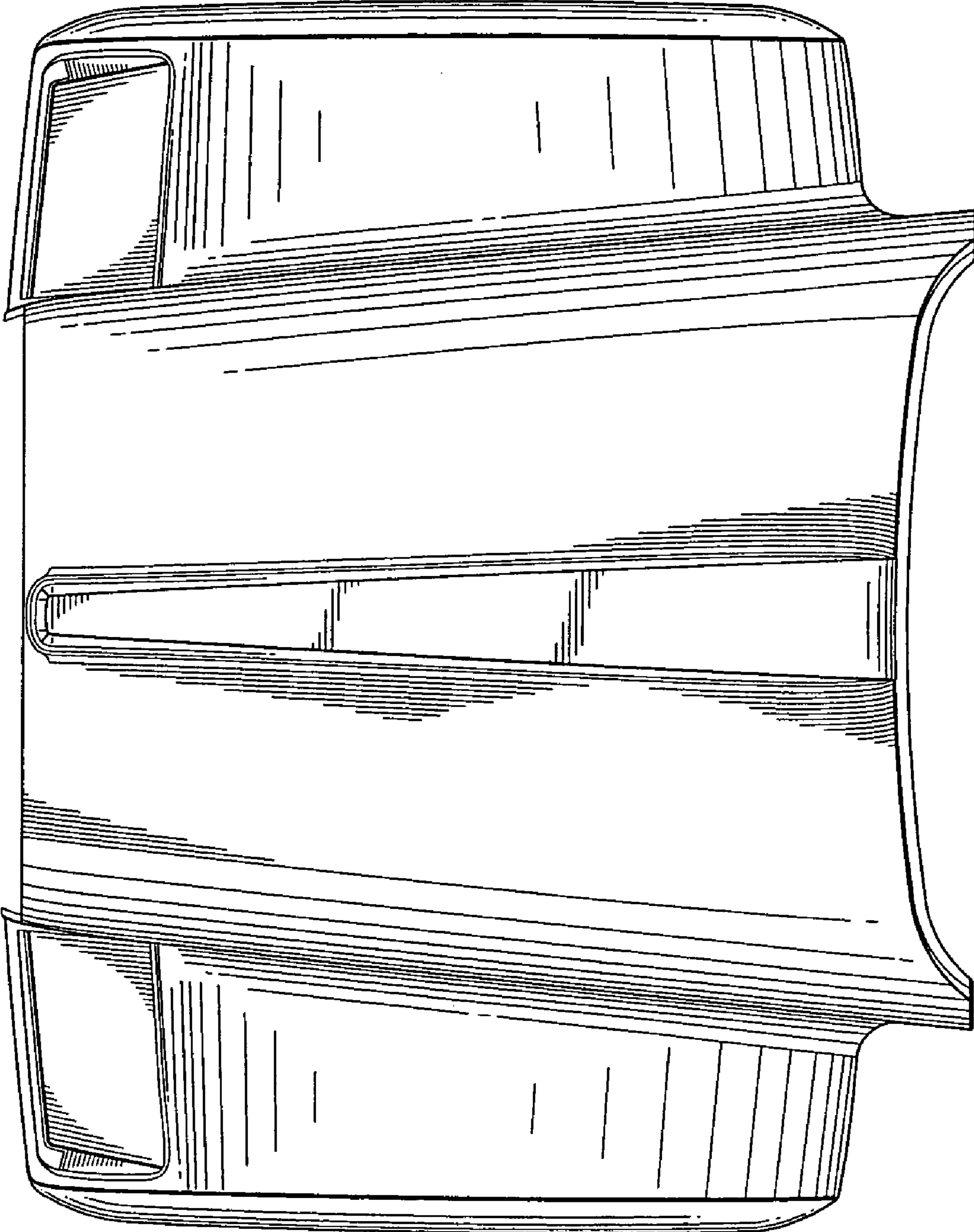
*Fig.1.*



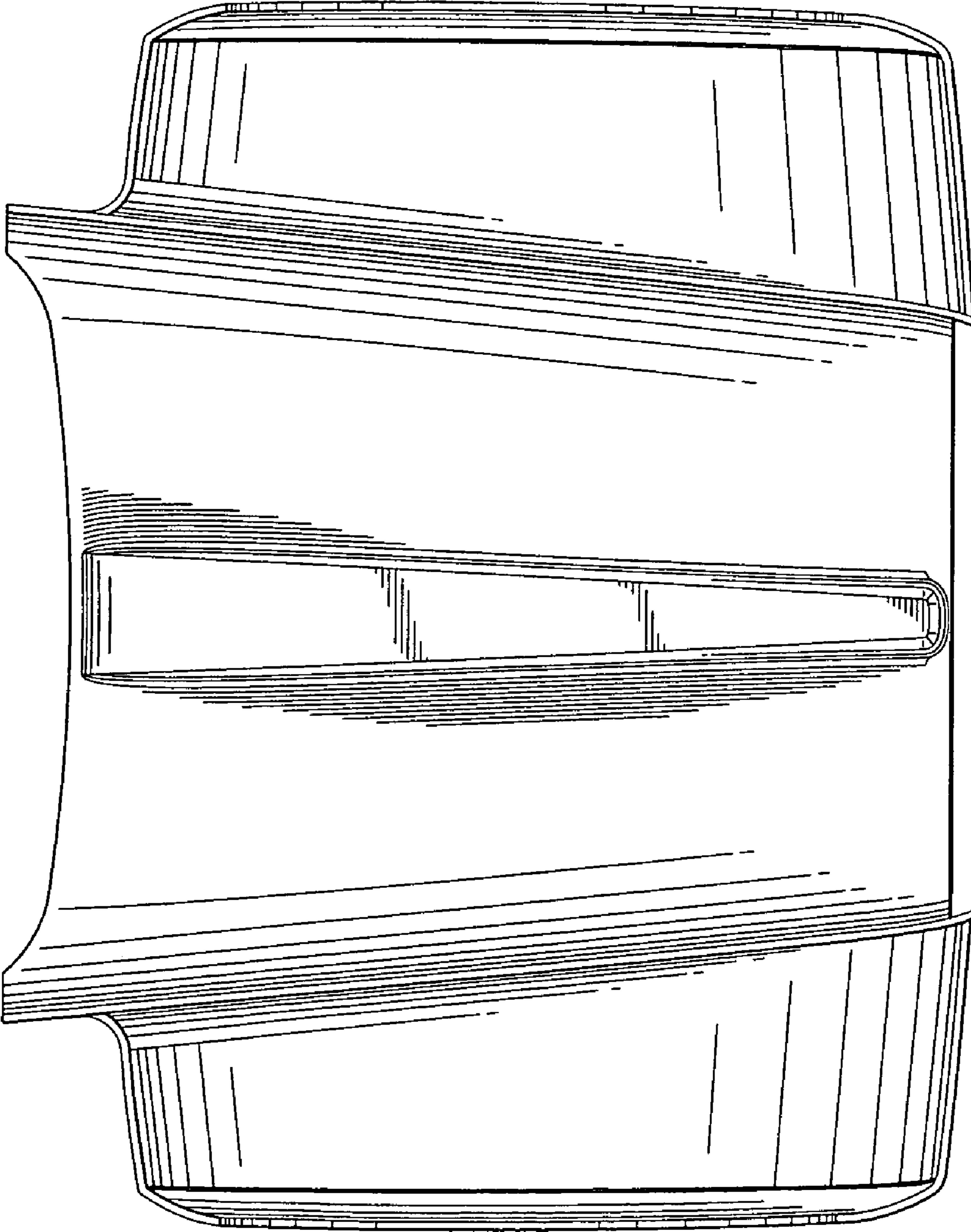
*Fig. 2.*



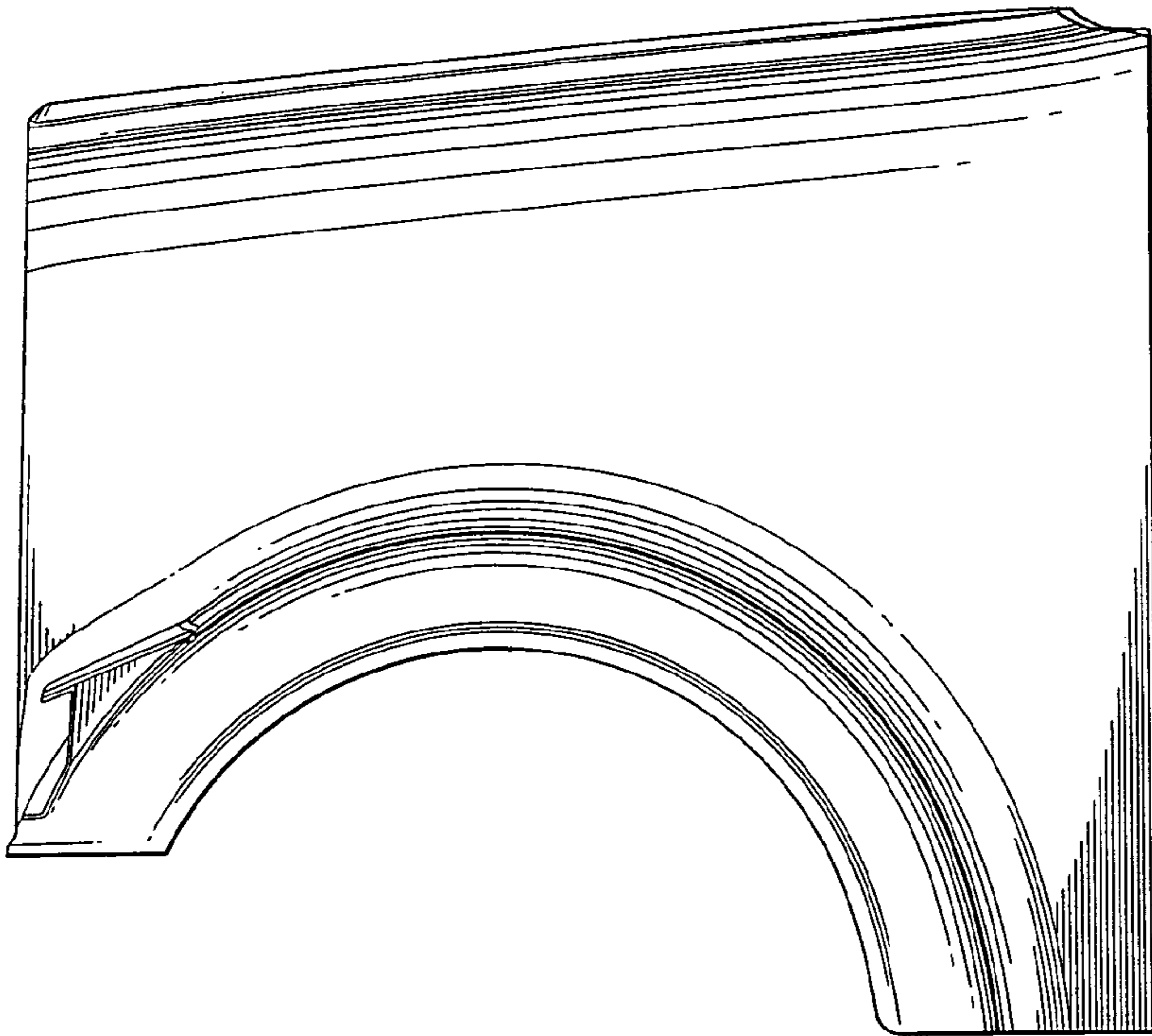
*Fig. 3.*



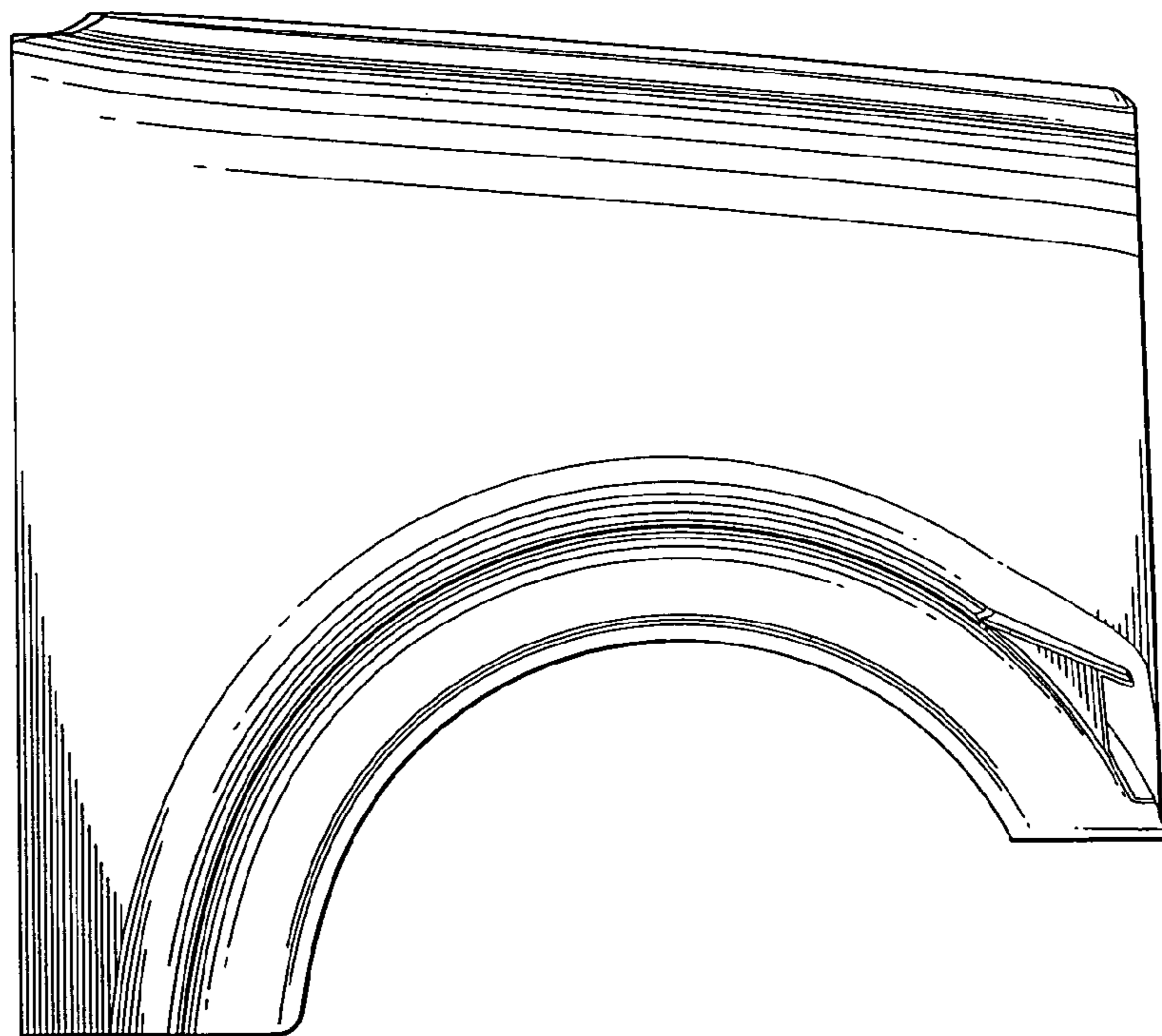
*Fig. 4.*



*Fig. 5.*

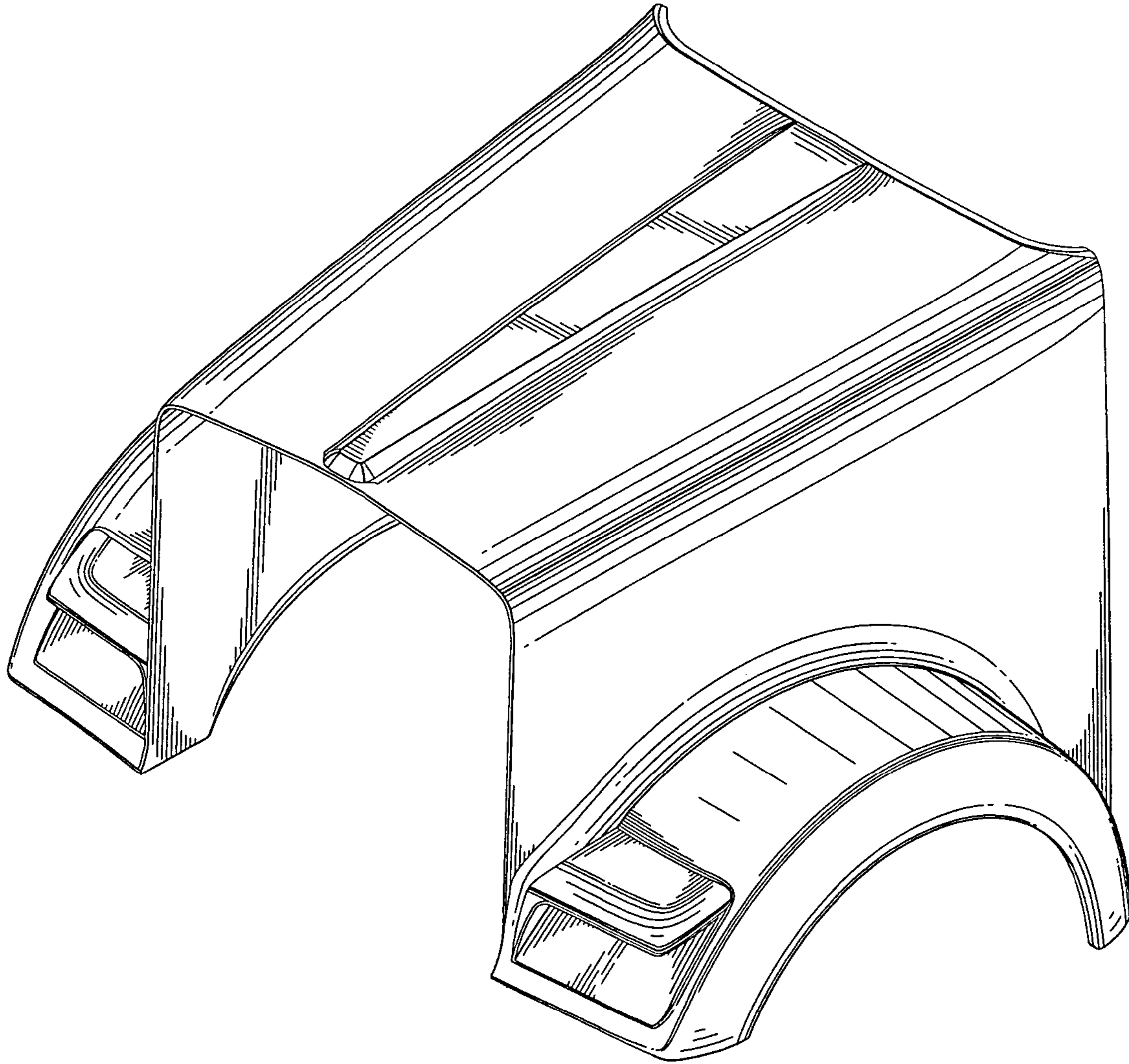


*Fig. 6.*

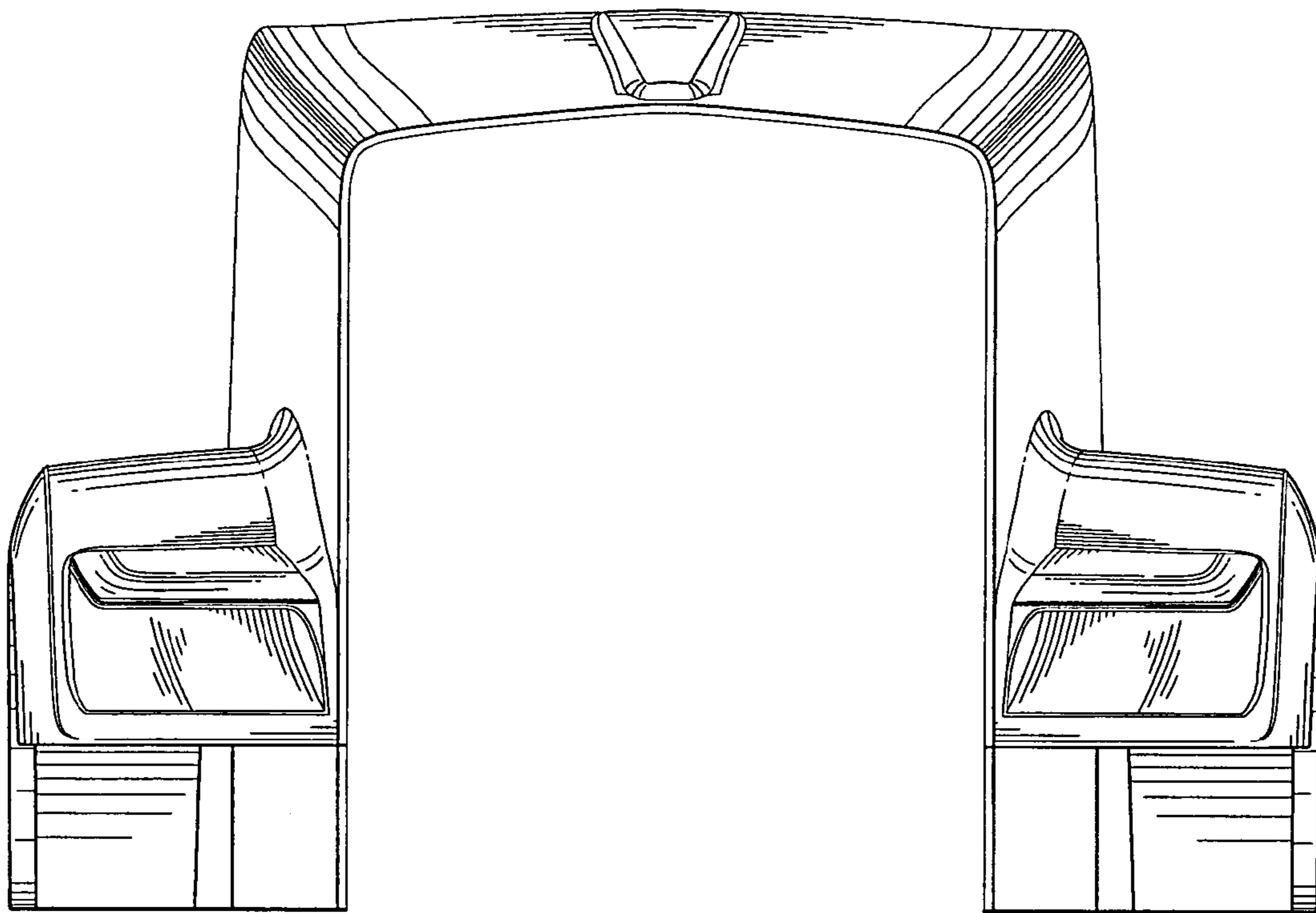


*Fig. 7.*

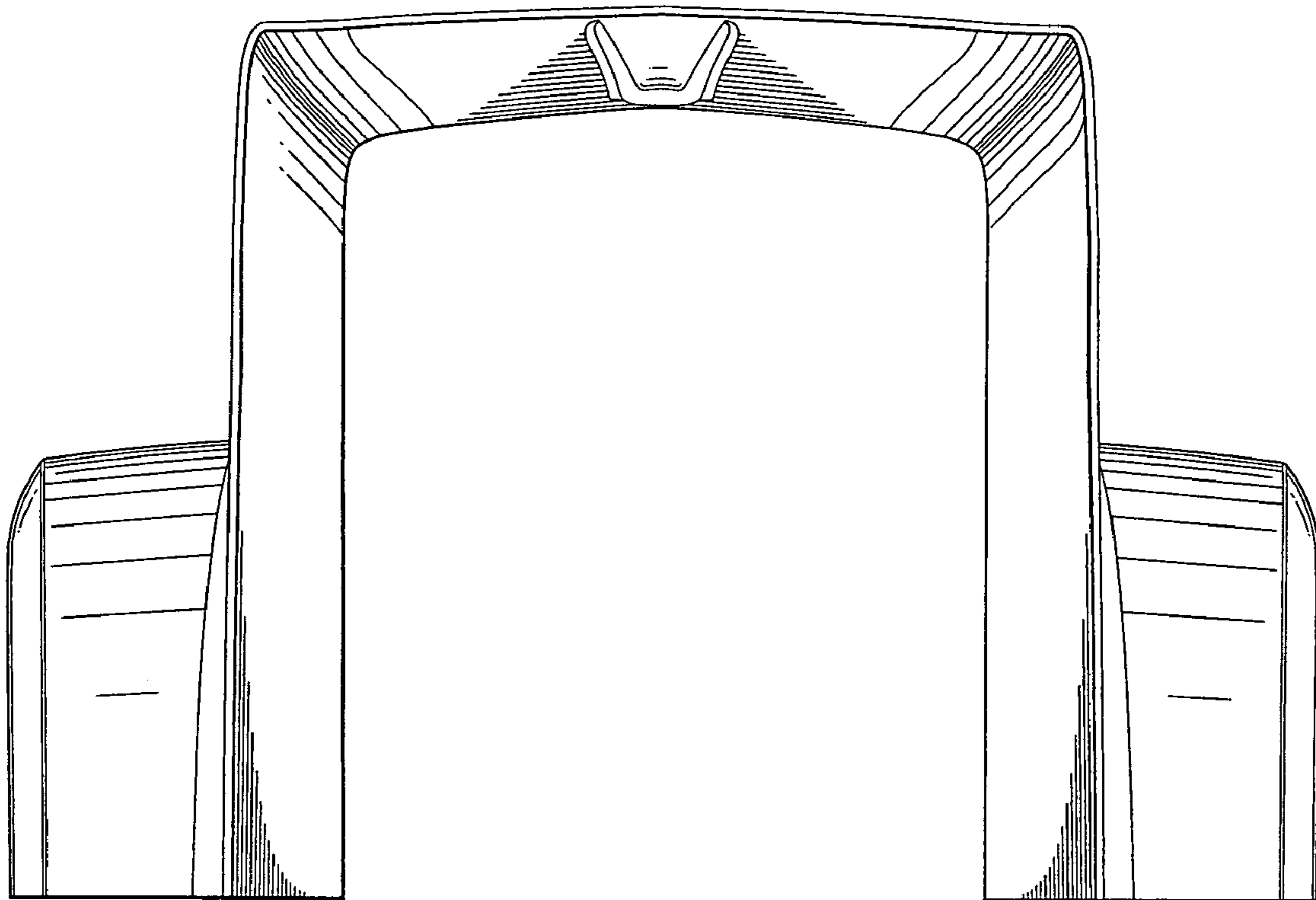




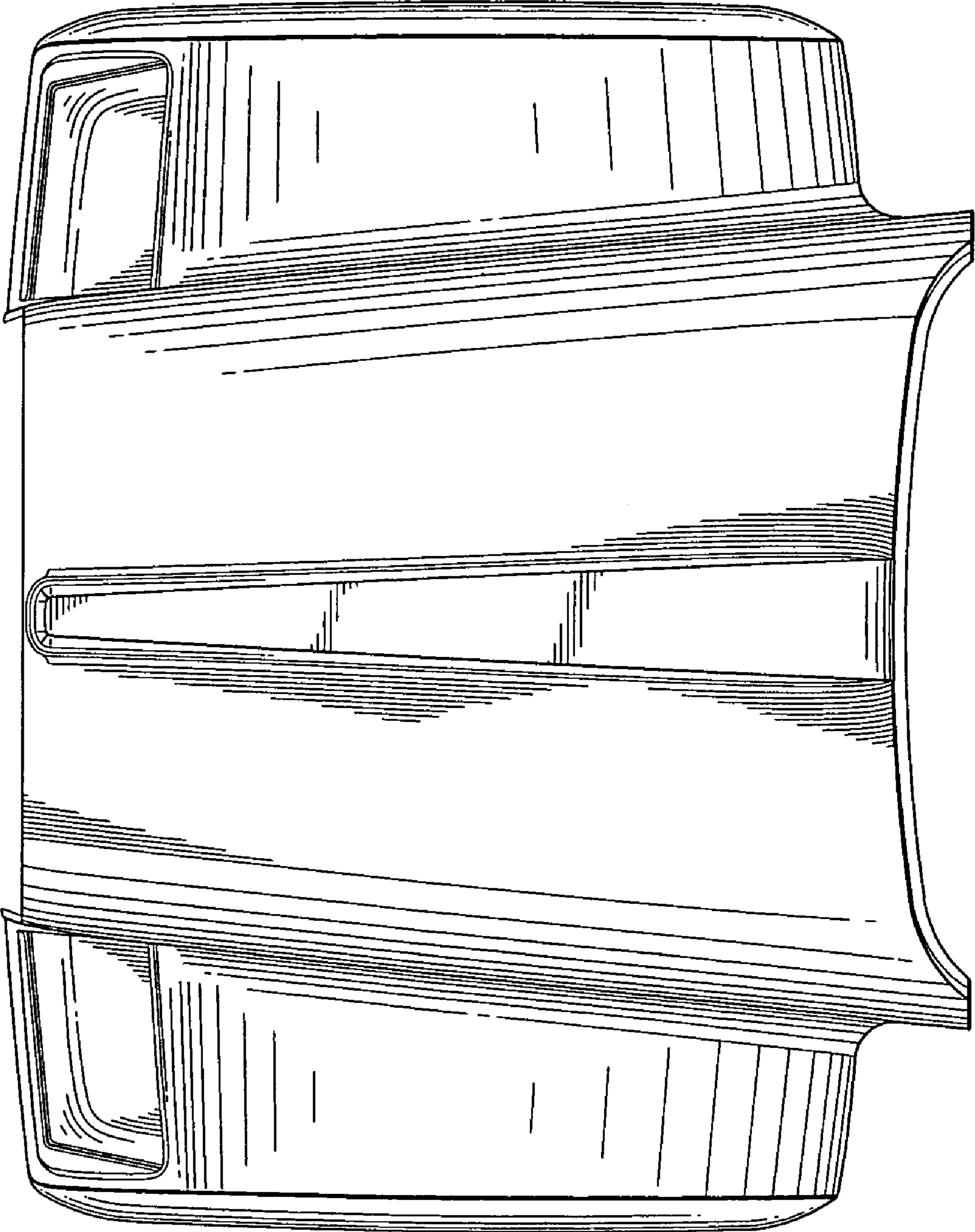
*Fig. 8.*



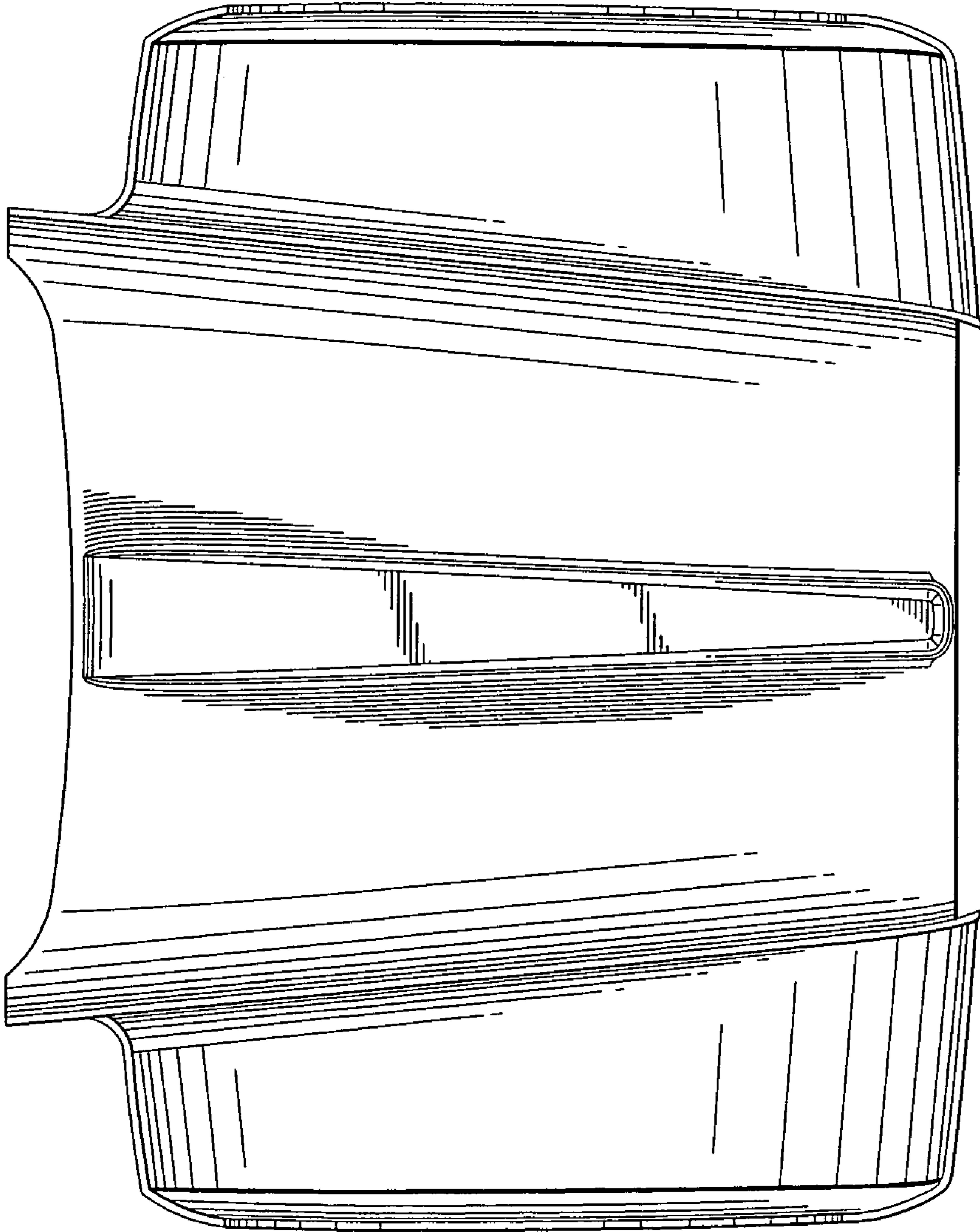
*Fig. 9.*



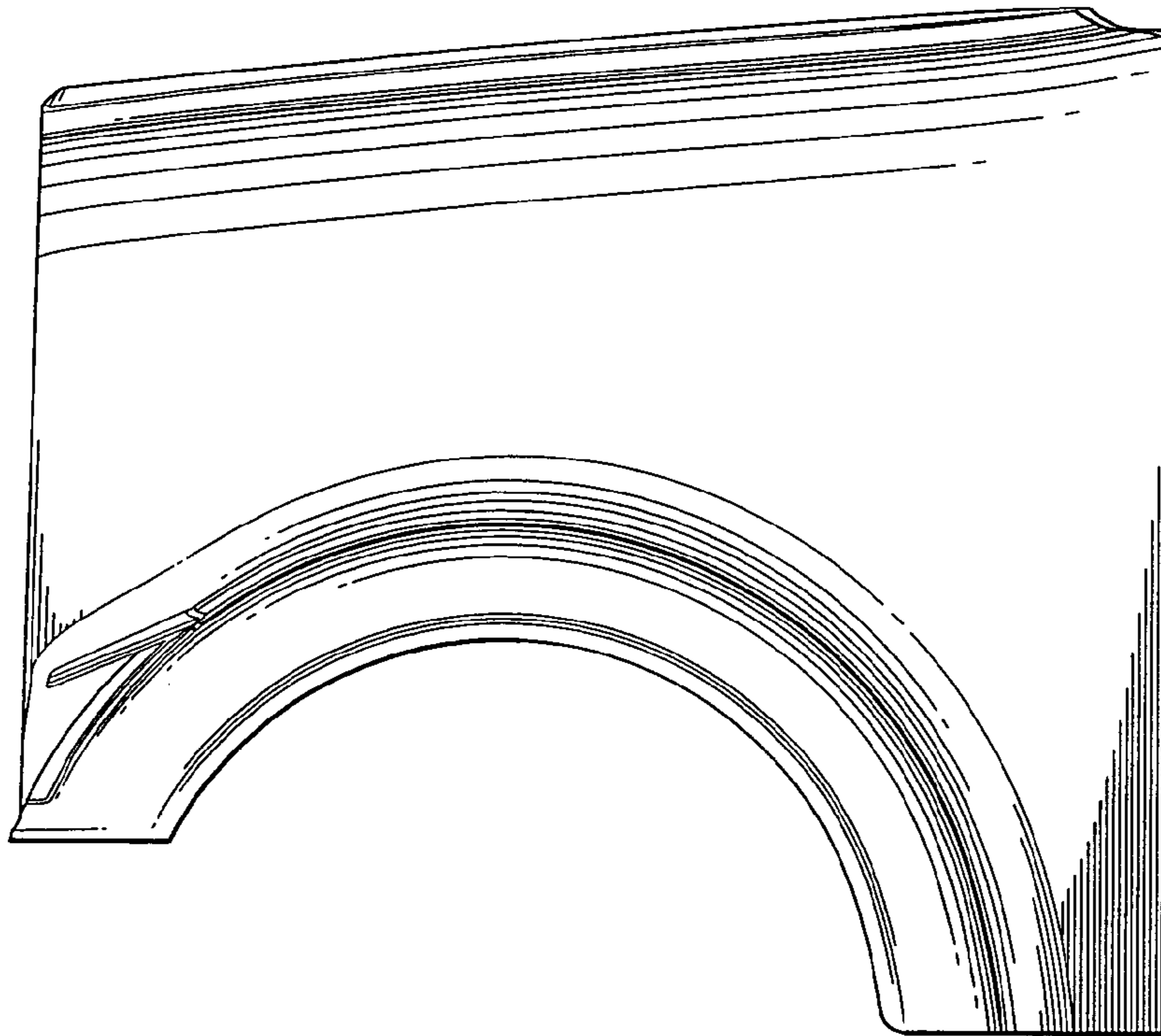
*Fig. 10.*



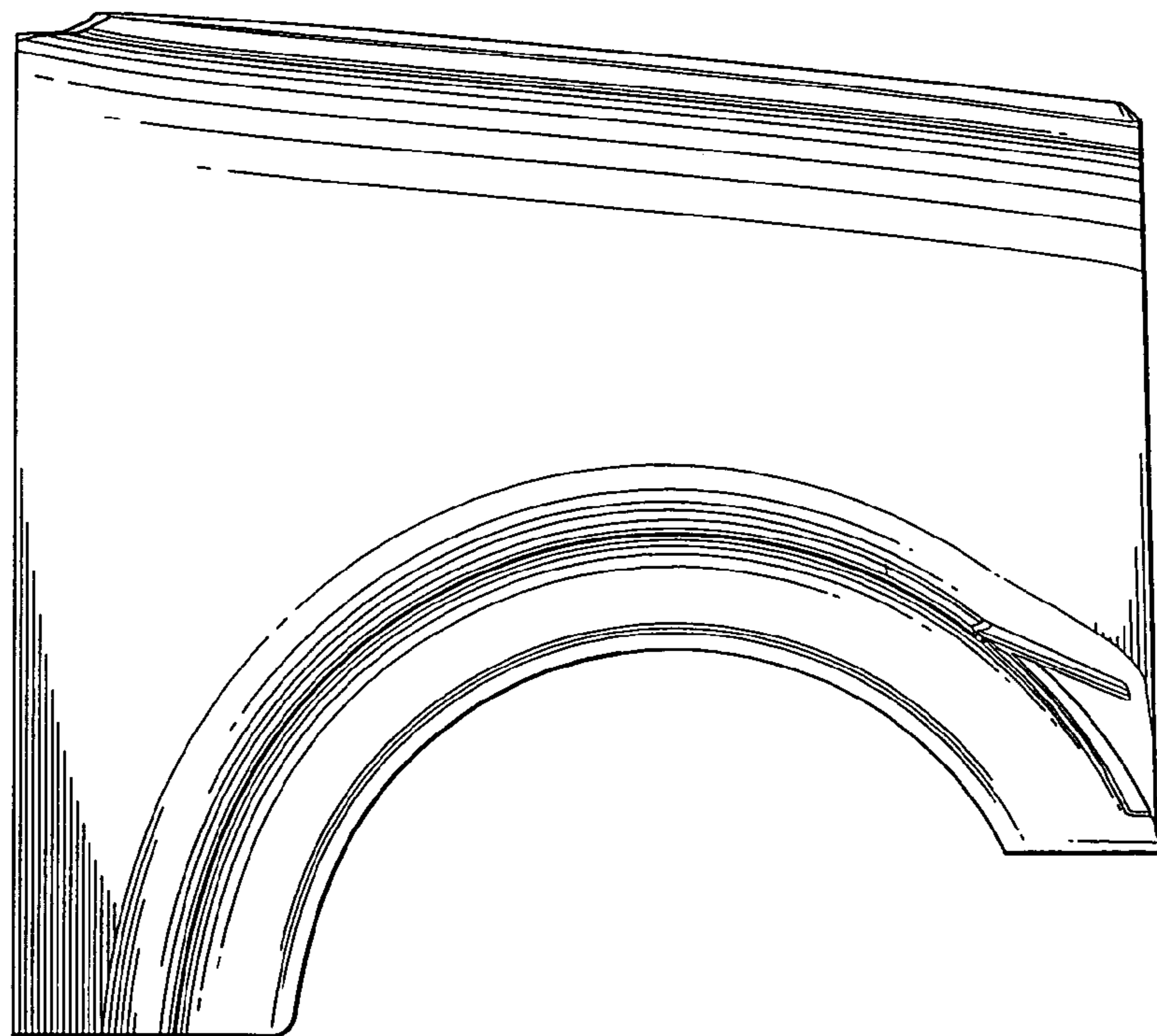
*Fig. 11.*



*Fig. 12.*



*Fig. 13.*



*Fig. 14.*