

US00D560567S

(12) **United States Design Patent** (10) **Patent No.:** **US D560,567 S**
Tant et al. (45) **Date of Patent:** **** Jan. 29, 2008**

(54) **VEHICLE GRILLE**

(74) *Attorney, Agent, or Firm*—Damian Porcari

(75) Inventors: **Sean W Tant**, Livonia, MI (US);
George Bucher, Dearborn, MI (US);
Jeff Sanders, Allen Park, MI (US);
Michael Smith, Plymouth, MI (US)

(57) **CLAIM**

The ornamental design for a vehicle grille, as shown and described.

(73) Assignee: **Ford Global Technologies, LLC**,
Dearborn, MI (US)

DESCRIPTION

(**) Term: **14 Years**

FIG. 1 is a front elevational view of a vehicle grille showing our new design;

(21) Appl. No.: **29/250,657**

FIG. 2 is an enlarged right side elevational view thereof;

(22) Filed: **Nov. 27, 2006**

FIG. 3 is an enlarged left side elevational view thereof;

(51) **LOC (8) Cl.** **12-16**

FIG. 4 is a top plan view thereof;

(52) **U.S. Cl.** **D12/163**

FIG. 5 is a bottom plan view thereof;

(58) **Field of Classification Search** D12/163,
D12/171, 90-92, 216, 169, 196; 180/68.1,
180/68.6; 296/193.11; 293/102, 113, 115
See application file for complete search history.

FIG. 6 is a cross sectional view taken along the line 6—6 in FIG. 1; and,

FIG. 7 is a rear elevational view thereof.

(56) **References Cited**

The vehicle grille is styled independently of adjacent vehicle panels. To the extent that any feature lines are illustrated, they are intended to illustrate the crest and valley of the feature and are not necessarily sharp bends in the part. Shading is used to illustrate the curvature of the part and not color. Areas shown in or sounded by broken lines are not claimed. The surface normally visible when the vehicle grille is attached to a vehicle is called the “Class A” surface is claimed. The surface not normally visible when the vehicle grille is attached to a vehicle is called the “Class B” surface and is not claimed. Any functional features of the vehicle grille are not claimed. Views are orthogonal projections unless otherwise noted. The various views are not necessarily to scale in order to better illustrate the design.

U.S. PATENT DOCUMENTS

- D532,724 S * 11/2006 Schiavone et al. D12/163
- D533,485 S * 12/2006 Schiavone et al. D12/163
- D533,815 S * 12/2006 Matei D12/163
- D535,589 S * 1/2007 Lau et al. D12/163
- D535,591 S * 1/2007 Schiavone D12/163

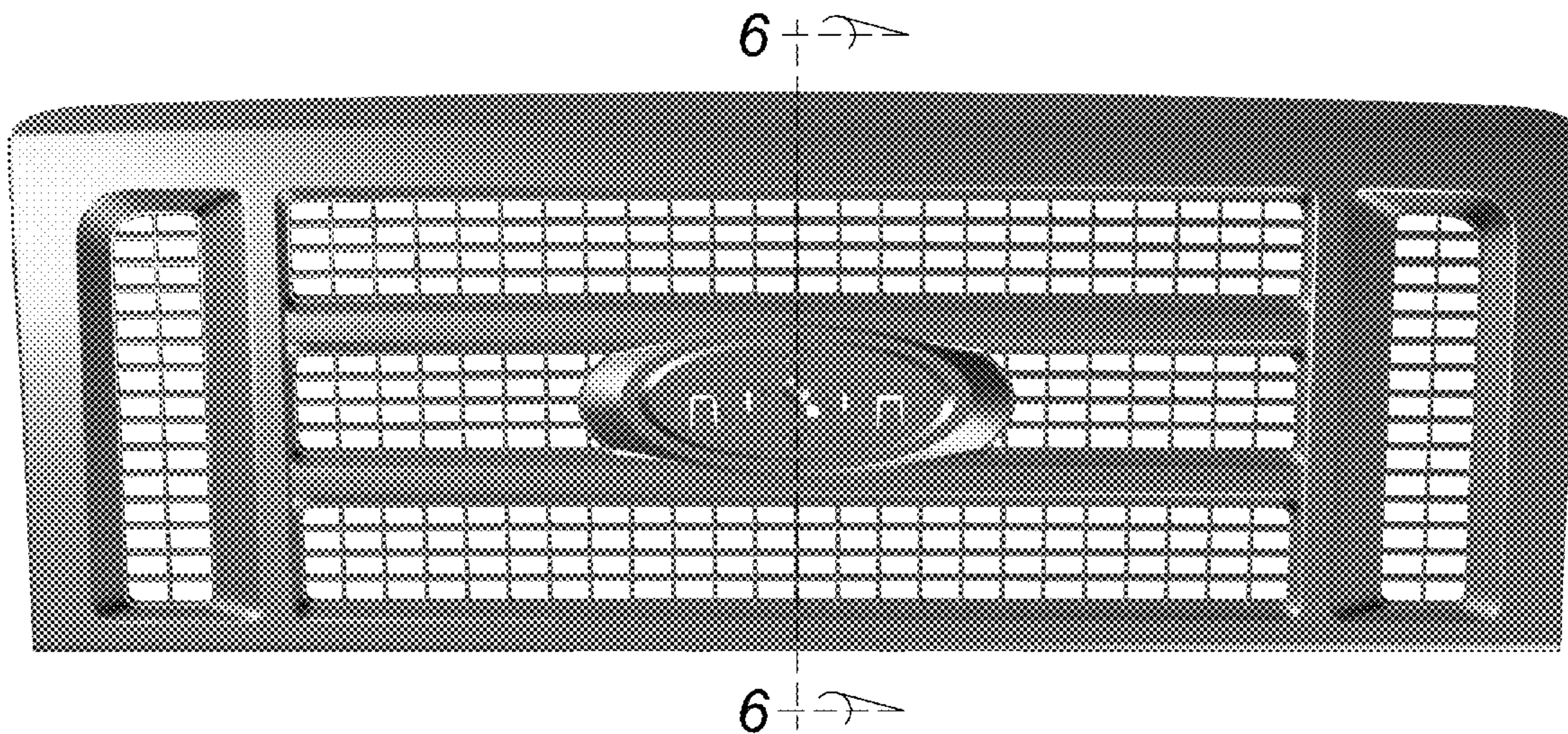
OTHER PUBLICATIONS

Ford F150 Lariat, Detroit 2006 (8 pages).
Ford F150 King Ranch, Detroit 2004 (9 pages).

* cited by examiner

Primary Examiner—Melody N. Brown

1 Claim, 7 Drawing Sheets



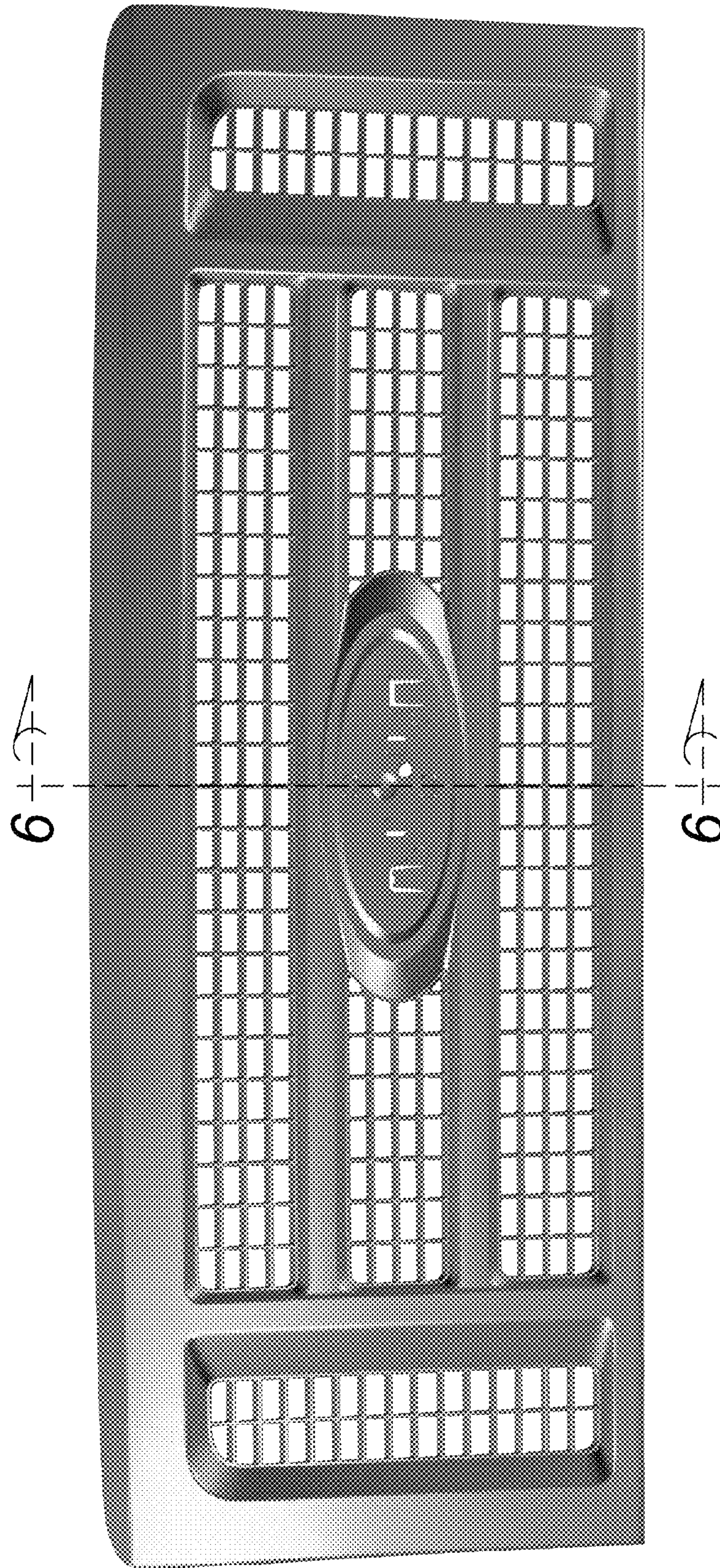


Figure 1

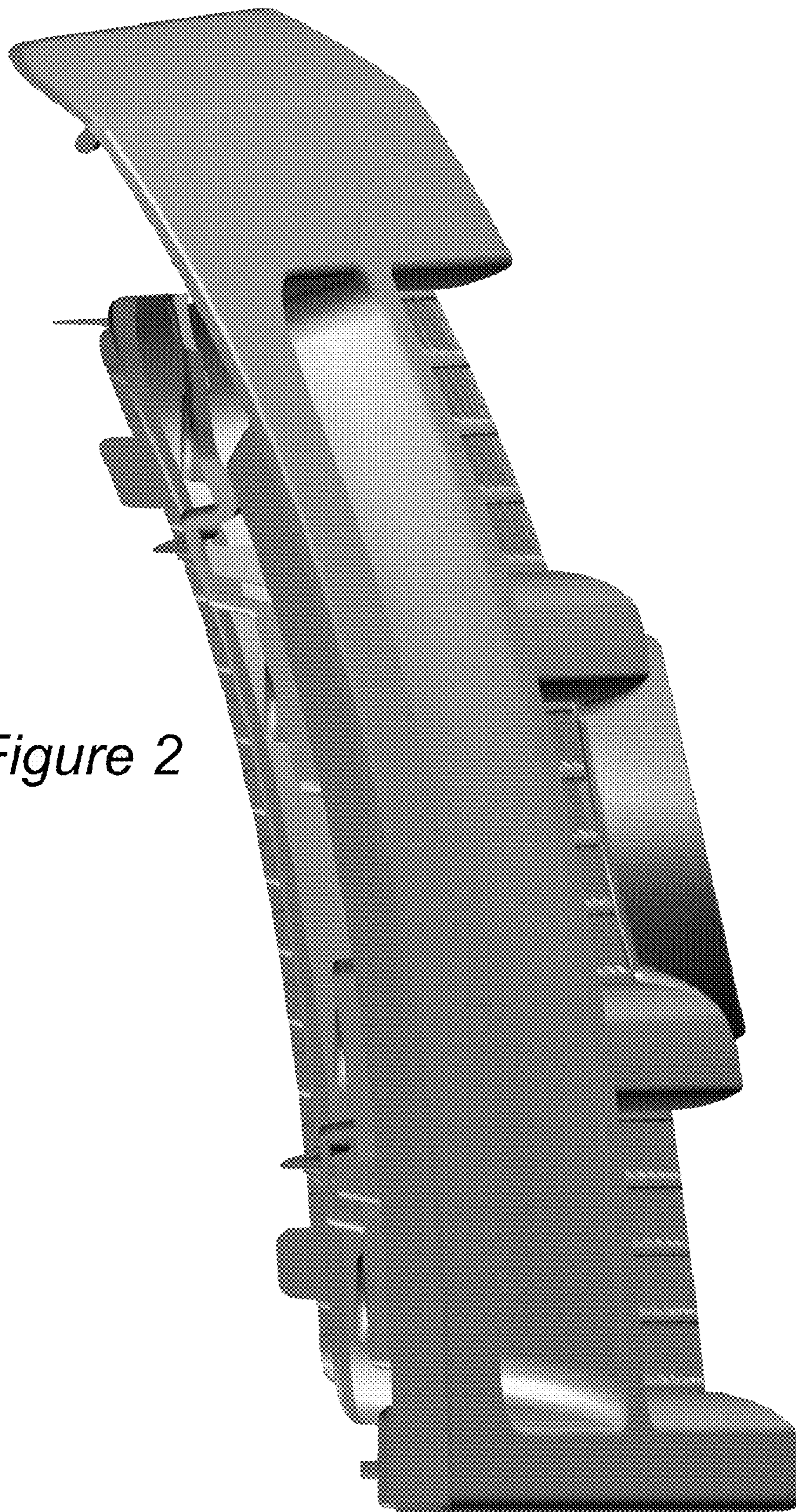


Figure 2

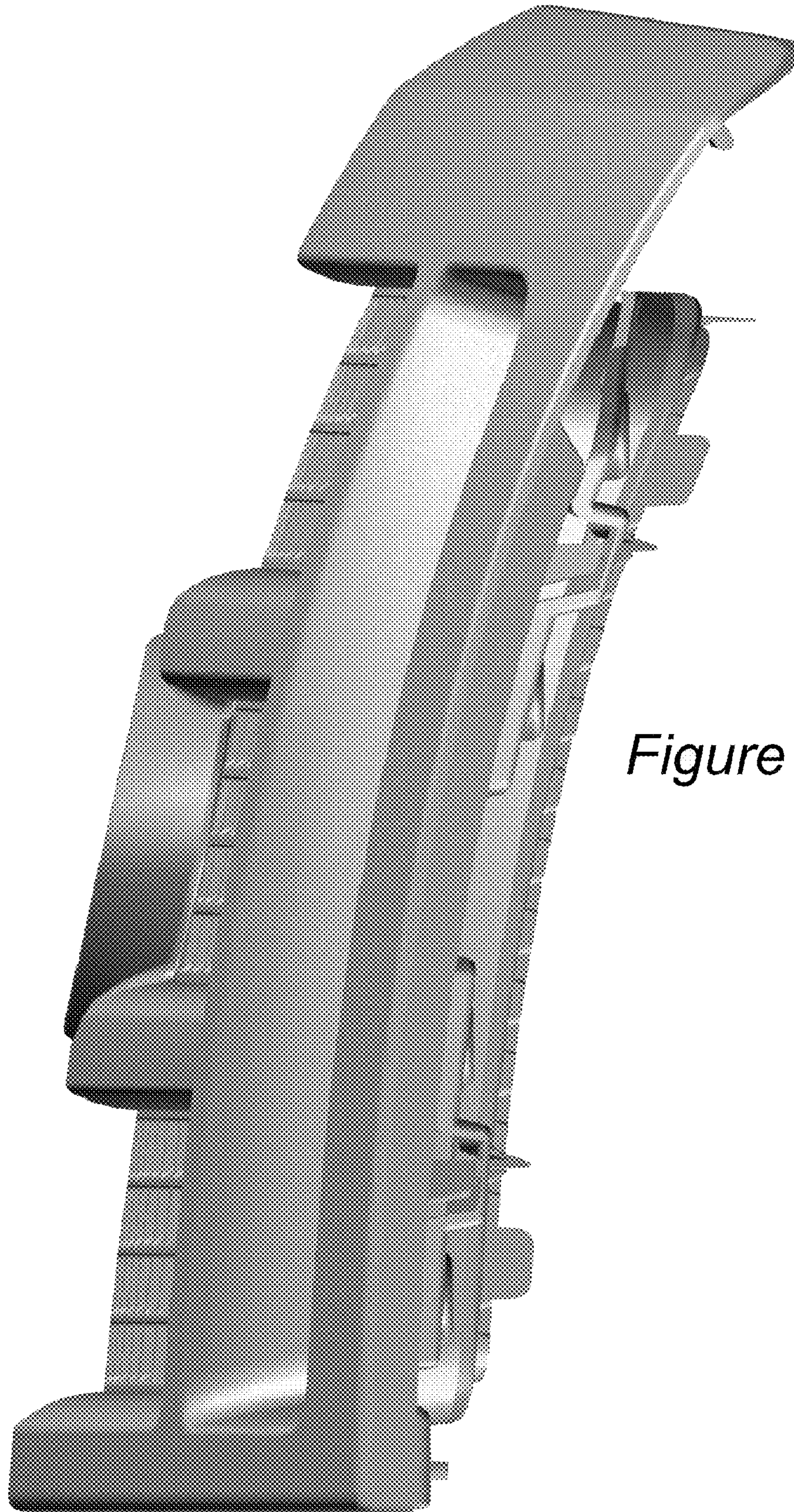


Figure 3

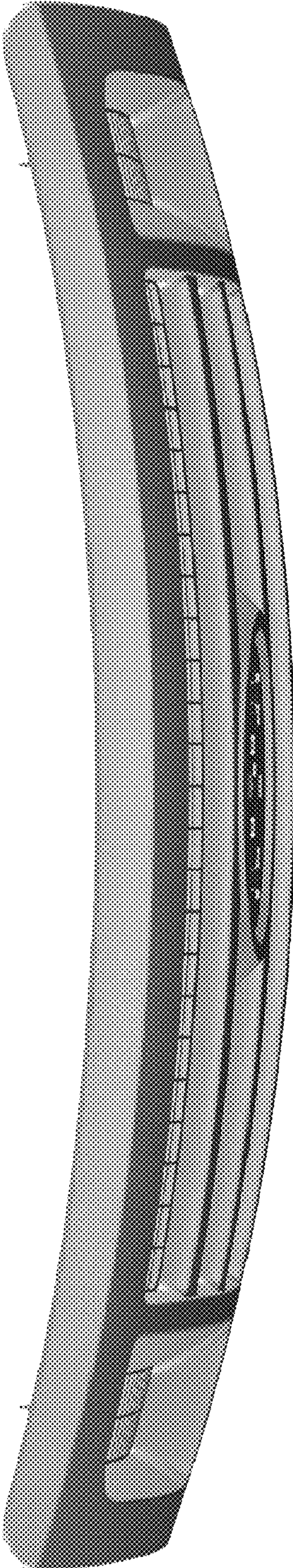


Figure 4

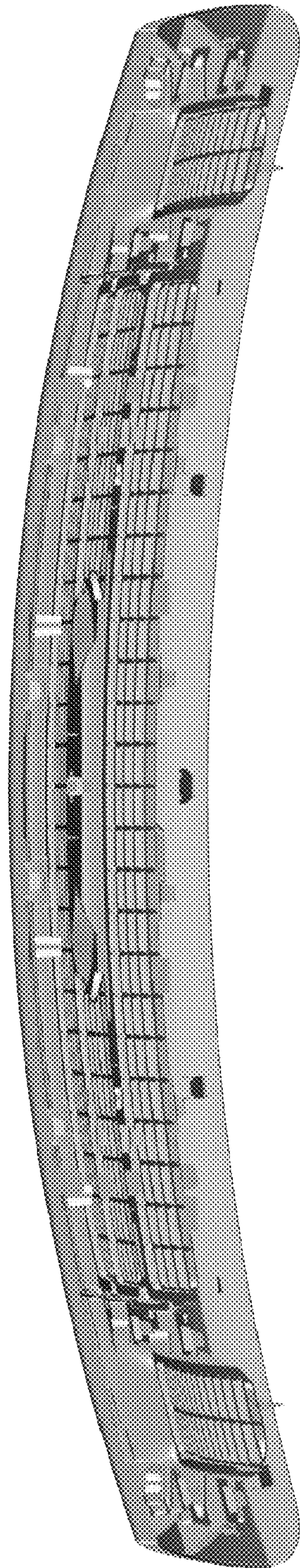


Figure 5

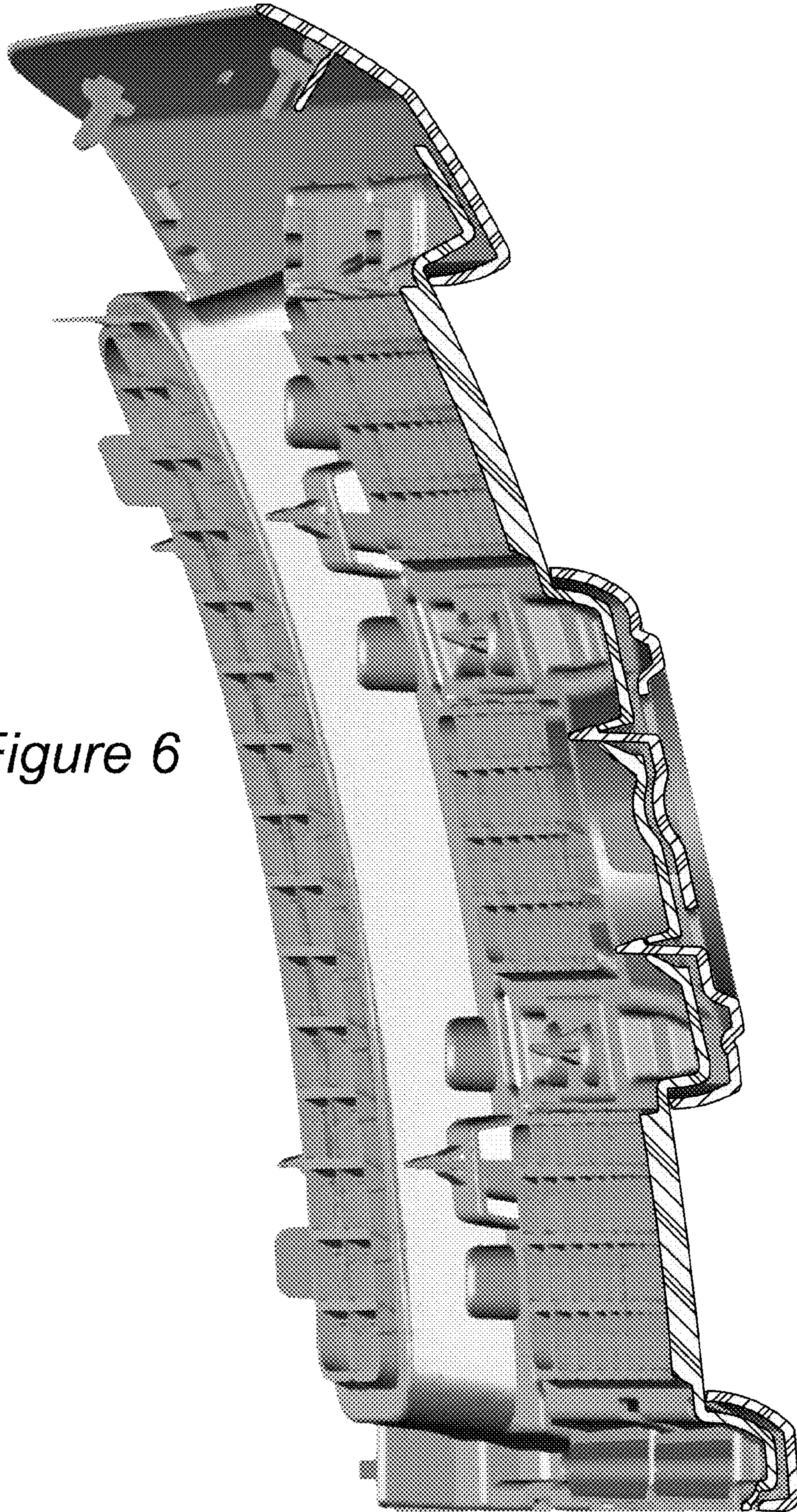


Figure 6

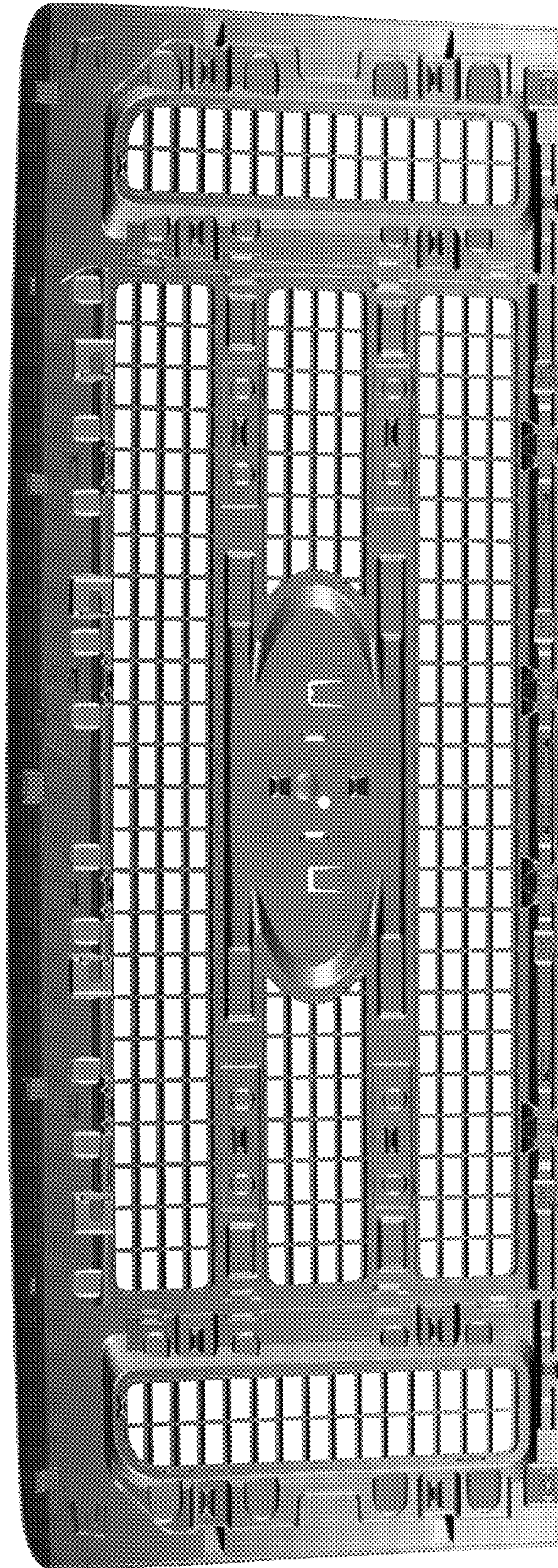


Figure 7