



US00D560566S

(12) **United States Design Patent**
Aris et al.

(10) **Patent No.:** **US D560,566 S**
(45) **Date of Patent:** **** Jan. 29, 2008**

(54) **VEHICLE GRILLE**

D545,728 S * 7/2007 Golden et al. D12/163

(75) Inventors: **Stephen Aris**, Ann Arbor, MI (US);
Bregt Ectors, Birmingham, MI (US);
Laurens Van Den Acker, Ann Arbor,
MI (US)

(73) Assignee: **Ford Global Technologies, LLC**,
Dearborn, MI (US)

(**) Term: **14 Years**

(21) Appl. No.: **29/246,006**

(22) Filed: **Dec. 13, 2005**

(51) **LOC (8) Cl.** **12-16**

(52) **U.S. Cl.** **D12/163**

(58) **Field of Classification Search** D12/163,
D12/171, 90-92, 216, 169, 196; 180/68.1,
180/68.6; 296/193.11; 293/102, 113, 115
See application file for complete search history.

(56) **References Cited**

U.S. PATENT DOCUMENTS

- D534,461 S * 1/2007 Mahoney et al. D12/163
- D535,221 S * 1/2007 Lau et al. D12/163
- D535,589 S * 1/2007 Lau et al. D12/163
- D536,284 S * 2/2007 Nakamura et al. D12/163
- D539,707 S * 4/2007 Golden et al. D12/163

OTHER PUBLICATIONS

MERCURY Mariner Hybrid—Face—New York 2005.
MERCURY Mariner 4wd V6—Face—Detroit 2004.

* cited by examiner

Primary Examiner—Melody N. Brown

(74) *Attorney, Agent, or Firm*—Damian Porcari

(57) **CLAIM**

The ornamental design for a vehicle grille, as shown and described.

DESCRIPTION

FIG. 1 is a front perspective view of a vehicle grille attached to a vehicle, no part of the vehicle is claimed;

FIG. 2 is a front elevational view of the vehicle grille;

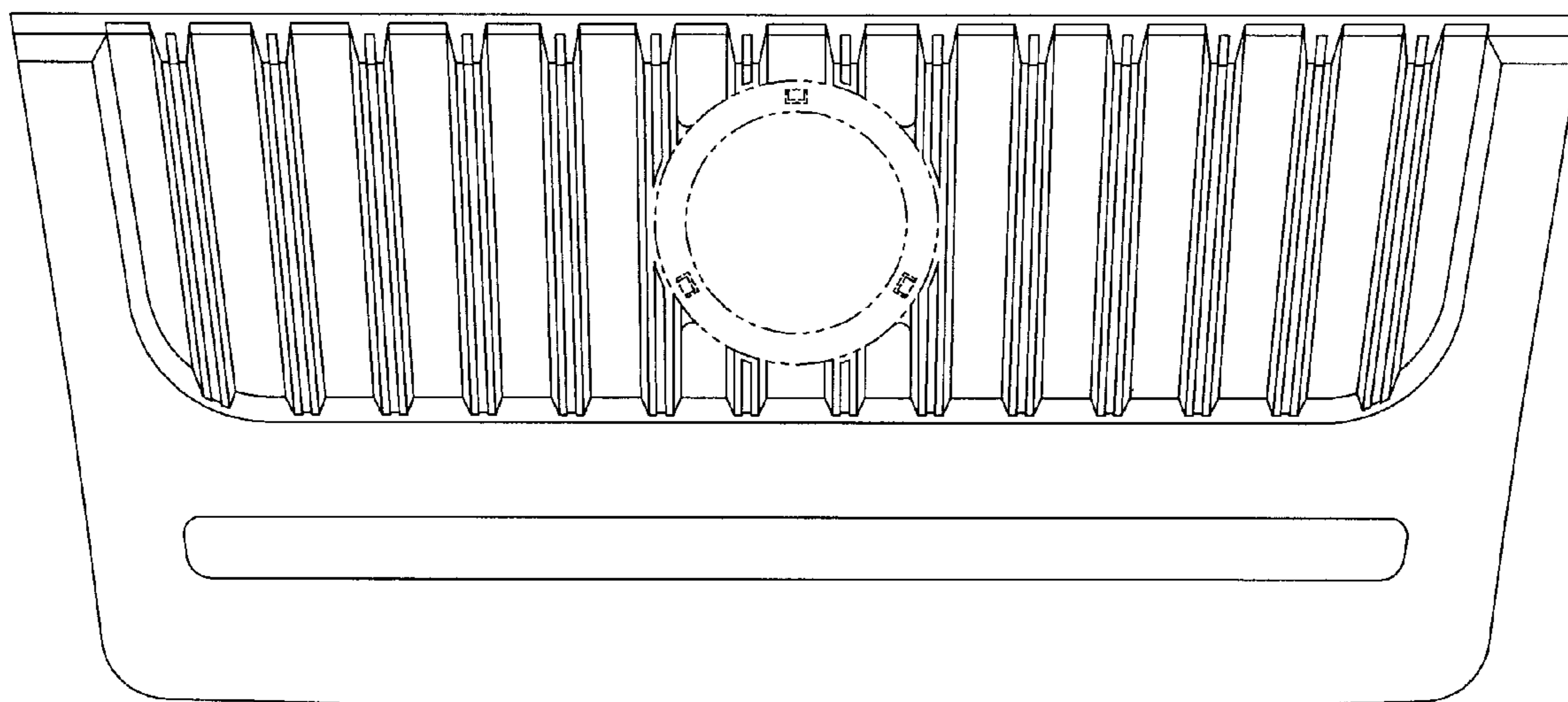
FIG. 3 is a top plan view of the vehicle grille; and,

FIG. 4 is a left side elevational view of the vehicle grille (the right side view is a mirror of the left side view and is not shown).

The broken lines are not a part of the claimed invention.

No part of the emblem-receiving plinth (shown in phantom) or the interface between the plinth and the vertical ribs is claimed.

1 Claim, 4 Drawing Sheets



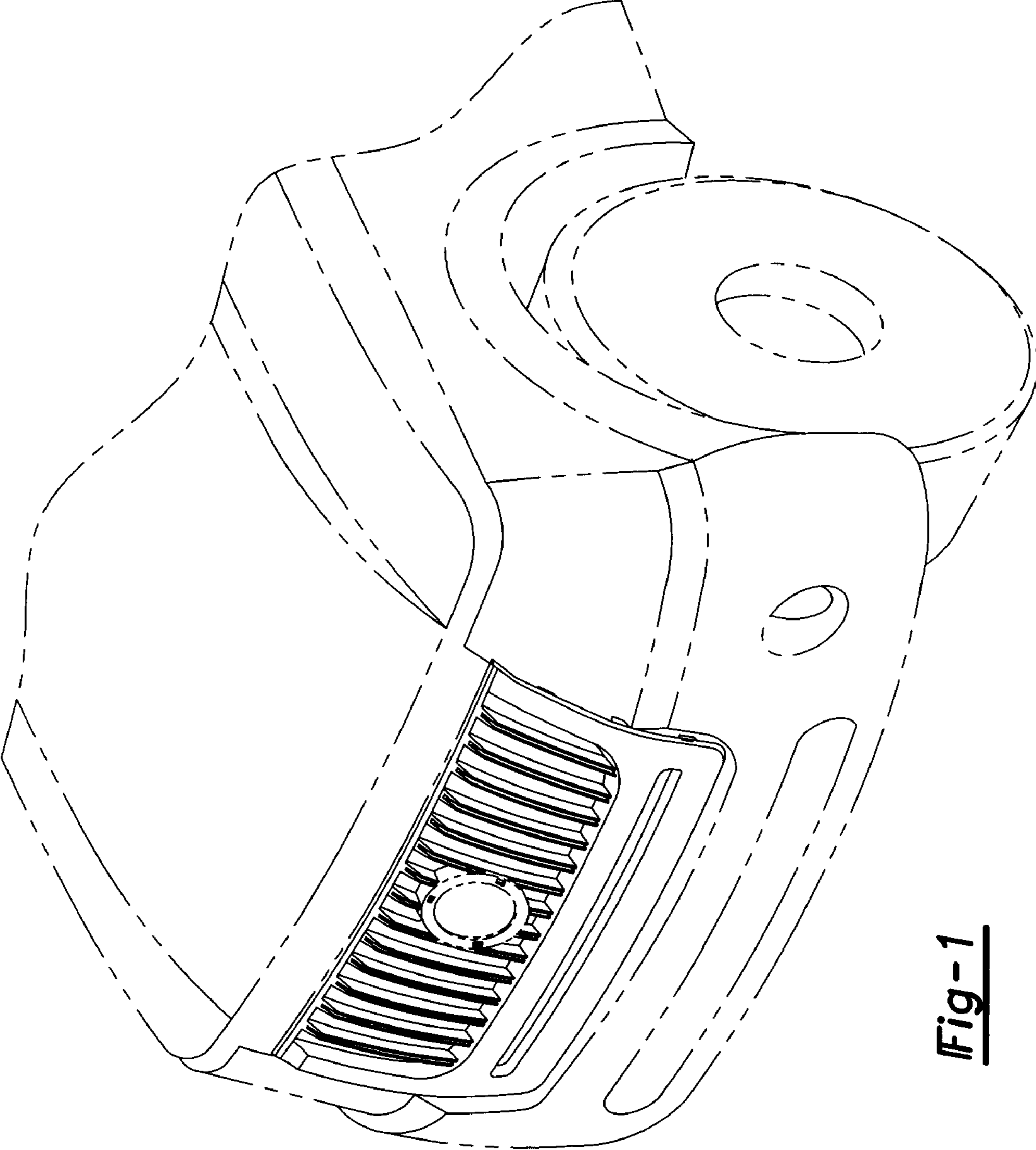


Fig-1

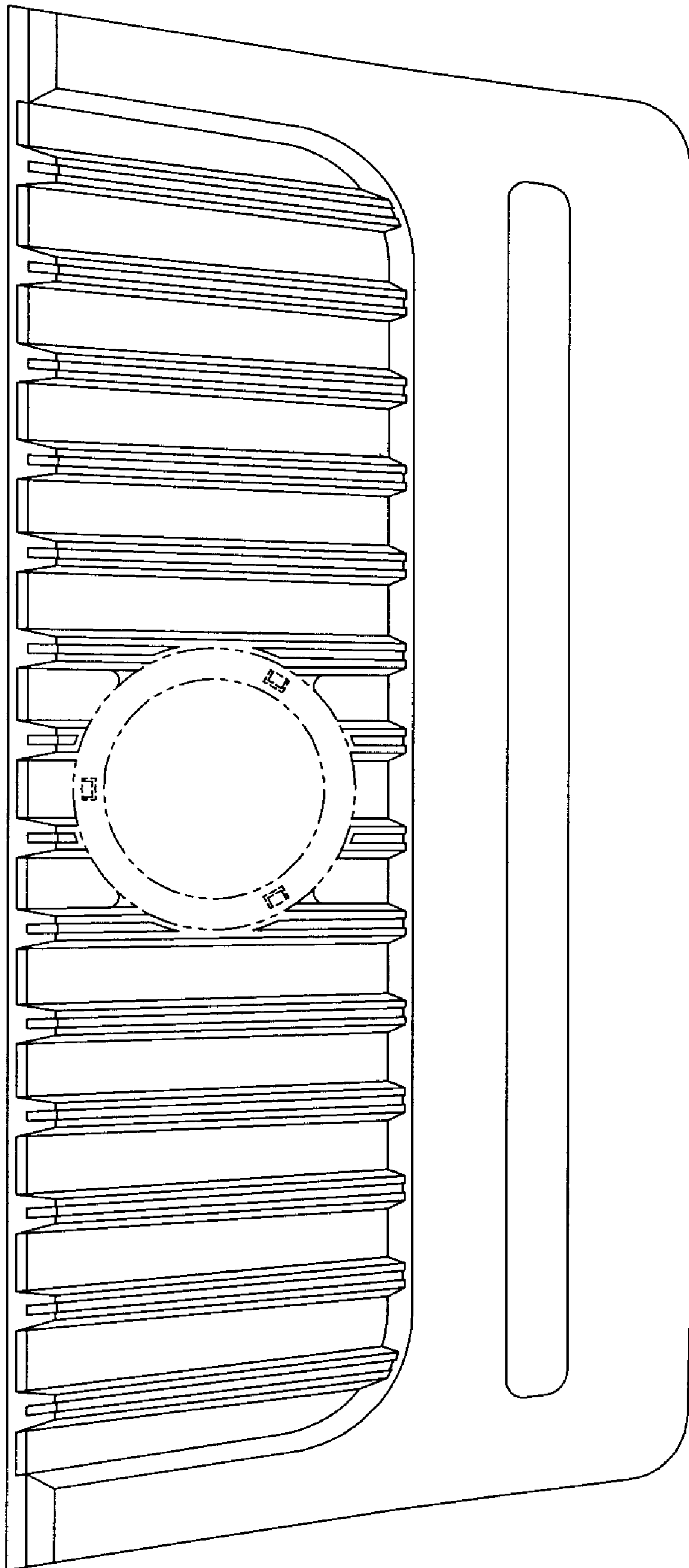


Fig-2

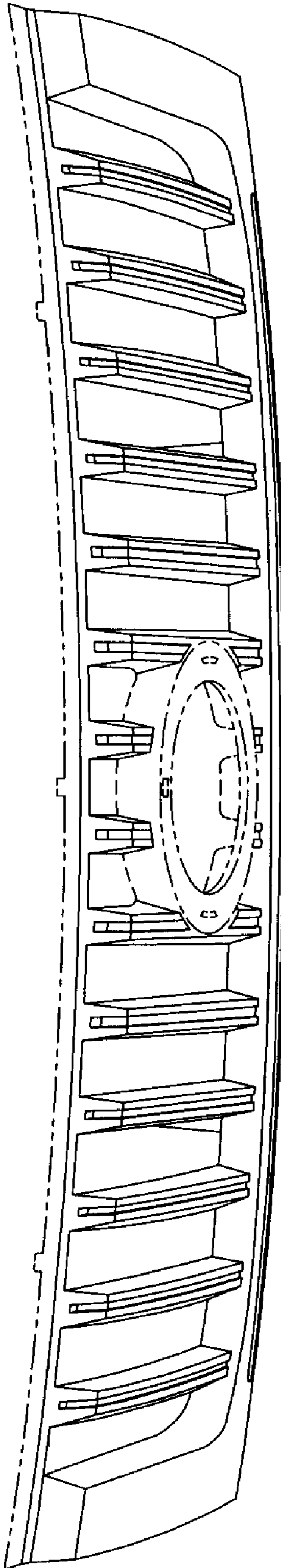


Fig-3

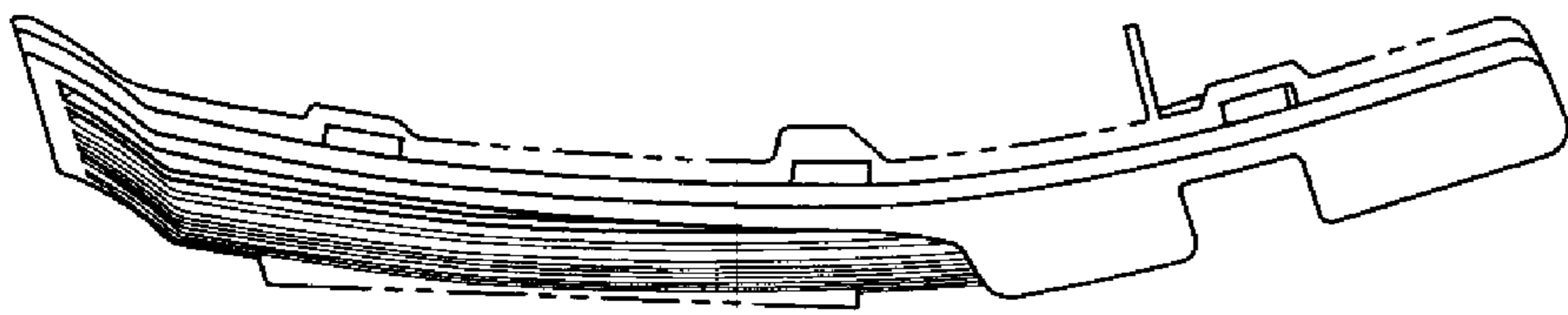


Fig-4